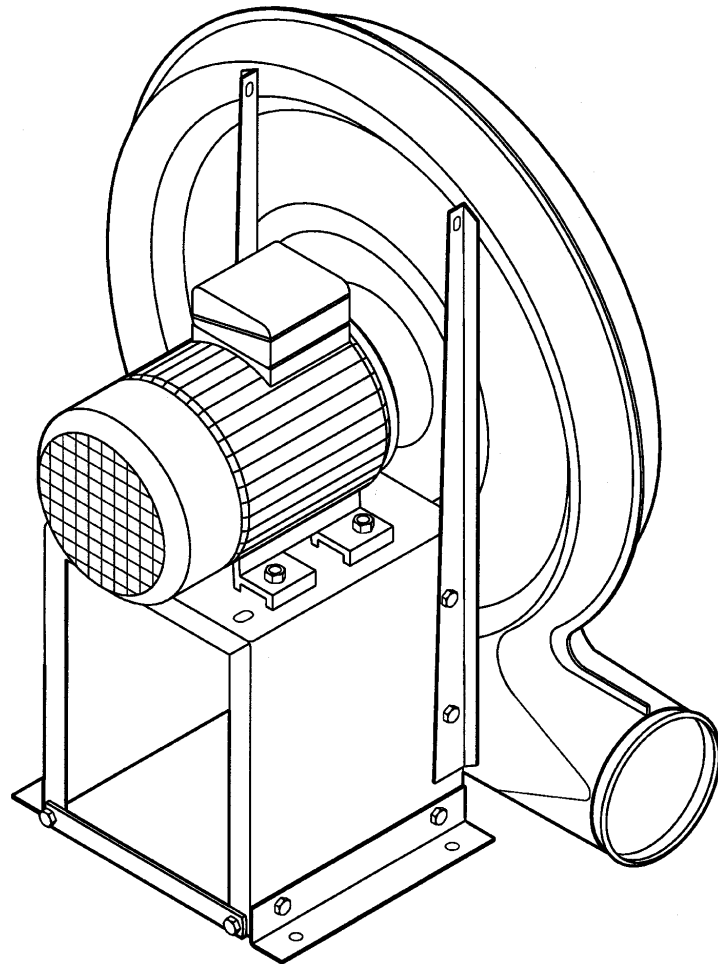


TRL 75

High pressure blower



Spare parts list

TRL 75 Special 150°C - Edelstahl 121 700 174
K95-4502331126 / Pos.10
0-901-76-546-9

TRL 75

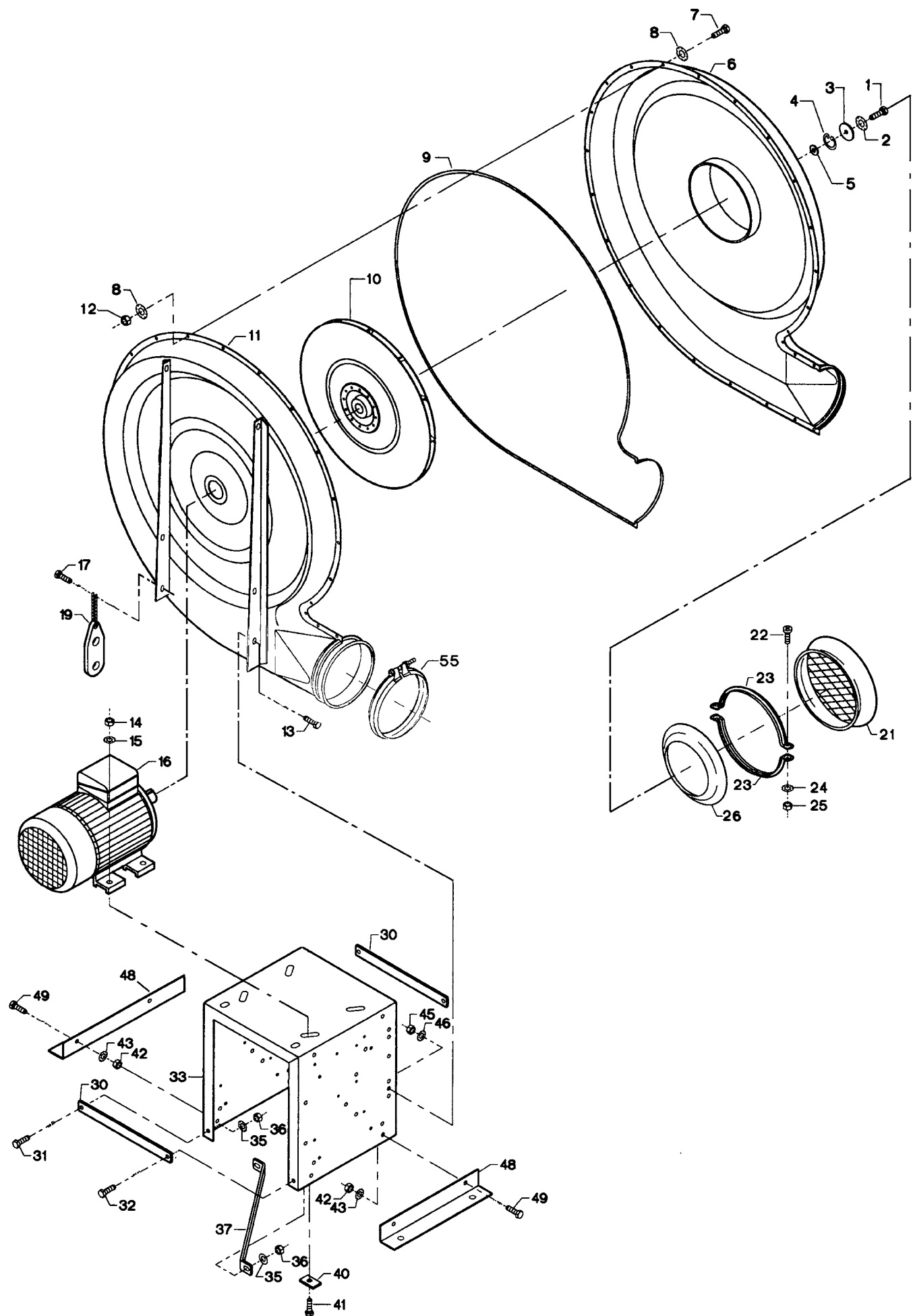


Fig.	Part no.	Pieces	Notes
1	100 350 011	1	Set screw M12 x 30 mm
2	100 350 041	1	Star washer M12
3	121 700 029	1	Flat washer
4	100 350 021	1	Circlip I38 x 1.5 mm
5	121 700 135	1	Flat washer
6	121 700 025	1	Set screw M6 x 12 mm Star washer M6 Sealing strip. Order 3.0 m
7	100 350 006	29	
8	100 350 007	58	
9	100 203 030	-	
10	121 700 027	1	
11	121 700 026	1	Nut M6 Screw M8 x 15 mm Nut M10 Star washer M10
12	100 350 008	29	
13	100 350 000	3	
14	100 350 019	4	
15	100 350 017	4	
16	100 501 237	1	Motor 132S1 - 5.5 kW - 50 Hz - B3, 250G R9018
17	100 350 009	1	
19	100 511 028	1	Crosshead screw M6 x 30 mm
21	121 700 031	1	
22	100 350 013	2	
23	121 700 032	2	
24	100 350 007	2	Star washer M6 Nut M6
25	100 350 008	2	
26	121 700 030	1	
30	121 700 035	2	
31	100 350 009	2	
32	100 350 010	2	
33	121 700 013	1	Star washer M8 Nut M8
35	100 350 002	2	
36	100 350 001	4	
37	121 700 034	1	
40	121 700 036	4	
41	100 350 014	4	
42	100 350 001	4	
43	100 350 002	4	
45	100 350 001	4	Nut M8 Star washer M8
46	100 350 002	4	
48	121 700 065	2	Screw M8 x 16 mm Bolt clamp OK160
49	100 350 000	4	
55	122 000 857	1	

Kongskilde Industries A/S

Tel. +45 33 68 35 00

mail@kongskilde-industries.com

www.kongskilde-industries.com