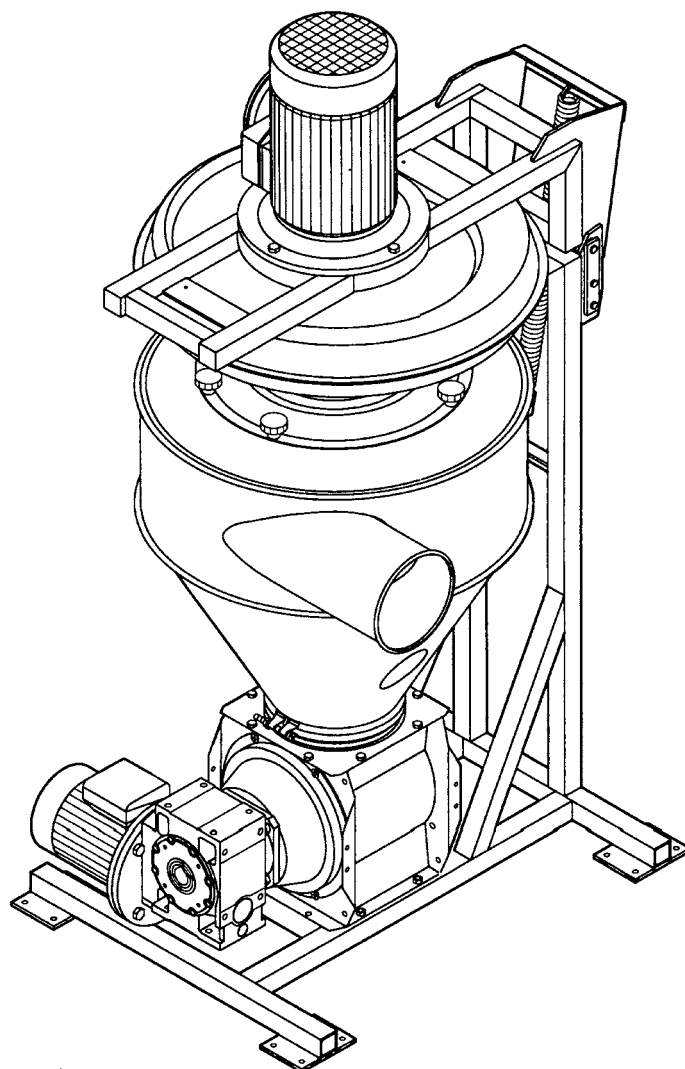


POLYVAC

Pneumatic conveying system



Spare parts list

POLYVAC

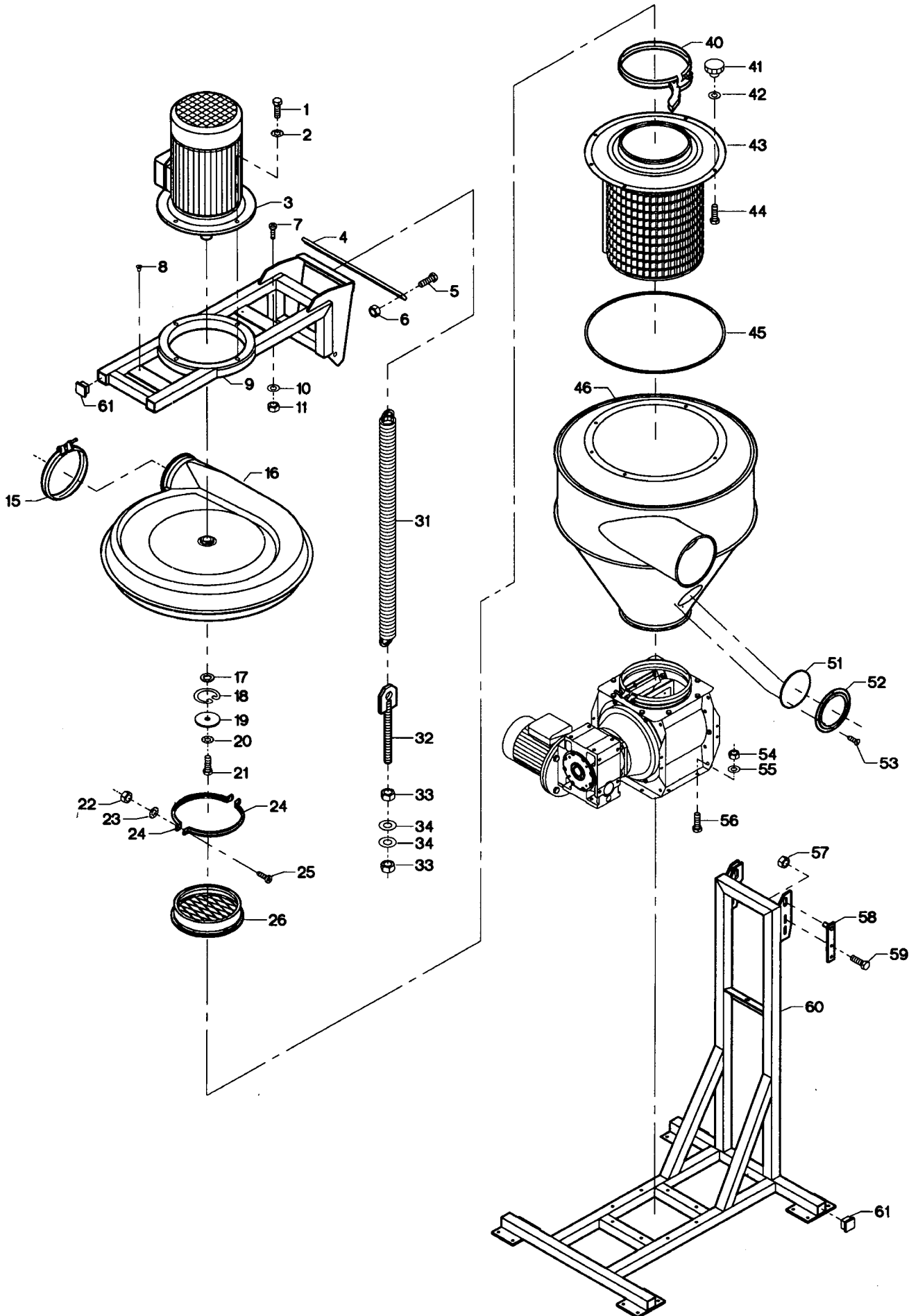


Fig.	Part no.	Pieces	Notes
1	100 306 044	4	Set screw M12 x 40 mm
2	100 332 005	4	Star washer M12
3	100 551 060	1	Motor 182TD-3 HP-460 V-60 Hz-3450-36F62105S2
	100 551 061	1	Motor 182TD-3 HP-575 V-60 Hz-3450-36F62300S2
	100 551 062	1	Motor 184TD-5 HP-460 V-60 Hz-3450-36F62X100
4	100 551 063	1	Motor 184TD-5 HP-575 V-60 Hz-3450-36F62X148
	123 110 050	1	
5	100 306 031	1	Set screw M10 x 35 mm
6	100 316 004	1	Lock nut M10
7	100 321 010	2	Crosshead screw M5 x 12 mm
8	100 334 015	2	Tubular rivet TLP/D- BS 639
9	123 110 031	1	
10	100 331 003	2	Washer M5, DIN 125A
11	100 316 063	2	Lock nut M5
15	122 000 599	1	Bolt with clamp OK160
16	121 010 134	1	
	121 030 051	1	
17	121 000 027	1	
18	100 407 001	1	Circlip ø28 x 1,2
19	121 000 060	1	Washer ø52/ø11 x 3 mm
20	100 332 004	1	Star washer M10
21	100 323 359	1	Set screw UNC 3/8" x 1-1/4"
22	100 315 028	2	Nut 8.8 M6
23	100 332 002	2	Star washer M6
24	121 000 727	2	
25	100 321 018	2	Crosshead screw M6 x 30 mm
26	121 000 763	1	
31	123 110 051	1	
32	123 110 044	1	
33	100 315 016	2	Nut M12
34	100 331 016	2	Washer M12
40	122 050 077	1	Quick release clamp OK200
41	100 414 050	5	
42	100 331 014	5	Washer M8
43	121 000 714	1	
44	100 308 002	5	Set screw M8 x 25 mm
45	121 100 303	1,3	
46	121 000 711	1	
51	121 000 090	1	
52	121 000 089	1	
53	100 323 011	4	Self-tapping screw 4.2 x 8 DIN 7981 C
54	100 316 003	8	Lock nut M8
55	100 331 014	8	Washer M 8
56	100 306 021	8	Screw 8.8 M8 x 50
57	100 316 003	4	Lock nut M8
58	123 110 047	2	Set screw M8 x 20
59	100 306 015	4	
60	123 110 020	1	
61	100 414 059	6	

Kongskilde Industries A/S

Tel. +45 33 68 35 00

mail@kongskilde-industries.com

www.kongskilde-industries.com