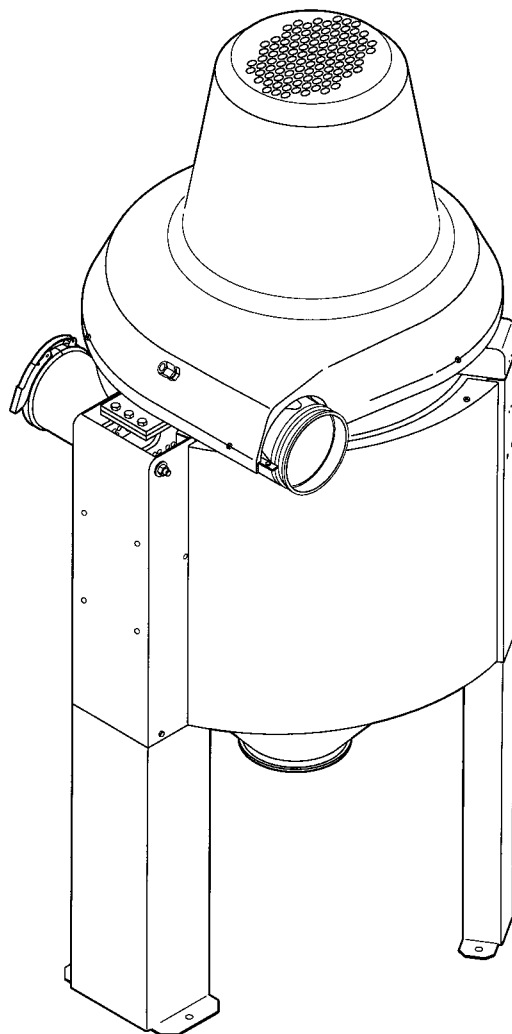


MultiEvacuator

Pneumatic conveying system



Spare parts list

MULTIEVACUATOR

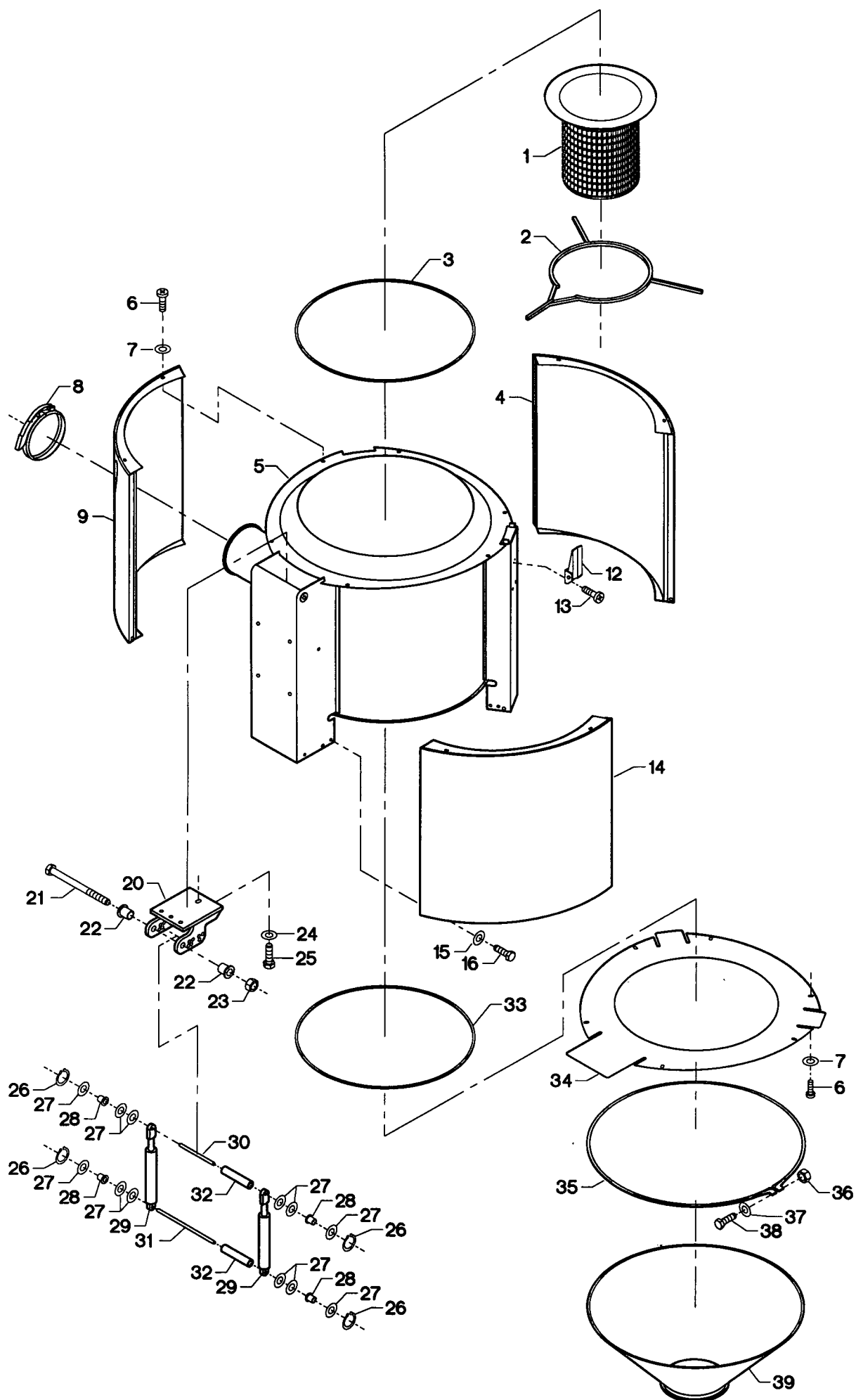


Fig.	Part no.	Pieces	Notes
1	123 100 075	1	Screen
2	123 100 060	1	Fittings
3	100 203 111	-	Order 1,76 m
4	123 100 098	1	Cover
5	123 100 051	1	Multivac housing
6	100 321 014	12	Crosshead screw M6 x 12 mm
7	100 331 004	12	Flat washer
8	122 000 800	1	Quick release clamp OKR160
9	123 100 097	1	Cover
12	123 100 087	2	Fittings
13	100 321 010	4	Crosshead screw M5 x 12 mm
14	123 100 099	1	Cover
15	100 331 004	6	Flat washer
16	100 308 018	6	Set screw M6 x 12 mm
20	123 100 033	1	Fittings
21	100 306 053	1	Bolt M12 x 220 mm
22	100 402 031	2	Slide bearing
23	100 316 005	1	Lock nut M12
24	100 331 006	1	Flat washer M10
25	100 308 004	1	Set screw M10 x 20 mm
26	100 407 050	4	Circlip $\varnothing 8 \times 0,8$ mm
27	100 331 005	20	Flat washer M8
28	123 100 089	4	Slide bearing
29	123 100 090	2	Gas spring
30	123 100 046	1	Axle
31	123 100 047	1	Axle
32	123 100 045	2	Spacing bush
33	100 203 111	-	Order 1,76 m
34	123 100 178	1	
35	123 100 042	1	Clamp
36	100 315 012	1	Nut M8
37	100 331 014	2	Flat washer M8
38	100 308 048	1	Set screw M8 x 100 mm
39	123 100 107	1	Hopper

MULTIEVACUATOR 50 HZ

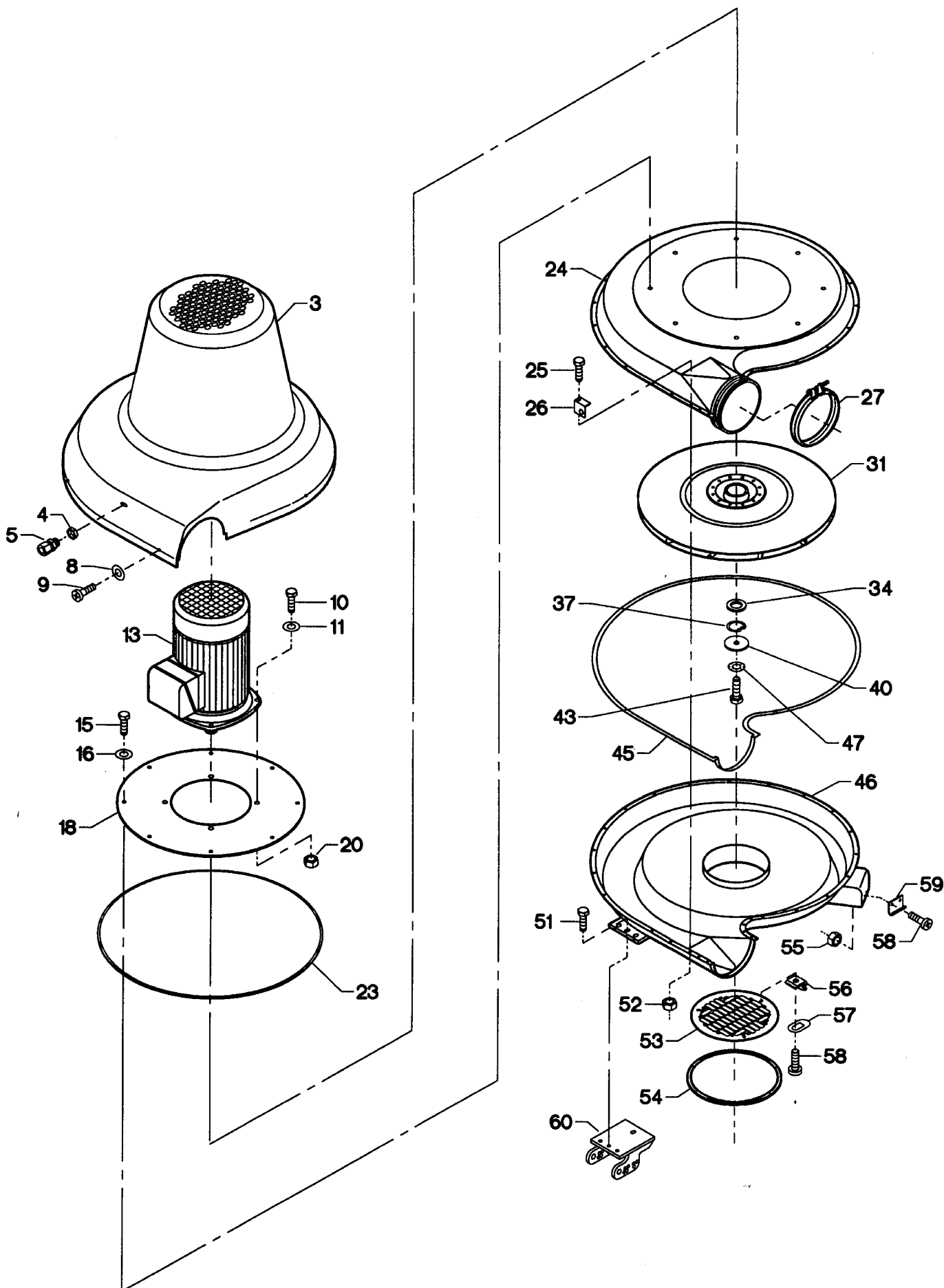


Fig.	Part no.	Pieces	Notes
3	123 100 021	1	Housing
4	100 511 130	1	Plast nut PG 13,5 IPON
5	100 511 129	1	PG 13,5 IPON
8	100 331 004	5	Flat washer M6
9	100 321 014	5	Crosshead screw M6 x 12 mm
10	100 306 030	4	Set screw M10 x 30 mm (For motor type K21R 90 S2)
	100 304 033	4	Set screw M12 x 35 mm (For motor type K21R 100 L2 and K21R 132 S2)
11	100 331 006	4	Flat washer M10 (For motor type K21R 90 S2)
	100 331 016	4	Flat washer M12 (For motor type K21R 100 L2 and K21R 132 S2)
13	100 501 073	1	Motor K21R 90 S2 1.5 kW-230/400 V-50 Hz-2800 rpm, B5
	100 501 140	1	Motor K21R 100 L2 3.0 kW-220 V-50 Hz-2800 rpm, B5
	100 501 132	1	Motor K21R 100 L2 3.0 kW-400/690 V-50 Hz-2800 rpm, B5
	100 501 088	1	Motor K21R 132 S2 5.5 kW-400/690 V-50 Hz-2800 rpm, B5
15	100 308 004	8	Set screw M10 x 20 mm
16	100 331 006	8	Flat washer M10
18	123 100 106	1	For motor type K21R 90 S2
	123 100 044	1	For motor type K21R 100 L2
	123 100 039	1	For motor type K21R 132 S2
20	100 316 004	4	Lock nut M10 (For motor type K21R 90 S2)
	100 316 005	4	Lock nut M12 (For motor type K21R 100 L2 and K21R 132 S2)
23	100 203 030	-	Order 1,2 m
24	123 100 050	1	Blower housing
25	100 323 041	5	Set screw M6 x 16 mm
	100 308 018	22	Set screw M6 x 12 mm
26	123 100 037	5	Clamp
27	122 000 599	1	Bolt clamp OK160
31	123 000 134	1	For motor type K21R 90 S2
	123 000 133	1	For motor type K21R 100 L2
	123 000 132	1	For motor type K21R 132 S2
34	113 010 075	1	For motor type K21R 90 S2
	123 100 086	1	For motor type K21R 100 L2
	121 000 070	1	For motor type K21R 132 S2
37	100 407 000	1	Circlip $\varnothing 24 \times 1,2$ mm (For motor type K21R 90 S2)
	100 407 001	1	Circlip $\varnothing 28 \times 1,2$ mm (For motor type K21R 100 L2)
	100 407 003	1	Circlip $\varnothing 38 \times 1,5$ mm (For motor type K21R 132 S2)
40	121 000 021	1	For motor type K21R 90 S2
	121 000 060	1	For motor type K21R 100 L2
	121 000 071	1	For motor type K21R 132 S2
43	100 306 017	1	Set screw M8 x 30 mm (For motor type K21R 90 S2)
	100 306 030	1	Set screw M10 x 30 mm (For motor type K21R 100 L2)
45	100 304 033	1	Set screw M12 x 35 mm (For motor type K21R 132 S2)
46	121 100 303	-	Sealing strip. Order 3,0 m
47	123 100 049	1	Blower housing
	100 332 003	1	Star washer M8
	100 332 004	1	Star washer M10
51	100 332 005	1	Star washer M12
52	100 308 004	3	Set screw M10 x 20 mm
53	100 316 075	27	Flange nut M6
54	123 100 103	1	Blower grill
	100 203 111	-	Order 0,8 m
55	100 316 063	4	Lock nut M5
56	121 000 402	3	Clamp
57	121 000 686	3	Clamp
58	100 321 010	7	Crosshead screw M5 x 12 mm
59	123 100 088	2	Fittings
60	123 100 033	1	Fittings

MULTIEVACUATOR 60 HZ

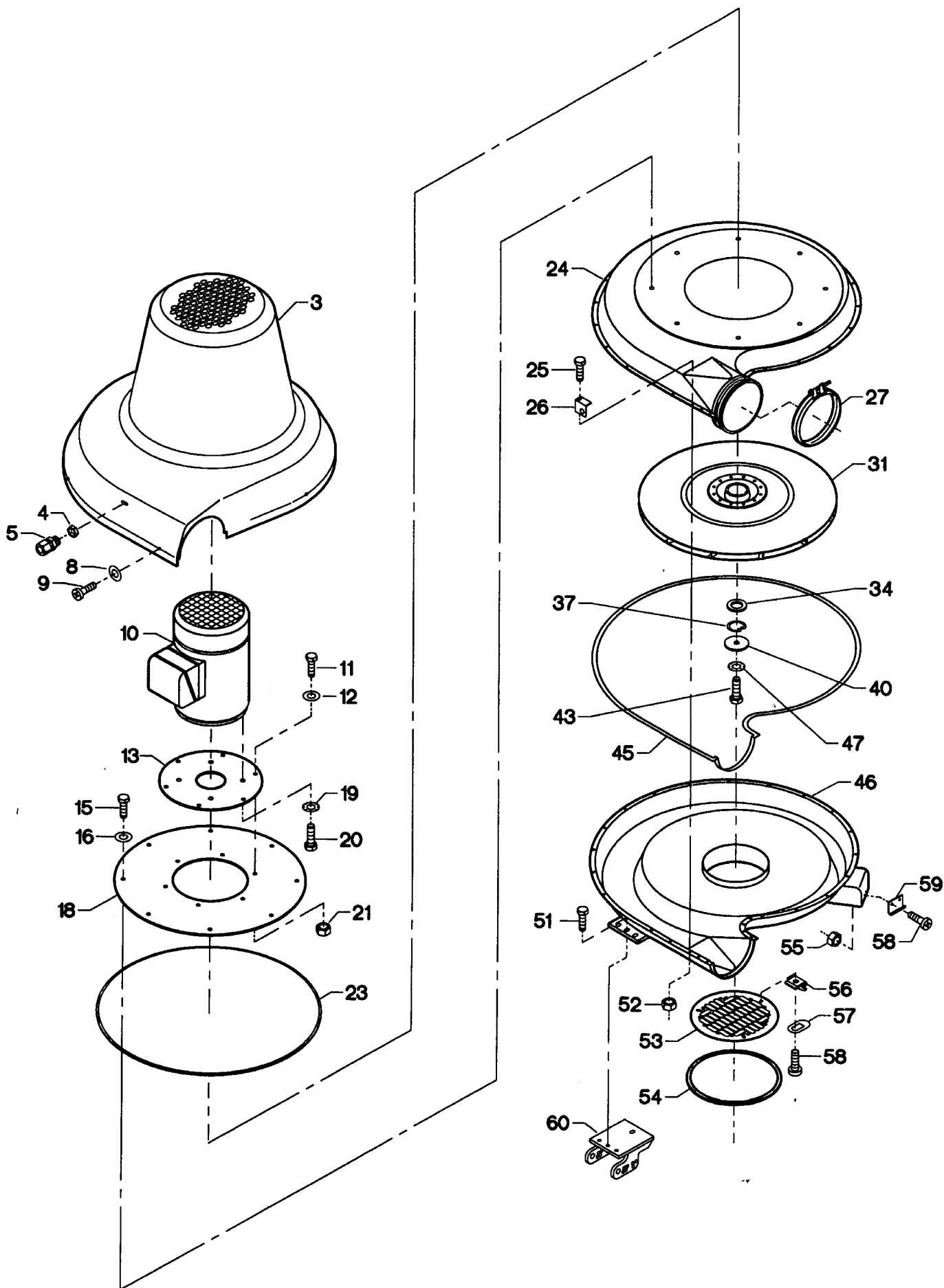


Fig.	Part no.	Pieces	Notes
3	123 100 021	1	Housing
4	100 511 130	1	Plast nut PG 13,5 IPON
5	100 511 129	1	PG 13,5 IPON
8	100 331 004	5	Flat washer M6
9	100 321 014	5	Crosshead screw M6 x 12 mm
10	100 551 064	1	Motor 182TC-3 HP-460 V-60 Hz-3450 rpm-VM3610T
	100 551 065	1	Motor 182TC-3 HP-575 V-60 Hz-3450 rpm-CEM3660T-5
	100 551 148	1	Motor 184TC-5 HP-460 V-60 Hz-3450 rpm-VM3613T
	100 551 147	1	Motor 184TC-5 HP-575 V-60 Hz-3450 rpm-VM3613T-5
	100 551 058	1	Motor 213TC-7.5 HP-460 V-60 Hz-3450 rpm-VM3709T
11	100 551 059	1	Motor 213TC-7.5 HP-575 V-60 Hz-3450 rpm-37A03Z40
	100 551 066	1	Motor 215TC-10 HP-400 V-60 Hz-3500 rpm-VM3711T
	100 551 040	1	Motor 215TC-10 HP-575 V-60 Hz-3500 rpm-37A03Z81
12	100 306 029	6	Set screw M10 x 25 mm
	100 331 006	4	Flat washer M10
13	123 100 110	1	For motor type 182TC, 184TC
	123 100 109	1	For motor type 213TC, 215TC
15	100 306 029	8	Set screw M10 x 25 mm
16	100 331 006	8	Flat washer M10
18	123 100 108	1	For Multivac 60 Hz
19	100 332 021	4	Star washer M12
20	100 323 357	4	Set screw UNC 1/2" x 1"
21	100 316 004	4	Lock nut M10
23	100 203 030	-	Order 1,2 m
24	123 100 050	1	Blower housing
25	100 323 041	5	Set screw M6 x 16 mm
	100 308 018	22	Set screw M6 x 12 mm
26	123 100 037	5	Clamp
27	122 000 599	1	Bolt clamp OK160
31	123 010 050	1	(For motor type 182TC)
	123 010 051	1	(For motor type 213TC)
	123 000 131	1	(For motor type 215TC)
34	121 000 027	1	(For motor type 182TC, 184TC)
	121 075 028	1	(For motor type 213TC, 215TC)
37	100 407 001	1	Circlip ø28 x 1,2 mm (For motor type 182TC, 184TC)
	100 407 008	1	Circlip ø35 x 1,5 mm (For motor type 213TC, 215TC)
40	121 000 060	1	(For motor type 182TC, 184TC)
	121 000 071	1	(For motor type 213TC, 215TC)
43	100 323 359	1	Set screw 3/8" x 1 1/4" (For motor type 182TC, 184TC)
45	100 323 358	1	Set screw 1/2" x 1 1/2" (For motor type 213TC, 215TC)
46	121 100 303	-	Sealing strip. Order 3,0 m
47	123 100 049	1	Blower housing
	100 332 004	1	Star washer M10 (For motor type 182TC, 184TC)
	100 332 021	1	Star washer M12 (For motor type 213TC, 215TC)
51	100 308 004	4	Set screw M10 x 20 mm
52	100 316 075	27	Flange nut M6
53	123 100 103	1	Blower grill
54	100 203 111	-	Order 0,8 m
55	100 316 063	4	Lock nut M5
56	121 000 402	3	Clamp
57	121 000 686	3	Clamp
58	100 321 010	7	Crosshead screw M5 x 12 mm
59	123 100 088	2	Fittings
60	123 100 033	1	Fittings

MULTIEVACUATOR

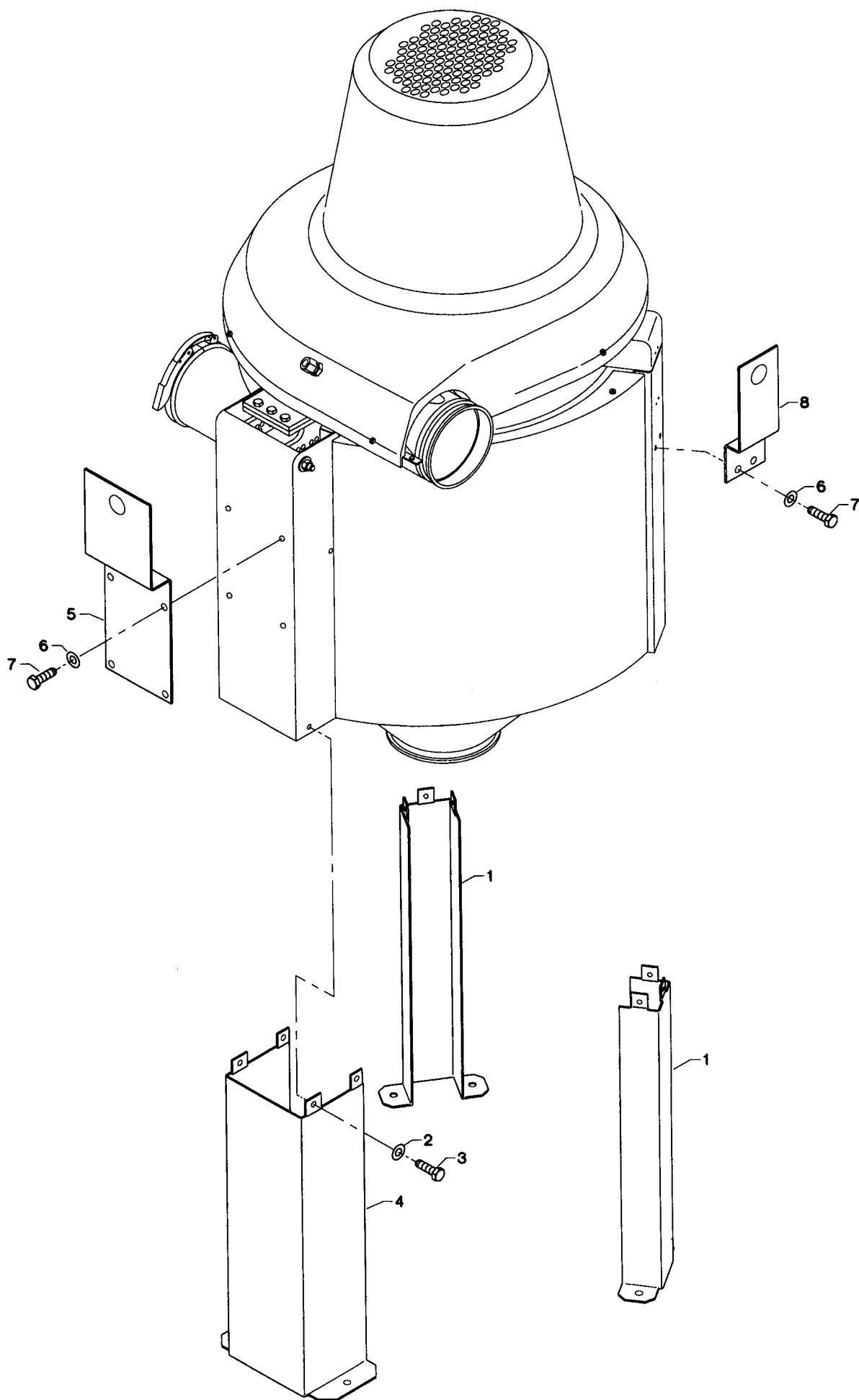


Fig.	Part no.	Pieces	Notes
1	123 100 076	2	Extensions legs
2	100 331 005	10	Flat washer
3	100 306 015	10	Set screw M8 x 20 mm
4	121 100 080	1	Extensions legs
Cpl:	123 100 015	1	
5	123 100 062	1	Lifting lugs
6	100 331 016	8	Flat washer M12
7	100 306 042	8	Set screw M12 x 25 mm
8	123 100 063	1	Lifting lugs

