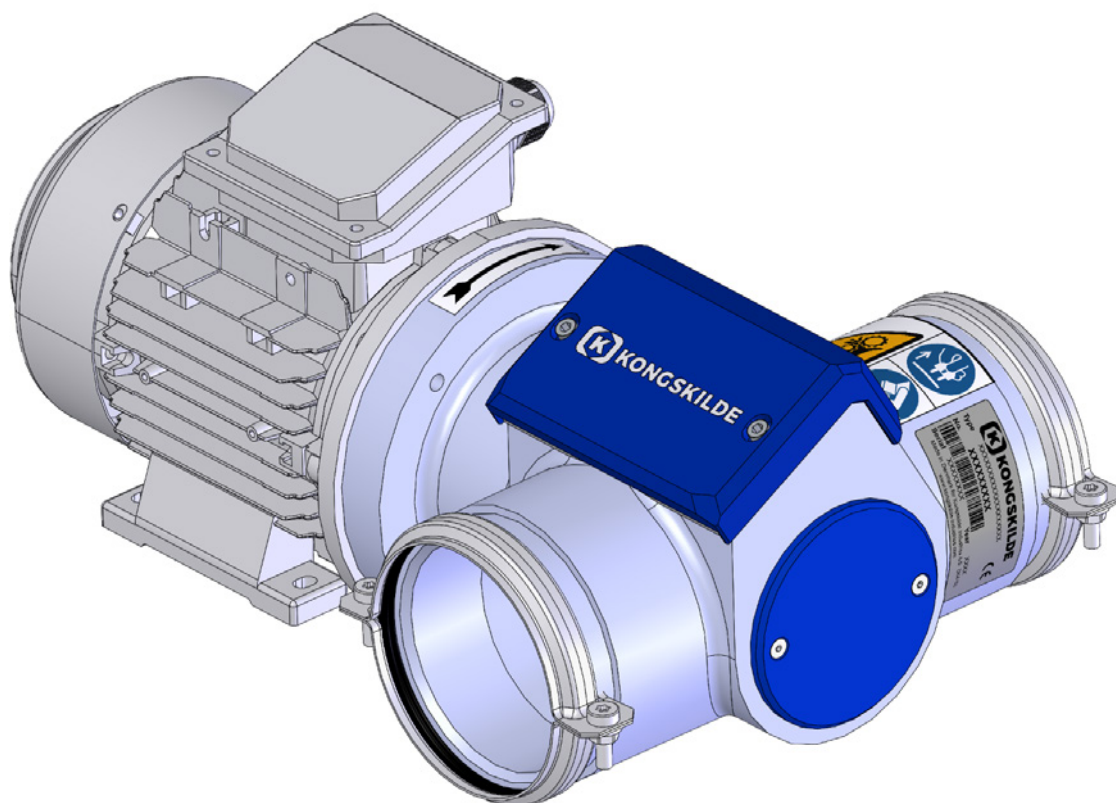
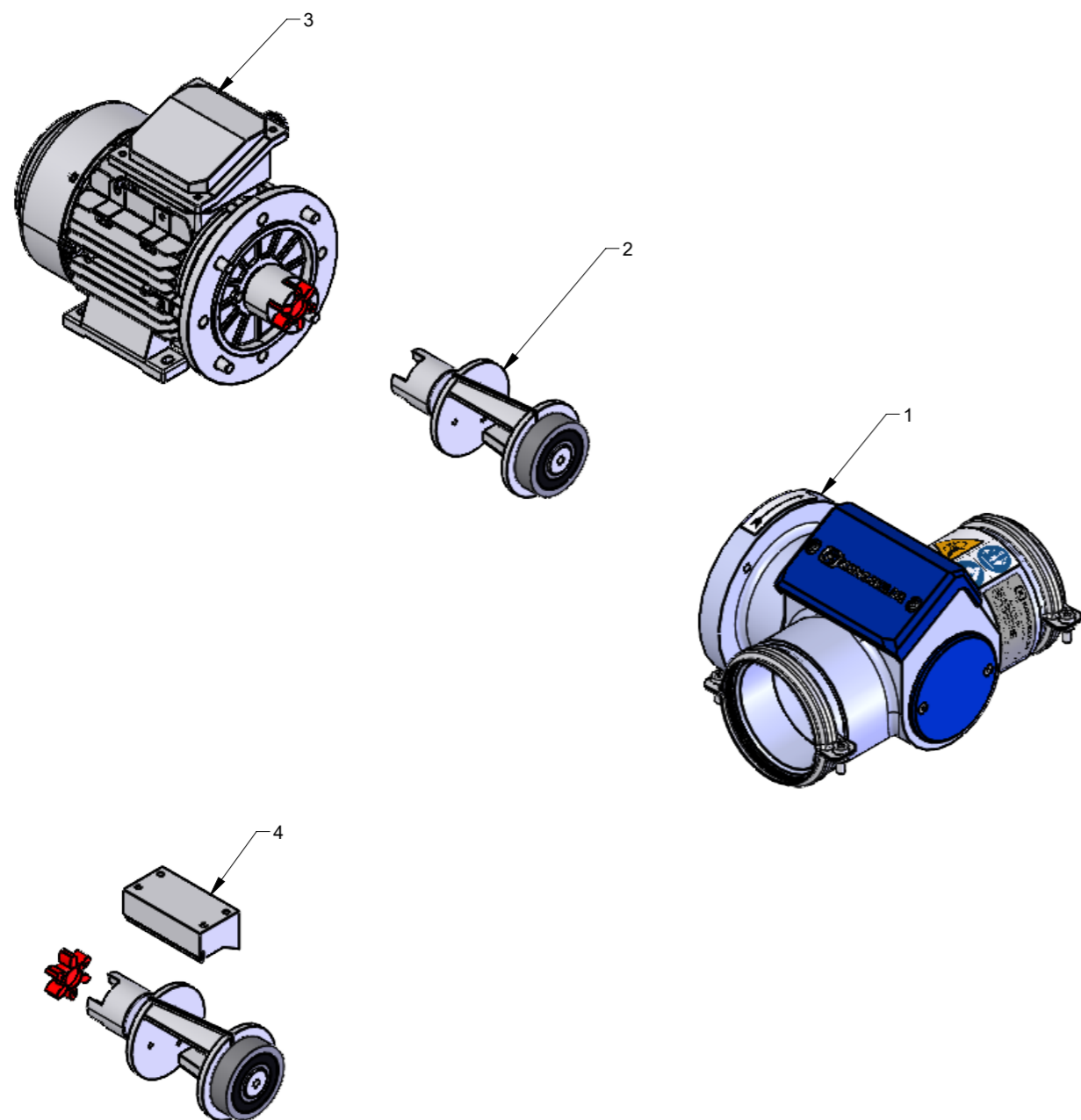


MCB 100

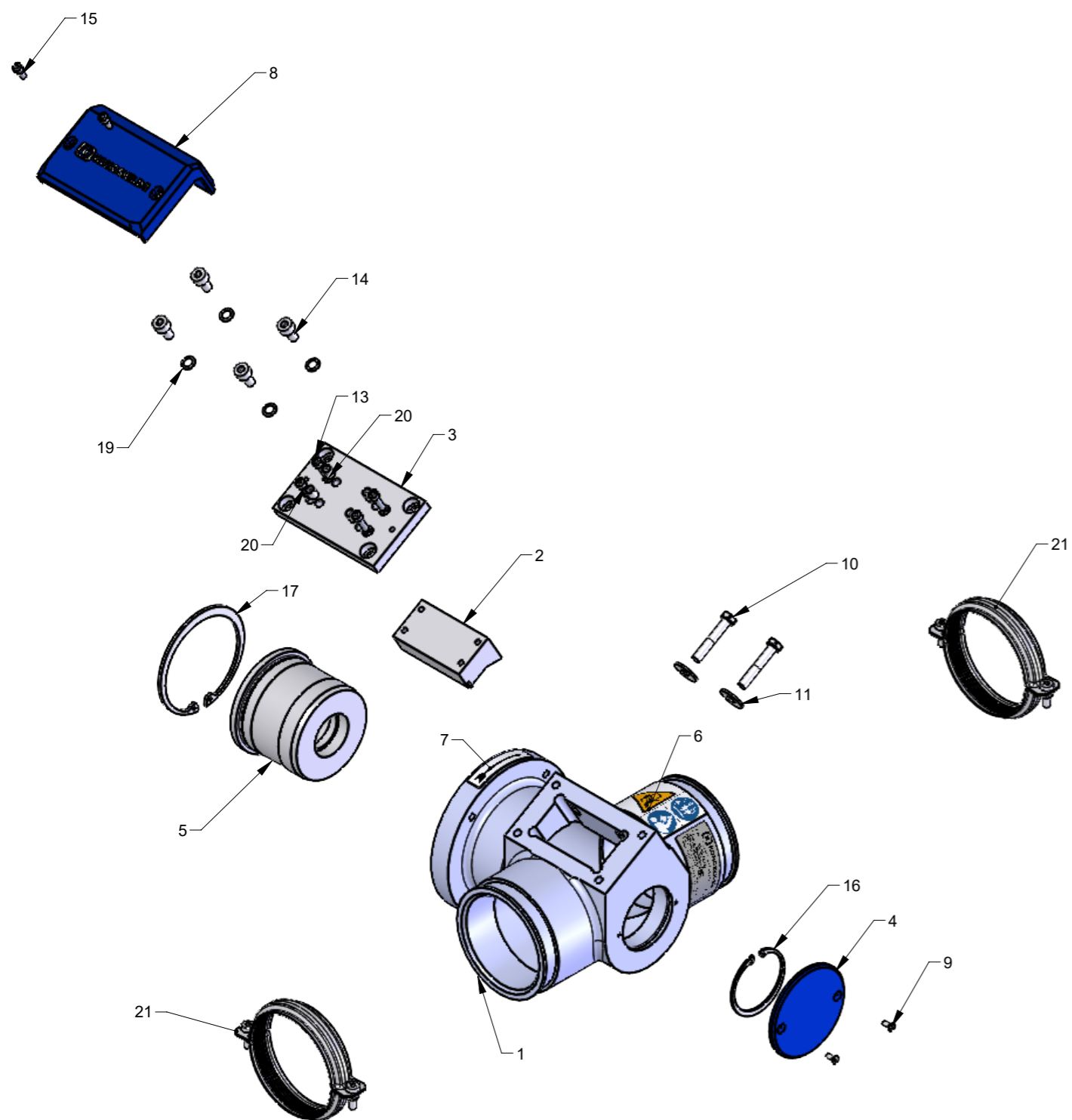
Cutter



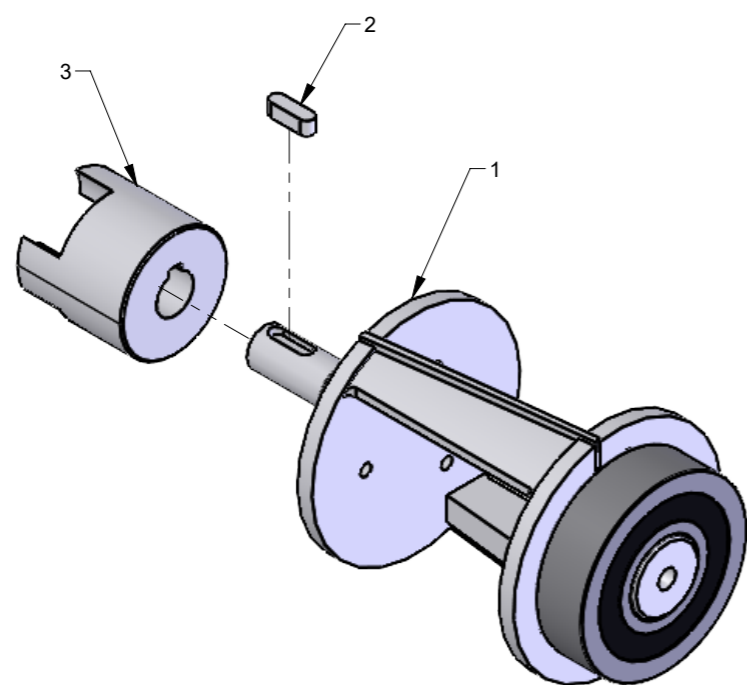
Spare parts list



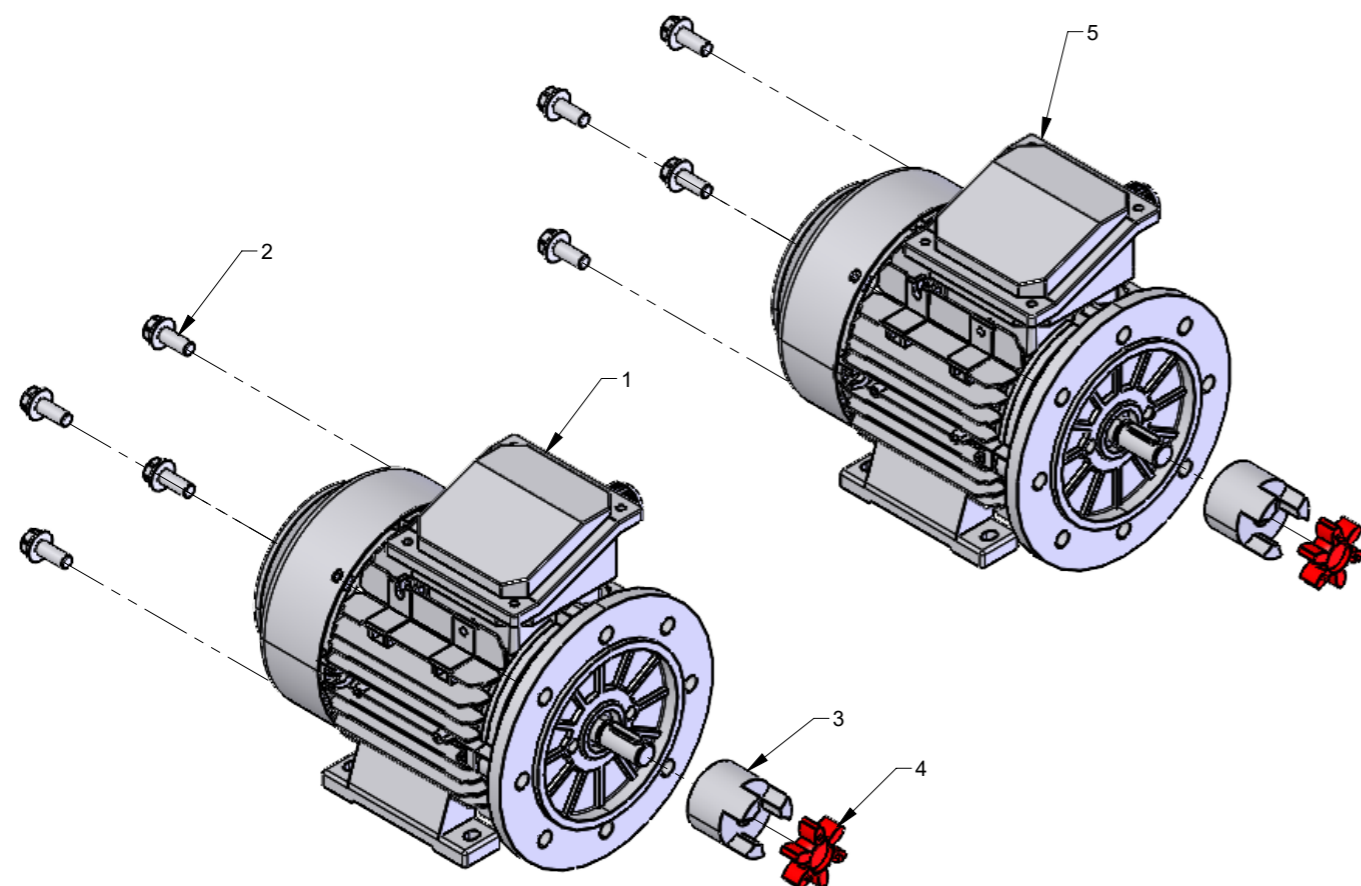
Pos.	Spare parts list - page	Description
1	1 146010910-04-05	Cutter housing
1	2 146010910-06-07	Rotors
1	3 146010910-08-09	Motor assemblies
1	4 146010910-10-11	Service- and refurbishment kits



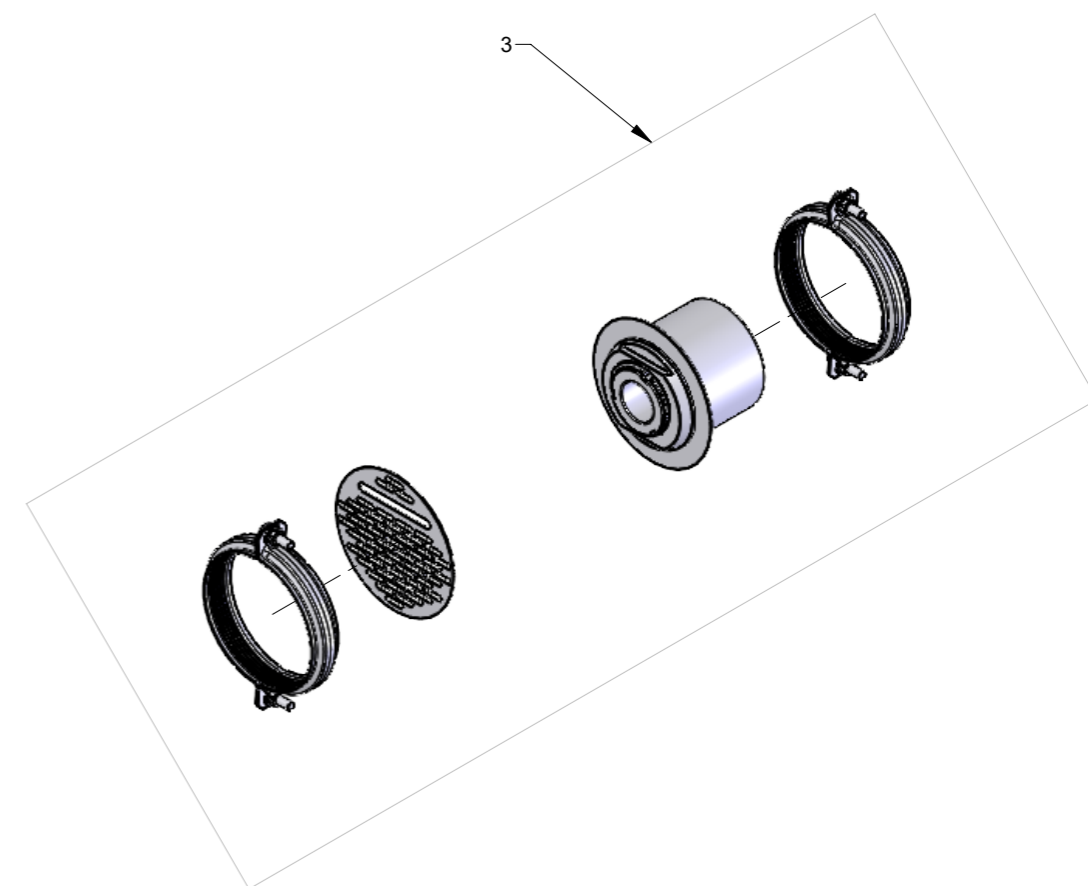
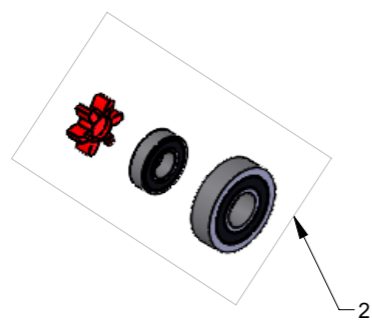
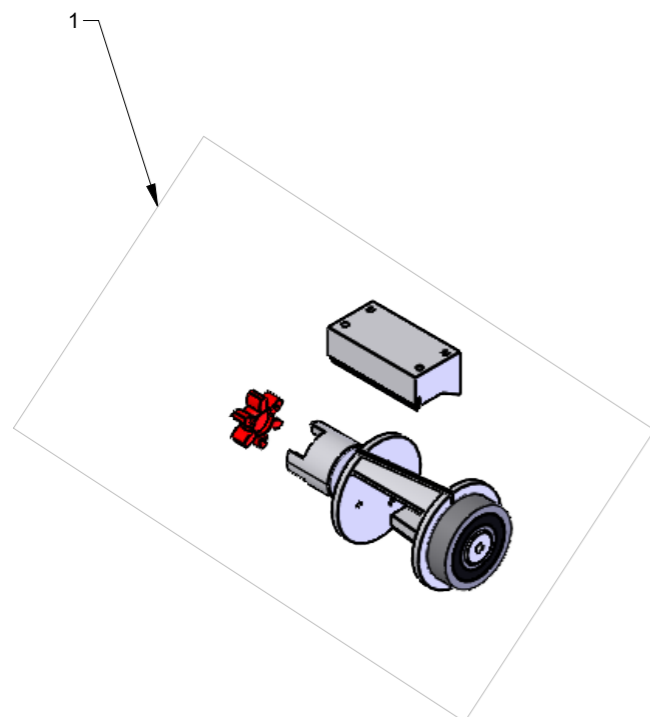
Pos.	Pcs.	Part no.	Description
1	1	146010202	Cutter housing for MCB 100, spaceblue
2	1	146010207	Fixed knife for MCB 100 cutter, grinded
3	1	146010210	Adjustment plate for fixed knife, for MCB 100 cutter
4	1	146010115	Bearing cover for MCB 160 cutter, blue
5	1	146010206	Bearing bushing for MCB 100 cutter
6	1	121000842	Label [Fingers/read manual/disconnect power] yellow/blue/black on white
7	1	121000325	Label [Arrow], black on white
8	1	146010211	Cover plate "Kongskilde" for MCB 100 cutter, blue/white
9	2	100323139	Countersunk screw M4x10
10	2	100306020	Screw M8x45 DIN 931 elgalv.
11	2	100331052	Washer M8 DIN9021A
12	4	100322034	Hex socket set screw M8x12 DIN 913
13	4	100323501	Hex socket head cap screw M5x20 DIN912
14	4	100309048	Socket head screw M8x16 ISO 4762 8.8 elgv
15	2	100323276	Screw M5x12 DIN 7984
16	1	100407055	Retaining ring I62x2 DIN 472
17	1	100407021	Retaining ring Ø100x3mm DIN472
18	1	101000416	Marking plate for salgnummer and serial number
19	4	100331106	Lock washer ribbed M8 (Ø8,4/Ø13x0,8mm)
20	4	100331105	Lock washer ribbed M5 (Ø5,3/Ø9x0,6mm)
21	2	122040190	OK 100 bolt clamp



Pos.	Pcs.	Part no.	Description
1	1	146010203	Rotor with knives for MCB 100-2 cutter, grinded
2	1	100405050	Key A5x5x16 DIN 6885
3	1	100426090	Coupling halfpart Ø14 19/24B



Pos.	Pcs.	Part no.	Description
1	1	100501351	AC Motor 71-4p B35 0,55(0,63)kW 3x230/400(460)V 50(60)Hz UL/CSA
2	4	100323380	Flange set screw M8 x 20mm DIN 6921, elgalvanized
3	1	100426090	Coupling halfpart Ø14 19/24B
4	1	100426086	Coupling PUR element Sh98 Ø19/24 red
5	1	100501352	AC Motor 71-2p B35 0,55(0,63)kW 3x230/400(460)V 50(60)Hz UL/CSA



Pos.	Pcs.	Part no.	Description
1	1	146010603	MCB 100-2 cutter service kit (rotor, fixed knife, bearings and rotor coupling part with plastic part)
2	1	146010604	MCB 100-2 cutter refurbishment (new bearings and coupling plastic part and grinding & adjustment of knives)
3	1	146010600	MCB 100 adjustment kit (mandatory at any cutter adjustment)

Kongskilde Industries A/S
Skælskørvej 64
DK - 4180 Sorø
Tel. +45 72 17 60 00
mail@kongskilde-industries.com
www.kongskilde-industries.com

