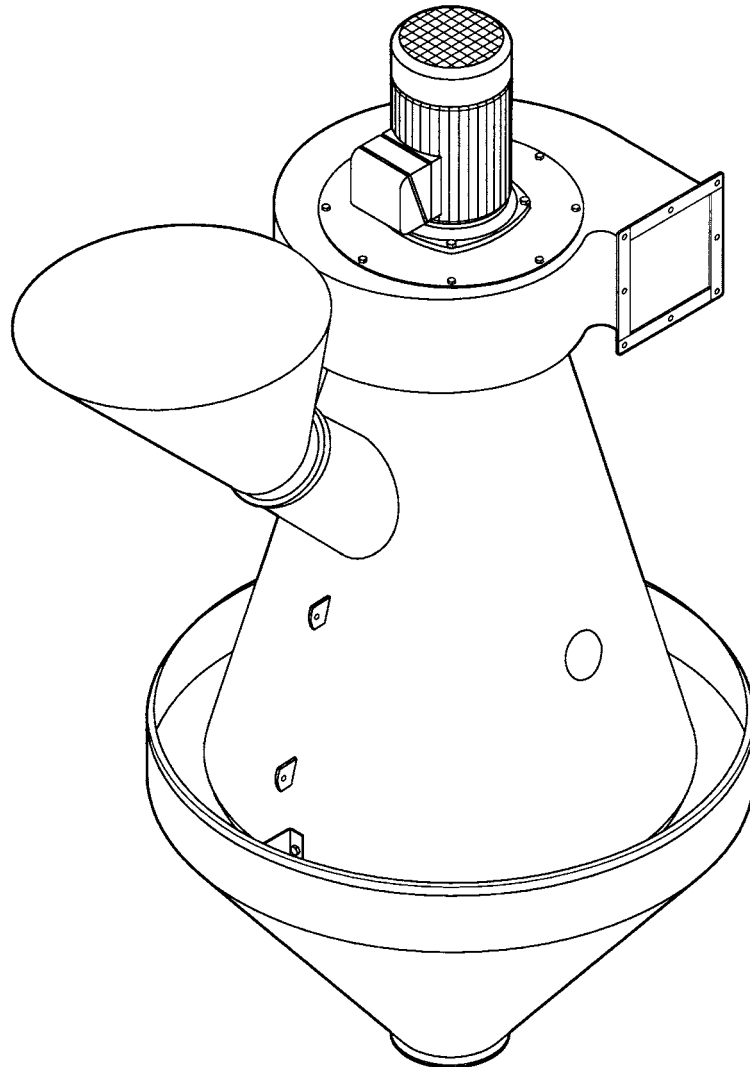
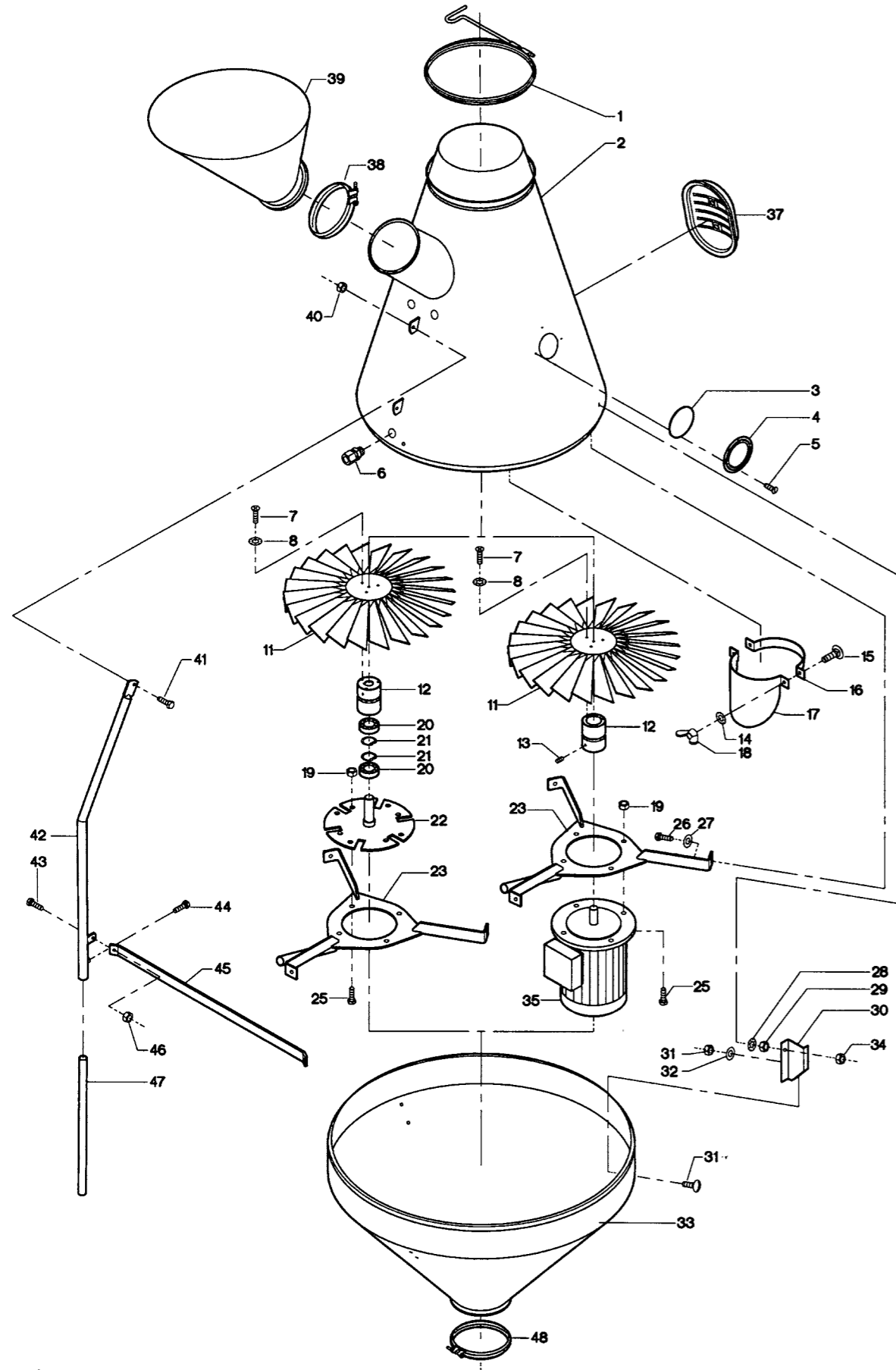


KIA 60

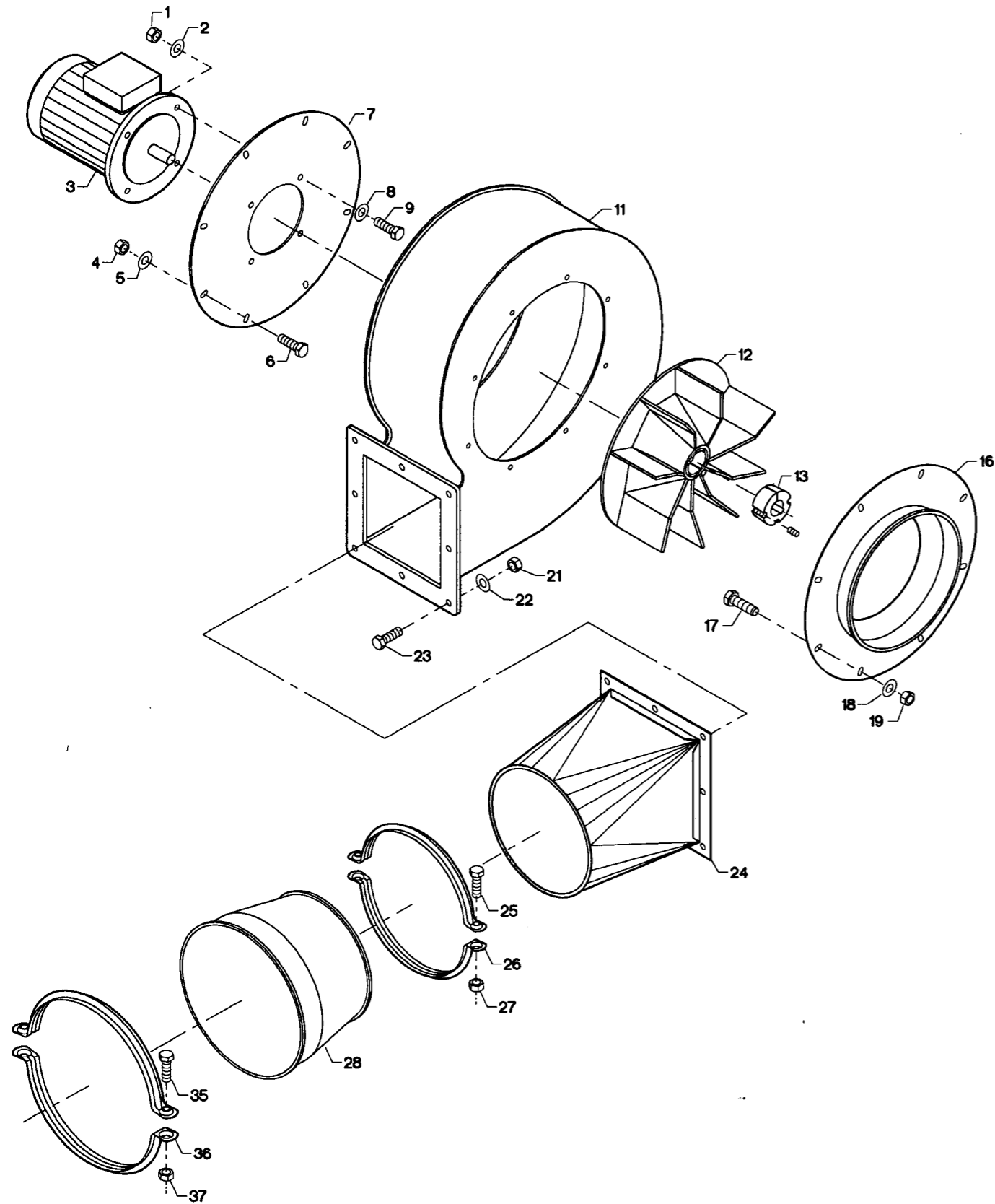
Aspirator



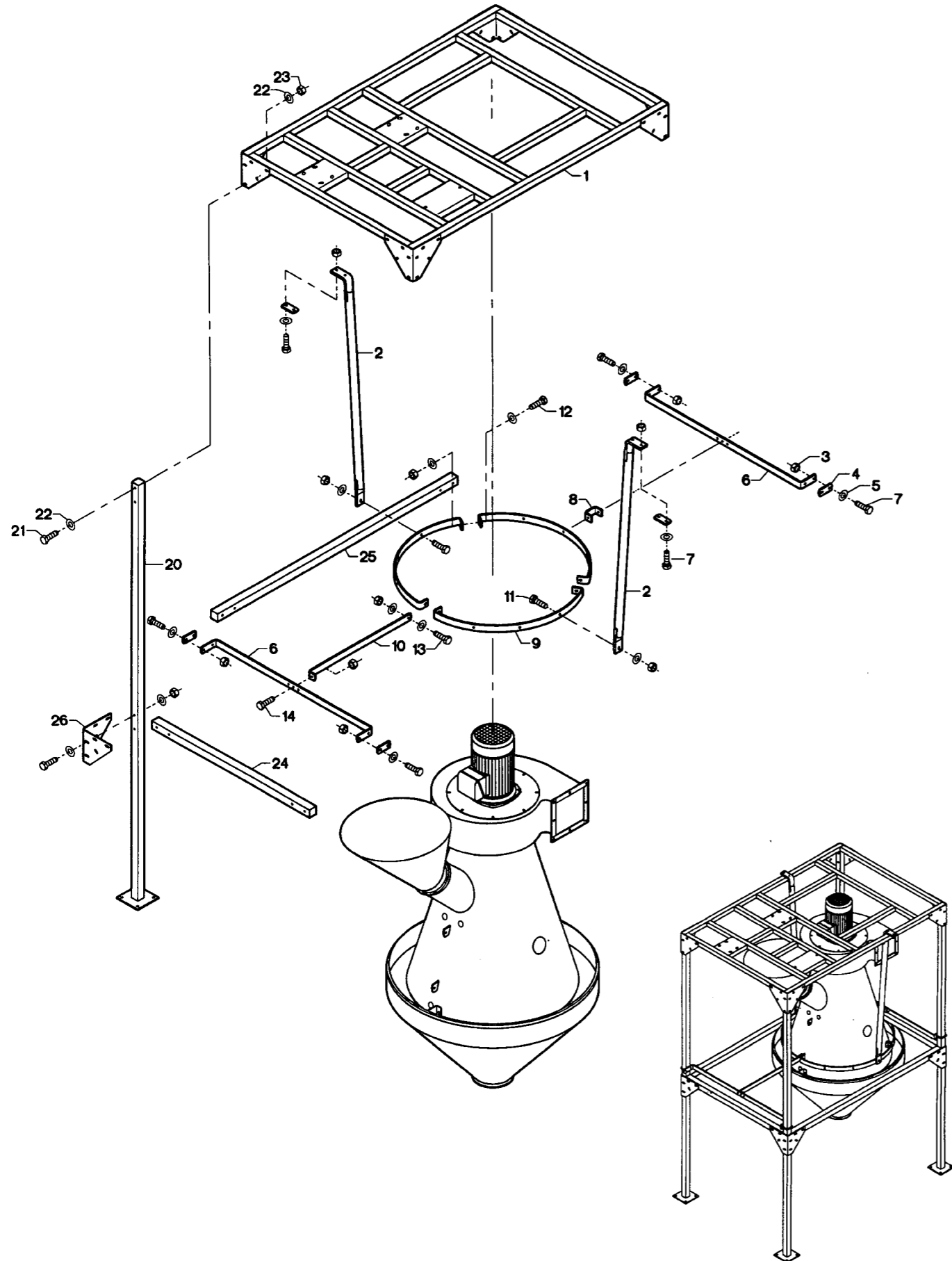
Spare parts list



| Fig. | Part no. | Pieces | Notes |
|------|-------------|--------|--------------------------------|
| 1 | 131 040 049 | 1 | Clamp with screw OK375 |
| 2 | 131 041 036 | 1 | |
| 3 | 121 000 090 | 1 | |
| 4 | 121 000 089 | 1 | |
| 5 | 100 323 011 | 4 | |
| 6 | 100 511 129 | 3 | Torx screw M6 x 16 mm |
| 7 | 100 321 015 | 3 | |
| 8 | 100 332 002 | 3 | |
| 11 | 131 040 000 | 1 | |
| 12 | 131 041 026 | 1 | |
| 13 | 131 041 035 | 1 | F. 60 Hz motor |
| 14 | 100 322 026 | 1 | Stop screw M6 x 16 mm |
| 15 | 100 331 005 | 1 | Star washer M8 |
| 16 | 100 311 018 | 2 | Coach bolt M8 x 30 mm |
| 17 | 131 041 082 | 1 | Wing nut M8 |
| 18 | 100 316 001 | 2 | |
| 19 | 100 316 004 | 4 | |
| 20 | 100 401 002 | 2 | |
| 21 | 100 407 005 | 2 | |
| 22 | 131 041 029 | 1 | F. 50 Hz motor |
| 23 | 131 041 032 | 1 | |
| 25 | 131 041 037 | 1 | |
| 26 | 100 306 029 | 4 | |
| 26 | 100 304 024 | 3 | |
| 27 | 100 331 087 | 3 | Washer M10 |
| 28 | 100 332 004 | 3 | Star washer M10 |
| 29 | 100 315 013 | 3 | Nut M10 |
| 30 | 131 041 040 | 3 | Coach bolt with nut M8 x 20 mm |
| 31 | 100 311 016 | 6 | |
| 32 | 100 331 005 | 6 | |
| 33 | 131 041 041 | 1 | Flat washer M8 |
| 34 | 100 316 004 | 3 | |
| 35 | 100 505 060 | 1 | |
| 35 | 699 114 024 | 1 | |
| 37 | 131 041 076 | 1 | Bolt clamp OK200 |
| 38 | 122 050 110 | 1 | |
| 39 | 131 041 073 | 1 | |
| 40 | 100 315 013 | 3 | |
| 41 | 100 306 029 | 3 | |
| 42 | 131 041 065 | 3 | Set screw M10 x 30 mm |
| 43 | 100 306 030 | 3 | |
| 44 | 100 304 030 | 3 | |
| 45 | 131 041 060 | 3 | |
| 46 | 100 315 013 | 3 | |
| 47 | 131 040 061 | 3 | Fig. 40 - 47 |
| Cpl: | 131 041 006 | 1 | |

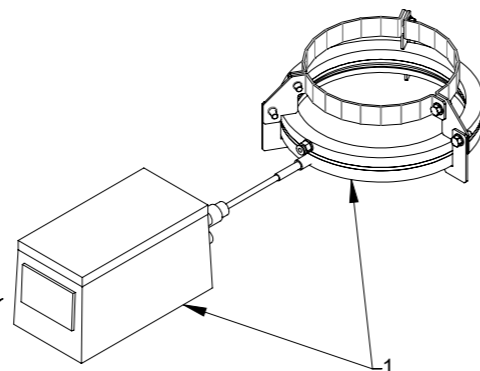
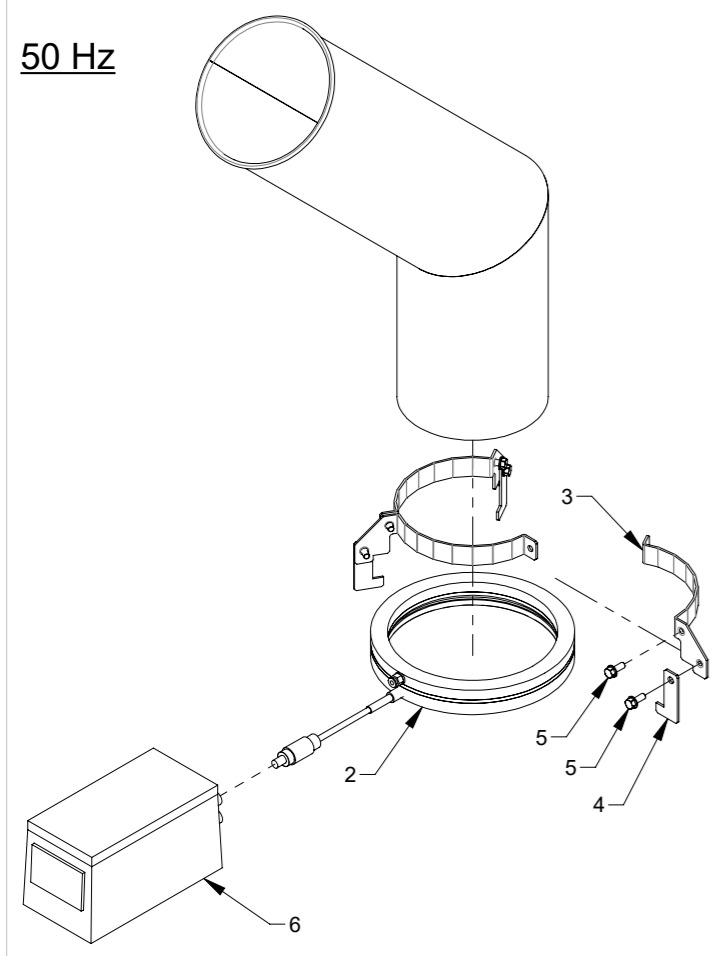


| Fig. | Part no. | Pieces | Notes |
|---------|----------------|--------|--|
| 1 | 100 316 005 | 4 | Lock nut M12 |
| 2 | 100 331 007 | 4 | Flat washer M12 |
| 3 | 100 501 092 | 1 | AC-Motor 132S-2p B5 7,5(7,5)kW 3x400/690(460)V 50(60)Hz IE3 UL/CSA |
| | 100 501 147 | 1 | K21R 132 SX2 7.5 kW B5 200 V-50 Hz/220 V-60 Hz |
| | 100 551 066 | 1 | 215TC-10 HP-460 V-60 Hz-3500 rpm-VM3711T |
| 4 | 100 551 040 | 1 | 215TC-10 HP-575 V-60 Hz-3500 rpm-CEM3771TS |
| 5 | 100 316 003 | 8 | Lock nut M8 |
| 6 | 100 331 005 | 8 | Flat washer M8 |
| 7 | 100 306 015 | 8 | Set screw M8 x 20 mm |
| | 131 041 022 | 1 | For motor K21R |
| 8 | 131 041 039 | 1 | For motor 215TC |
| 9 | 100 331 043 | 1 | Washer 1/2" |
| | 100 304 033 | 4 | Set screw M12 x 35 mm |
| | 100 323 357 | 4 | Set screw UNC 1/2" x 1" |
| 11 | 12500063121201 | 1 | |
| 12 | 12500063121508 | 1 | Bore ø38 (50 Hz) |
| | 92563121556 | 1 | Bore ø1 3/8" (60 Hz) |
| 13 | 125 200 206 | 1 | Bore ø38 (60 Hz) |
| | 12508182161038 | 1 | TB 1610 ø38 |
| | 125 100 141 | 1 | TB 1610 ø1 3/8 |
| 16 | 131 041 024 | 1 | |
| 17 | 100 306 015 | 8 | Set screw M8 x 20 mm |
| 18 | 100 331 005 | 8 | Flat washer M8 |
| 19 | 100 316 003 | 8 | Lock nut M8 |
| 21 | 100 316 004 | 8 | Lock nut M10 |
| 22 | 100 331 006 | 8 | Flat washer M10 |
| 23 | 100 306 030 | 8 | Set screw M10 x 30 mm |
| 24 | 125 100 153 | 1 | |
| 25 | | 1 | M8 x 35 mm |
| 27 | | 1 | M8 |
| Cpl. 28 | 125 500 328 | 1 | Bolt clamp ø250 Incl. fig. 25 - 27 |
| 35 | 125 500 639 | 1 | |
| 37 | | 1 | M8 x 35 mm |
| Cpl. | 125 500 329 | 1 | Bolt clamp 300 Incl. fig. 35 - 37 |

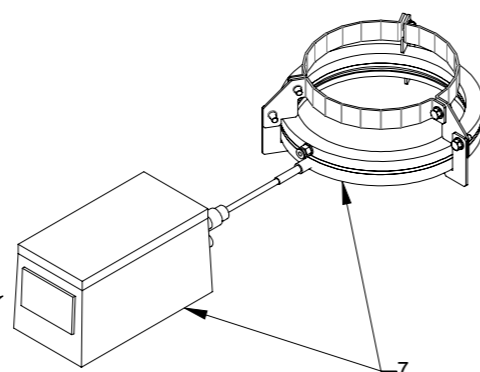
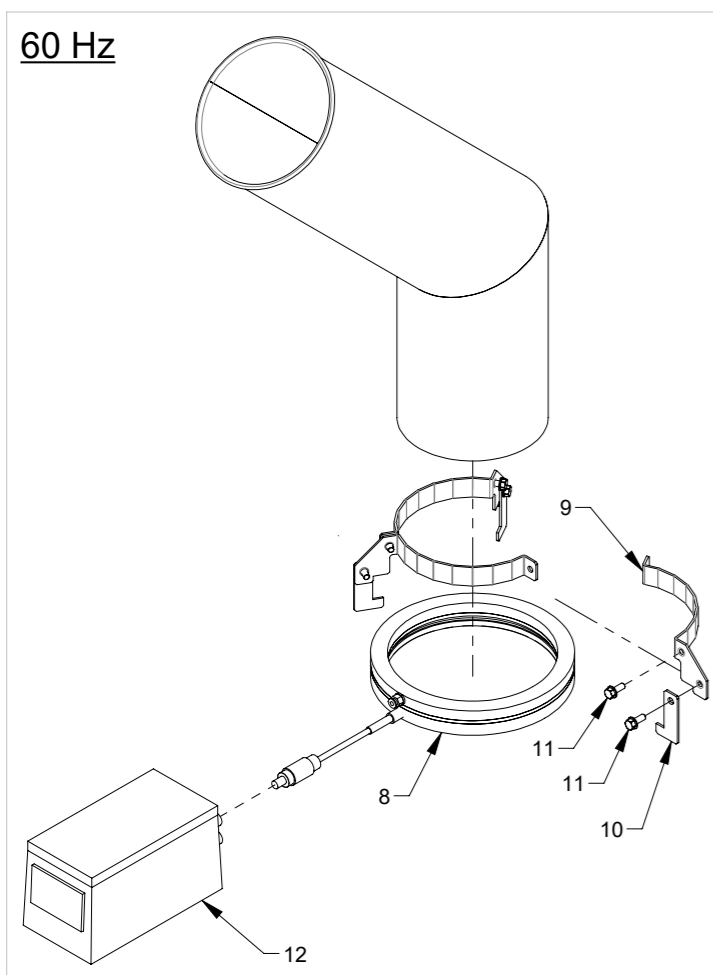


| Fig. | Part no. | Pieces | Notes |
|------|-------------|--------|--------------------------|
| 1 | 631 071 035 | 1 | |
| 2 | 131 041 053 | 2 | |
| 3 | 100 316 004 | 20 | Lock nut M10 |
| 4 | 131 041 057 | 6 | |
| 5 | 100 331 006 | 18 | Washer M10 |
| 6 | 131 041 052 | 2 | |
| 7 | 100 308 019 | 12 | Set screw M10 x 80 mm |
| 8 | 131 041 058 | 1 | |
| 9 | 131 041 069 | 3 | |
| 10 | 131 041 059 | 1 | |
| 11 | 100 306 032 | 2 | Set screw M10 x 40 mm |
| 12 | 100 306 032 | 2 | Set screw M10 x 40 mm |
| 13 | 100 306 034 | 1 | Set screw M10 x 50 mm |
| 14 | 100 306 030 | 3 | Set screw M10 x 30 mm |
| 20 | 631 071 065 | 4 | Gaylord height 130" legs |
| 21 | 631 071 064 | 4 | Gaylord height 105" legs |
| 22 | 103 060 039 | 24 | Set screw M10 x 75 mm |
| 23 | 100 331 057 | 48 | Washer M10 |
| 24 | 100 316 004 | 24 | Lock nut M10 |
| 24 | 631 071 060 | 2 | |
| 25 | 631 071 061 | 2 | |
| 26 | 631 071 013 | 4 | |
| | | | |
| | | | |
| | | | |
| | | | |
| | | | |
| | | | |
| | | | |
| | | | |
| | | | |
| | | | |
| | | | |
| | | | |
| | | | |
| | | | |
| | | | |
| | | | |

50 Hz



60 Hz



| Pos. | Pcs. | Part no. | Description |
|------|------|-----------|--|
| 1 | 1 | 131041144 | KIA 60 antistatic equipment 1x230V 50Hz CE |
| 2 | 1 | 100503421 | Ionisator ring set Haug Ø230/Ø270 |
| 3 | 3 | 131041146 | Bracket for antistatic ring and inlet pipe KIA 60 |
| 4 | 3 | 131041147 | Bracket for ring |
| 5 | 6 | 100323454 | Thread forming flange screw M8x20 DIN 7500D |
| 6 | 1 | 100503422 | Power supply for ionisator ring 230V / 50Hz |
| 7 | 1 | 131041145 | KIA 60 antistatic equipment 1x115V 60Hz UL/CSA |
| 8 | 1 | 100503421 | Ionisator ring set Haug Ø230/Ø270 |
| 9 | 3 | 131041146 | Bracket for antistatic ring and inlet pipe KIA 60 |
| 10 | 3 | 131041147 | Bracket for ring |
| 11 | 6 | 100323454 | Thread forming flange screw M8x20 DIN 7500D |
| 12 | 1 | 100503423 | Power supply for ionisator ring 115V / 60Hz UL/CSA |

Kongskilde Industries A/S

Skælskørvej 64

DK - 4180 Sorø

Tel. +45 72 17 60 00

mail@kongskilde-industries.com

www.kongskilde-industries.com