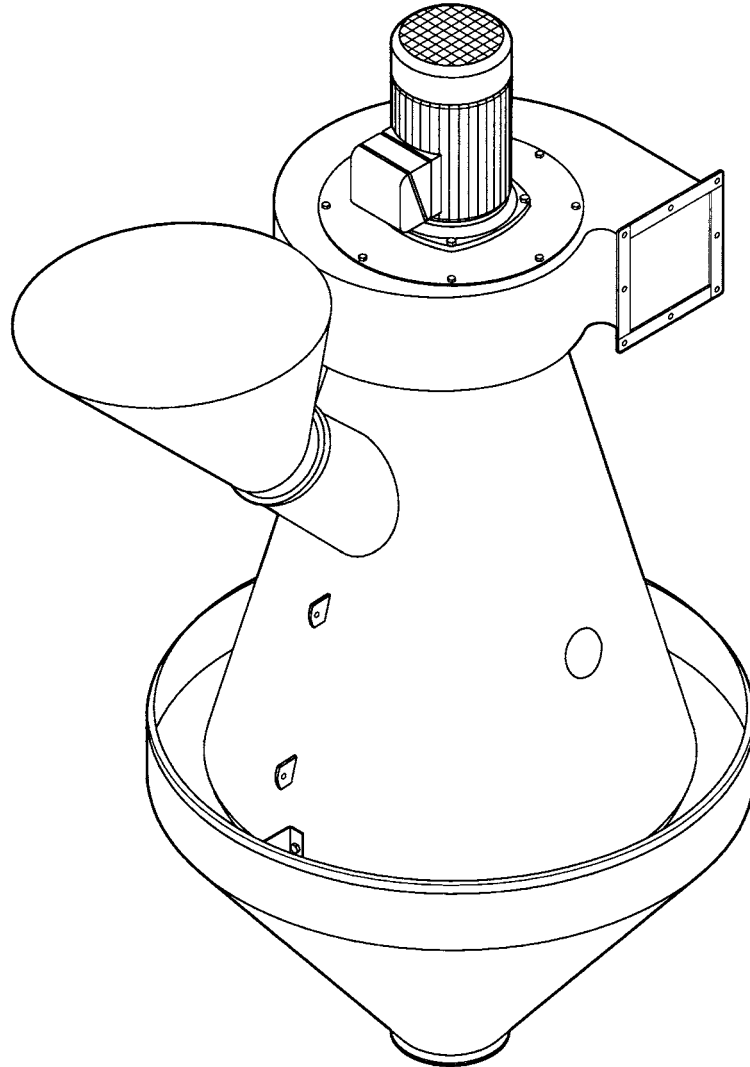


KIA 60

Aspirator



Spare parts list

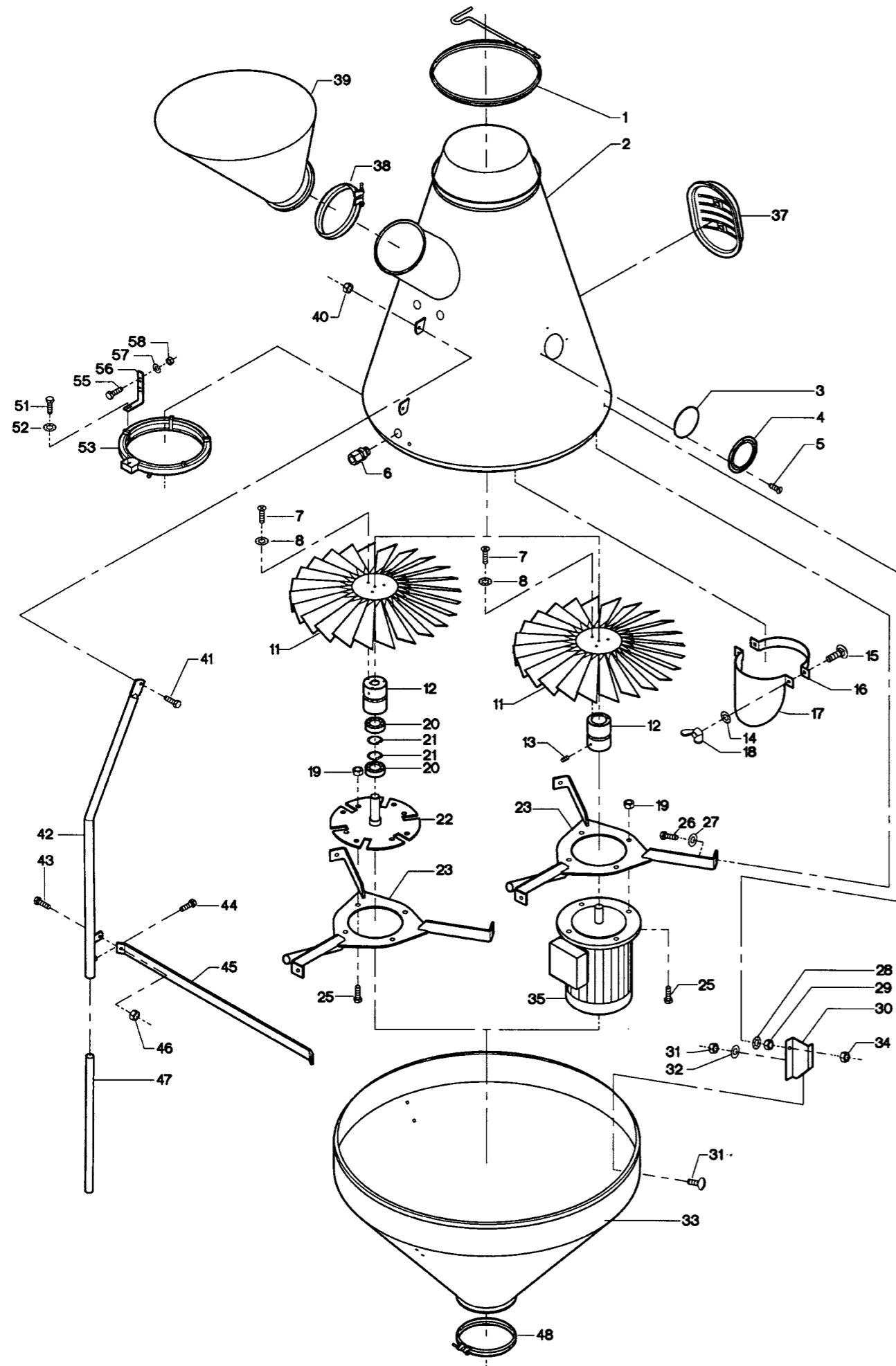


Fig.	Part no.	Pieces	Notes
1	131 040 049	1	Clamp with screw OK375
2	131 041 036	1	
3	121 000 090	1	
4	121 000 089	1	
5	100 323 011	4	Self-tapping screw 4.2 x 8 mm, DIN 7981C
6	100 511 129	3	
7	100 321 015	3	Torx screw M6 x 16 mm
8	100 332 002	3	Star washer M6
11	131 040 000	1	
12	131 041 026	1	F. 50 Hz motor
13	131 041 035	1	F. 60 Hz motor
14	100 322 026	1	Stop screw M6 x 16 mm
15	100 331 005	1	Star washer M8
16	100 311 018	2	Coach bolt M8 x 30 mm
17	131 041 082	1	
18	100 316 001	2	Wing nut M8
19	100 316 004	4	Lock nut M10
20	100 401 002	2	Ball bearing # 6204-2RS
21	100 407 005	2	Circlip IK ø48 x 1,75 mm
22	131 041 029	1	
23	131 041 032	1	F. 50 Hz motor
25	131 041 037	1	F. 60 Hz motor
26	100 306 029	4	Set screw M10 x 25 mm
27	100 304 024	3	Set screw M10 x 35 mm
28	100 331 087	3	Washer M10
29	100 332 004	3	Star washer M10
30	100 315 013	3	Nut M10
31	131 041 040	3	
31	100 311 016	6	Coach bolt with nut M8 x 20 mm
32	100 331 005	6	Flat washer M8
33	131 041 041	1	
34	100 316 004	3	Lock nut M10
35	100 505 060	1	K21R 90 L8 0.55 kW B5 750 rpm, 3 x 400 V, 50 Hz
35	699 114 024	1	1,5 HP-180 V CDP 3575
37	131 041 076	1	
38	122 050 110	1	Bolt clamp OK200
39	131 041 073	1	
40	100 315 013	3	Nut M10
41	100 306 029	3	Set screw M10 x 25 mm
42	131 041 065	3	
43	100 306 030	3	Set screw M10 x 30 mm
44	100 304 030	3	Set screw M12 x 20 mm
45	131 041 060	3	
46	100 315 013	3	Nut M10
47	131 040 061	3	
Cpl:	131 041 006	1	Fig. 40 - 47
48	122 050 110	1	Bolt clamp OK200
51	100 308 013	1	Set screw M5 x 10 mm
52	100 332 001	1	Star washer M5
53	131 041 021	1	
55	100 308 013	1	Set screw M5 x 10 mm
56	131 041 064	1	
57	100 331 003	1	Washer M5
58	100 316 063	2	Lock nut M5
Cpl:	131 041 019	1	Fig. 51 - 58

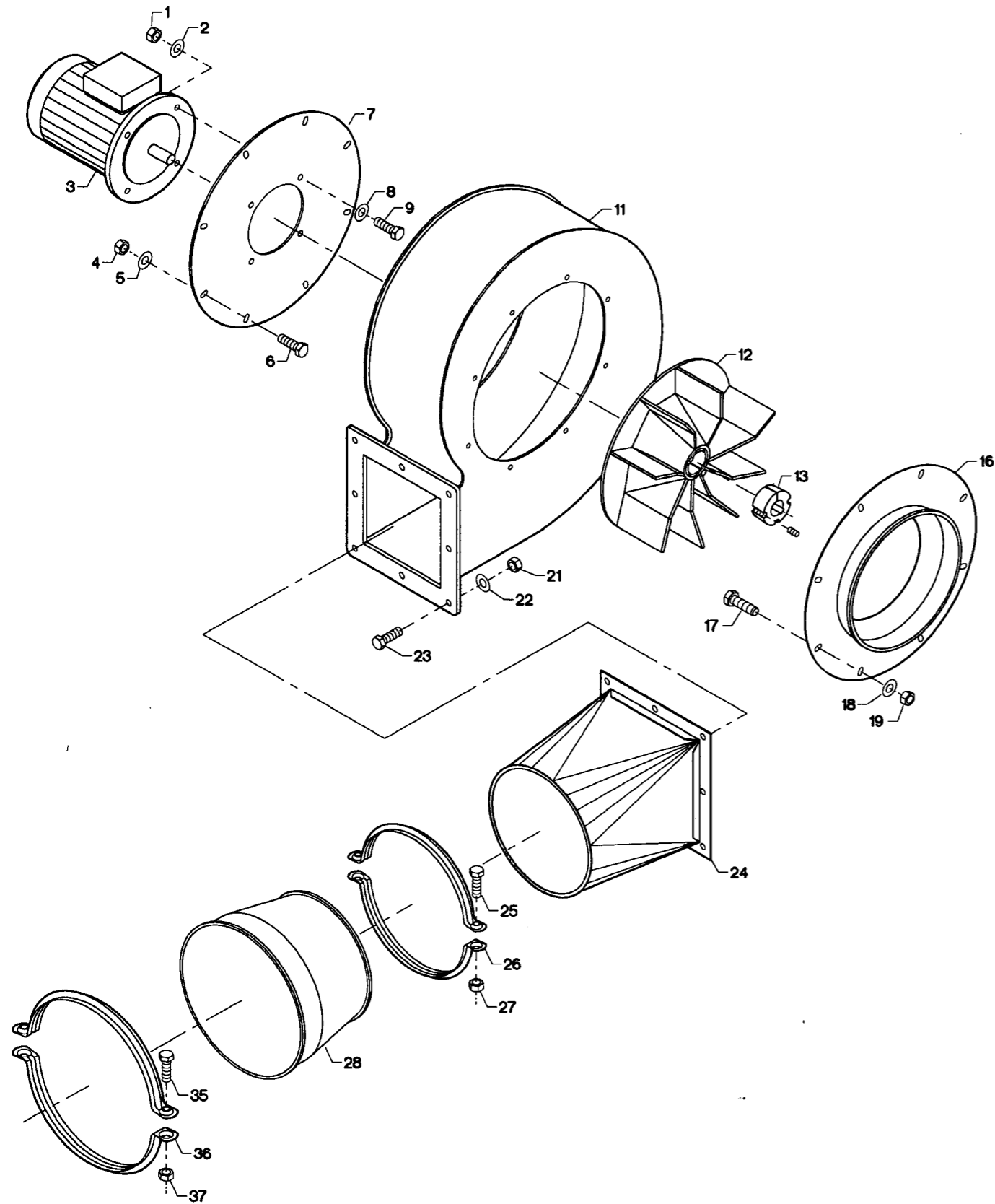


Fig.	Part no.	Pieces	Notes
1	100 316 005	4	Lock nut M12
2	100 331 007	4	Flat washer M12
3	100 501 092	1	K21R 132 SX2 7.5 kW B5
	100 501 147	1	K21R 132 SX2 7.5 kW B5 200 V-50 Hz/220 V-60 Hz
	100 551 066	1	215TC-10 HP-460 V-60 Hz-3500 rpm-VM3711T
4	100 551 040	1	215TC-10 HP-575 V-60 Hz-3500 rpm-CEM3771TS
5	100 316 003	8	Lock nut M8
6	100 331 005	8	Flat washer M8
7	100 306 015	8	Set screw M8 x 20 mm
	131 041 022	1	For motor K21R
8	131 041 039	1	For motor 215TC
9	100 331 043	1	Washer 1/2"
	100 304 033	4	Set screw M12 x 35 mm
	100 323 357	4	Set screw UNC 1/2" x 1"
11	12500063121201	1	
12	12500063121508	1	Bore ø38 (50 Hz)
	92563121556	1	Bore ø1 3/8" (60 Hz)
	125 200 206	1	Bore ø38 (60 Hz)
13	12508182161038	1	TB 1610 ø38
	125 100 141	1	TB 1610 ø1 3/8
16	131 041 024	1	
17	100 306 015	8	Set screw M8 x 20 mm
18	100 331 005	8	Flat washer M8
19	100 316 003	8	Lock nut M8
21	100 316 004	8	Lock nut M10
22	100 331 006	8	Flat washer M10
23	100 306 030	8	Set screw M10 x 30 mm
24	125 100 153	1	
25		1	M8 x 35 mm
27		1	M8
Cpl. 28	125 500 328	1	Bolt clamp ø250 Incl. fig. 25 - 27
35	125 500 639	1	M8 x 35 mm
37		1	M8
Cpl.	125 500 329	1	Bolt clamp 300 Incl. fig. 35 - 37

Kongskilde Industries A/S

Skælskørvej 64

DK - 4180 Sorø

Tel. +45 72 17 60 00

mail@kongskilde-industries.com

www.kongskilde-industries.com