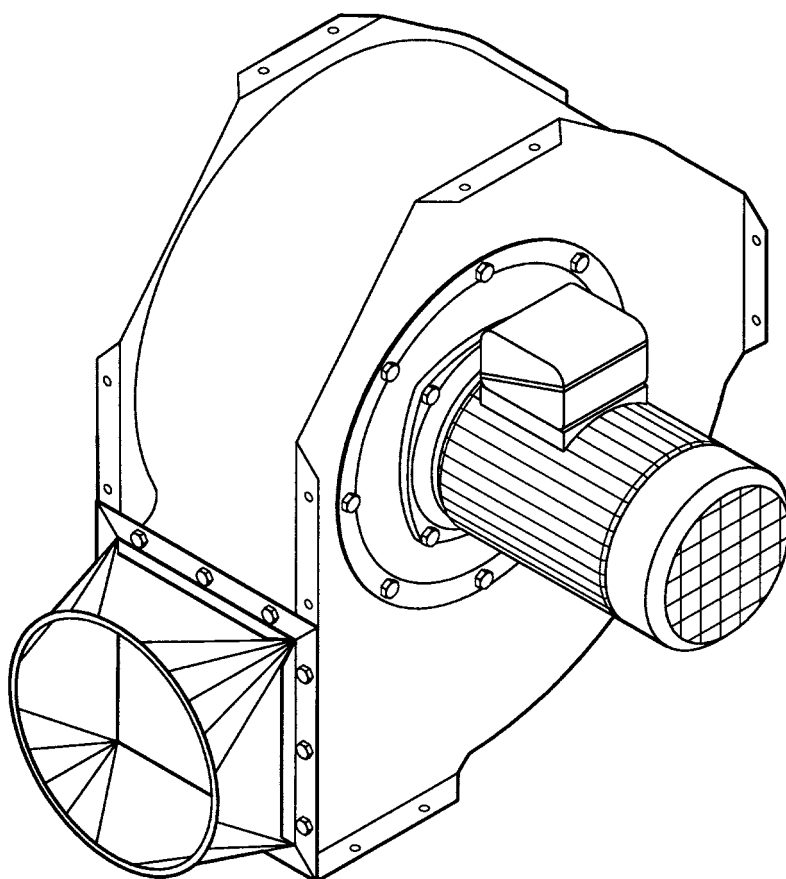


FRL 20-30-75-100

Centrifugal blowers



Spare parts list

FRL 20 - 30 - 75 - 100

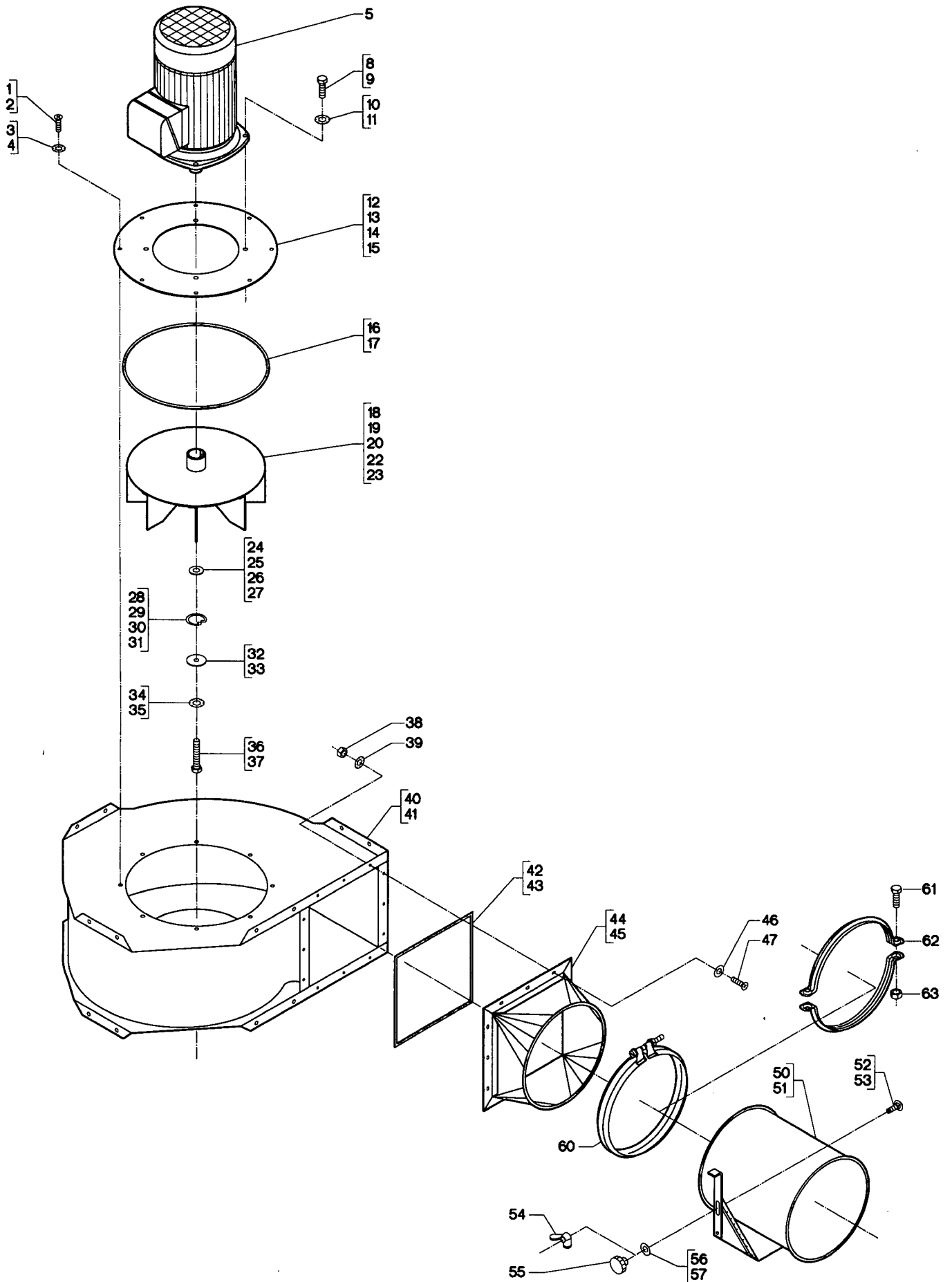


Fig.	Part no.	Pieces	Notes
1	100 321 014	8	Torx screw M6 x 12 mm for FRL 20 &30
2	100 321 021	8	Torx screw M8 x 15 mm for FRL 75 &100
3	100 332 002	8	Star washer M6 for FRL 20 &30
4	100 332 003	8	Star washer M8 for FRL 75 &100
5	100 501 073	1	Motor 90S2 1.5 kW B5 for FRL 20, 3000 RPM, 400 V, 50 Hz
	100 501 088	1	Motor 132S2 5.5 kW B5 for FRL 75, 3000 RPM, 400 V, 50 Hz
	100 501 240	1	Motor MS132S1-2 5.5 kW for FRL 75, 3000 RPM, 230/400 V, 50 Hz
8	100 501 092	1	Motor 132SX2 7.5 kW for FRL 100, 3000 RPM, 400 V, 50 Hz
	100 306 015	4	Set screw M8 x 20 mm for FRL 20 &30
9	100 306 043	4	Set screw M12 x 30 mm for FRL 75 &100
10	100 332 003	4	Star washer M8 for FRL 20 & 30
11	100 332 005	4	Star washer M12 for FRL 75 & 100
12	131 020 018	1	Motor mounting plate for FRL 20
13	131 020 091	1	Motor mounting plate for FRL 30
14	131 060 028	1	Motor mounting plate for FRL 75
15	131 040 126	1	Motor mounting plate for FRL 75/60 Hz & 100/50 Hz
16	100 203 030	-	Sealing strip 2 x 6 mm. Order 0,95 m for FRL 20 & 30
17	100 203 030	-	Sealing strip 2 x 6 mm. Order 1,42 m for FRL 75 & 100
18	131 020 020	1	Rotor for FRL 20/50 Hz
19	131 020 075	1	Rotor for FRL 30/60 Hz
20	131 040 015	1	Rotor for FRL 75/50 Hz
22	131 040 131	1	Rotor for FRL 100/60 Hz
23	131 060 045	1	Rotor for FRL 100/50 Hz
24	121 010 018	1	Flat washer $\varnothing 23,8/10 \times 2$ mm for FRL 20
25	121 000 027	1	Flat washer $\varnothing 27,8/17 \times 2$ mm for FRL 30
26	121 000 070	1	Flat washer $\varnothing 37,6/17 \times 3$ mm for FRL 75
27	121 075 028	1	Flat washer $\varnothing 34,5/17 \times 3$ mm for FRL 75/60 Hz & 100/50 Hz
28	100 407 000	1	Circlip $\varnothing 24 \times 1,2$ mm for FRL 20
29	100 407 001	1	Circlip $\varnothing 28 \times 1,2$ mm for FRL 30
30	100 407 003	1	Circlip $\varnothing 38 \times 1,5$ mm for FRL 75
31	100 407 002	1	Circlip $\varnothing 35 \times 1,5$ mm for FRL 75/60 Hz & 100/50 Hz
32	121 000 021	1	Flat washer $\varnothing 42/9 \times 3$ mm for FRL 20 & 30
33	121 000 071	1	Flat washer $\varnothing 52/13 \times 3$ mm for FRL 75 & 100
34	100 332 003	1	Star washer M8 for FRL 20 &30
35	100 332 005	1	Star washer M12 for FRL 75 &100
36	100 308 032	1	Set screw M8 x 35 mm for FRL 20 &30
37	100 304 036	1	Set screw M12 x 50 mm for FRL 75 &100
38	100 315 028	8/12	Nut M6. 8 pcs. for FRL 20 & 30 and 12 pcs. for FRL 75 &100
39	100 332 002	8/12	Star washer M6. 8 pcs. for FRL 20 & 30 and 12 pcs. for FRL 75 &100
40	131 020 013	1	Centrifugal fan casing for FRL 20 & 30
41	131 040 019	1	Centrifugal fan casing for FRL 75 & 100
42	100 203 030	-	Sealing strip 2 x 6 mm. Order 0,8 m for FRL 20 & 30
43	100 203 030	-	Sealing strip 2 x 6 mm. Order 1,34 m for FRL 75 & 100
44	131 020 024	1	Transition tube, square to OK-200 for FRL 20 & 30
45	131 040 037	1	Transition tube, square to $\varnothing 300$ for FRL 75 & 100
46	100 331 004	8/12	Flat washer M6. 8 pcs. for FRL 20 & 30 and 12 pcs. for FRL 75 &100
47	100 321 014	8/12	Torx screw M6 x 12. 8 pcs. for FRL 20 & 30 and 12 pcs. for FRL 75 &100
50	122 050 118	1	Air regulator OK200 for FRL 20 & 30
51	131 041 048	1	Air regulator $\varnothing 300$ for FRL 75 & 100
52	100 311 001	1	Coach bolt M6 x 20 mm for FRL 20 & 30
53	100 311 016	1	Coach bolt M8 x 20 mm for FRL 75 & 100
54	100 316 000	1	Wing nut M6 for FRL 20 & 30
55	100 414 050	1	Star handle M8 for FRL 75 & 100
56	100 331 013	1	Flat washer M6 for FRL 20 & 30
57	100 331 014	1	Flat washer M8 for FRL 75 & 100
60	122 050 110	1	Bolt clamp OK200 for FRL 20 & 30
61		1	Screw M8 x 35 mm
63		1	Nut M8
Cpl.	125 500 329	1	Bolt clamp $\varnothing 300$ for FRL 75 & 100. Incl. fig. 61 - 63

FRL 20 - 30 - 75 - 100

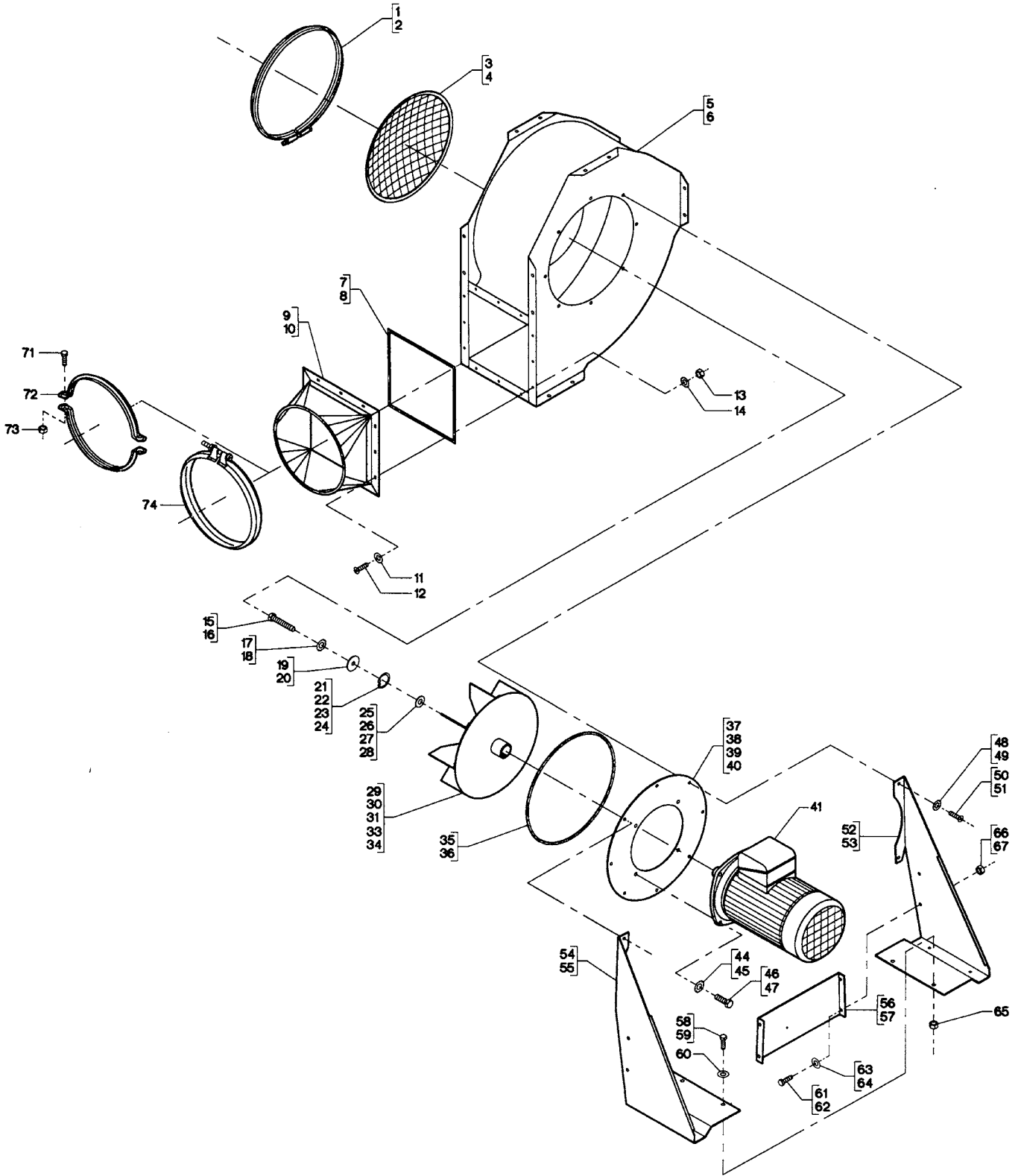


Fig.	Part no.	Pieces	Notes
1	122 000 701	1	OK250 clamp with bolt for FRL 20 & 30
2	131 040 113	1	OK375 clamp with bolt for FRL 75 & 100
3	131 020 088	1	Wire grid for FRL 20 & 30
4	131 040 112	1	Wire grid for FRL 75 & 100
5	131 020 013	1	Centrifugal fan casing for FRL 20 & 30
6	131 040 019	1	Centrifugal fan casing for FRL 75 & 100
7	100 203 030	-	Sealing strip 2 x 6 mm. Order 0,8 m for FRL 20 & 30
8	100 203 030	-	Sealing strip 2 x 6 mm. Order 1,34 m for FRL 75 & 100
9	131 020 024	1	Transition tube, square to OK-200 for FRL 20 & 30
10	131 040 037	1	Transition tube, square to ø300 for FRL 75 & 100
11	100 331 004	8/12	Flat washer M6. 8 pcs. for FRL 20 & 30 and 12 pcs. for FRL 75 & 100
12	100 321 014	8/12	Torx screw M6 x 12. 8 pcs. for FRL 20 & 30 and 12 pcs. for FRL 75 & 100
13	100 315 028	8/12	Nut M6. 8 pcs. for FRL 20 & 30 and 12 pcs. for FRL 75 & 100
14	100 332 002	8/12	Star washer M6. 8 pcs. for FRL 20 & 30 and 12 pcs. for FRL 75 & 100
15	100 308 032	1	Set screw M8 x 35 mm for FRL 20 & 30
16	100 304 036	1	Set screw M12 x 50 mm for FRL 75 & 100
17	100 332 003	1	Star washer M8 for FRL 20 & 30
18	100 332 005	1	Star washer M12 for FRL 75 & 100
19	121 000 021	1	Flat washer ø42/9 x 3 mm for FRL 20 & 30
20	121 000 071	1	Flat washer ø52/13 x 3 mm for FRL 75 & 100
21	100 407 000	1	Circlip ø24 x 1,2 mm for FRL 20
22	100 407 001	1	Circlip ø28 x 1,2 mm for FRL 30
23	100 407 003	1	Circlip ø38 x 1,5 mm for FRL 75
24	100 407 002	1	Circlip ø35 x 1,5 mm for FRL 75/60 Hz & 100/50 Hz
25	121 010 018	1	Flat washer ø23,8/10 x 2 mm for FRL 20
26	121 000 027	1	Flat washer ø27,8/17 x 2 mm for FRL 30
27	121 000 070	1	Flat washer ø37,6/17 x 3 mm for FRL 75
28	121 075 028	1	Flat washer ø34,5/17 x 3 mm for FRL 75/60 Hz & 100/50 Hz
29	131 020 020	1	Rotor for FRL 20/50 Hz
30	131 020 075	1	Rotor for FRL 30/60 Hz
31	131 040 015	1	Rotor for FRL 75/50 Hz
33	131 040 131	1	Rotor for FRL 100/60 Hz
34	131 060 045	1	Rotor for FRL 100/50 Hz
35	100 203 030	-	Sealing strip 2 x 6 mm. Order 0,95 m for FRL 20 & 30
36	100 203 030	-	Sealing strip 2 x 6 mm. Order 1,42 m for FRL 75 & 100
37	131 020 018	1	Motor mounting plate for FRL 20
38	131 020 091	1	Motor mounting plate for FRL 30
39	131 060 028	1	Motor mounting plate for FRL 75
40	131 040 126	1	Motor mounting plate for FRL 75-60 Hz & 100
41	100 501 073	1	Motor 132S2 5.5 kW B5 for FRL 75, 3000 RPM, 400 V, 50 Hz
44	100 501 088	1	Motor 132S2 5.5 kW B5 for FRL 75, 3000 RPM, 400 V, 50 Hz
45	100 501 240	1	Motor MS132S1-2 5.5 kW for FRL 75, 3000 RPM, 230/400 V, 50 Hz
46	100 501 092	1	Motor 132SX2 7.5 kW for FRL 100, 3000 RPM, 400 V, 50 Hz
47	100 332 003	4	Star washer M8 for FRL 20 & 30
48	100 332 005	4	Star washer M12 for FRL 75 & 100
49	100 306 015	4	Set screw M8 x 20 mm for FRL 20 & 30
50	100 306 043	4	Set screw M12 x 30 mm for FRL 75 & 100
51	100 332 002	8	Star washer M6 for FRL 20 & 30
52	100 332 003	8	Star washer M8 for FRL 75 & 100
53	100 321 014	8	Torx screw M6 x 12 mm for FRL 20 & 30
54	100 321 021	8	Torx screw M8 x 15 mm for FRL 75 & 100
55	131 020 008	1	Base right for FRL 20 & 30
56	131 040 105	1	Base right for FRL 75 & 100
57	131 020 109	1	Base left for FRL 20 & 30
58	131 040 106	1	Base left for FRL 75 & 100
59	131 020 007	1	Brase for FRL 20 & 30
60	131 040 144	1	Brase for FRL 75 & 100
61	100 306 001	2	Set screw M6 x 20 mm for FRL 20 & 30
62	100 308 025	2	Set screw M6 x 25 mm for FRL 75 & 100
63	100 331 004	2	Flat washer M6
64	100 306 001	4	Set screw M6 x 20 mm for FRL 20 & 30
65	100 308 002	4	Set screw M6 x 25 mm for FRL 75 & 100
66	100 331 004	4	Flat washer M6 for FRL 20 & 30
67	100 331 005	4	Flat washer M8 for FRL 75 & 100
68	100 315 028	2	Nut M6
69	100 315 028	4	Nut M6 for FRL 20 & 30
70	100 315 012	4	Nut M8 for FRL 75 & 100
71		1	Screw M8 x 35 mm
72		1	Nut M8
73	125 500 329	1	Bolt clamp ø300 for FRL 75 & 100. Incl. fig. 71 - 73
74	122 050 110	1	Bolt clamp OK200 for FRL 20 & 30

Kongskilde Industries A/S

Skælskørvej 64

DK - 4180 Sorø

Tel. +45 72 17 60 00

mail@kongskilde-industries.com

www.kongskilde-industries.com