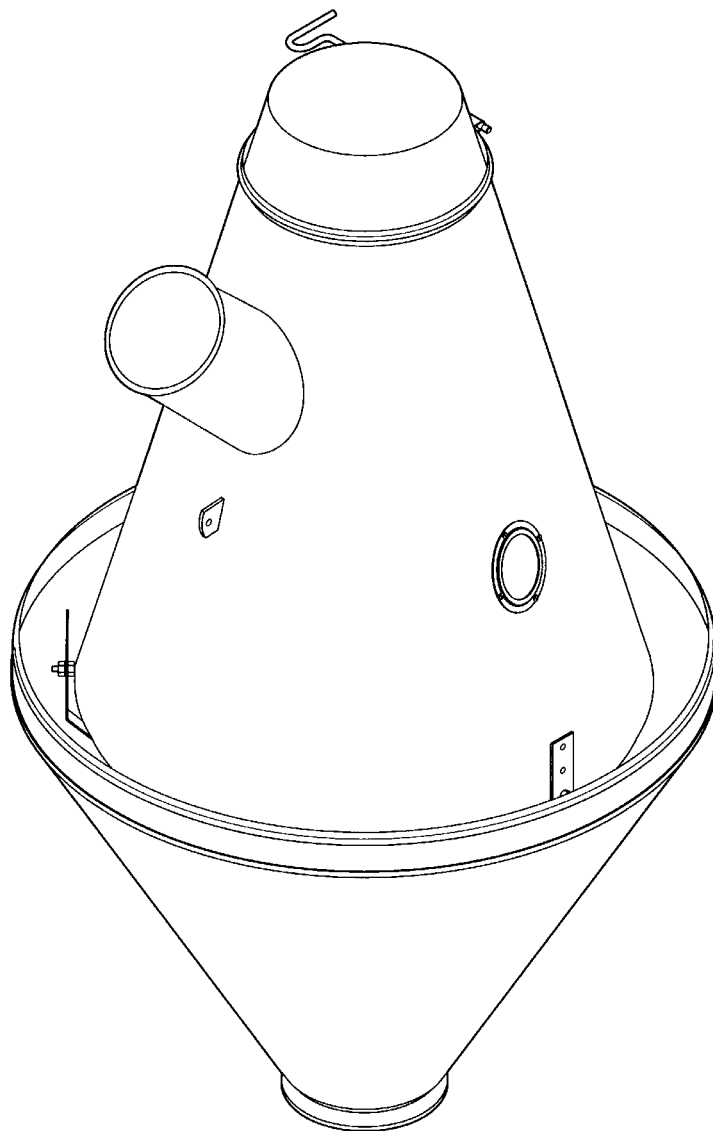


# **KIA 20**

## Aspirator



Spare parts list

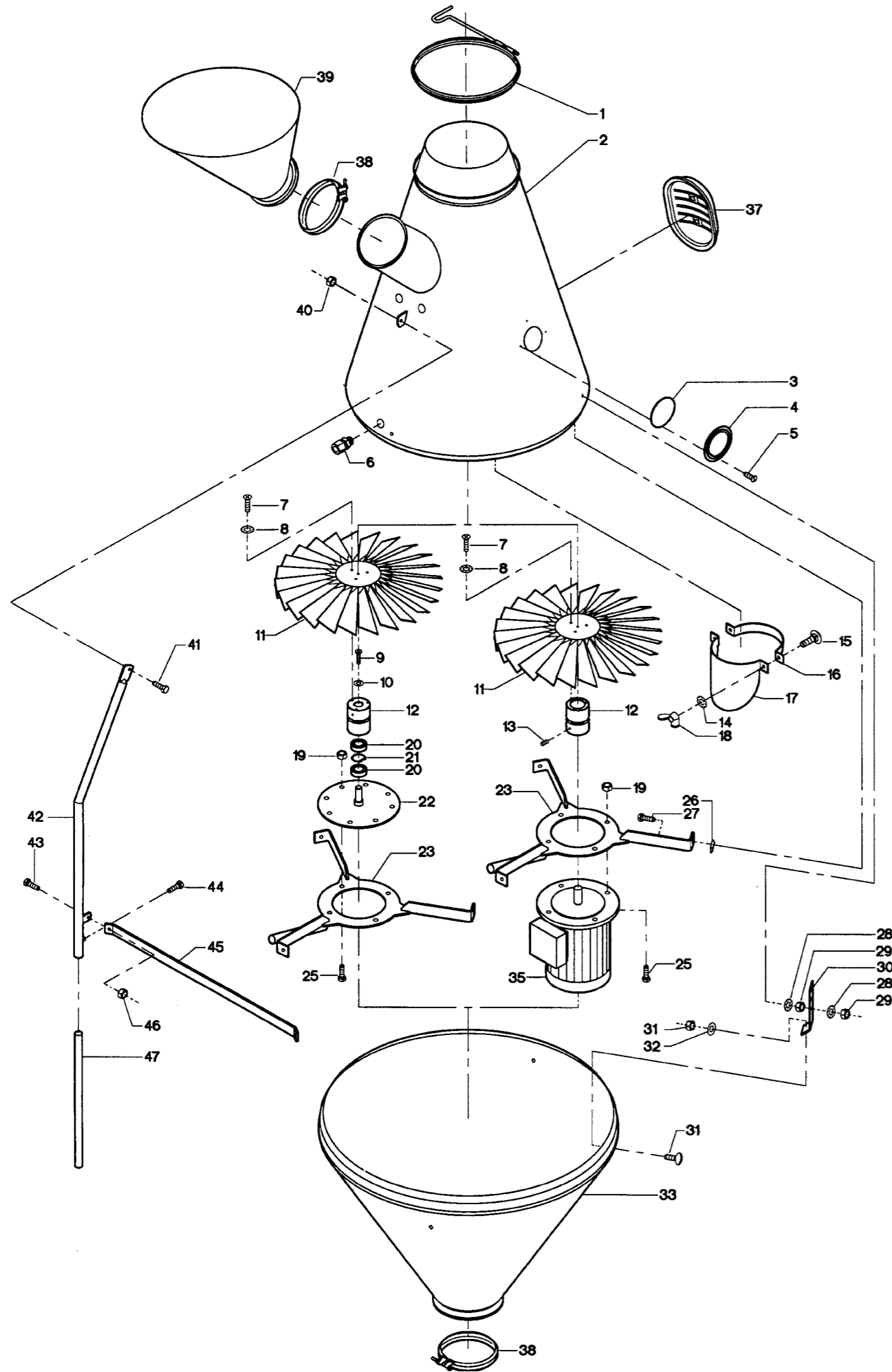


Fig.	Part no.	Pieces	Notes
1	122 000 603	1	Clamp with screw OK250
2	131 021 013	1	
3	121 000 090	1	
4	121 000 089	1	
5	100 323 011	4	Self-tapping screw 4.2 x 8 mm, DIN 7910C
6	100 511 129	3	
7	100 321 010	3	Torx screw M5 x 12 mm
8	100 332 001	3	Star washer M5
9	100 321 014	1	Torx screw M6 x 12 mm
10	100 331 089	1	Washer M6, DIN 9012A
11	131 020 039	1	
12	131 021 017	1	F. 50 Hz motor
13	131 021 050	1	F. 60 Hz motor
14	100 322 008	1	Stop screw M5 x 10 mm
14	100 332 002	1	Star washer M6
15	100 311 003	2	Coach bolt with nut M6 x 15 mm
16	131 021 022	1	
17	131 021 021	1	
18	100 316 000	2	Wing nut M6
19	100 316 004	4	Lock nut M10
20	100 401 055	2	Ball bearing # 6202-2RS 1
21	100 407 002	1	Circlip IK ø35 x 1,5 mm
22	131 021 018	1	
23	131 021 014	1	F. 50 Hz motor
23	131 021 048	1	F. 60 Hz motor
25	100 303 031	4	Set screw M10 x 25 mm
26	131 020 061	3	
27	100 308 032	3	Set screw M8 x 35 mm
28	100 332 003	6	Star washer M8
29	100 315 012	6	Nut M8
30	131 021 031	3	
31	100 311 000	3	Coach bolt with nut M6 x 15 mm
32	100 331 004	3	Flat washer M6
33	131 021 030	1	
35	100 501 107	1	AC Motor 80-8p B5 0,18(NA)kW 3x230/400(NA)V 50(NA)Hz IE3 without cooling wings
37	699 114 015	1	1 HP-180 V CDP 3575
38	131 021 037	1	
39	122 000 857	2	Bolt clamp OK160
40	131 021 076	1	
40	100 315 013	3	Nut M10
41	100 306 029	3	Set screw M10 x 25 mm
42	131 021 028	3	
43	100 306 030	3	Set screw M10 x 30 mm
44	100 308 004	3	Set screw M10 x 20 mm
45	131 021 029	3	
46	100 315 013	3	Nut M10
47	131 010 080	3	
Cpl:	131 021 004	1	Fig. 40 - 47

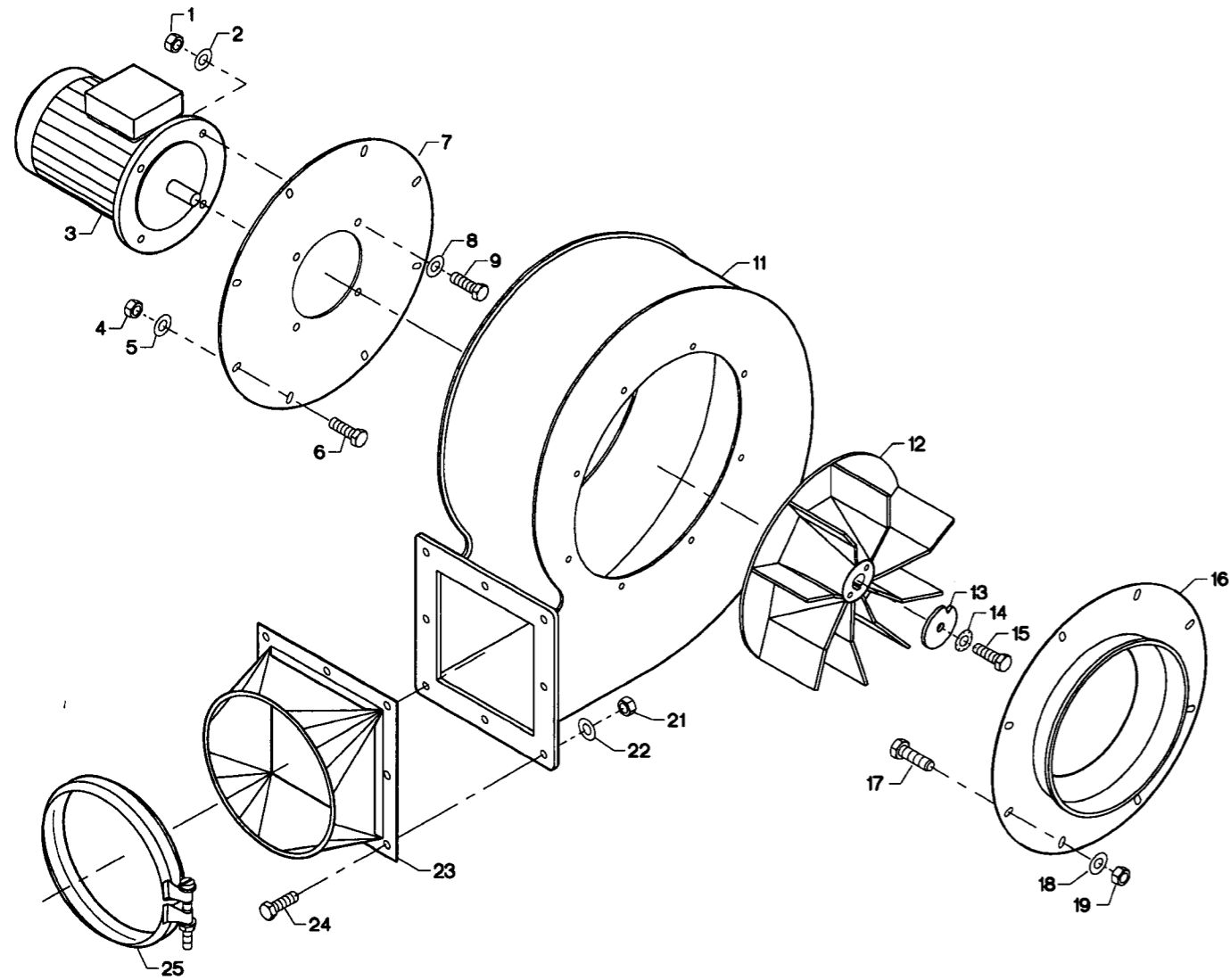
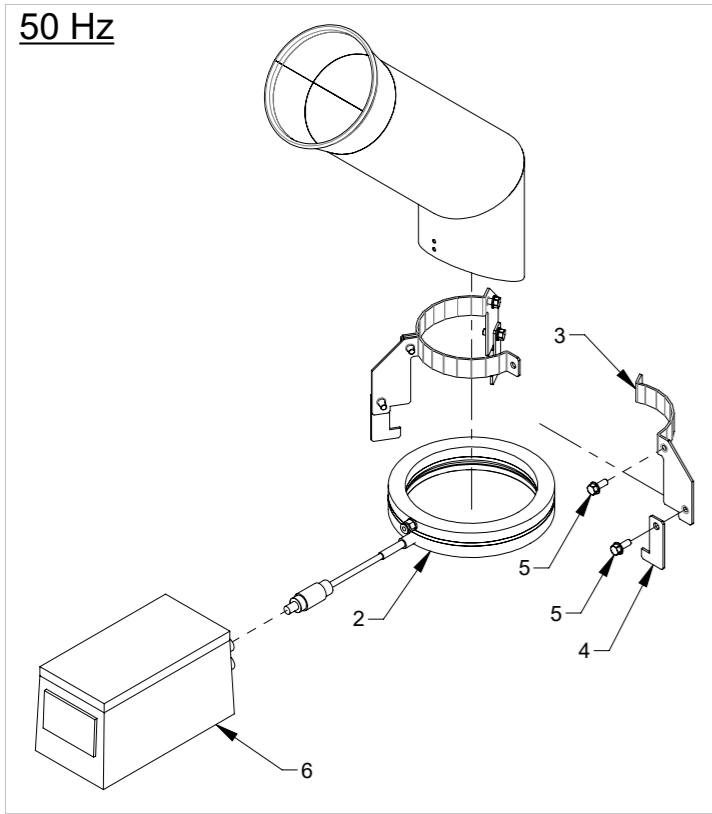


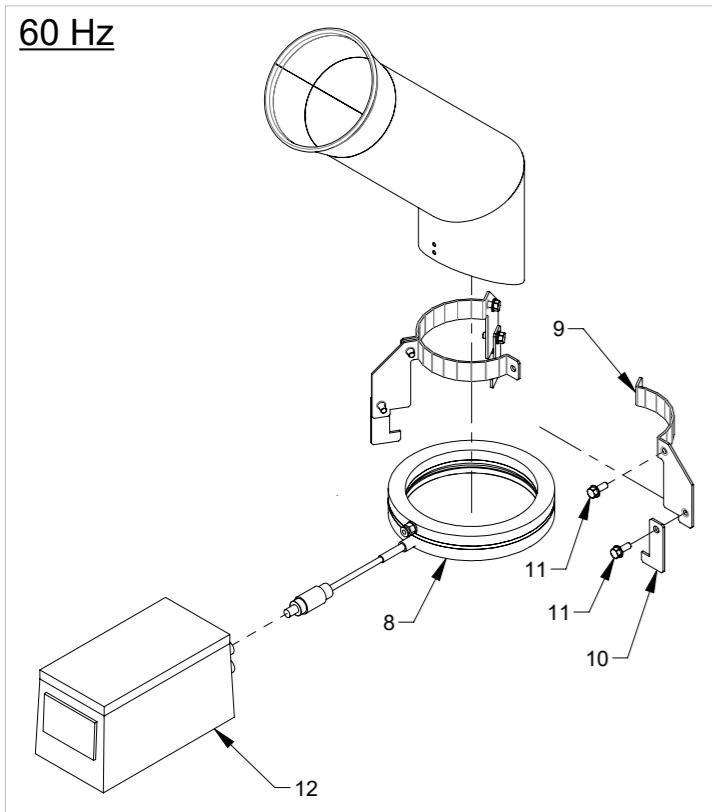
Fig.	Part no.	Pieces	Notes
1	100 316 004	4	Lock nut M10 (for motor K21R)
2	100 331 006	4	Flat washer M10 (for motor K21R)
3	100 501 130	1	AC Motor 90L-2p B5 2,2(2,2)kW 3x230/400(460)V 50(60)Hz IE3 UL/CSA
	100 501 146	1	K21R 90 L2 2.2 kW B5 200 V-50 Hz/220 V-60 Hz
	100 551 064	1	182TC-3 HP-460 V-60 Hz-3450 rpm-VM3610T
4	100 551 065	1	182TC-3 HP-575 V-60 Hz-3450 rpm-CEM3610T-5
5	100 316 003	8	Lock nut M8
6	100 331 005	8	Flat washer M8
7	100 306 015	8	Set screw M8 x 20 mm
	131 021 023	1	For motor K21R
8	131 021 047	1	For motor 182TC
9	100 331 043	4	Flat washer 1/2" (for motor 182TC)
	100 306 030	4	Set screw M10 x 30 mm (for motor K21R)
	100 323 357	4	Set screw UNC 1/2" x 1" (for motor 182TC)
11	92563121106	1	Blower housing for MTD22 blower, spaceblue
12	92563121504	1	Rotor for MTD22 blower, R 50Hz, for motor K21R
	125 200 205	1	For motor K21R 60 Hz
	125 200 203	1	For motor 182TC
13	121 000 021	1	Washer (for motor K21R)
	121 000 060	1	Washer (for motor 182TC)
14	100 332 003	1	Star washer M8 (for motor K21R)
	100 332 004	1	Star washer M10 (for motor 182TC)
15	100 308 032	1	Set screw M8 x 35 mm (for motor K21R)
	100 356 025	1	Set screw UNC 3/8" x 3/4" (for motor 182TC)
16	131 021 026	1	
17	100 306 015	8	Set screw M8 x 20 mm
18	100 331 005	8	Flat washer M8
19	100 316 003	8	Lock nut M8
21	100 316 004	8	Lock nut M10
22	100 331 006	8	Flat washer M10
23	125 100 151	1	
24	100 306 030	8	Set screw M10 x 30 mm
25	122 050 110	1	Bolt clamp OK200



50 Hz



60 Hz



Pos.	Pcs.	Part no.	Description
1	1	131021160	KIA 20 antistatic equipment 1x230V 50Hz
2	1	100503420	Ionisator ring set Haug Ø180/Ø220
3	3	131021162	Bracket for antistatic ring and inlet pipe KIA 20
4	3	131041147	Bracket for ring
5	6	100323454	Thread forming flange screw M8x20 DIN 7500D
6	1	100503422	Power supply for ionisator ring 230V / 50Hz
7	1	131021161	KIA 20 antistatic equipment 1x115V 60Hz UL/CSA
8	1	100503420	Ionisator ring set Haug Ø180/Ø220
9	3	131021162	Bracket for antistatic ring and inlet pipe KIA 20
10	3	131041147	Bracket for ring
11	6	100323454	Thread forming flange screw M8x20 DIN 7500D
12	1	100503423	Power supply for ionisator ring 115V / 60Hz UL/CSA



**Kongskilde Industries A/S**  
Skælskørvej 64  
DK - 4180 Sorø  
Tel. +45 72 17 60 00  
[mail@kongskilde-industries.com](mailto:mail@kongskilde-industries.com)  
[www.kongskilde-industries.com](http://www.kongskilde-industries.com)

