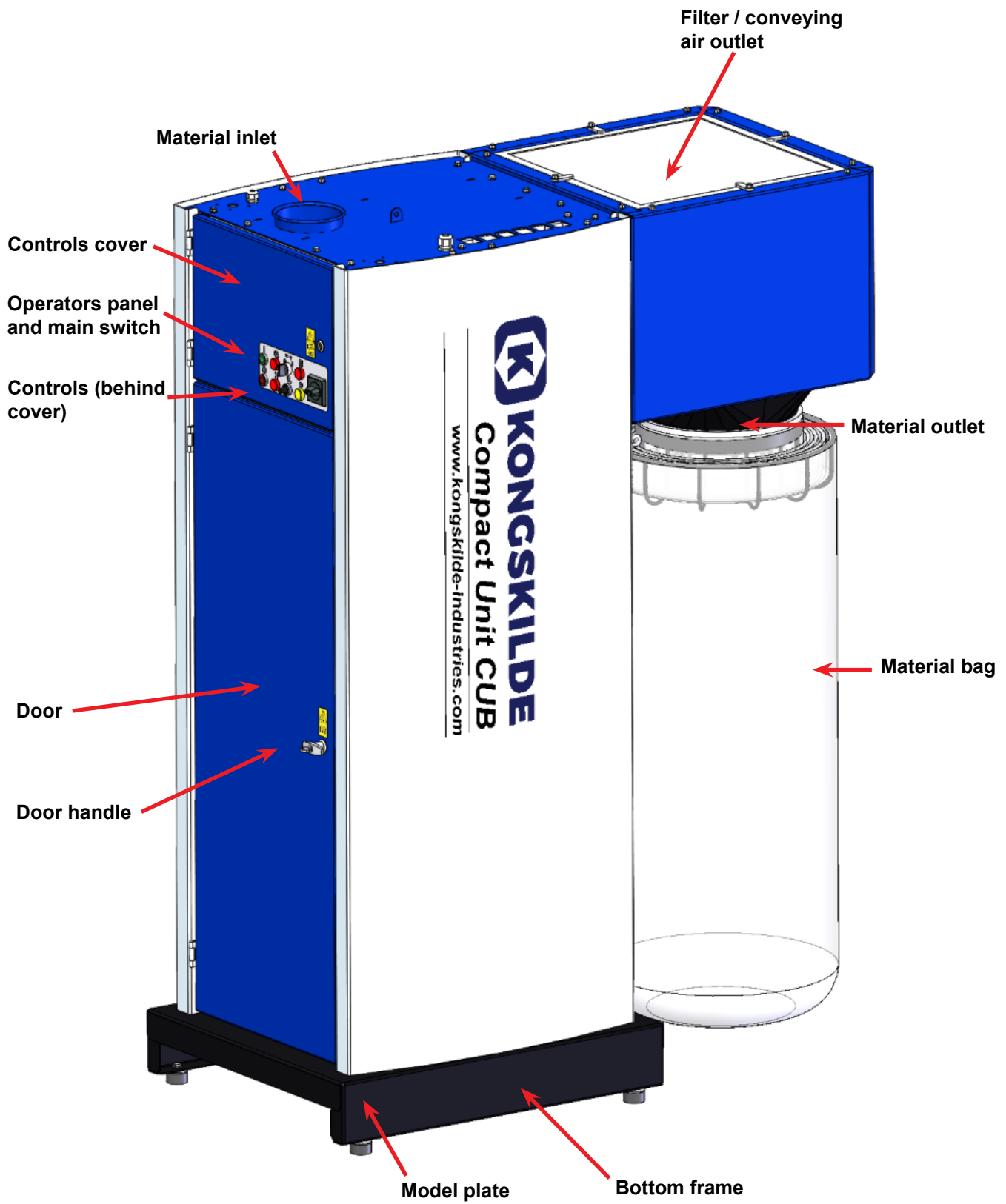


Compact Unit CUB 1620/1640

All-in-one unit



Manual
Betriebsanleitung
Manuel de service
Instrucciones de funcionamiento
Podręcznik użytkownika
Gebruiksaanwijzing
Brugsanvisning



EN

This manual applies to the Kongskilde Compact Unit CUB.

The target group for this manual are operators, (electrical) installers as well as maintenance- and service staff.

Description:

The product is a all-in-one unit, containing cutter, blower and separator, designed to suck up cut strips of paper and plastic / metal foil, and cut the strips. CUB can also handle adhesive or statically charged films if respectively oil lubrication or anti-static equipment is installed. However, both can not be combined as the oil limits the effect of the anti-static equipment.

Recommended material thickness is 40 - 300µm. The cut material is blown out through the separator and then falls into the bag. The bags can either be a single piece or an endless bag that is mounted in a holder (accessory). Additionally, a Waste Screw Compactor can be installed under the separator, which will compress the material and feed it into either an endless bag or a container (or similar).

The conveying air is purified in a built-in filter and sent out of the CUB. A HEPA filter can be retrofitted (accessory), which makes it possible to exhaust directly into the production room, depending on local requirements for air quality.

The CUB is designed to be easily moved using a pallet lifter or forklift, and can easily be connected to the piping with a quick clamp at the top of the CUB.

Operation of the CUB takes place on the front, where it can be started and stopped, and blower speed adjusted. On the back, the material bag is exchanged.

The CUB is not designed for moist or hard materials. The CUB is available with integrated cutter and with external cutter.

Warning notes:

Avoid accidents by always following the safety regulations stated in the user manual and on the CUB.

The CUB must be mounted in a closed pipe system, with no access for people to moving parts.

There is a risk of damage to the CUB if foreign bodies are sucked up / dropped into the pipe system.

Lack of supervision of the CUB can lead to wear and tear of vital parts, see section "Service and maintenance".

The installation and fastening must be carried out in accordance with regulations (see section "Installation"), otherwise the stability will deteriorate and the wear and tear will increase.

Make sure all covers and doors are in place and properly secured / closed during operation.

Always disconnect power and pressurized air to the CUB prior to repair and maintenance. The main switch must be switched off and locked (with e.g. a padlock) to ensure the CUB cannot be started by mistake.

Be careful when servicing the cutter or blower - the cutter's blades are very sharp and should only be handled with gloves. Similarly, never start the blower when the hatch over the blower has been removed.

Ensure that there are safe access routes that can be used for repair and maintenance of the CUB. The working area around the CUB should be clear and trip free so that there is no risk of falling accidents. Ensure sufficient lighting conditions for safe operation of the CUB.

Be careful not to tear or pinch fingers when changing bags.

Watch out for eye injuries. If there are small particles in the material being transported, they can be blown out through the separator together with the conveying air. Wear goggles in the vicinity of the separator when changing bags etc. and avoid head injuries on the edge of the bag holder.

If CUB is equipped with an oil lubrication system for use with adhesive films, care must be taken when handling the oil system. If oil gets on your skin, clean thoroughly with soap and water. In case of oil in the eyes, rinse thoroughly with water and in case of irritation, seek medical attention.

In addition, protective goggles must be worn when handling the oil and when changing bags with the oil system activated.

If abnormal vibrations or noise are observed, the CUB must be stopped immediately, and the cause investigated.

If there is any doubt, seek qualified assistance for possible repair and maintenance.

Make sure that the CUB stands on a stable, level surface so that it is secured against falling and tipping over.

Be careful not to get fingers or hands pinched when opening or closing the doors.

The CUB's blower speed can be set steplessly using the operator panel. In order not to overload the blower and motor, the speed cannot be set higher than what the blower is designed for. It is not permitted to modify the electrical equipment to increase the blower's maximum speed.

The CUB is designed so that it is not possible to come into contact with rotating parts during normal operation. However, be aware that if covers are removed and the CUB is started, there is risk of personal injury.

If CUB is equipped with an external cutter, please refer to its user manual for safety and installation. All pipe joints at a distance of at least 850 mm before and after the cutter must be made with bolt clamp connections, so tools must be used for disassembly and access to the cutter's rotor. The CUB main switch does not disconnect the external cutter's motor and other accessories, and therefore a separate safety switch is needed for the cutter.

Warning signs:

Avoid accidents by always following the safety instructions which are specified in the manual and on the CUB.

Warning labels with symbols without text are located on the CUB. The meaning of the symbols is explained below. If a warning label gets damaged, and is no longer legible, it must be replaced. New labels are available in the spare parts list.



Read the user manual carefully and pay attention to the warning texts in the user manual and on the CUB.



Always disconnect the power to the CUB before repair and maintenance and ensure that it cannot be started by mistake.



Never put your hand into the cutter or blower while CUB is in operation.

Installation:

The CUB is delivered ready for use from the factory, and only needs to be connected to the electricity supply, pressurized air and piping on the inlet, and have bags fitted.

If the CUB has to be moved, a forklift truck, pallet jack or similar device shall be used to lift under the bottom frame of the CUB, at the end where the operator panel is mounted (opposite the bag connection).

The forks shall be approximately 1.100 mm or more. It is important that the CUB is set level, otherwise the doors cannot close correctly. Adjustment can be made on the 4 machine shoes under the CUB's bottom frame.

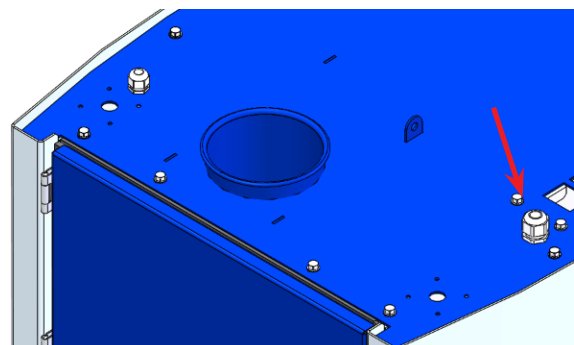
Weight, see back of manual.

Electrical installation:

Power must be connected by an authorized electrical installer. All electrical installations must be carried out in accordance with applicable local legislation. Check that the electrical supply on site matches the specifications of the CUB.

When connecting the CUB, do the following:

1. The supply cable is led to the CUB.
2. Open the door and controls cover on the front.
3. Guide the supply cable through the top of the CUB, through the cable relief.



4. Connect the cable to the main switch.

5. Tighten the cable relief on the top of the CUB.
If desired, the cable can be further relieved with a cable tie in the T-track to the right of the main switch.
6. Close the doors and cover.

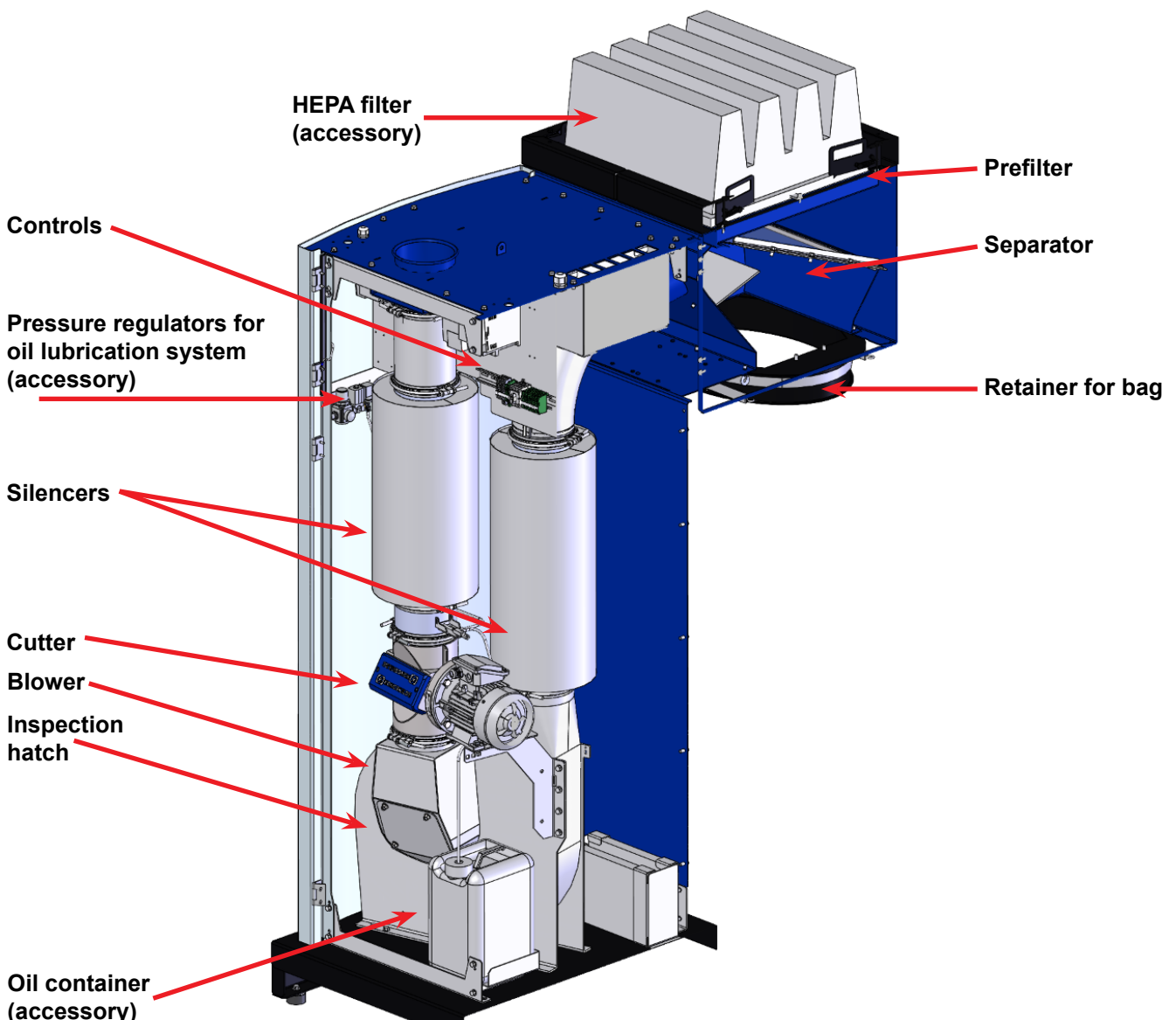
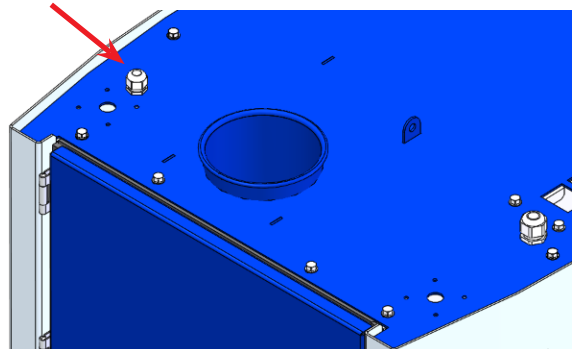
Compressed air connection is made by running a Ø8mm compressed air hose through the cable relief at the top and connect the hose to the **Oil lubrication system** (accessory).

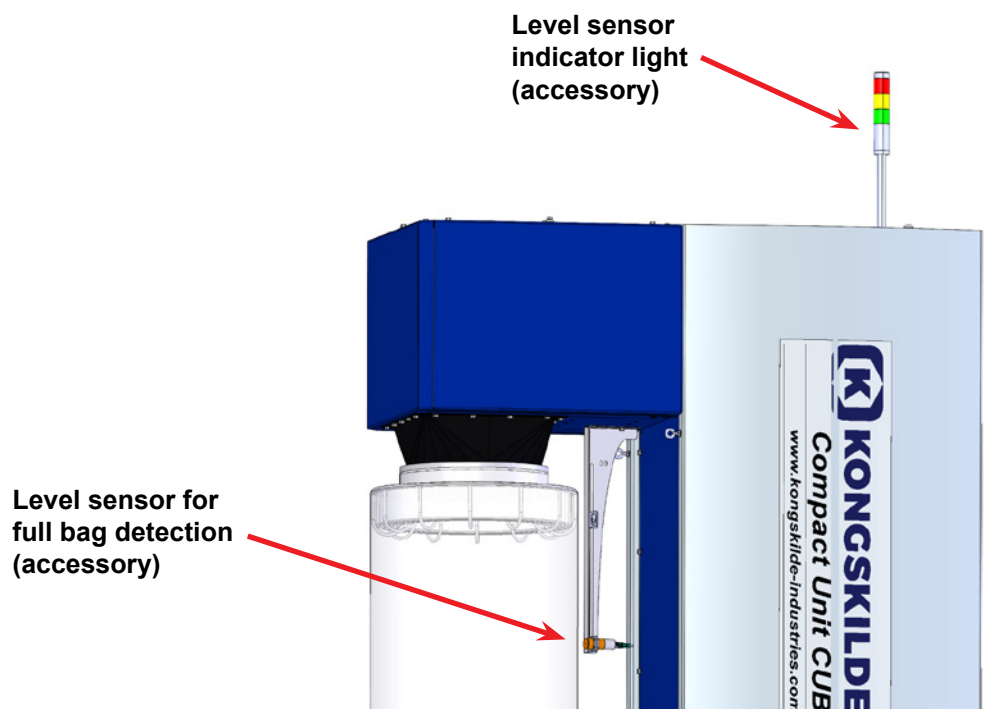
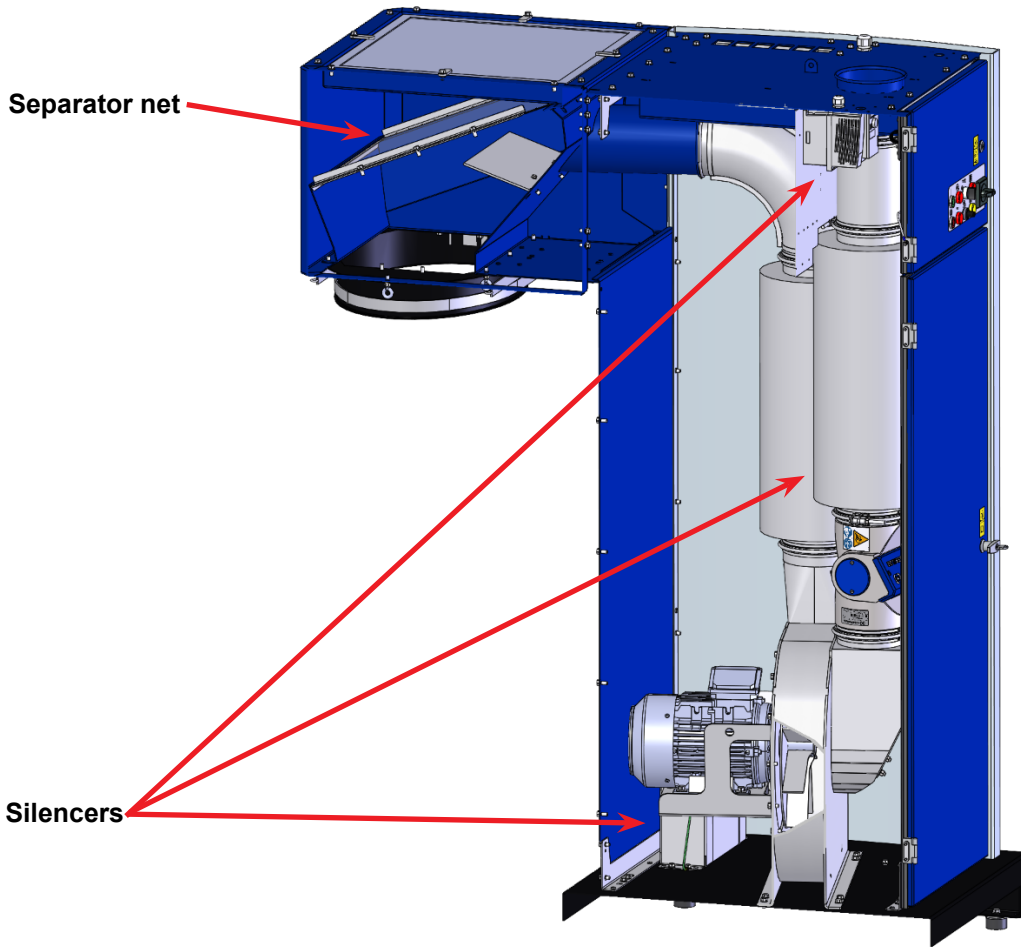
Fuse: 16A - 3x400V 50Hz

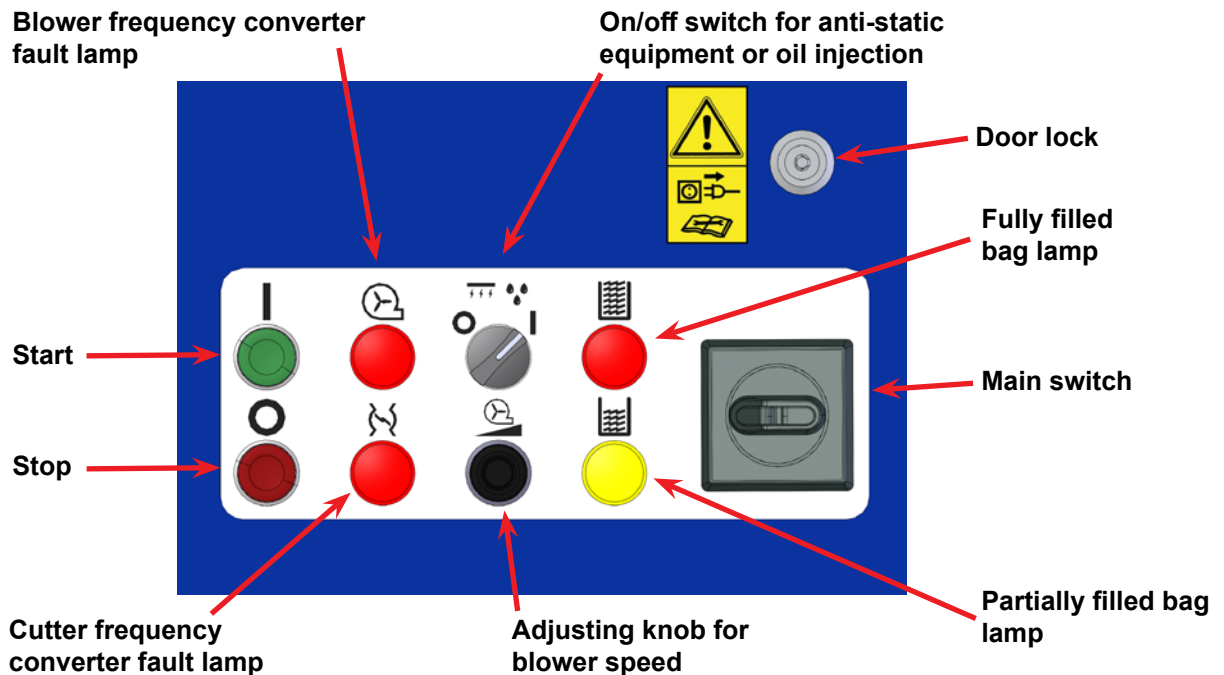
If an HPFI residual current relay is required on the power supply to the CUB, it must be a 300mA type B relay, since the control contains built-in frequency converters.

Circuit breaker for control and operator panel

The control and operator panel are powered by a 24V DC power supply. This power supply is protected by a circuit breaker that is supplied switched on, but can trip in case of overload.







Operation:

Start

Main switch - set to On / I

Green start switch - is pressed to start the CUB. Blower and cutter are running. The button lights up green during operation.

Adjusting knob for blower speed

After starting the CUB, the blower speed is adjusted up until the material suction is sufficient. Then lower the speed of the blower until the suction is reduced below an acceptable level, and increase the speed of the blower slightly until the material suction is optimal again.

Stop

Red stop switch - is pressed to stop the CUB. Blower and cutter stops.

Blower frequency converter fault lamp

Lights up red when the main switch is switched On, if the control detects an error on the blower's frequency converter, or if the converter's circuit breaker is Off. See section "Troubleshooting" if necessary. The CUB can not be started and the red lamp at the traffic light will also come on.

Cutter frequency converter fault lamp

Lights up red when the main switch is switched On, if the control detects an error on the cutter's frequency converter, or if the converter's circuit breaker is Off. See section "Troubleshooting" if necessary. The CUB can not be started and the red lamp at the traffic light will also come on.

On/off switch for anti-static equipment or oil injection (accessory)

Set the switch to On to switch on the anti-static equipment in the separator, or the oil lubrication.

Partially filled bag lamp (accessory)

Switches on and lights yellow when the material bag is filled approx. 80%. If the CUB is switched off at the main switch and switched again, the indicator lamp will light up immediately until the bag is replaced. The material bag should be changed as soon as possible and at the latest before the red indicator lamp comes on. The lamp is supplemented by a yellow lamp in the traffic light on the top of the CUB.

Fully filled bag lamp (accessory)

Switches on and lights red when the material bag is completely filled. The CUB stops to avoid material waste. If CUB is switched off at the main switch and switched on again, the indicator lamp will come on immediately and the CUB cannot be started until the bag is replaced. In the control is an adjustable timer that determines how long it takes from when the level sensor detects a full bag until the indicator light up red and the CUB stops. The lamp is supplemented by a red lamp in the traffic light on the top of the CUB.

Fitting / replacing the bag

The easiest way to install the bag is to guide it around the separator outlet with both hands where after the rubber strap is unhooked from one eye, passed around the outlet, and hooked onto the other eye. Repeat with the other luggage strap.

Wear protective goggles when changing bags with a running blower, see section "Warning notes".

When the bag is full, do the following:

- Stop the CUB on the start/stop switch
- Loosen the rubber strap and hook it into the eye-lets
- Tie the bag with e.g. a cable tie
- Fit a new bag
- Start the CUB on the start/stop switch

It is advantageous to use an endless bag, which will make it quicker to remove the filled bag and thus not interrupt the material suction any longer than necessary. See section "Accessories".

Both bag and filter should be inspected regularly, depending on the material, and whether anti-static equipment or oil lubrication system is fitted.

The bags can be purchased from Kongsilde under the following item numbers:

Part no.	Type
100 203 149	Material bag 900 litre (10 pcs.)
100 203 167	Endless material bag (1 pcs.)

Cleaning and replacing the filters - see section "Service and maintenance".

The door handle should be locked and the key removed during normal operation, to prevent unauthorized access to internal components.

Accessories:

Retainer for endless bag

The bag retainer consists of a ring that is mounted under the material outlet, a basket that holds the bag, and a handle that lifts the basket between open and closed position.

The endless bag retainer is mounted under the separator and in the back plate of the cabinet. The endless material bag is placed in the basket and when the bag is full, do the following:

- Stop the CUB on the start/stop switch
- Pull down the bag slightly, and tie off with e.g. two cable ties mounted at a distance of approx. 5 cm
- Cut the bag between the two cable ties and pull the empty bag down to the floor
- Start the CUB on the start/stop switch

NB - Do not remove the cable ties from the endless bag, before it is placed in the bag holder, otherwise there is a risk that the bag will slip and become difficult to place in the bag holder.

HEPA filter

The filter is mounted on top of the separator and supplements the standard fitted pre-filter (F7). The HEPA filter ensures that the exhaust air from the CUB is cleaned of material residues and dust, and makes it possible to exhaust directly into the production room, depending on local air quality requirements. The filter is held in place by the 4 included steel rails (the 4 brackets holding the pre-filter are removed before installation).

Level sensor for full bag detection

The sensor detects when the bag is about to be or is full. The signal activates a traffic light on top of the CUB according to the following colour indications:

- Red = The bag is completely full and the CUB has stopped
- Yellow = The bag is approx. 80% full or more
- Green = The CUB is operating normally

The sensor is mounted on the supplied bracket beneath the separator and connected to the CUB control unit in accordance with the enclosed instructions. The sensor's position can be adjusted on the bracket.

NB – in the event of a fault in the blower's or cutter's frequency converter, the red lamp in the traffic light will also illuminate, and the CUB will stop.

Oil lubrication system

The system consists of an oil reservoir, an injection nozzle, a pressure regulator and a timer.

The oil system adds a quantity of oil into the pipework through an adjustable nozzle before the cutter. The oil is further atomised in the cutter, which lubricates the blower and separator. This prevents sticky/adhesive materials from blocking the CUB. The system is powered by compressed air and a 24VDC timer, and contains an integrated 10 litre container.

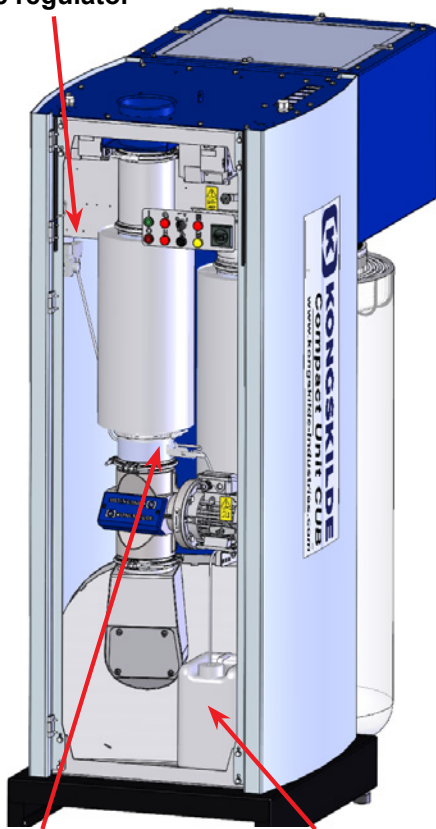
It is possible to adjust the amount of oil on the nozzle and on the timer in the control, depending on the need (how sticky the material is, how much material is being transported and the viscosity of the oil).

Recommended settings

- The injection nozzle comes set to 1 turn from 0 (can be set between 0 - 10 turns)
- The timer comes set for oil injection 50% of the time (can be set between 0 - 100%)
- The pressure regulator comes set to 2,5 bar (adjustable between 0,5 - 2,5 bar)

If you want to check the amount of oil injected, the easiest way is to remove the suction hose from the oil container and place the hose in a small open container of oil. This allows you to check how much oil is absorbed, e.g. in 5 minutes. The oil lubrication system can be switched on/off on the operator panel.

Pressure regulator



Oil injection nozzle

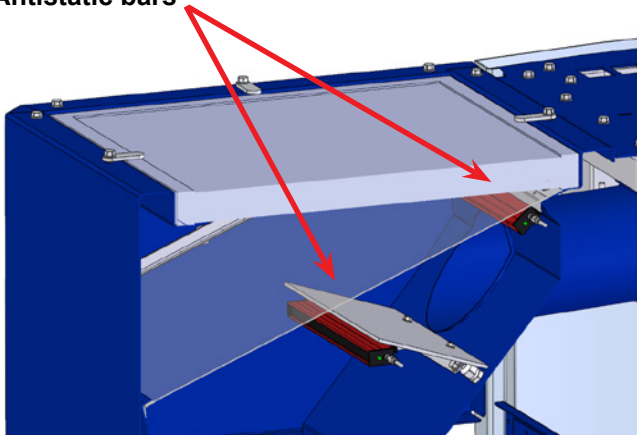
10 litre container

Anti-static equipment

The equipment is mounted in the separator, avoiding material sticking to the net and the top of the of the bag. After this, the anti-static effect decreases downwards in the bag. The equipment comes complete with anti-static bars, bracket and wires. The equipment can be switched on/off on the operator panel.

NB - if problems with static electricity occur before the CUB separator, this must be solved with anti-static equipment mounted on the pipe string immediately after the point where the material pick-up pipes meet.

Antistatic bars

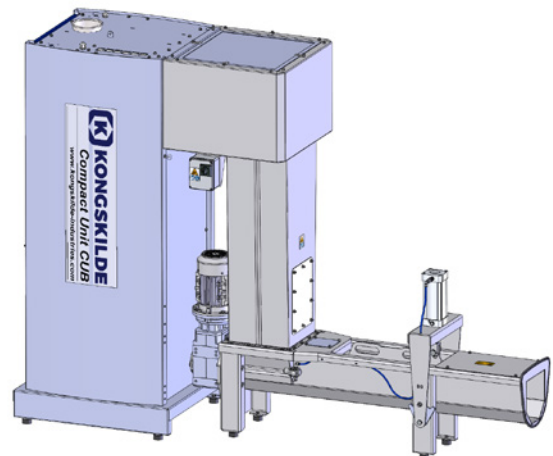


Waste Screw Compactor

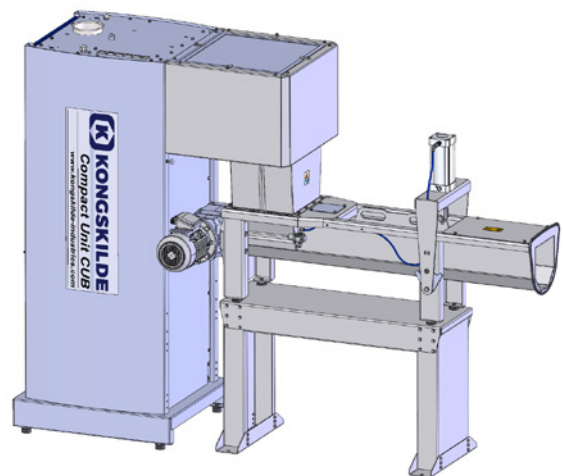
The product is a compactor containing an auger mounted in a trough. The auger is driven by a gear motor, and at the end of the auger, the fed material is compressed against an adjustable compression flap. The compactor can compress cut strips of paper, plastic and metal foil, and is mounted under the material separator on the CUB. The compactor can also handle statically charged foils and adhesive materials if oil lubrication is installed (however, the compactor must be the non-stick version, designed for adhesive materials).

The compactor is available in two versions, for floor or stand mounting.

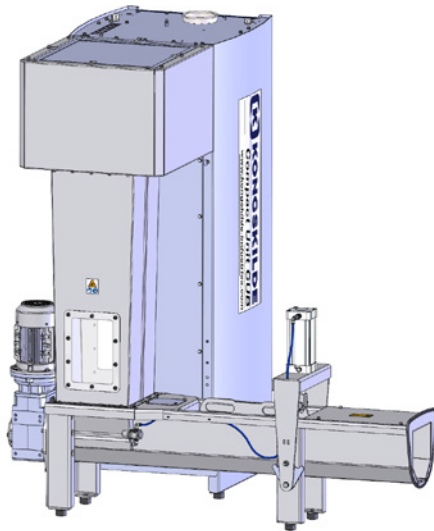
Compactor placed on the floor, on which an endless bag can be placed at the material outlet.



The compactor is placed on a stand, on which a container or similar can be placed at the material outlet.



The compactor can be mounted either in-line with the CUB or at a right angle, on either side (see the dimensional sketch at the back of the compactor manual).



"Operation"). The filters should be replaced or possibly cleaned with compressed air. Loosen the pre-filter by turning the 4 brackets at the top of the separator. If the CUB is equipped with a HEPA filter, this should be removed first, by turning the 4 handles.

The filters can be purchased from Kongskilde under the following item numbers:

Part no.	Type
100 203 147	Upper HEPA filter (1 pcs.)
100 203 148	Lower pre-filter (1 pcs.)

The HEPA filter can be replaced with another filter type of similar dimensions when replacing.

Cutter

It should be regularly checked whether the cutter is cutting satisfactorily. It is very dependent on the material and quantity when adjustment / sharpening of the blades should take place.

Service and maintenance:

All service, maintenance and repair must be carried out by qualified or instructed persons.

Always disconnect the power and compressed air (if installed) to the CUB before repair and maintenance and lock the main switch so that the CUB cannot be started by mistake.

Check wiring connections for securement and insulation annually, including the earth connection.

The motor bearings are factory lubricated and do not require additional lubrication. Ensure that there is always unobstructed access of cooling air to the motors. The blower rotor is mounted directly on the motor shaft, therefore there are no bearings in the blower itself.

The blower must have the rotor and blower housing regularly checked for breaks, cracks and wear, most easily through the inspection hatch and the material outlet pipe.

Operating with a blower is dangerous, if the rotor and/or blower housing is worn or damaged. In addition, operating with a worn rotor will reduce the life of the motor bearings. Furthermore, it must be checked, if a layer of material has built up that could cause an imbalance in the rotor and reduce the efficiency of the blower. When cleaning off the material, this must be done thoroughly and evenly, so that no further imbalance in the rotor occurs.

Filters

When the pre- and HEPA filters are getting clogged, the bag will become increasingly over stretched and the material suction will be reduced (see section

Troubleshooting:

Fault	Cause	Remedy
Insufficient material suction	<p>Bag filled with material. If the CUB is equipped with a level sensor (accessory), the red indicator will light up - see section "Operation".</p> <p>Pre-filter (and possibly HEPA filter) clogged.</p> <p>Blower speed set too low.</p> <p>Material is added in excessive amount.</p> <p>Oil lubrication system (accessory) is not working properly (with sticky materials).</p> <p>Anti-static equipment (accessory) is not working properly (with static materials)</p>	<p>Replace the bag. If necessary, the CUB must also be emptied of material before it is started again.</p> <p>Clean or replace filters, see section "Service and maintenance".</p> <p>Increase blower speed.</p> <p>Reduce material amount.</p> <p>Check oil lubrication system. If necessary, the CUB must also be emptied of material before it is started again.</p> <p>Check anti-static equipment. If necessary, the CUB must also be emptied of material before it is started again</p>
Material not cut sufficiently	Cutter knives worn.	Cutter knives grinded or replaced.
CUB will not operate	<p>Lack of supply voltage (e.g. fuses defective).</p> <p>Blower- or cutter motor defect.</p> <p>Frequency converter or other electrical components defect. Check the frequency converter fault lamps on the frequency converter - see section "Operation".</p> <p>Excessive drop in voltage supply.</p> <p>Cutter blocked by material (does not rotate) - the control lamp for frequency converter fault will light up</p>	<p>Connect supply voltage.</p> <p>Replace motor.</p> <p>Replace components.</p> <p>Replace cables with larger cross-sections or locate other cause of voltage drop.</p> <p>Switch off and lock main switch, remove blockage in cutter, blower, etc. and change to another material if necessary</p>
Material bag abnormally expanded	Too high pressure in the bag due to clogged pre-filter or screen	Pre-filter (and possibly HEPA filter) is checked and cleaned or replaced if necessary. If this does not help, check/clean the screen in the separator. If the CUB is equipped with anti-static bars, these can be checked on the LED at the end of the bar. If this is off, the bar is defective. If the LED flashes, the bar must be cleaned

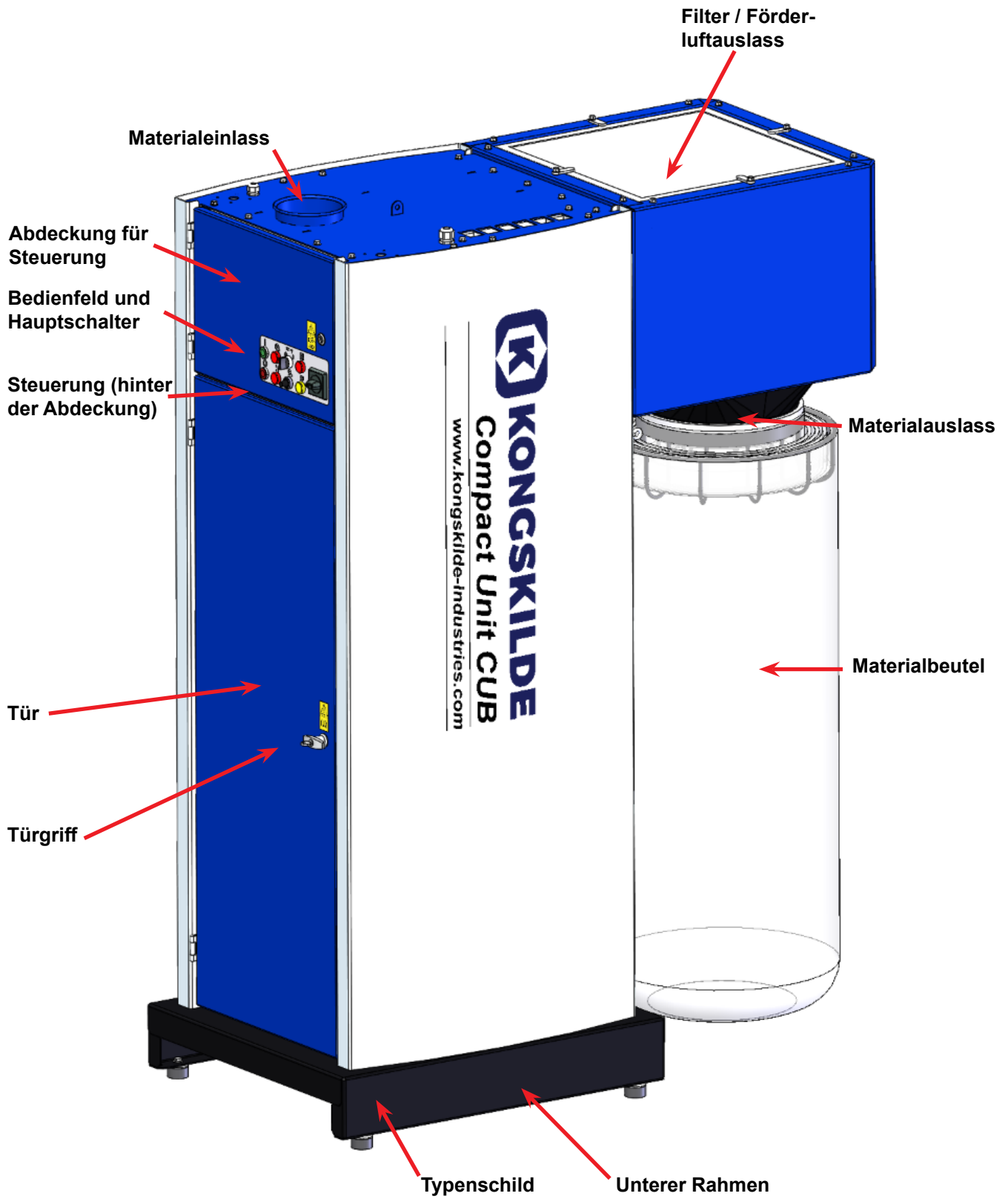
In case of doubt, contact a qualified service technician or Kongskilde's service department.

Technical data:

Max. static pressure setup	4.750 Pa
Material thickness	40 - 300 µm
Blower output CUB 1620	2,2 kW
Blower output CUB 1640	4 kW
Cutter motor	0,75 kW / 1.500 rpm
Power supply CE	3 x 400V - 50Hz - 16A
Power supply UL/CSA	3 x 460V - 60Hz - 16A
Compressed air supply (at 175 l/min)	Min. 2,5 bar - max. 8 bar
Weight	400 kg
Height x width x length	2.150 x 800 x 1.570 mm
Pipe connection at inlet	OK 160
Pre-filter	Panel filter F7
Main filter	HEPA cassette filter H14*
Sound pressure level Lp (1 meter)	Max. 80 dBA**

*: Or similar

** : Sound pressure level is excl. material and higher levels are to be expected when CUB handles material.



DE

Dieses Handbuch gilt für den Kongskilde Compact Unit CUB. Die Zielgruppe für dieses Handbuch sind Bediener, (Elektro-) Installateure sowie Wartungs- und Servicemitarbeiter.

Beschreibung:

Das Produkt ist eine All-in-One-Einheit, bestehend aus Cutter, Gebläse und Separator, die zum Aufsaugen und Schneiden von Papier- und Kunststoff-/Metallfolienstreifen konzipiert ist. CUB kann auch klebende oder statisch aufgeladene Folien verarbeiten, wenn eine entsprechende Ölschmierung oder Antistatikausrüstung installiert ist. Beide können jedoch nicht kombiniert werden, da das Öl die Wirkung der antistatischen Ausrüstung einschränkt.

Die empfohlene Materialstärke beträgt 40 - 300µm. Das geschnittene Material wird durch den Separator ausgeblasen und fällt dann in den Beutel. Die Säcke können entweder aus einem einzigen Stück bestehen, oder als Endlosbeutel in einer Halterung (Zubehör) montiert sein.

Zusätzlich kann ein Schraubverdichter (Waste Screw Compactor) zur Montage unter dem Separator erworben werden, der das Material verdichtet und es entweder in einen Endlosbeutel oder einen Container oder Ähnliches leitet.

Die Förderluft wird in einem eingebauten Filter gereinigt und aus die CUB geleitet. Ein HEPA-Filter kann nachgerüstet werden (Zubehör), so dass die Abluft je nach den örtlichen Anforderungen an die Luftqualität direkt in den Produktionsraum geleitet werden kann. Die CUB ist so konstruiert, dass sie mit einem Palettenhubwagen oder Gabelstapler leicht transportiert werden kann und mit einer sich an ihrer Oberseite befindlichen Schnellverschlusskupplung einfach an die Rohrleitungen angeschlossen werden kann.

Die Bedienung die CUB erfolgt an der Vorderseite, wo sie gestartet und gestoppt und die Gebläsedrehzahl eingestellt werden kann. Auf der Rückseite wird der Materialbeutel ausgetauscht.

Die CUB ist nicht für feuchte oder harte Materialien geeignet.

Die CUB ist sowohl mit integriertem, als auch mit externem Cutter erhältlich.

Warnhinweise:

Vermeiden Sie Unfälle, indem Sie stets die im Handbuch und an die CUB angegebenen Sicherheitshinweise beachten. Die CUB muss in einem geschlossenen Rohrleitungssystem montiert werden, ohne dass Personen Zugang zu beweglichen Teilen haben. Fallen Fremdkörper in das Rohrleitungssystem, oder

werden eingesaugt, besteht die Gefahr, dass die CUB beschädigt wird.

Eine mangelnde Beaufsichtigung die CUBs kann zum Verschleiß wichtiger Teile führen, siehe Abschnitt „Service und Wartung“.

Installation und Befestigung müssen in Übereinstimmung mit den Vorschriften erfolgen (siehe Abschnitt „Installation“), da sonst die Stabilität beeinträchtigt wird, und der Verschleiß zunimmt.

Achten Sie darauf, dass alle Abdeckungen und Türen vorhanden und im Betrieb ordnungsgemäß gesichert sind.

Trennen Sie vor Reparatur- und Wartungsarbeiten immer die Strom- und Druckluftversorgung zur CUB. Der Hauptschalter muss ausgeschaltet und abgesperrt sein (z. B. mit einem Vorhängeschloss), um sicherzustellen, dass die CUB nicht versehentlich gestartet werden kann.

Seien Sie vorsichtig, wenn Sie den Cutter oder das Gebläse warten - die Klingen des Cutters sind sehr scharf und sollten nur mit Handschuhen angefasst werden. Ebenso darf das Gebläse niemals gestartet werden, wenn die Abdeckung über dem Gebläse entfernt wurde.

Achten Sie auf sichere Zugangswege, die für Reparatur- und Wartungsarbeiten an die CUB genutzt werden können. Der Arbeitsbereich rund um die CUB sollte unverstellt und frei von Stolpergefahren sein, um das Risiko von Unfällen durch Stürze zu vermeiden. Sorgen Sie für ausreichende Lichtverhältnisse, um die CUB sicher bedienen zu können.

Achten Sie darauf, dass Sie sich beim Wechseln der Beutel nicht die Finger einreißen oder einklemmen.

Vorsicht vor Augenverletzungen. Wenn sich kleine Partikel im Fördergut befinden, können diese zusammen mit der Förderluft durch den Separator ausgeblasen werden. Tragen Sie in der Nähe des Separators beim Beutelwechsel usw. eine Schutzbrille und vermeiden Sie Kopfverletzungen an der Kante der Beutelhalterung.

Wenn die CUB mit einem Ölschmiersystem für die Verwendung mit Klebefilmen ausgestattet ist, muss beim Umgang mit dem Ölsystem vorsichtig vorgegangen werden. Falls Öl auf Ihre Haut gelangt, reinigen Sie sie gründlich mit Wasser und Seife. Falls Öl in die Augen gelangt, spülen Sie diese gründlich mit Wasser aus und suchen Sie bei einer Reizung einen Arzt auf. Außerdem muss beim Umgang mit dem Öl und beim Beutelwechsel mit aktiviertem Ölsystem eine Schutzbrille getragen werden.

Falls abnormale Vibrationen oder Geräusche festgestellt werden, muss die CUB sofort gestoppt, und die Ursache muss untersucht werden. Suchen Sie sich im Zweifelsfall qualifizierte Hilfe für eine eventuelle Reparatur und Wartung.

Achten Sie darauf, dass die CUB auf einer stabilen, ebenen Fläche steht, sodass er gegen Umfallen und Umkippen gesichert ist.

Achten Sie darauf, dass Sie sich beim Öffnen und Schließen der Türen nicht die Finger oder Hände einklemmen.

Die Drehzahl für das Gebläse die CUB kann über das Bedienfeld stufenlos eingestellt werden. Um das Gebläse und den Motor nicht zu überlasten, kann die Drehzahl nur bis zu dem Sollwert, für den das Gebläse ausgelegt ist, eingestellt werden. Es ist nicht zulässig, die elektrische Ausrüstung zur Erhöhung der maximalen Gebläsedrehzahl zu modifizieren.

Die CUB ist so ausgelegt, dass es im normalen Betrieb nicht möglich ist, mit rotierenden Teilen in Berührung zu kommen. Beachten Sie jedoch, dass wenn Schutzvorrichtungen entfernt wurden, bei Inbetriebnahme die CUB Verletzungsgefahr besteht.

Wenn die CUB mit einem externen Schneidgerät ausgestattet ist, lesen Sie bitte dessen Benutzerhandbuch für Sicherheit und Installation.

Alle Rohrverbindungen in einem Abstand von mindestens 850 mm vor und nach dem Schneidgerät müssen mit Schraubklemmverbindungen hergestellt werden, so dass für die Demontage und den Zugang zum Rotor des Schneidgeräts Werkzeuge verwendet werden müssen.

Die CUB Hauptschalter schaltet den Motor des externen Schneidgeräts und andere Zubehörteile nicht ab, so dass ein separater Sicherheitsschalter für das Schneidgerät erforderlich ist.

Warntafeln:

Vermeiden Sie Unfälle, indem Sie stets die im Handbuch oder am Gebläse angegebenen Sicherheitshinweise beachten.

Am Gebläse befindet sich Warnschilder mit Symbolen ohne Text. Die Bedeutung der Symbole ist nachstehend erklärt. Wenn ein Warnschild beschädigt wird und nicht mehr lesbar ist, muss es ersetzt werden. Neue Schilder finden Sie in der Ersatzteilliste.



Lesen Sie das Handbuch sorgfältig durch und beachten Sie die Warntexte im Handbuch und am CUB.



Trennen Sie vor Reparatur- und Wartungsarbeiten immer die Stromversorgung zum CUB, und stellen Sie sicher, dass er nicht versehentlich gestartet werden kann.



Stecken Sie niemals Ihre Hand in den Cutter oder in das Gebläse, wenn die CUB in Betrieb ist.

Montage:

Die CUB wird ab Werk betriebsbereit geliefert und muss nur noch an die Strom- und Druckluftversorgung sowie die Rohrleitung für den Gebläseeinlass angeschlossen, und mit Beuteln versehen werden. Muss die CUB bewegt werden, ist hierfür ein Gabelstapler, ein Hubwagen, oder ein ähnliches Gerät zum Anheben unter dem unteren Rahmen zu verwenden, und zwar an dem Ende, an dem das Bedienfeld montiert ist (gegenüber dem Beutelanschluss). Die Abmessung der Gabeln sollte etwa 1.100 mm oder mehr betragen. Es ist wichtig, dass die CUB in der Waage rechten steht, da ansonsten die Türen nicht korrekt schließen können. Die entsprechende Justierung kann an den 4 Maschinenschuhen unter dem unteren Rahmen die CUBs vorgenommen werden.

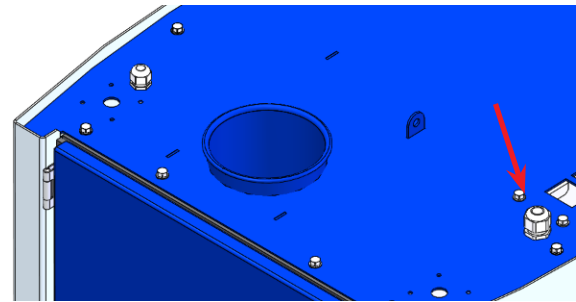
Gewicht, siehe Rückseite des Handbuchs.

Elektrische Installation:

Der Stromanschluss muss von einem autorisierten Elektroinstallateur vorgenommen werden. Alle Elektroinstallationen müssen in Übereinstimmung mit den geltenden örtlichen Vorschriften erfolgen. Überprüfen Sie, ob die Stromversorgung am Standort mit den Spezifikationen die CUBs übereinstimmt.

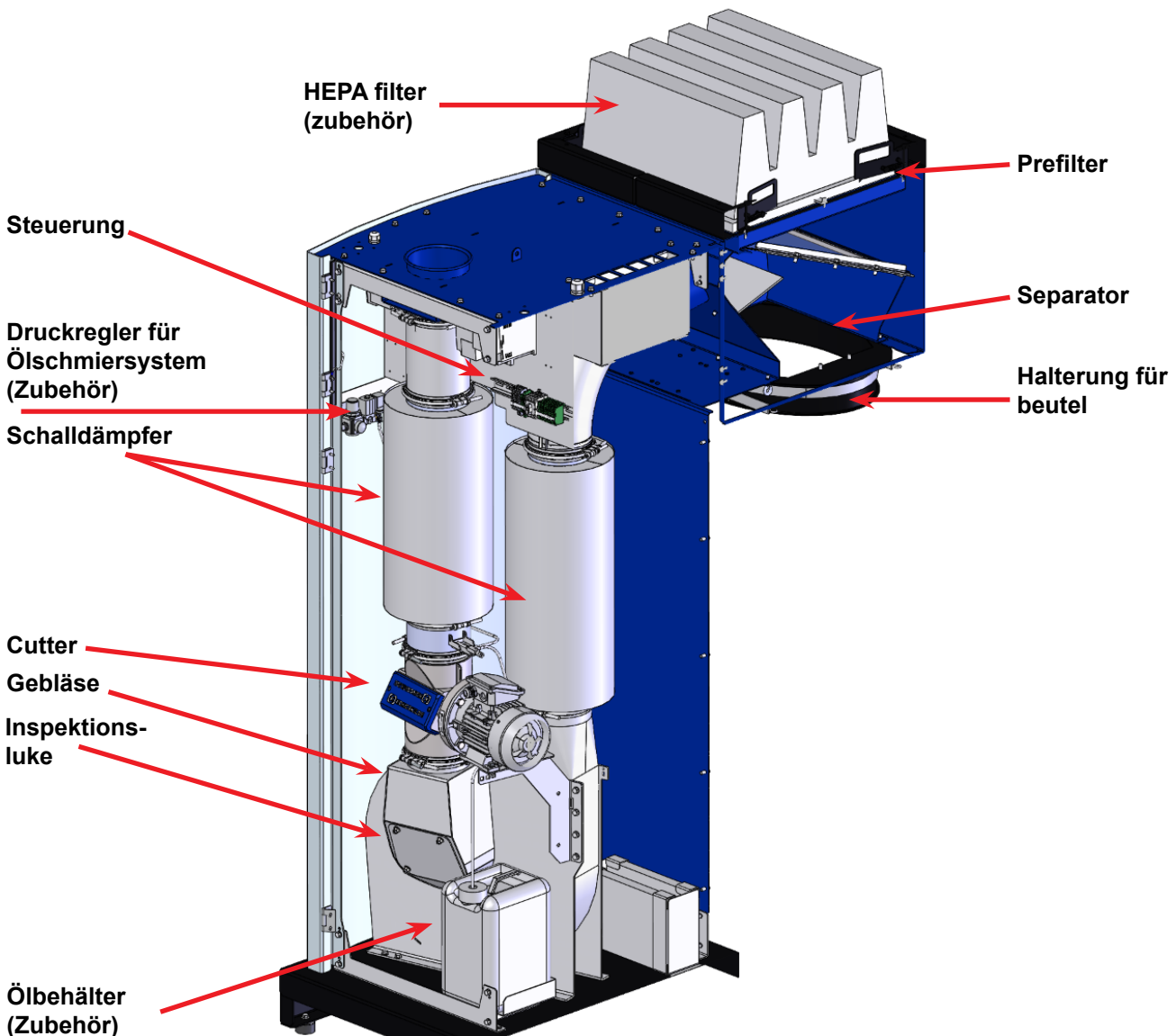
Gehen Sie beim Anschluss die CUBs wie folgt vor:

1. Das Netzkabel wird zum CUB geführt.
2. Öffnen Sie die Tür und die Abdeckung des Steuerung auf der Vorderseite.
3. Führen Sie das Netzkabel durch die Kabelentlastung an der Oberseite die CUB.



4. Schließen Sie das Kabel an den Klemmenblock an.
5. Ziehen Sie die Kabelentlastung auf der Oberseite die CUB fest. Falls gewünscht, kann das Kabel mit einem Kabelbinder in der T-Schiene rechts neben dem Hauptschalter weiter entlastet werden.
6. Schließen Sie die Türen und die Abdeckung.

Absicherung: 16A – 3x400V 50Hz

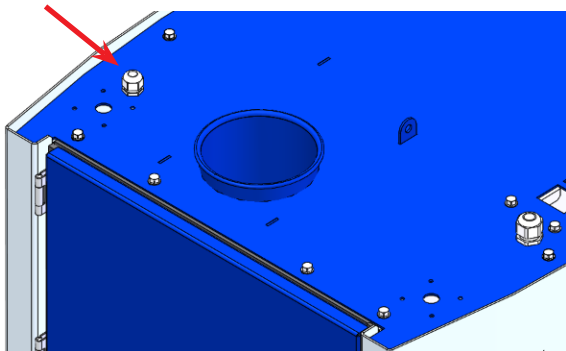


Wenn ein HPFI-Fehlerstromrelais für die Stromversorgung der CPU erforderlich ist, muss es sich um ein 300-mA-Relais des Typs B handeln, da die Steuerung integrierte Frequenzumrichter enthält.

Schutzschalter für Steuerung und Bedienfeld

Die Steuerung und das Bedienfeld werden über eine 24 V DC Stromversorgung gespeist. Diese Stromversorgung ist durch einen Stromkreisunterbrecher geschützt, der eingeschaltet ist, aber bei Überlast auslösen kann.

Der Druckluftanschluss erfolgt durch Verlegen eines Ø8mm-Druckluftschlauchs durch die Kabelentlastung an der Oberseite und Anschluss des Schlauchs an das Ölschmiersystem (Zubehör).



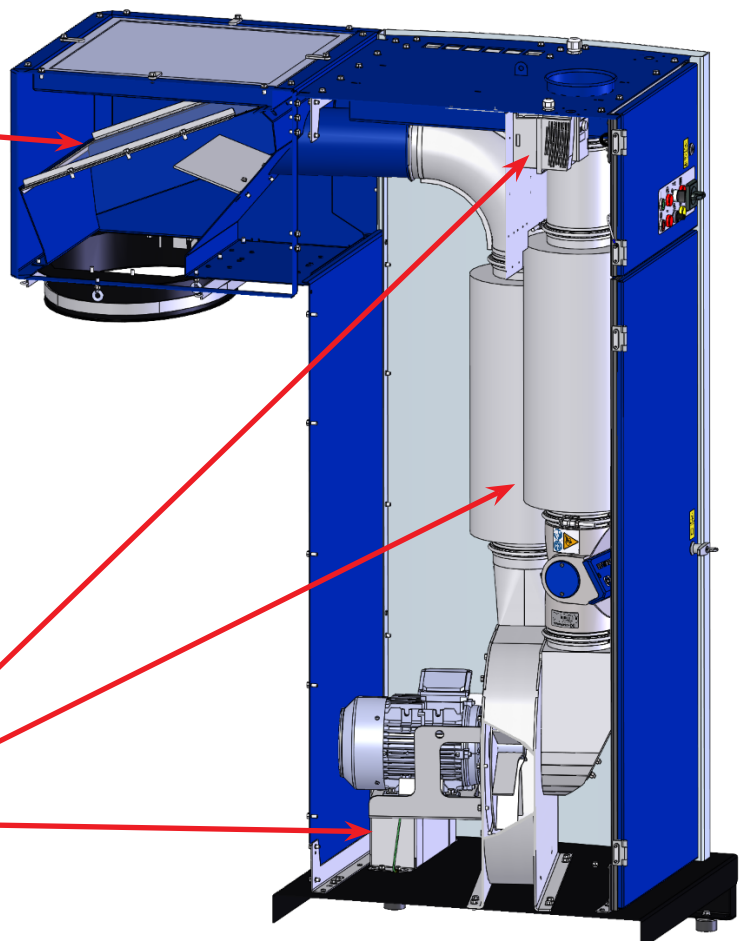
Separator netz

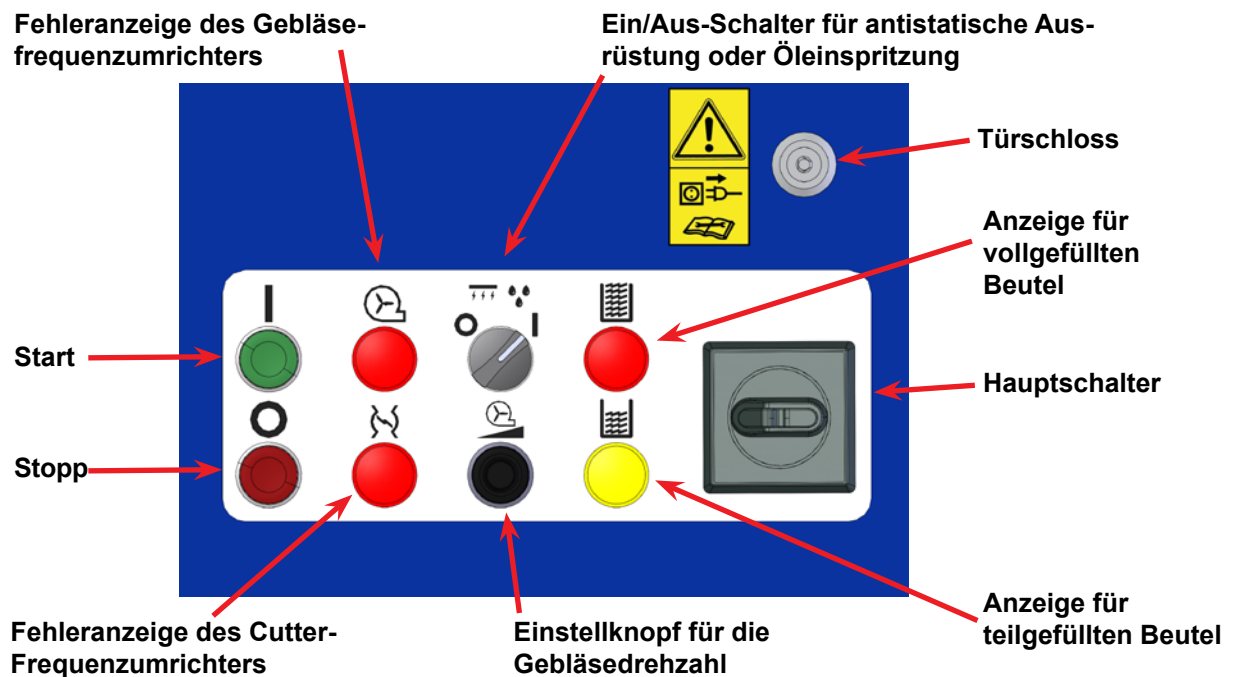
Sensor für Vollbeutelerkennung (Zubehör)

Füllstandssensor
Kontrollleuchte
(Zubehör)



Schall-
dämpfer





Betrieb:

Start

Hauptschalter - auf On / I stellen

Grüner Startschalter - wird gedrückt, um die CUB zu starten. Gebläse und Cutter sind in Betrieb. Die Anzeige leuchtet während des Betriebs grün.

Einstellknopf für die Gebläsedrehzahl

Nach dem Starten die CUB wird die Gebläsedrehzahl so lange hochgeregelt, bis die Materialansaugung ausreichend ist. Dann wird die Gebläsedrehzahl verringert, bis die Absaugung unter ein akzeptables Niveau sinkt, um dann wieder leicht erhöht zu werden, bis die Materialabsaugung wieder optimal ist.

Stopp

Roter Stoppschalter - wird gedrückt, um die CUB anzuhalten. Gebläse und Cutter werden gestoppt.

Fehleranzeige des Gebläsefrequenzumrichters

Leuchtet beim Einschalten des Hauptschalters rot auf, wenn die Steuerung einen Fehler am Frequenzumrichter des Gebläses feststellt, oder wenn der Schutzschalter des Umrichters ausgeschaltet ist. Siehe Abschnitt "Fehlersuche", falls erforderlich. Die CUB kann nicht gestartet werden, und die rote Lampe wird ebenfalls aufleuchten.

Fehleranzeige des Cutter-Frequenzumrichters

Leuchtet beim Einschalten des Hauptschalters rot auf, wenn die Steuerung einen Fehler am Frequenzumrichter des Cutters feststellt, oder wenn der Schutzschalter des Umrichters ausgeschaltet ist. Siehe Abschnitt

"Fehlersuche", falls erforderlich. Die CUB kann nicht gestartet werden, und die rote Lampe wird ebenfalls aufleuchten.

Ein/Aus-Schalter für antistatische Ausrüstung oder Öleinspritzung (Zubehör)

Stellen Sie den Schalter auf Ein, um die antistatische Ausrüstung im Separator einzuschalten, oder das Ölschmiersystem einzuschalten.

Anzeige für teilgefüllten Beutel (Zubehör)

Schaltet sich ein und leuchtet gelb, wenn der Materialbeutel zu ca. 80% gefüllt ist. Wenn die CUB am Hauptschalter ausgeschaltet und wieder eingeschaltet wird, leuchtet die Anzeigelampe sofort auf, bis der Beutel ausgetauscht wird. Der Materialbeutel sollte so schnell wie möglich, spätestens aber vor dem Aufleuchten der roten Kontrollleuchte gewechselt werden. Die Lampe wird durch eine gelbe Lampe in der Ampel auf der Oberseite die CUB ergänzt.

Anzeige für vollgefüllten Beutel (Zubehör)

Schaltet sich ein und leuchtet rot, wenn der Materialbeutel vollständig gefüllt ist. Die CUB hält an, um Materialverschwendung zu vermeiden. Wenn die CUB am Hauptschalter ausgeschaltet und wieder eingeschaltet wird, leuchtet die Anzeigelampe sofort auf und die CUB kann erst wieder gestartet werden, wenn der Beutel ausgetauscht wurde. In der Steuerung befindet sich ein verstellbar Timer, der festlegt, wie lange es dauert, bis der Füllstandssensor einen vollen Beutel erkennt und die Kontrollleuchte rot aufleuchtet und die CUB anhält. Die Lampe wird durch eine rote Lampe in der Ampel auf der Oberseite die CUB ergänzt.

Anbringen/Austauschen des Beutels

Am einfachsten ist es, den Beutel mit beiden Händen um den Separatorauslass zu führen. Danach wird die Gummiriemen an einer Öse ausgehakt, um den Auslass herumgeführt und an der anderen Öse eingehakt. Wiederholen Sie den Vorgang mit dem anderen Gummiriemen.

Tragen Sie eine Schutzbrille, wenn Sie bei laufendem Gebläse Beutel wechseln, siehe Abschnitt "Warnhinweise".

Wenn der Beutel voll ist, gehen Sie wie folgt vor:

- Stoppen Sie die CUB mit dem Start/Stop-Schalter.
- Lösen Sie die Gummiriemen und haken Sie sie in die Ösen ein.
- Binden Sie den Beutel z.B. mit einem Kabelbinder zu.
- Befestigen Sie einen neuen Beutel.
- Starten Sie die CUB mit dem Start/Stop-Schalter.

Es ist vorteilhaft, einen Endlosbeutel zu verwenden, damit der gefüllte Beutel schneller entfernt werden kann und die Materialabsaugung nicht länger als nötig unterbrochen wird. Siehe Abschnitt "Zubehör".

Sowohl der Beutel, als auch der Filter sollten regelmäßig überprüft werden, je nachdem, welches Material verwendet wird und ob eine antistatische Ausrüstung oder ein Ölschmiersystem vorhanden ist.

Die Beutel können bei Kongskilde unter den folgenden Artikelnummern erworben werden:

Artikel Nr.	Typ
100 203 149	Materialbeutel 900 Liter (10 Stk.)
100 203 167	Endlos-Materialbeutel (1 Stk.)

Reinigung und Austausch der Filter - siehe Abschnitt "Service und Wartung".

Während des normalen Betriebs sollte der Türgriff verriegelt und der Schlüssel abgezogen sein, um einen unbefugten Zugang zu den internen Komponenten zu verhindern.

Zubehör:

Halterung für Endlosbeutel

Die Endlosbeutelhalterung besteht aus einem Ring, der unter dem der unter dem Materialauslass angebracht ist, einem Korb, der den Beutel hält, und einem Griff, der den Korb zwischen offener und geschlossenen Position hebt.

Die Endlosbeutelhalterung ist unter dem Separator und in der Rückwand des Gehäuses montiert. Der

Endlosbeutel wird in den Korb gelegt und wenn der Beutel voll ist, gehen Sie wie folgt vor:

- Stoppen Sie den CUB mit dem Start/Stop-Schalter
- Ziehen Sie den Beutel leicht nach unten und binden Sie ihn z.B. mit zwei Kabelbindern, die im Abstand von ca. 5 cm angebracht werden
- Den Beutel zwischen den beiden Kabelbindern aufschneiden und ziehen Sie den leeren Beutel auf den Boden
- CUB am Start-/Stop-Schalter starten

NB - Entfernen Sie die Kabelbinder nicht vom Endlosbeutel, bevor dieser in der Endlosbeutelhalterung eingesetzt wird, da ansonsten die Gefahr besteht, dass der Beutel verrutscht und sich nur schwer in den Korb einsetzen lässt.

HEPA-Filter

Der Filter wird oben auf den Separator montiert und ergänzt den standardmäßig eingebauten Vorfilter (F7). Der HEPA-Filter sorgt dafür, dass die Abluft die CUB von Materialrückständen und Staub gereinigt wird, und ermöglicht es, je nach den örtlichen Anforderungen an die Luftqualität, direkt in den Produktionsraum auszublasen. Der Filter wird von den 4 mitgelieferten Stahlschienen gehalten (die 4 Halterungen des Vorfilters werden vor der Installation entfernt).

Füllstandssensor für die Vollbeutelerkennung

Der Sensor erkennt, wenn der Beutel beinahe, oder bereits komplett gefüllt ist. Das Signal aktiviert eine Kontrollleuchte oben am CUB gemäß den folgenden Farbanzeigen:

- Rot = Der Beutel ist vollständig gefüllt, und die CUB hat angehalten
- Gelb = Der Beutel ist zu ca. 80 % oder mehr gefüllt
- Grün = Die CUB läuft normal

Der Sensor wird an der mitgelieferten Halterung unterhalb des Separators montiert und gemäß der beiliegenden Anleitung an die CUB-Steuereinheit angeschlossen. Die Position des Sensors kann an der Halterung justiert werden.

Hinweis – Im Falle einer Störung des Ventilators oder des Frequenzumrichters des Cutters leuchtet zudem die rote Ampel auf, und die CUB stoppt.

Öl-Schmiersystem

Das System besteht aus einem Ölbehälter, einer Einspritzdüse, einem Druckregler und einer Zeitschaltuhr. Das Ölsystem gibt über eine einstellbare Düse vor den Cutter eine bestimmte Menge Öl in die Rohrleitungen. Das Öl wird im Cutter weiter zerstäubt, wodurch das Gebläse und der Separator geschmiert werden. Dadurch wird verhindert, dass klebrige/adhäsive Materialien die CUB verstopfen. Das System wird mit Druckluft und einer 24-VDC-Zeitschaltuhr betrieben und enthält einen integrierten 10-Liter-Behälter.

Es ist möglich, die Ölmenge an der Düse und am Timer in der Steuerung je nach Bedarf einzustellen (abhängig davon wie klebrig das Material ist, wie viel Material transportiert wird und der Viskosität des Öls).

Empfohlene Einstellungen:

- Die Einspritzdüse wird auf 1 Umdrehung von 0 (kann zwischen 0 - 10 Umdrehungen eingestellt werden)
- Der Timer ist so eingestellt, dass 50% der Zeit Öl eingespritzt wird (einstellbar zwischen 0 - 100%)
- Der Druckregler ist auf 2,5 bar eingestellt (einstellbar zwischen 0,5 - 2,5 bar)

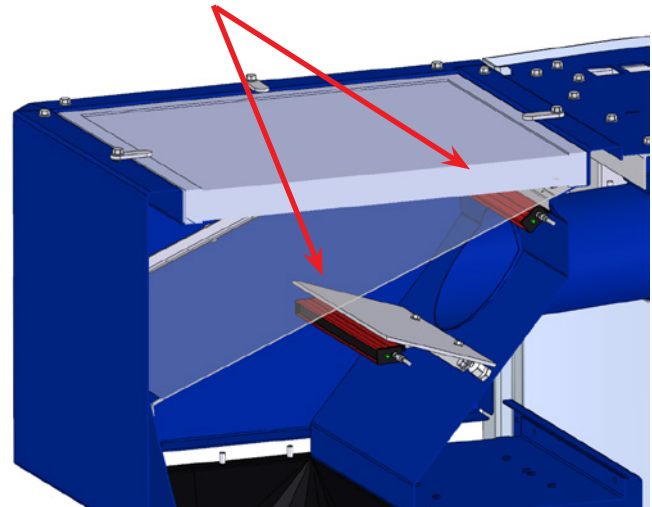
Wenn Sie die eingespritzte Ölmenge überprüfen wollen, ist es am einfachsten, den Saugschlauch vom Ölbehälter zu entfernen und den Schlauch in einen kleinen offenen Ölbehälter zu legen. So können Sie überprüfen, wie viel Öl z.B. in 5 Minuten aufgenommen wird.

Das Öl-Schmiersystem kann über das Bedienfeld ein- und ausgeschaltet werden.

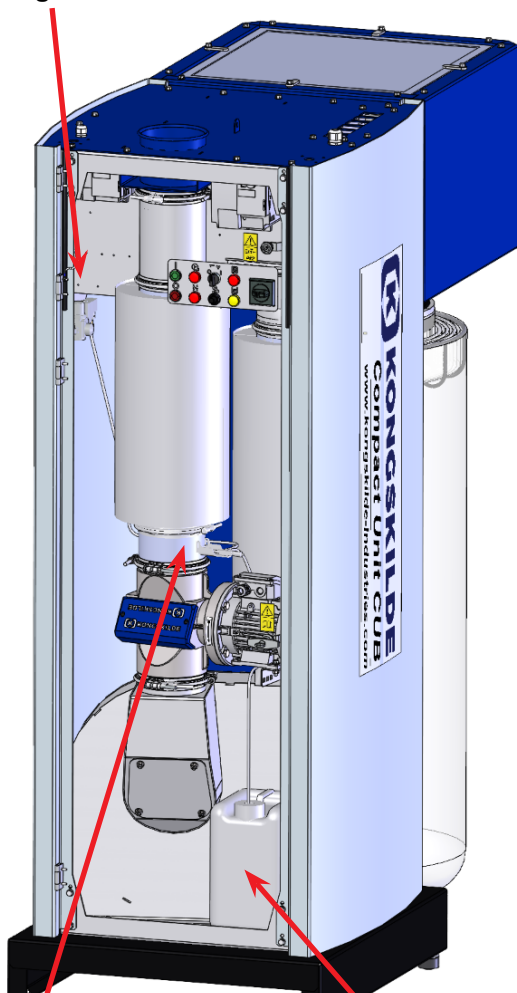
Antistatische Ausrüstung

Die Ausrüstung ist oben auf dem Separator angebracht, so dass kein Material am Netz und an der Oberseite des Beutels haften bleibt. Danach nimmt die antistatische Wirkung im Beutel nach unten hin ab. Das Gerät wird komplett mit Antistatikstäben, Halterung und Kabeln geliefert. Die Ausrüstung kann über das Bedienfeld ein- und ausgeschaltet werden. NB - sollten vor der Zuführung des Materials in die CUB Probleme mit statischer Aufladung auftreten, ist eine oder mehrere entsprechende Anti-Statik Einheit(en) unmittelbar an der Aufnahme des Produkts in den jeweiligen Rohrverlauf vorzusehen.

Antistatische bars



Druckregler



Öl Einspritzdüse

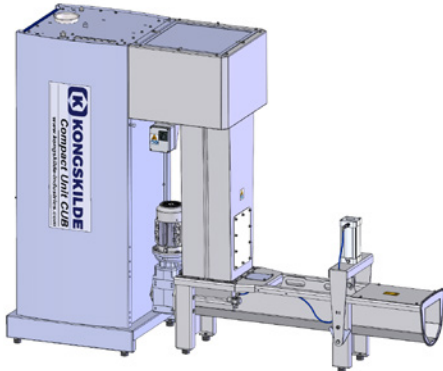
10 Liter Ölbehälter

Schraubkompaktor (Waste Screw Compactor)

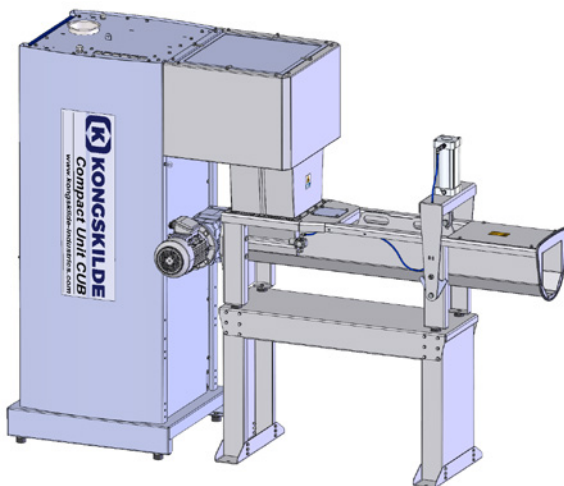
Das Produkt ist ein Kompaktor mit einer Schnecke, die in einem Trog montiert ist. Die Schnecke wird von einem Getriebemotor angetrieben. Am Ende der Schnecke wird das zugeführte Material gegen eine einstellbare Kompressionsklappe komprimiert. Der Kompaktor kann geschnittene Streifen aus Papier, Kunststoff und Metallfolie verarbeiten und wird unter dem Separator des CUB montiert.

Der Kompaktor kann auch statisch aufgeladene Folien und klebrige Materialien verarbeiten, wenn eine Ölschmierung montiert wird (der Kompaktor muss jedoch die für klebrige Materialien vorgesehene Ausführung sein). Der Kompaktor ist in zwei Ausführungen erhältlich, für die Montage am Boden, oder auf einem Gestell.

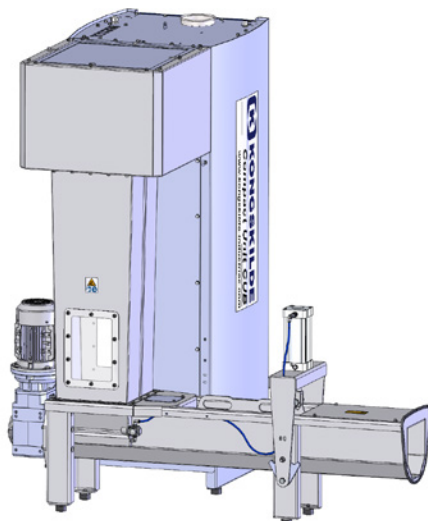
Der Kompaktor steht auf dem Boden, so dass am Materialauslass ein Endlosbeutel angebracht werden kann.



Der Kompaktor ist auf einem Gestell befestigt, so dass ein Container oder ähnliches am Materialauslass angebracht werden kann.



Der Kompaktor kann in Verlängerung die CUB oder rechtwinklig zur CUB auf beiden Seiten montiert werden (siehe Maßskizze im hinteren Teil des Kompaktor-Handbuches).



Service und Wartung

Alle Service-, Wartungs- und Reparaturarbeiten müssen von qualifizierten oder unterwiesenen Personen durchgeführt werden.

Trennen Sie die CUB vor Reparatur- und Wartungsarbeiten immer von der Strom- und Druckluftversorgung (falls installiert) und verriegeln Sie den Hauptschalter, damit die CUB nicht versehentlich gestartet werden kann.

Überprüfen Sie jährlich die Kabelverbindungen auf festen Sitz und Isolierung, einschließlich der Erdverbindung.

Die Motorlager sind werkseitig geschmiert und müssen nicht zusätzlich geschmiert werden. Achten Sie stets auf ungehinderten Kühlluftzufluss zu den Motoren.

Der Rotor des Gebläses ist direkt auf der Motorwelle montiert, daher gibt es im Gebläse selbst keine Lager. Der Rotor und das Gebläsegehäuse müssen regelmäßig auf Brüche, Risse und Verschleiß überprüft werden, was am einfachsten durch die Inspektionsluke und das Materialauslassrohr erfolgt.

Der Betrieb mit eines Gebläses ist gefährlich, wenn der Rotor und/oder das Gebläsegehäuse abgenutzt oder beschädigt sind. Außerdem verringert der Betrieb mit einem verschlissenen Rotor die Lebensdauer der Motorlager. Außerdem muss geprüft werden, ob sich eine Materialschicht gebildet hat, die eine Unwucht im Rotor verursachen und die Effizienz des Gebläses verringern könnte. Bei der Reinigung des Materials muss dies gründlich und gleichmäßig geschehen, damit keine weitere Unwucht im Rotor entsteht.

Filter

Wenn die Vor- und HEPA-Filter verstopft sind, wird der Beutel zunehmend überdehnt und die Materialabsaugung verringert sich (siehe Abschnitt "Betrieb"). Die Filter sollten ausgetauscht oder eventuell mit Druckluft gereinigt werden. Lösen Sie den Vorfilter durch Drehen der 4 Klammern oben am Separator. Wenn die CUB mit einem HEPA-Filter ausgestattet ist, sollte dieser zuerst durch Drehen der 4 Griffe entfernt werden.

Die Filter können bei Kongskilde unter den folgenden Artikelnummern erworben werden:

Artikel Nr	Typ
100 203 147	Oberer HEPA-Filter (1 Stk.)
100 203 148	Unterer Vorfilter (1 Stk.)

Der HEPA-Filter kann beim Austausch durch einen anderen Filtertyp mit ähnlichen Abmessungen ersetzt werden.

Cutter

Es sollte regelmäßig überprüft werden, ob der Cutter zufriedenstellend schneidet. Beim Justieren/Schleifen der Messer kommt es sehr auf das Material an.

Fehlersuche:

Fehler	Ursache	Abhilfe
Unzureichende Materialansaugung	<p>Der Beutel ist mit Material gefüllt. Wenn die CUB mit einem Füllstandsensoren (Zubehör) ausgestattet ist, leuchtet die rote Anzeige auf - siehe Abschnitt "Betrieb".</p> <p>Vorfilter (und eventuell HEPA-Filter) verstopft.</p> <p>Die Gebläsedrehzahl ist zu niedrig eingestellt.</p> <p>Material wird in zu großer Menge zugeführt.</p> <p>Ölschmiersystem (Zubehör) funktioniert nicht richtig (bei klebrigen Materialien).</p> <p>Antistatikausrüstung (Zubehör) funktioniert nicht richtig (bei statisch aufgeladenen Materialien)</p>	<p>Tauschen Sie den Beutel aus. Falls erforderlich, muss die CUB vor der erneuten Inbetriebnahme ebenfalls entleert werden.</p> <p>Filter reinigen oder austauschen, siehe Abschnitt "Service und Wartung".</p> <p>Gebläsedrehzahl erhöhen.</p> <p>Verringern Sie die Materialmenge.</p> <p>Ölschmiersystem prüfen. Falls erforderlich, muss die CUB vor dem erneuten Start auch von Material entleert werden.</p> <p>Überprüfen Sie die antistatische Ausrüstung. Falls erforderlich, muss die CUB vor der Wiederinbetriebnahme ebenfalls entleert werden</p>
Material nicht ausreichend geschnitten	Cuttermesser abgenutzt	Cuttermesser nachschleifen oder ersetzen
Die CUB funktioniert nicht	<p>Fehlende Versorgungsspannung (z.B. Sicherungen defekt).</p> <p>Gebläse- oder Cuttermotor defekt.</p> <p>Frequenzumrichter oder andere elektrische Komponenten defekt. Prüfen Sie die Fehleranzeige am Frequenzumrichter - siehe Abschnitt "Betrieb".</p> <p>Zu starker Spannungsabfall in der Stromversorgung.</p> <p>Cutter durch Material blockiert (dreht sich nicht) – die Kontrollleuchte für eine Störung des Frequenzumrichters leuchtet auf</p>	<p>Schließen Sie die Versorgungsspannung an.</p> <p>Motor austauschen.</p> <p>Komponenten austauschen.</p> <p>Kabel durch solche mit größerem Querschnitt ersetzen oder andere Ursache für den Spannungsabfall finden.</p> <p>Hauptschalter ausschalten und verriegeln, Verstopfung im Cutter, Gebläse usw. beseitigen und ggf. auf ein anderes Material wechseln</p>
Materialbeutel abnormal erweitert	Zu hoher Druck im Beutel aufgrund eines verstopften Vorfilters oder Siebs	Der Vorfilter (und eventuell der HEPA-Filter) wird überprüft und gegebenenfalls gereinigt oder ersetzt. Wenn dies nicht hilft, überprüfen/reinigen Sie das Sieb im Abscheider. Wenn die CUB mit Antistatikstäben ausgestattet ist, können diese an der LED am Ende des Stabes überprüft werden. Wenn diese nicht leuchtet, ist der Stab defekt. Wenn die LED blinkt, muss der Stab gereinigt werden

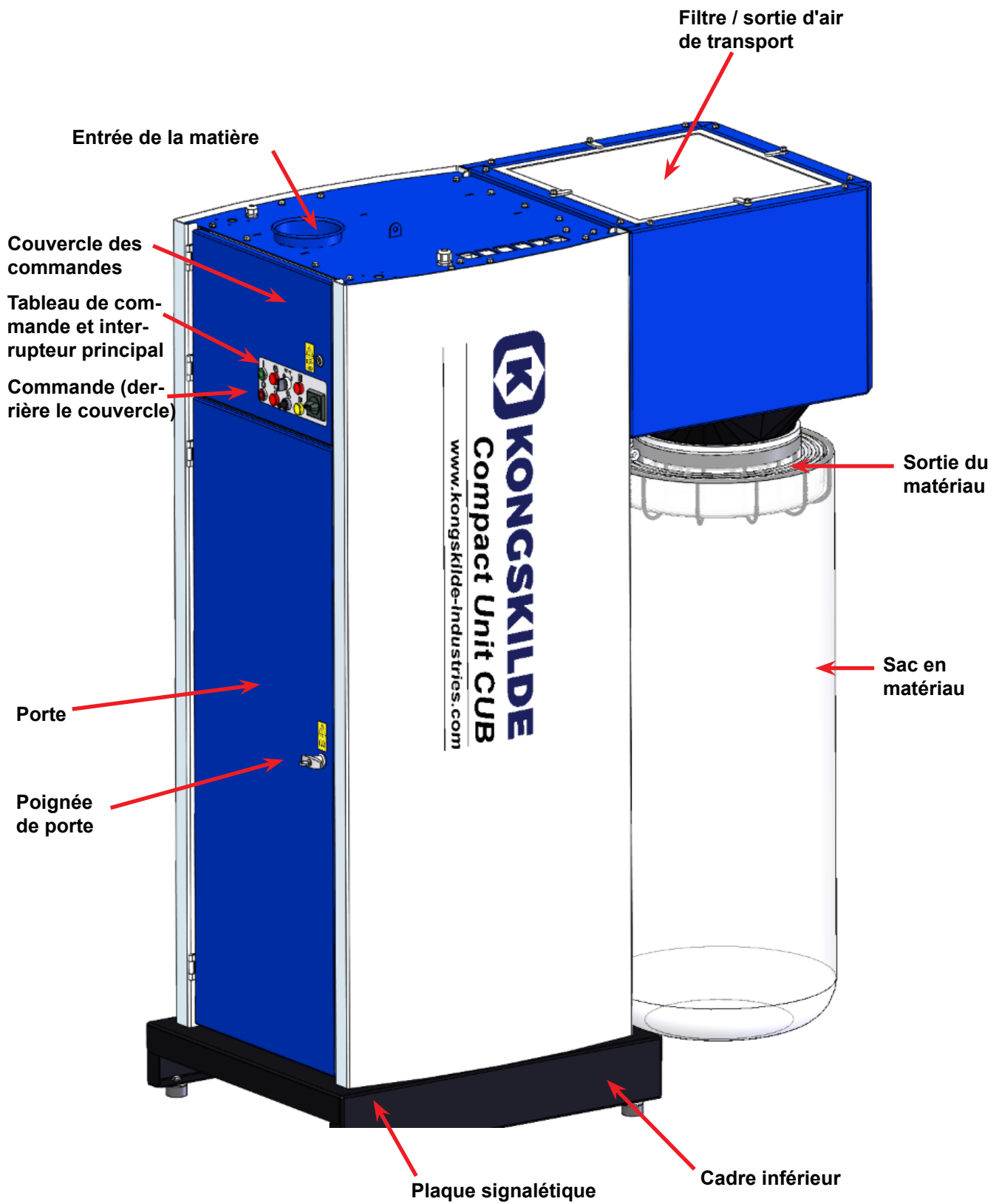
Wenden Sie sich im Zweifelsfall an einen qualifizierten Servicetechniker oder an die Serviceabteilung von Kongskilde.

Technische Daten:

Max. statischer Druckaufbau	4.750 Pa
Materialdicke	40 – 300 µm
Gebläseleistung CUB 1620	2,2 kW
Gebläseleistung CUB 1640	4 kW
Cuttermotor	0,75 kW / 1.500 U/min
Stromversorgung CE	3 x 400V - 50Hz - 16A
Stromversorgung UL/CSA	3 x 460V - 60Hz - 16A
Druckluftversorgung (bei 175 l/min)	Min. 2,5 bar – max. 8 bar
Gewicht	400 kg
Höhe x Breite x Länge	2.150 x 800 x 1.570 mm
Rohranschluss am Einlass	OK 160
Vorfilter	Flächenfilter F7
Hauptfilter	HEPA Kassettenfilter H14*
Schalldruckpegel Lp (1 Meter)	Max. 80 dBA**

*: Oder vergleichbar

** : Der Schalldruckpegel gilt ohne Material. Es ist mit höheren Werten zu rechnen, wenn die CUB mit Material arbeitet.



FR

Le présent manuel s'applique au système d'aspiration de chutes Kongskilde Compact Unit CUB. Les exploitants, les installateurs (électriques) ainsi que le personnel de maintenance et de service représentent le groupe cible pour le présent manuel.

Description :

Il s'agit d'une unité tout-en-un, comprenant un masticot, un ventilateur et un séparateur, conçue pour aspirer les bandes coupées de papier et de feuilles de plastique ou de métal, et les couper. Le CUB peut également traiter des films adhésifs ou chargés d'électricité statique si une lubrification à l'huile ou un équipement antistatique est installé. Cependant, les deux ne peuvent pas être combinés car l'huile limite l'effet de l'équipement antistatique. L'épaisseur recommandée du matériau est de 40 à 300µm. Le matériau coupé est soufflé à travers le séparateur et tombe ensuite dans le sac. Les sacs peuvent être constitués d'une seule pièce ou d'un sac sans fin monté dans un support (accessoire). En outre, il est possible d'acheter un compacteur à vis (Waste Screw Compactor) à monter sous le séparateur, qui comprime les matériaux et les achemine vers un sac sans fin, un conteneur ou un dispositif similaire.

L'air de transport est purifié dans un filtre intégré et expulsé du CUB. Un filtre HEPA peut être installé ultérieurement (accessoire), ce qui permet d'évacuer l'air directement dans la salle de production, en fonction des exigences locales en matière de qualité de l'air.

Le CUB est conçu pour être facilement déplacé à l'aide d'un transpalette ou d'un chariot élévateur, et peut être facilement raccordé à la tuyauterie à l'aide d'un collier de serrage rapide situé sur le dessus du CUB. Le CUB fonctionne à l'avant, où il peut être démarré et arrêté, et où la vitesse du ventilateur peut être réglée. À l'arrière, le sac de matériau est remplacé.

Le CUB n'est pas conçu pour les matériaux humides ou durs.

Le CUB est disponible avec un coupeur intégré et un cutter externe.

Avertissements :

Évitez les accidents en suivant systématiquement les instructions de sécurité qui sont indiquées dans le manuel et sur le système CUB. Le CUB doit être monté dans un système de tuyauterie fermé, sans que les personnes puissent accéder aux pièces mobiles. Il existe un risque d'endommagement du système si des

corps étrangers d'une certaine taille sont aspirés ou tombent dans le système de tuyauterie. Le manque de surveillance du système peut entraîner l'usure et la détérioration des pièces essentielles, voir la section « Service et entretien ».

L'installation et la fixation doivent être effectuées conformément à la réglementation (voir section « Installation »), sinon la stabilité se dégrade et le risque d'usure et de détérioration augmente.

Assurez-vous que tous les caches et toutes les portes sont mis en place et fixés comme il se doit pendant l'exploitation.

Débranchez toujours l'alimentation électrique et l'air sous pression avant de procéder aux réparations et à la maintenance. L'interrupteur principal doit être éteint et verrouillé (par exemple avec un cadenas), afin de s'assurer que le CUB ne puisse pas être démarré par inadvertance.

Soyez prudent lors de l'entretien du coupeur ou de la ventilateur - les lames du coupeur sont très tranchantes et ne doivent être manipulées qu'avec précaution. De même, ne démarrez jamais le ventilateur lorsque le couvercle du ventilateur a été enlevé.

Assurez-vous qu'il existe des voies d'accès sûres pouvant être utilisées pour la réparation et l'entretien du CUB. La zone de travail située autour du système doit être dégagée afin d'éviter tout risque d'accident lié à des chutes.

Veillez à ne pas vous déchirer ou vous pincer les doigts lorsque vous changez les sacs.

Utilisez une protection oculaire lorsque vous travaillez à proximité de la sortie d'air du ventilateur. Si de petites particules sont présentes dans la matière convoyée, elles risqueraient d'être projetées depuis la sortie d'air du ventilateur, causant des lésions oculaires.

Si le CUB est équipé d'un système de lubrification à l'huile pour l'utilisation de films adhésifs, des précautions doivent être prises lors de la manipulation du système d'huile. Si de l'huile entre en contact avec votre peau, nettoyez-la soigneusement avec de l'eau et du savon. En cas de contact de l'huile avec les yeux, rincer abondamment à l'eau et, en cas d'irritation, consulter un médecin.

En outre, des lunettes de protection doivent être portées lors de la manipulation de l'huile et lors du changement de sacs lorsque le système d'huile est activé.

Si des vibrations ou des bruits anormaux sont observés, il convient d'arrêter immédiatement le système et de faire appel à une assistance professionnelle.

Assurez-vous que le système CUB repose sur une surface stable et plane de sorte qu'il soit protégé contre la chute et le basculement.

Veillez à ne pas vous pincer les doigts ou les mains en ouvrant ou en fermant les portes.

La vitesse du ventilateur du CUB peut être réglée graduellement à l'aide du tableau de commande. Afin de ne pas surcharger le ventilateur et le moteur, la vitesse ne peut pas être réglée à un niveau plus élevé que ne le permet la conception du ventilateur. Il n'est pas autorisé de modifier l'équipement électrique afin d'augmenter la vitesse maximale du ventilateur.

Le CUB est conçu de manière à ce qu'il ne soit pas possible d'entrer en contact avec des pièces rotatives pendant le fonctionnement normal. Cependant, il faut savoir que si les couvercles sont enlevés et que le CUB est mis en marche, il y a un risque de blessure.

Si le CUB est équipé d'un coupeur externe, veuillez vous référer à son manuel d'utilisation pour la sécurité et l'installation.

Tous les raccords de tuyaux à une distance d'au moins 850 mm avant et après le coupeur doivent être réalisés avec des raccords à collier de serrage, ce qui nécessite l'utilisation d'outils pour le démontage et l'accès au rotor du coupeur.

L'interrupteur principal du CUB ne déconnecte pas le moteur du coupeur externe et les autres accessoires, et un interrupteur de sécurité séparé est donc nécessaire pour le coupeur.

Signalisation :

Évitez les accidents en suivant systématiquement les instructions de sécurité qui sont indiquées dans le manuel et sur le ventilateur.

Des étiquettes d'avertissement comportant des symboles sans texte sont apposées sur le ventilateur. La signification des symboles est expliquée ci-dessous. Si une étiquette d'avertissement est endommagée et n'est plus lisible, elle doit être remplacée. De nouvelles étiquettes sont disponibles dans la nomenclature.



Lisez attentivement le manuel d'utilisateur et conformez-vous aux avertissements figurant sur celui-ci ainsi que sur le système CUB.



Débranchez systématiquement le système avant de procéder à des travaux de réparation et de maintenance et assurez-vous qu'il ne peut pas être démarré par inadvertance.



Ne mettez jamais vos mains dans la sortie du système CUB pendant son fonctionnement.

Montage :

Le système CUB est livré prêt à l'emploi par l'usine et il suffit de le raccorder à l'alimentation électrique, à l'air sous pression et à la tuyauterie de l'entrée du ventilateur et d'installer les sacs.

Si le système CUB doit être déplacé, un chariot élévateur à fourche, un transpalette ou un dispositif similaire doit être utilisé pour le soulever sous le châssis inférieur du système de manipulation à l'extrémité où les filtres sont montés (à l'opposé de la sortie de matière). Les fourches doivent être d'environ 1.100 mm ou plus. Il est important que le CUB des chutes soit de niveau, sans quoi les portes ne peuvent pas se fermer correctement. Un réglage peut être effectué sur les 4 pieds supports se trouvant sous le cadre inférieur du CUB.

Pour le poids, voir verso du manuel.

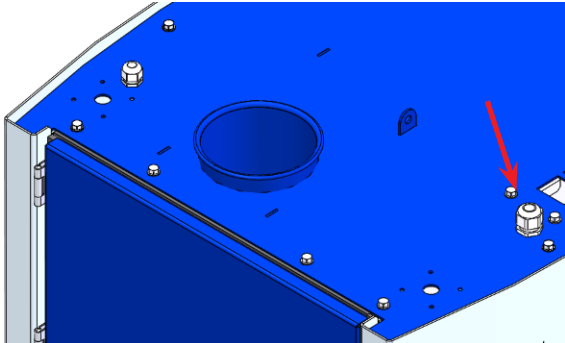
Installation électrique :

Le branchement électrique doit être effectué par un installateur agréé. Toutes les installations électriques doivent être réalisées conformément à la législation locale en vigueur. Vérifiez que l'alimentation électrique du site correspond aux spécifications du CUB.

Lors du branchement du CUB, procédez comme suit :

1. Le câble d'alimentation est relié au CUB.
2. Ouvrir la porte et le couvercle des commandes à l'avant.

3. Faire passer le câble d'alimentation par la partie supérieure du CUB, à travers la décharge de câble.
4. Connecter le câble à l'interrupteur principal.



5. Serrer la décharge de câble sur le dessus du CUB. Si vous le souhaitez, le câble peut être encore soulagé à l'aide d'un collier de serrage dans le rail en T à droite de l'interrupteur principal.
6. Fermer les portes et le couvercle.

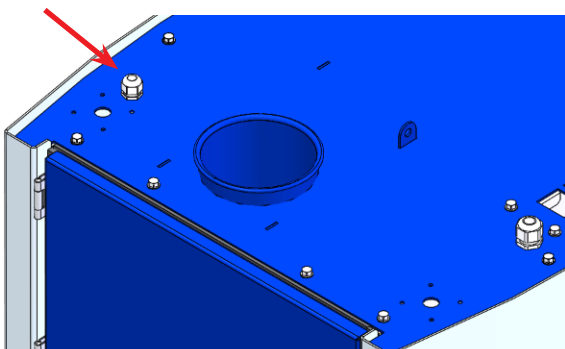
Fusible : 16A - 3x400V 50Hz

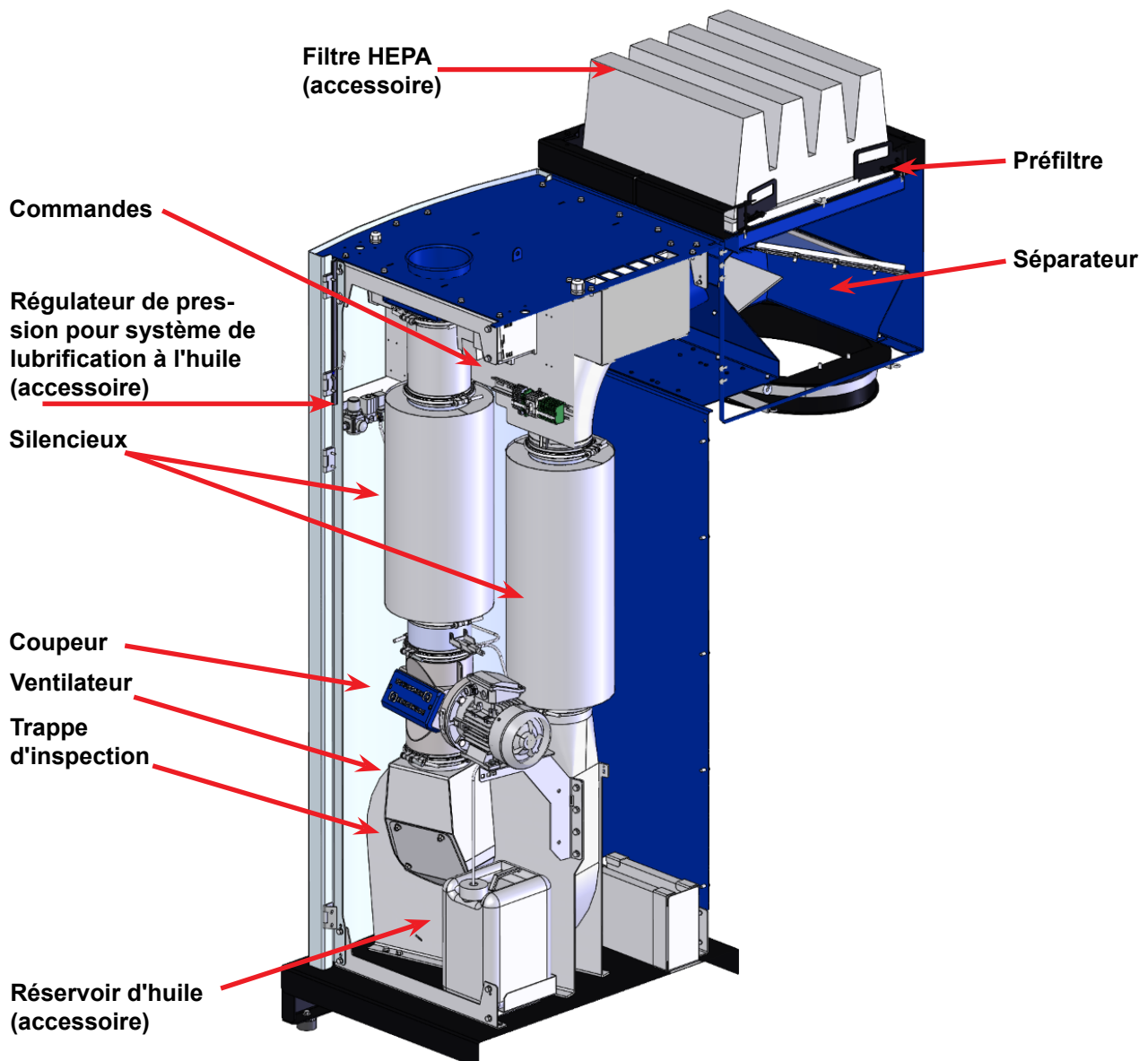
Si un relais à courant résiduel HPFI est nécessaire sur l'alimentation électrique de l'unité centrale, ce doit être un relais de type B de 300 mA, car la commande contient des variateurs de courant alternatif intégrés.

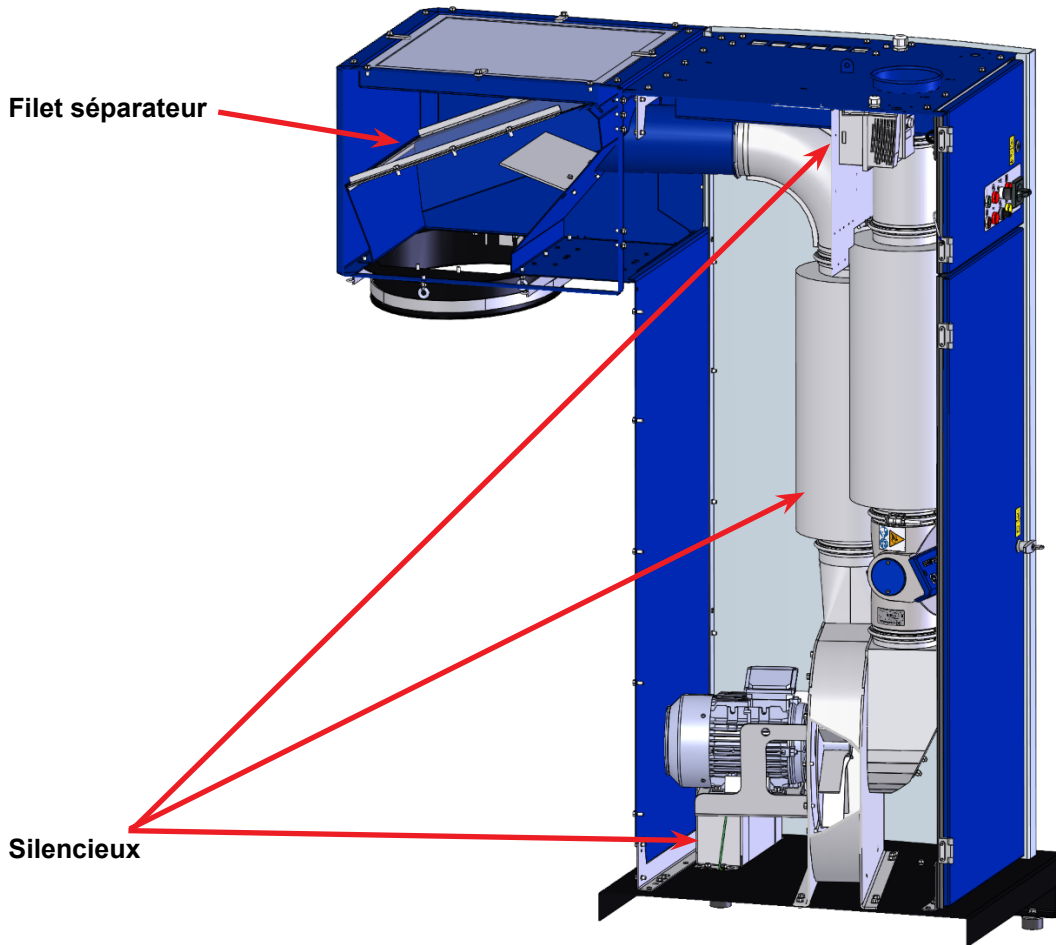
Disjoncteur pour le panneau de commande et d'opérateur

Le panneau de commande et d'opérateur sont alimentés en 24VDC. Cette alimentation est protégée par un disjoncteur sous tension, mais qui peut se déclencher en cas de surcharge.

Le raccordement à l'air comprimé s'effectue en faisant passer un tuyau d'air comprimé de 8 mm de diamètre par la décharge de câble située en haut et en connectant le tuyau au **système de lubrification à l'huile** (accessoire).

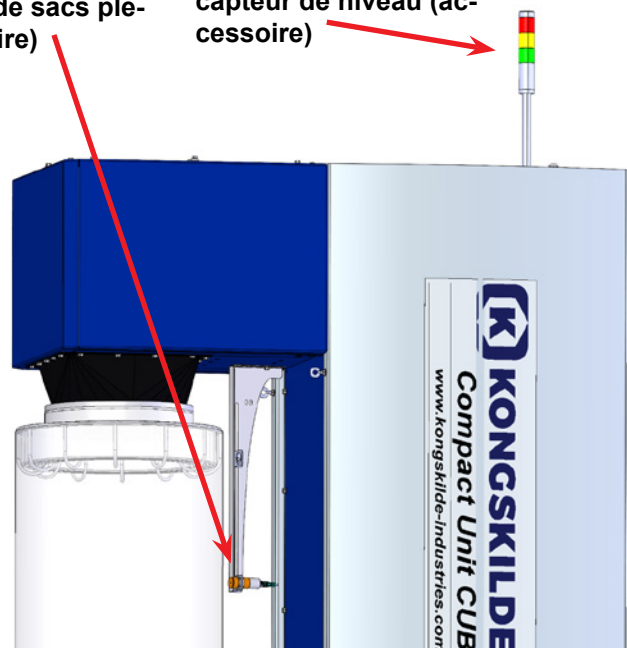


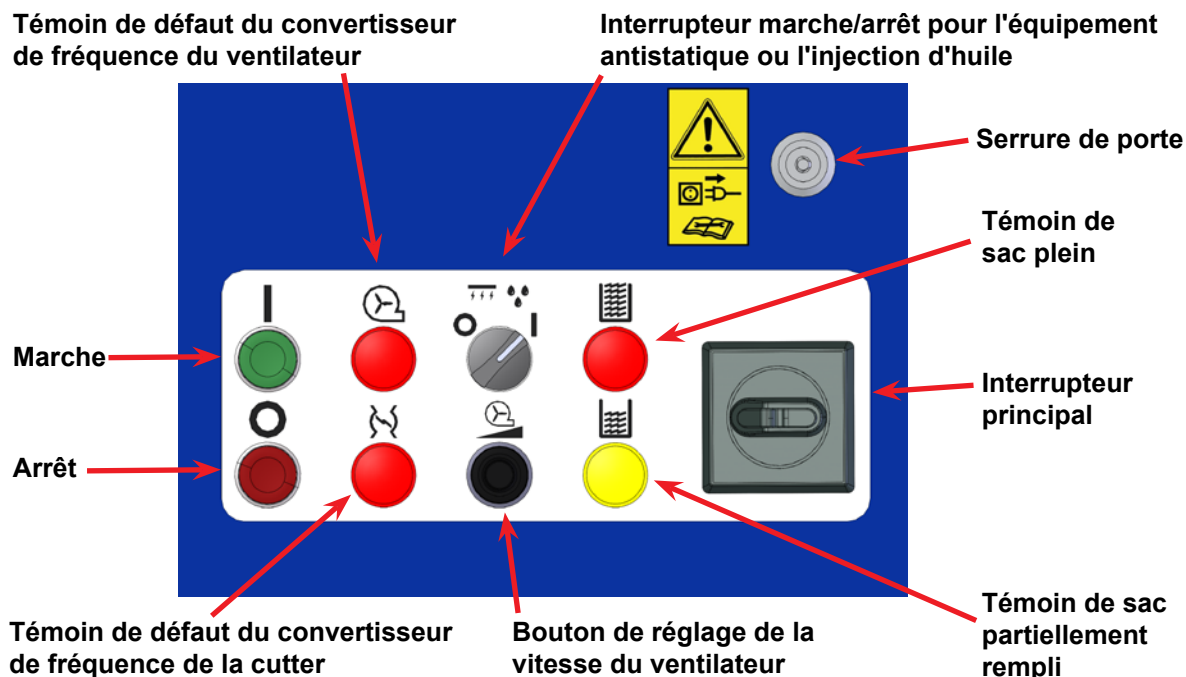




Capteur de niveau pour la détection de sacs pleins (accessoire)

Colonne lumineuse du capteur de niveau (accessoire)





Fonctionnement :

Marche

Interrupteur principal - réglé sur On / I

Interrupteur marche/arrêt - réglé sur I pour démarrer le CUB.

Bouton de réglage de la vitesse du ventilateur

Après le démarrage du CUB, la vitesse de la ventilateur est réglée jusqu'à ce que l'aspiration du matériau soit suffisante. Ensuite, on diminue la vitesse du ventilateur jusqu'à ce que l'aspiration soit inférieure à un niveau acceptable, puis on augmente légèrement la vitesse du ventilateur jusqu'à ce que l'aspiration du matériau soit à nouveau optimale.

Arrêt

L'interrupteur d'arrêt rouge - est actionné pour arrêter le CUB. Le ventilateur et le coupeur s'arrêtent.

Ventilateur témoin de défaut du convertisseur de fréquence

S'allume en rouge lorsque l'interrupteur principal est enclenché, si la commande détecte une erreur sur le convertisseur de fréquence du ventilateur, ou si le disjoncteur du convertisseur est éteint. Voir la section "Dépannage" si nécessaire. Le CUB ne démarre pas et la lumière rouge de la colonne lumineuse s'allume également.

Coupeur témoin de défaut du convertisseur de fréquence

S'allume en rouge lorsque l'interrupteur principal est enclenché, si la commande détecte une erreur sur le convertisseur de fréquence du coupeur, ou si le

disjoncteur du convertisseur est éteint. Voir la section "Dépannage" si nécessaire. Le CUB ne démarre pas et la lumière rouge de la colonne lumineuse s'allume également.

Interrupteur marche/arrêt pour l'équipement antistatique ou l'injection d'huile (accessoire)

Placer l'interrupteur sur On pour mettre en marche l'équipement antistatique dans le séparateur, ou la lubrification à l'huile.

Témoin de sac partiellement rempli (accessoire)

S'allume et s'illumine en jaune lorsque le sac de matériau est rempli à environ 80 %. Si le CUB est éteint à l'aide de l'interrupteur principal et rallumé, le témoin s'allume immédiatement jusqu'à ce que le sac soit remplacé. Le sac de matériaux doit être remplacé dès que possible et au plus tard avant que le voyant rouge ne s'allume.

La lampe est complétée par une lampe jaune dans le feu de signalisation situé sur le dessus du CUB.

Témoin de sac plein (accessoire)

S'allume et s'illumine en rouge lorsque le sac de matériau est complètement rempli. Le CUB s'arrête pour éviter de gaspiller du matériel. Si le CUB est éteint par l'interrupteur principal et rallumé, le témoin s'allume immédiatement et le CUB ne peut pas être démarré tant que le sac n'a pas été remplacé. La commande comporte une minuterie réglable qui détermine le temps écoulé entre le moment où le capteur de niveau détecte un sac plein et le moment où le voyant s'allume en rouge et où le CUB s'arrête. La lampe est complétée par une lampe rouge dans le feu de signalisation sur le dessus du CUB.

Mise en place / remplacement du sac

La manière la plus simple d'installer le sac est de le guider à deux mains autour de la sortie du séparateur, puis de décrocher la sangle en caoutchouc d'un œil, de la faire passer autour de la sortie et de l'accrocher à l'autre œil. Répétez l'opération avec l'autre sangle. Portez des lunettes de protection lorsque vous changez de sac avec un ventilateur en marche, voir la section "Avertissements".

Lorsque le sac est plein, procédez comme suit :

- Arrêtez le CUB à l'aide de l'interrupteur marche/arrêt.
- Desserrer les sangles en caoutchouc et l'accrocher dans les œillets.
- Attacher le sac à l'aide d'un collier de serrage, par exemple.
- Mettre en place un nouveau sac.
- Démarrer le CUB à l'aide de l'interrupteur marche/arrêt.

Il est avantageux d'utiliser un sac sans fin, ce qui permet de retirer plus rapidement le sac rempli et de ne pas interrompre l'aspiration du matériau plus longtemps que nécessaire. Voir la section "Accessoires".

Le sac et le filtre doivent être inspectés régulièrement, en fonction du matériau et de la présence d'un équipement antistatique ou d'un système de lubrification à l'huile.

Les sacs peuvent être achetés auprès de Kongskilde sous les références suivantes :

Référence	Type
100 203 149	Sac de matériaux 900 litres (10 pièces)
100 203 167	Sac de matériau sans fin (1 pièce)

Nettoyage et remplacement des filtres - voir la section "Service et entretien".

La poignée de la porte doit être verrouillée et la clé retirée pendant le fonctionnement normal, afin d'empêcher tout accès non autorisé aux composants internes.

Accessoires :

Support pour sac sans fin

Le dispositif de maintien du sac se compose d'un anneau monté sous la sortie matière, d'un panier qui retient le sac et d'une poignée qui soulève le panier entre la position ouverte et la position fermée.

Le support des sacs sans fin est monté sous le séparateur et sur la plaque arrière de l'armoire. Le sac sans fin est placé dans le panier et lorsque le sac est plein, procédez comme suit :

- Arrêter le CUB à l'aide de l'interrupteur marche/arrêt
- Tirer légèrement le sac vers le bas et l'attacher à l'aide, par exemple, de deux serre-câbles montés à une distance d'environ 5 cm
- Couper le sac entre les deux serre-câbles et tirer le sac vide vers le sol
- Démarrer le CUB à l'aide de l'interrupteur marche/arrêt

NB - Ne pas retirer les serre-câbles du sac sans fin, avant de le placer dans le porte-sac, sinon il y a un risque que le sac fuie et devienne difficile à placer dans le porte-sac.

Filtre HEPA

Le filtre est monté sur le dessus du séparateur et complète le pré-filtre standard (F7). Le filtre HEPA garantit que l'air évacué du CUB est débarrassé des résidus de matériaux et de la poussière, et permet d'évacuer l'air directement dans la salle de production, en fonction des exigences locales en matière de qualité de l'air. Le filtre est maintenu en place par les 4 rails en acier fournis (les 4 supports qui maintiennent le pré-filtre sont retirés avant l'installation).

Capteur de niveau pour la détection de sacs pleins

Le capteur détecte lorsque le sac est sur le point d'être plein ou lorsqu'il est plein. Le signal active la colonne lumineuse située sur le dessus du CUB selon les indications de couleur suivantes :

- Rouge = Le sac est complètement plein et le CUB s'est arrêté
- Jaune = Le sac est rempli à environ 80 % ou plus
- Vert = Le CUB fonctionne normalement

Le capteur est monté sur le support fourni sous le séparateur et raccordé à l'unité de commande du CUB conformément aux instructions jointes. La position du capteur peut être réglée sur le support.

NB – en cas de défaillance du convertisseur de fréquence du ventilateur ou du coupeur, la lumière rouge de la colonne lumineuse également et le CUB s'arrête.

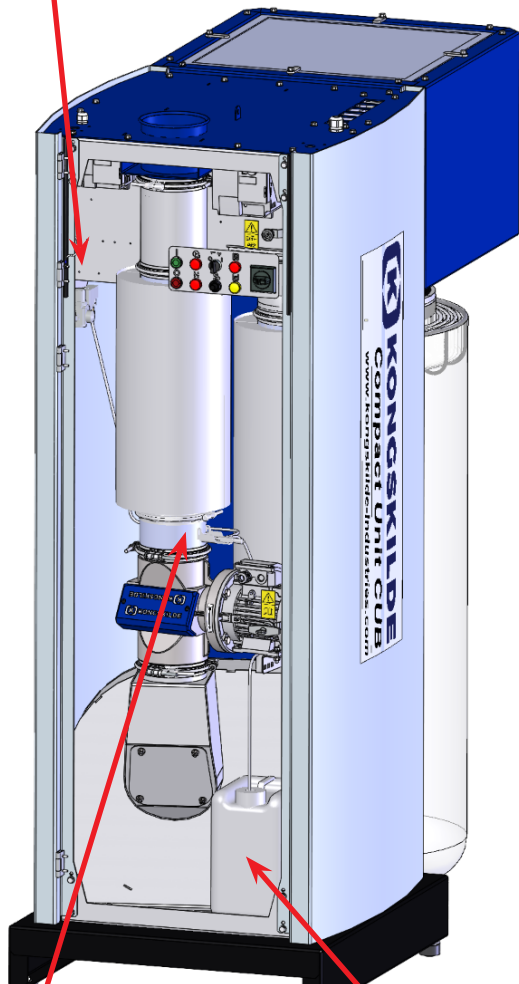
Système de lubrification à l'huile

Le système se compose d'un réservoir d'huile, d'une buse d'injection, d'un régulateur de pression et d'une minuterie.

Le système d'huile ajoute une quantité d'huile dans la tuyauterie par le biais d'une buse réglable avant la fraise. L'huile est ensuite pulvérisée dans le coupeur, ce qui lubrifie le ventilateur et le séparateur. Cela permet d'éviter que des matériaux collants/adhésifs ne bloquent le CUB. Le système est alimenté par de l'air comprimé et une minuterie de 24VDC, et contient un réservoir intégré de 10 litres.

Il est possible de régler la quantité d'huile sur la buse et sur la minuterie ajustable dans la commande, en fonction des besoins (degré d'adhérence du matériau, quantité de matériau transporté et viscosité de l'huile).

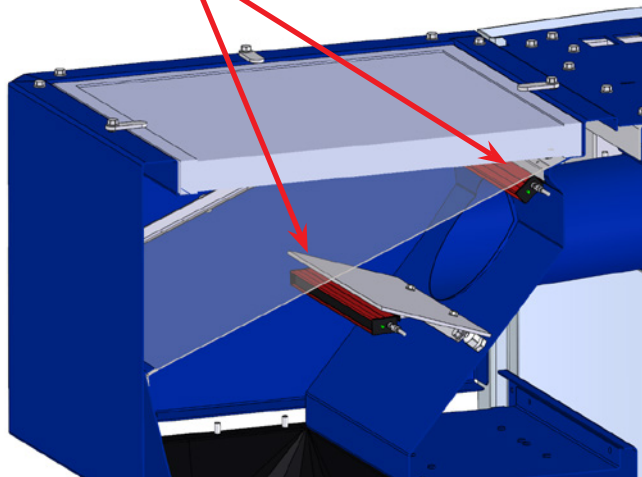
Régulateur de pression



Buse d'injection

10 litres
réservoir
d'huile

Barres antistatiques



Réglages recommandés:

- La buse d'injection est réglée à 1 tour de 0 (peut être réglée entre 0 et 10 tours).
- La minuterie est réglée pour que l'huile soit injectée 50 % du temps (peut être réglée entre 0 et 100 %).
- Le régulateur de pression est réglé sur 2,5 bar (réglable entre 0,5 et 2,5 bar).

Pour vérifier la quantité d'huile injectée, le plus simple est de retirer le tuyau d'aspiration du réservoir d'huile et de le placer dans un petit réservoir d'huile ouvert. Cela permet de vérifier la quantité d'huile absorbée, par exemple en 5 minutes. Le système de lubrification à l'huile peut être activé ou désactivé depuis le panneau de commande.

Équipement antistatique

L'équipement est monté au sommet du séparateur, ce qui permet d'éviter l'accumulation d'électricité statique sur le filet et au sac. Ensuite, l'effet antistatique diminue vers le bas du sac. L'équipement est livré complet avec des tiges, support et fils antistatiques. L'équipement peut être mis en marche et s'éteindre sur le panneau de commande.

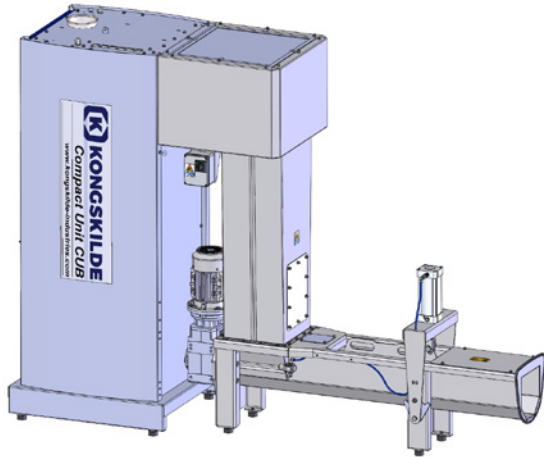
NB - si des problèmes d'électricité statique surviennent avant le séparateur CUB, ils doivent être résolus à l'aide d'un équipement antistatique monté sur la ligne de tuyauterie immédiatement après le point de rencontre des tuyaux de collecte des matériaux.

Compacteur à vis (Waste Screw Compactor)

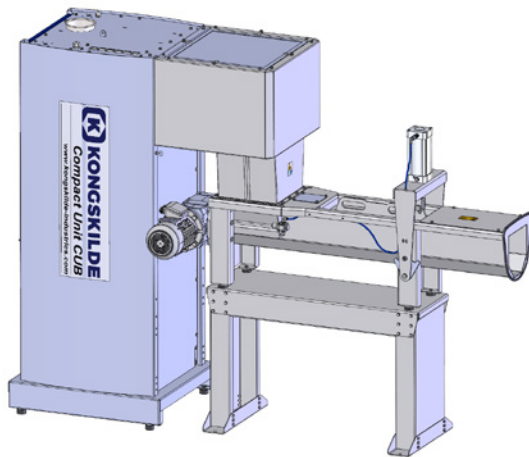
Le produit est un compacteur comprenant une vis sans fin montée dans une auge. La vis sans fin est entraînée par un motoréducteur et à l'extrémité de la vis sans fin, le matériau alimenté est comprimé contre un clapet de compression réglable. Le compacteur peut compacter des bandes coupées de papier, de plastique et de feuille métallique, et est monté sous le séparateur du CUB. Le compacteur peut également traiter des feuilles chargées d'électricité statique et des matériaux adhésifs si un système de lubrification à l'huile est installé (le compacteur doit toutefois être le modèle prévu pour les matériaux adhésifs).

Le compacteur est disponible en deux versions, pour un montage au sol ou sur pied.

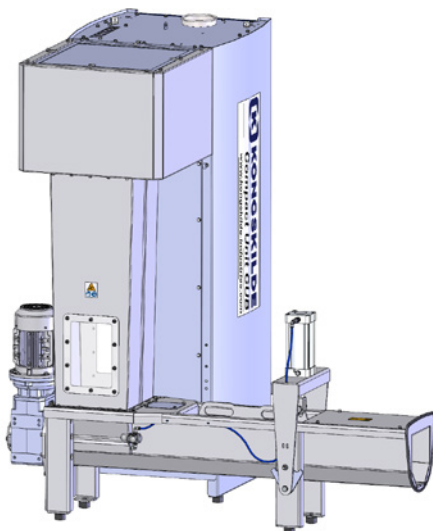
Le compacteur est placé au sol, sur lequel peut être placé un sac sans fin à la sortie des matériaux.



Le compacteur est placé sur un pied, sur lequel peut être placé un conteneur ou similaire à la sortie des matériaux.



Le compacteur peut être monté dans le prolongement du CUB ou perpendiculairement au CUB, des deux côtés (voir le croquis coté à la fin du manuel du compacteur).



Entretien et maintenance :

Tous les travaux d'entretien, de maintenance et de réparation doivent être effectués par des personnes qualifiées ou instruites.

Débranchez toujours l'alimentation électrique et l'air comprimé (s'il y en a un) du CUB avant toute réparation ou entretien et verrouillez l'interrupteur principal de manière à ce que le CUB ne puisse pas être mis en marche par erreur.

Vérifier chaque année la fixation et l'isolation des connexions électriques, y compris la mise à la terre.

Les roulements du moteur sont lubrifiés en usine et ne nécessitent pas de lubrification supplémentaire. Veillez à ce que l'air de refroidissement ait toujours un accès libre aux moteurs.

Le rotor du ventilateur est monté directement sur l'arbre du moteur, il n'y a donc pas de roulements dans le ventilateur elle-même.

Le rotor et le carter de la soufflante doivent être régulièrement contrôlés pour détecter les ruptures, les fissures et l'usure, le plus facilement par la trappe d'inspection et le tuyau de sortie du matériau.

L'utilisation d'une soufflante est dangereuse si le rotor et/ou le carter de la soufflante sont usés ou endommagés. En outre, le fonctionnement avec un rotor usé réduit la durée de vie des roulements du moteur. En outre, il convient de vérifier si une couche de matériau s'est accumulée, ce qui pourrait entraîner un déséquilibre du rotor et réduire l'efficacité du ventilateur. Le nettoyage de la matière doit être effectué de manière complète et régulière, afin d'éviter tout nouveau déséquilibre du rotor.

Filtres

Lorsque les pré-filtres et les filtres HEPA sont obstrués, le sac est de plus en plus sollicité et l'aspiration des matériaux est réduite (voir la section "Fonctionnement"). Les filtres doivent être remplacés ou éventuellement nettoyés à l'air comprimé. Détachez le pré-filtre en tournant les 4 supports situés en haut du séparateur. Si le CUB est équipé d'un filtre HEPA, il faut d'abord l'enlever en desserrant les 4 rails.

Les filtres peuvent être achetés auprès de Kongskilde sous les références suivantes :

Référence	Type
100 203 147	Filtre HEPA supérieur (1 pièce)
100 203 148	Préfiltre inférieur (1 pièce)

Le filtre HEPA peut être remplacé par un autre type de filtre de dimensions similaires lors du remplacement.

Coupeur

Il convient de vérifier régulièrement si le coupeur coupe de manière satisfaisante. Cela dépend beaucoup du matériau et de la quantité lors du réglage / de l'affûtage des lames.

Dépannage :

Dysfonctionnement	Cause	Remède
Aspiration de matière insuffisante	<p>Sac rempli de matériel. Si le CUB est équipé d'un capteur de niveau (accessoire), l'indicateur rouge s'allume - voir section "Fonctionnement".</p> <p>Préfiltre ou filtre principal obstrué.</p> <p>La vitesse du ventilateur est réglée à un niveau trop bas.</p> <p>La matière est alimentée en quantité trop importante.</p> <p>Le système de lubrification à l'huile (accessoire) ne fonctionne pas correctement (avec des matériaux collants).</p> <p>L'équipement antistatique (accessoire) ne fonctionne pas correctement (avec des matériaux statiques)</p>	<p>Remplacer le sac. Le cas échéant, le CUB doit également être vidé avant d'être remis en marche.</p> <p>Les filtres sont nettoyés ou remplacés, voir section « Entretien et maintenance ».</p> <p>Augmenter la vitesse du ventilateur.</p> <p>Réduire la quantité de matière</p> <p>Vérifier le système de lubrification de l'huile. Le cas échéant, le CUB doit également être vidé de son matériel avant d'être remis en marche.</p> <p>Vérifier l'équipement antistatique. Si nécessaire, le CUB doit également être vidé de son matériel avant d'être remis en marche</p>
Le matériau n'est pas suffisamment coupé	Coupeurs usés	Les coupeurs de coupe sont meulés ou remplacés
Le CUB ne fonctionne pas	<p>Absence de tension d'alimentation (par exemple, fusibles défectueux).</p> <p>Défaut du moteur du ventilateur ou de la fraise.</p> <p>Défaut du convertisseur de fréquence ou d'autres composants électriques. Vérifier le témoin de défaut du convertisseur de fréquence - voir la section "Fonctionnement".</p> <p>Chute excessive de la tension d'alimentation.</p> <p>Le coupeur est bloqué par le matériau (il ne tourne pas) - le voyant de défaut du convertisseur de fréquence s'allume</p>	<p>Connecter la tension d'alimentation.</p> <p>Remplacer le moteur.</p> <p>Remplacer les composants.</p> <p>Remplacer les câbles par des câbles de plus grande section ou trouver une autre cause de chute de tension.</p> <p>Éteindre et verrouiller l'interrupteur principal, éliminer les blocages au niveau du coupeur, du ventilateur, etc. et changer de matériau si nécessaire</p>

Le sac de matériau est anormalement expansé	Pression trop élevée dans le sac en raison d'un préfiltre ou d'un tamis obstrué	Le pré-filtre (et éventuellement le filtre HEPA) est vérifié et nettoyé ou remplacé si nécessaire. Si cela ne suffit pas, vérifiez/nettoyez l'écran du séparateur. Si le CUB est équipé de barres antistatiques, celles-ci peuvent être vérifiées sur le voyant situé à l'extrémité de la barre. Si celle-ci est éteinte, la barre est défectueuse. Si la LED clignote, la barre doit être nettoyée
---	---	---

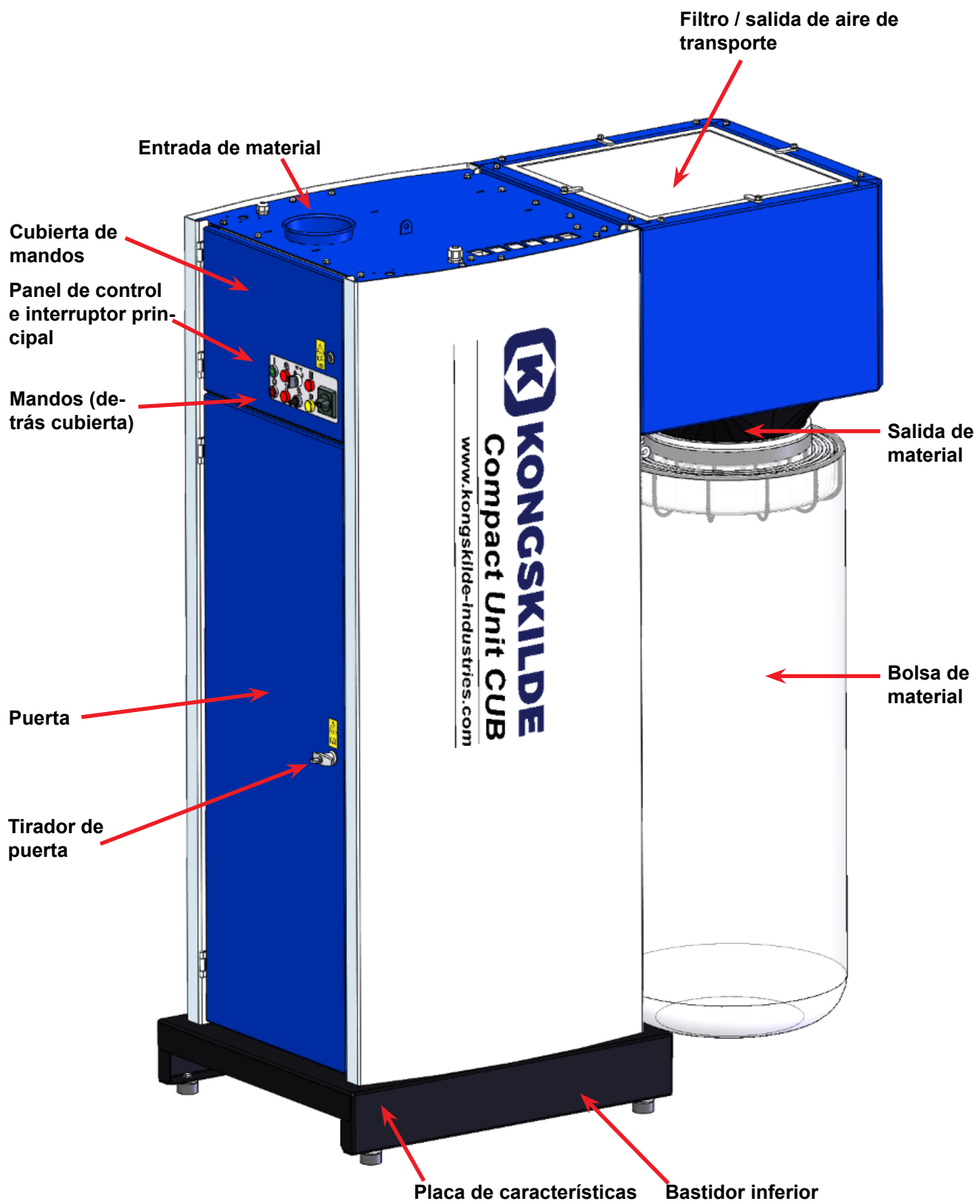
En cas de doutes, contacter un technicien de service qualifié ou le service après-vente Kongskilde.

Données techniques :

Réglage max. de la pression statique	4750 Pa
Épaisseur de matière	40 - 300 µm
Puissance de ventilateur CUB 1620	2,2 kW
Puissance de ventilateur CUB 1640	4 kW
Moteur de coupeur	0,75 kW / 1.500 tr/min
Alimentation électrique CE	3 x 400 V - 50Hz - 16A
Alimentation électrique UL/CSA	3 x 460 V - 60Hz - 16A
Alimentation en air comprimé (à raison de 175 l/min)	Min. 2,5 bar - max. 8 bar
Poids	400 kg
Hauteur x largeur x longueur	2.150 x 800 x 1.570 mm
Connexion de tuyau à l'entrée	OK 160
Préfiltre	Filtre de panneau F7
Filtre principal	Filtre à cassette HEPA H14*
Niveau de pression sonore Lp (1 mètre)	Max. 80 dBA**

* : ou similaire.

** : Le niveau de pression sonore est hors matériel et des niveaux plus élevés sont à prévoir lorsque le CUB manipule du matériel.



ES

Este manual corresponde a la unidad de manipulación de residuos de recortes Compact Unit CUB all-in-one de Kongskilde.

El grupo objetivo de este manual es el de los operarios, los instaladores (eléctricos) así como el personal de mantenimiento y de servicio

Descripción:

El producto es una unidad todo en uno, que contiene cortadora, ventilador y separador, diseñada para aspirar tiras cortadas de papel y láminas de plástico / metal, y continuas las tiras. La CUB también puede manipular recorte continuo adhesivo o con carga estática si se instala el equipo antiestático o de lubricación por aceite correspondiente. Sin embargo, ambos no pueden combinarse, ya que el aceite limita el efecto del equipo antiestático.

El espesor de material recomendado es de 40 - 300 µm. El material cortado se impulsa a través del separador y cae hacia en la bolsa de recogida. La bolsa de recogida puede ser individual o continua, en cuyo caso va montada en un soporte específico (accesorio). Además, se puede adquirir un compactador de tornillo (Waste Screw Compactor) para montar debajo del separador, que comprimirá el material y lo conducirá a una bolsa sin fin o a un contenedor o similar.

El aire de transporte pasa a través de un filtro incorporado antes ser evacuado fuera de la CUB. Puede instalarse posteriormente un filtro HEPA (accesorio), que permite expulsar el aire directamente a la sala de producción, en función de los requisitos locales de calidad del aire.

La CUB está diseñada para poder trasladarse fácilmente con una traspaleta o una carretilla elevadora, y puede conectarse fácilmente a las tuberías con una abrazadera rápida situada en la parte superior de la CUB. El CUB se maneja desde la parte delantera, donde se puede arrancar y parar, y ajustar la velocidad del ventilador. En la parte trasera, se cambia la bolsa de material.

La CUB no está diseñada para materiales húmedos o duros.

La CUB está disponible con cortador integrado y con cortador externo.

Indicaciones de advertencia:

Evite accidentes siguiendo siempre las normas de seguridad que están especificadas en el manual del usuario y en el propio equipo. El CUB debe montarse en un sistema de tuberías cerrado, sin acceso de per-

sonas a las piezas móviles.

Existe riesgo de daños en el equipo si se aspiran/ dejan caer cuerpos extraños de cierto tamaño en el sistema de tuberías.

La falta de supervisión del CUB puede provocar el desgaste de piezas vitales, véase el apartado «Servicio y mantenimiento».

La instalación y la fijación deben realizarse de acuerdo con la normativa (véase el apartado «Instalación»), ya que, de lo contrario, se verá afectada la estabilidad y aumentará el desgaste.

Asegúrese de que todas las cubiertas y puertas estén bien colocadas y sujetas durante el funcionamiento.

Desconecte siempre la alimentación y el aire comprimido del CUB antes de repararlo o de realizar el mantenimiento. El interruptor principal debe estar desconectado y bloqueado (por ejemplo, con un candado), para garantizar que el equipo no pueda ponerse en marcha por error.

Tenga cuidado al reparar el cortador o el ventilador: las cuchillas del cortador están muy afiladas y sólo deben manipularse con guantes. Del mismo modo, no ponga nunca en marcha el ventilador cuando se haya retirado la trampilla que lo cubre.

Asegúrese de que existen vías de acceso seguras que puedan utilizarse para la reparación y el mantenimiento de la unidad. El área de trabajo situada alrededor del equipo debe estar despejada para que no haya riesgo de accidentes por caídas.

Asegúrese de que las condiciones de iluminación sean suficientes para el funcionamiento seguro.

Tenga cuidado de no dañarse o pellizcarse los dedos al cambiar las bolsas

Si se observa un ruido o una vibración anormal, debe detener inmediatamente el equipo y solicitar asistencia cualificada.

Utilice protección ocular cuando trabaje cerca de la salida de aire del ventilador. En caso de que haya pequeñas partículas en el material transportado, éstas podrían salir despedidas por la salida de aire del ventilador, causando lesiones oculares.

Si la CUB está equipada con un sistema de neblina de aceite para su uso con material adhesivo, se debe tener cuidado al manipular el sistema de neblina de aceite. Si el aceite entra en contacto con la piel, límpiela a fondo con agua y jabón. En caso de que el aceite entre en contacto con los ojos, enjuáguelos a fondo con agua y, en caso de irritación, solicite atención médica.

Además, deben utilizarse gafas protectoras al manipular el aceite y al cambiar las bolsas con el sistema de aceite activado.

Asegúrese de que el CUB esté instalado sobre una superficie estable y nivelada, de modo que no se pueda caer ni volcar.

La velocidad del ventilador del CUB puede ajustarse de forma continua mediante el panel de control. Para no sobrecargar el ventilador y el motor, la velocidad no puede ajustarse por encima de la velocidad para la que está diseñado el ventilador. No está permitido modificar el equipo eléctrico para aumentar la velocidad máxima del ventilador.

El CUB está diseñado para que no sea posible entrar en contacto con piezas giratorias durante el funcionamiento normal.

Sin embargo, tenga en cuenta que si se quitan las cubiertas y se pone en marcha la CUB, existe riesgo de lesiones personales.

Si la CUB está equipada con un cortador externo, consulte su manual de usuario para su seguridad e instalación.

Todas las uniones de tuberías a una distancia mínima de 850 mm antes y después de la cortadora deben realizarse con conexiones de abrazadera de perno, por lo que deben utilizarse herramientas para el desmontaje y el acceso al rotor de la cortadora.

El interruptor principal de la CUB no desconecta el motor de la cortadora externa ni otros accesorios, por lo que se necesita un interruptor de seguridad independiente para la cortadora.

Signos de advertencia:

Evite accidentes siguiendo siempre las instrucciones de seguridad que están especificadas en el manual y en el ventilador.

En el ventilador hay etiquetas de advertencia con símbolos sin texto. El significado de los símbolos se explica a continuación. Si se daña una etiqueta de advertencia y ya no se puede leer, debe cambiarla. En la lista de piezas de repuesto hay disponibles etiquetas nuevas.



Lea atentamente el manual del usuario y preste atención a los textos de advertencia que figuran en el manual del usuario y en el manipulador de residuos de recortes.



Desconecte siempre la alimentación eléctrica del manipulador de residuos de recortes antes de proceder a su reparación y mantenimiento y asegúrese de que no pueda ponerse en marcha por error.



No introduzca nunca la mano en la salida del manipulador de residuos de recortes mientras esté en funcionamiento.

Instalación:

La CUB se entrega de fábrica lista para su uso, y sólo es necesario conectarla al suministro eléctrico, al aire a presión y a las tuberías de entrada, y montar las bolsas.

Si hay que mover el CUB, se utilizará una carretilla elevadora, una transpaleta o un dispositivo similar para levantar por debajo del bastidor inferior del CUB, en el extremo donde está montado el panel del operador (opuesto a la conexión de la bolsa).

Las horquillas deberán estar aproximadamente a 1.100 mm o más.

Es importante que la CUB esté nivelada, de lo contrario las puertas no podrán cerrarse correctamente. El ajuste puede realizarse en las 4 zapatas de la máquina situadas bajo el bastidor inferior de la CUB.

Peso: Consulte la parte posterior del manual.

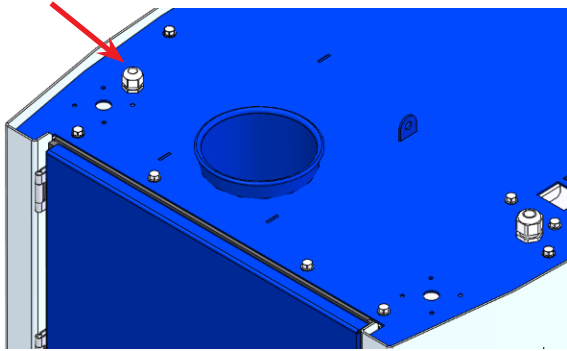
Instalación eléctrica:

La conexión eléctrica debe ser realizada por un instalador eléctrico autorizado. Todas las instalaciones eléctricas deben realizarse de acuerdo con la legislación local vigente. Compruebe que el suministro eléctrico in situ se ajusta a las especificaciones del manipulador de residuos de recortes.

Al conectar el equipo, proceda del siguiente modo:

1. El cable de suministro debe conducirse hasta el equipo.

2. Abra la tapa de la puerta y los mandos de la parte delantera.
3. Pase el cable de suministro por la parte superior del equipo a través del prensaestopas.



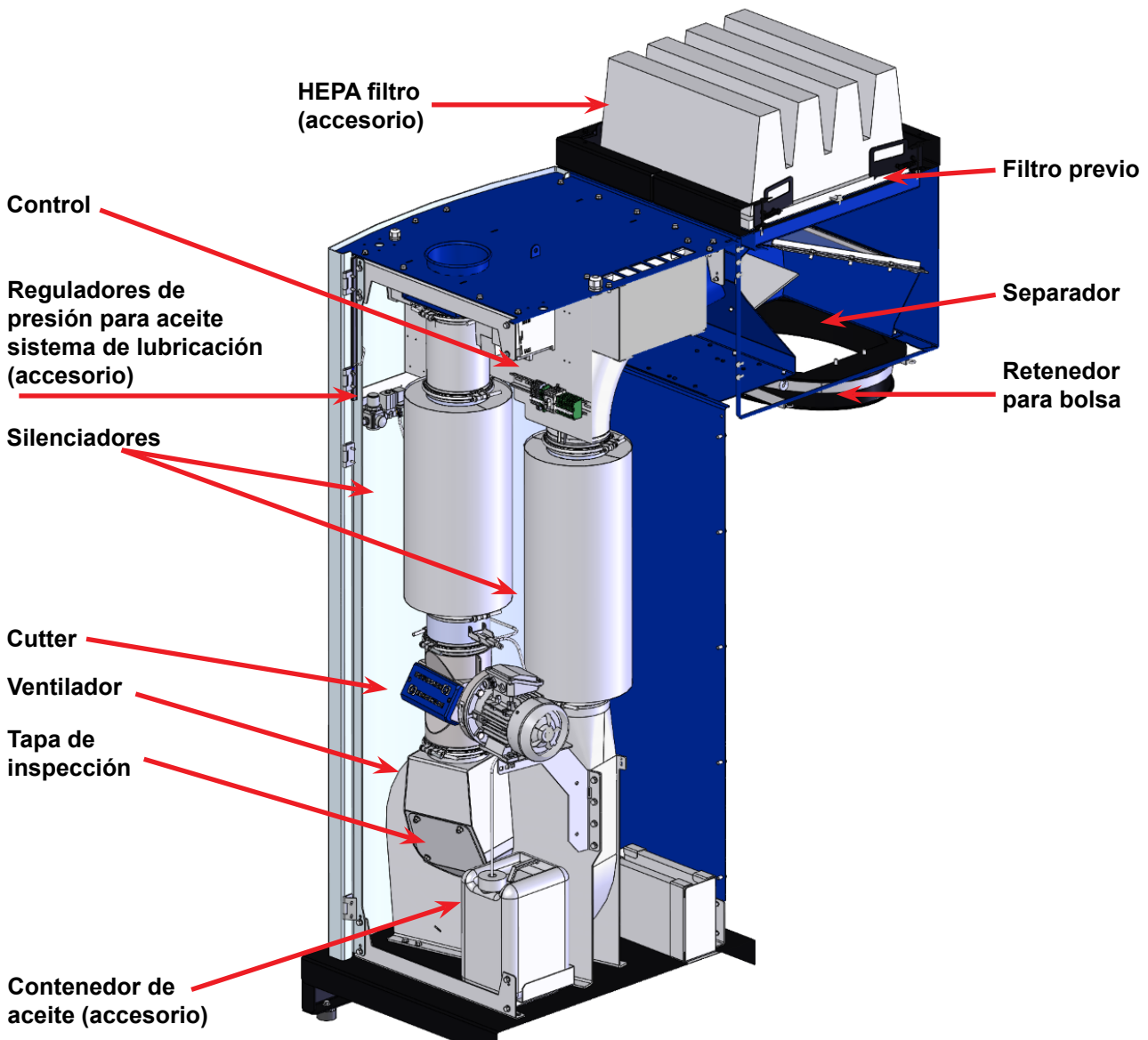
4. Conecte el cable al interruptor principal.
5. Apriete el prensaestopas en la parte superior del CUB. Si se desea, el cable puede aliviarse aún más con una brida en el carril en T situado a la derecha del interruptor principal.
6. Vuelva a colocar la CUBierta sobre el control y cierre las puertas.

Fusible: 16A - 3x400V 50Hz

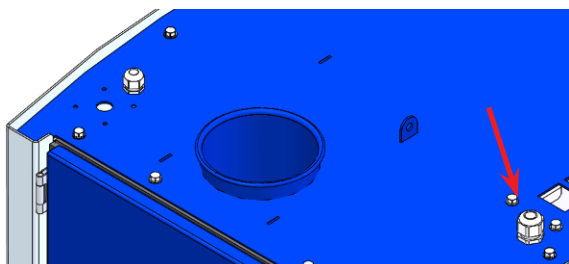
Si se requiere un relé de corriente residual HPFI en la alimentación de la CPU, debe ser un relé tipo B de 300 mA, ya que el control contiene variadores de CA incorporados.

Disyuntor para el control y el panel de control

El control y el panel de control se alimentan mediante una fuente de alimentación de 24 VDC. Esta fuente de alimentación está protegida por un disyuntor que se suministra conectado, pero que puede dispararse en caso de sobrecarga.



La conexión de aire comprimido se realiza pasando una manguera de aire comprimido de Ø8 mm a través del alivio de cable de la parte superior y conectando la manguera a la sistema de lubricación por aceite (accesorio).



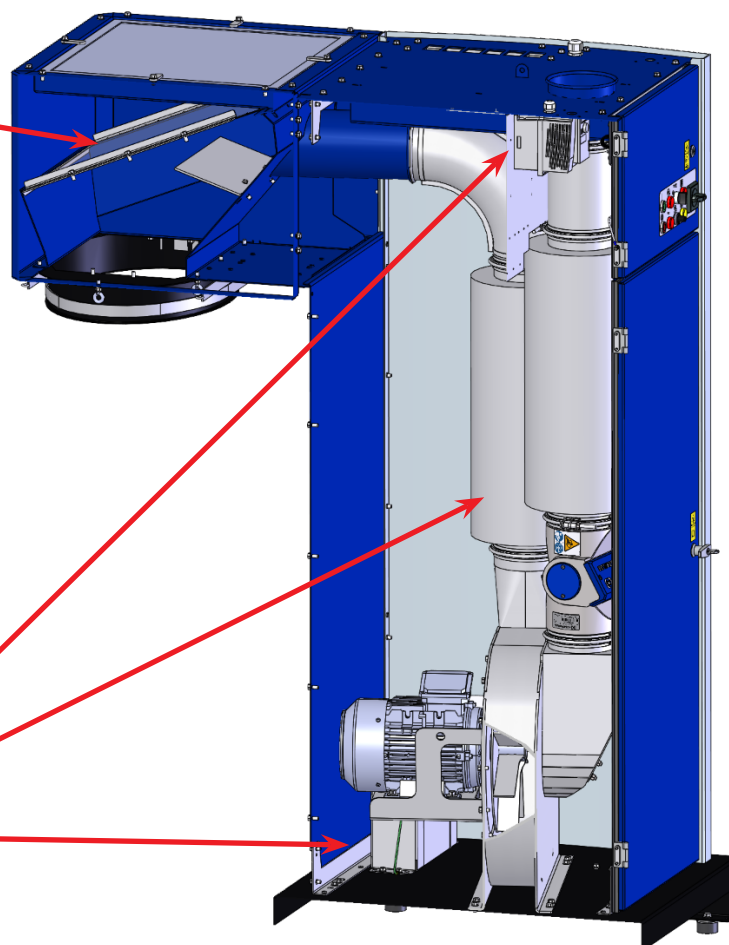
Luz indicadora del sensor de nivel (accesorio)

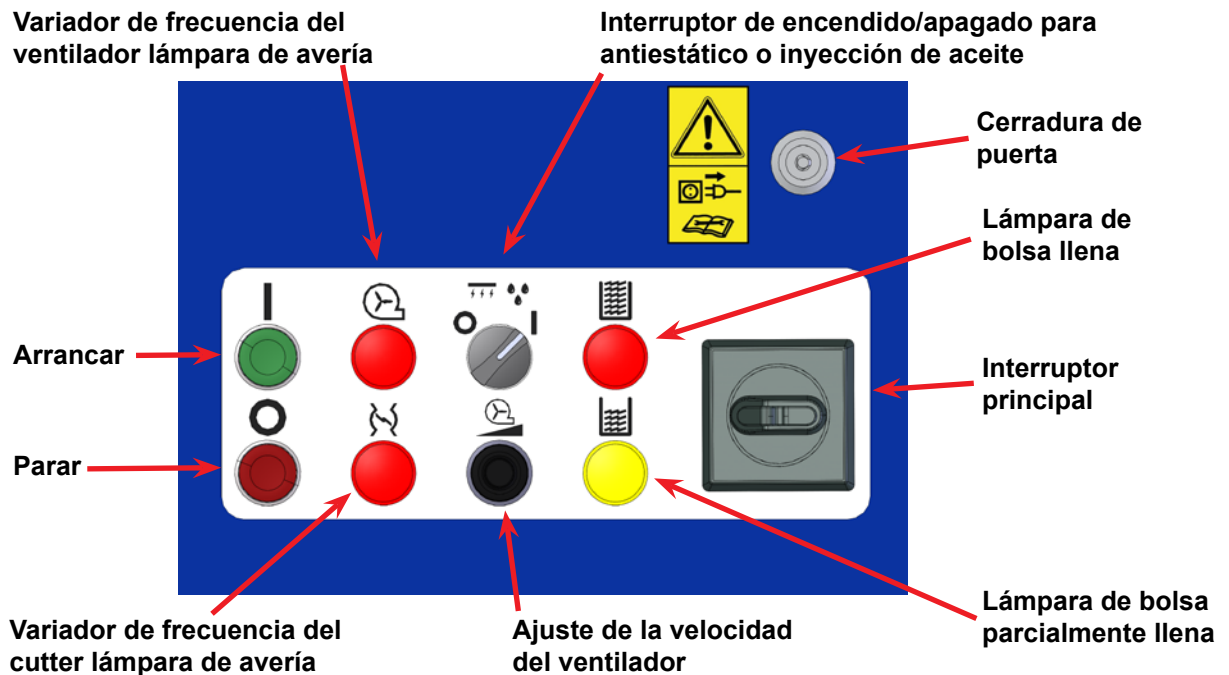
Sensor de nivel para la detección de bolsa llena (accesorio)



Red separador

Silenciadores





Operación:

Arrancar

Interruptor principal - póngalo en On / I

Interruptor de arrancar/parada - poner en I para arrancar la CUB.

Ajuste de la velocidad del ventilador

Después de arrancar la CUB, la velocidad del ventilador se ajusta hacia arriba hasta que la succión de material sea suficiente. A continuación, reduzca la velocidad del ventilador hasta que la succión se reduzca por debajo de un nivel aceptable, y aumente ligeramente la velocidad del ventilador hasta que la succión de material vuelva a ser óptima.

Parar

Interruptor de arranque/parada - póngalo en O para parar la CUB.

Lámpara de avería del variador de frecuencia del ventilador

Se enciende en rojo al conectar el interruptor principal, si el control detecta un error en el **variador** de frecuencia del ventilador, o si el disyuntor del variador está en Off. Si es necesario, consulte la sección "Solución de problemas". El CUB no se puede poner en marcha y, además, se encenderá la luz roja de la baliza de señalización.

Lámpara de avería del variador de frecuencia del cutter

Se enciende en rojo al conectar el interruptor principal, si el control detecta un error en el variador de frecuencia del cutter, o si el disyuntor del variador está en

Off. Si es necesario, consulte la sección "Solución de problemas". El CUB no se puede poner en marcha y, además, se encenderá la luz roja de la baliza de señalización.

Interruptor de encendido/apagado para equipo antiestático o inyección de aceite (accesorio)

Coloque el interruptor en la posición On para conectar el equipo antiestático en el separador, o la lubricación por aceite.

Lámpara de bolsa parcialmente llena (accesorio)

Se enciende y se ilumina en amarillo cuando la bolsa de material está llena aproximadamente al 80%. Si se desconecta la CUB en el interruptor principal y se vuelve a conectar, la lámpara indicadora se encenderá inmediatamente hasta que se cambie la bolsa. La bolsa de material debe cambiarse lo antes posible y, a más tardar, antes de que se encienda la luz indicadora roja.

La lámpara se complementa con una lámpara amarilla en de la baliza de señalización de la parte superior de la CUB.

Lámpara de bolsa llena (accesorio)

Se enciende y se ilumina en rojo cuando la bolsa de material está completamente llena. La CUB se detiene para evitar el desperdicio de material. Si se apaga la CUB en el interruptor principal y se vuelve a encender, la lámpara indicadora se encenderá inmediatamente y la CUB no podrá ponerse en marcha hasta que se sustituya la bolsa. En el control hay un temporizador ajustable que determina el tiempo que transcurre desde que el sensor de nivel detecta una bolsa llena

hasta que el indicador se enciende en rojo y la CUB se detiene. El indicador se complementa con una luz roja en el semáforo de la parte superior de la CUB.

Colocación / sustitución de la bolsa

La forma más sencilla de instalar la bolsa es guiarla alrededor de la salida del separador con ambas manos, tras lo cual se desengancha la correa de caucho de un ojo, se pasa alrededor de la salida y se engancha en el otro ojo. Repita la operación con la otra correa de equipaje.

Utilice gafas protectoras cuando cambie las bolsas con un ventilador en marcha, consulte la sección "Notas de advertencia".

Cuando la bolsa esté llena, haga lo siguiente:

- Detenga la CUB en el interruptor de arranque/parada.
- Afloje las correa de caucho y engánchela en los ojales
- Ata la bolsa con, por ejemplo, una brida para cables
- Coloca una bolsa nueva
- Arranque la CUB con el interruptor de arranque/parada

Es ventajoso utilizar una bolsa sin fin, que permitirá retirar más rápidamente la bolsa llena y así no interrumpir la aspiración de material más tiempo del necesario. Véase el apartado "Accesorios".

Tanto la bolsa como el filtro deben inspeccionarse periódicamente, dependiendo del material y de si se ha instalado un equipo antiestático o un sistema de lubricación por aceite.

Las bolsas pueden adquirirse en Kongskilde bajo los siguientes números de artículo:

Referencia	Tipo
100 203 149	Bolsa de material 900 litros (10 uds.)
100 203 167	Bolsa de material sin fin (1 ud.)

Limpieza y sustitución de los filtros - véase el apartado "Servicio y mantenimiento".

La manilla de la puerta debe bloquearse y la llave debe retirarse durante el funcionamiento normal para evitar el acceso no autorizado a los componentes internos.

Accesorios:

Retenedor para bolsa sin fin

El retenedor de bolsas consta de un anillo que se monta debajo de la salida de material, una cesta que

sujeta la bolsa y un asa que eleva la cesta entre las posiciones abierta y posición abierta y cerrada. El retenedor de bolsas sin fin está montado debajo del separador y en la placa trasera del armario. La bolsa de material sin fin se coloca en la cesta y cuando la bolsa esté llena, haga lo siguiente:

- Pare el CUB en el interruptor de arranque/parada
- Tire ligeramente de la bolsa hacia abajo y átela con, por ejemplo, dos bridas colocadas a una distancia aproximada de 5 cm.
- Corte la bolsa entre las dos bridas y tire de la bolsa vacía hacia el suelo
- Arranque el CUB con el interruptor de arranque/parada

NB - No retire las bridas de la bolsa sin fin antes de colocarla en el portabolsas, de lo contrario existe el riesgo de que la bolsa se deslice y resulte difícil colocarla en el portabolsas.

Filtro HEPA

El filtro se monta en la parte superior del separador y complementa el prefiltro estándar (F7). El filtro HEPA garantiza que el aire de salida de la CUB esté limpio de residuos de material y polvo, y permite la salida directa a la sala de producción, en función de los requisitos locales de calidad del aire. El filtro se sujeta mediante los 4 raíles de acero incluidos (los 4 soportes que sujetan el prefiltro se retiran antes de la instalación).

Sensor de nivel para la detección de bolsa llena

El sensor detecta cuándo la bolsa está a punto de llenarse o ya está llena. La señal activa una baliza de señalización situado en la parte superior del CB según las siguientes indicaciones de color:

- Rojo = La bolsa está completamente llena y el CB se ha detenido
- Amarillo = La bolsa está llena en aproximadamente un 80 % o más
- Verde = El CB funciona con normalidad

El sensor se monta en el soporte suministrado debajo del separador y se conecta a la unidad de control del CB de acuerdo con las instrucciones adjuntas. La posición del sensor se puede ajustar en el soporte.

Nota: En caso de fallo en el variador de frecuencia del ventilador o del cutter, la luz roja de la baliza también se encenderá y el equipo CUB se detendrá.

Sistema de lubricación por aceite

El sistema consta de un depósito de aceite, una boquilla de inyección, un regulador de presión y un temporizador.

El sistema de aceite añade una cantidad de aceite en la tubería a través de una boquilla ajustable antes de la cortadora. El aceite se atomiza en la cortadora, lo que lubrica el ventilador y el separador. Esto evita que

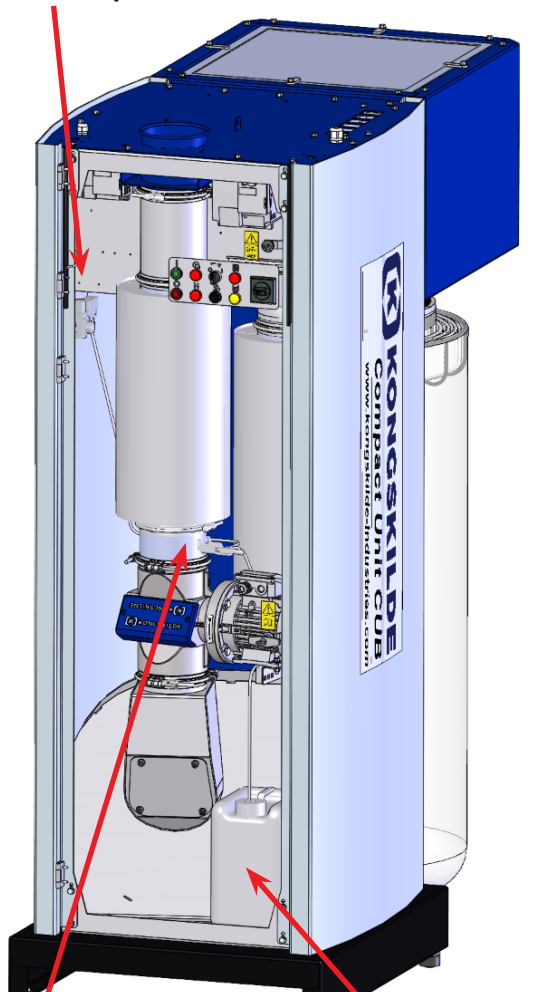
los materiales pegajosos/adhesivos bloqueen la CUB. El sistema funciona con aire comprimido y un temporizador de 24 VCC, y contiene un contenedor integrado de 10 litros.

Es posible ajustar la cantidad de aceite en la boquilla y en el temporizador del control, en función de las necesidades (la cantidad de adhesivo del material, la cantidad transportada y la viscosidad del aceite).

Ajustes recomendados:

- La boquilla de inyección viene ajustada a 1 vuelta desde 0 (puede ajustarse entre 0 y 10 vueltas)
- El temporizador viene ajustado para la inyección de aceite el 50% (puede ajustarse entre 0 y 100%)
- El regulador de presión viene ajustado a 2,5 bar (ajustable entre 0,5 - 2,5 bar)

Regulador de presión



Boquilla de inyección

10 litros depósito de aceite

Si desea comprobar la cantidad de aceite inyectado, la forma más fácil es retirar la manguera de aspiración del recipiente de aceite y colocar la manguera en un pequeño recipiente abierto de aceite. Así podrá comprobar cuánto aceite se absorbe, por ejemplo, en 5 minutos.

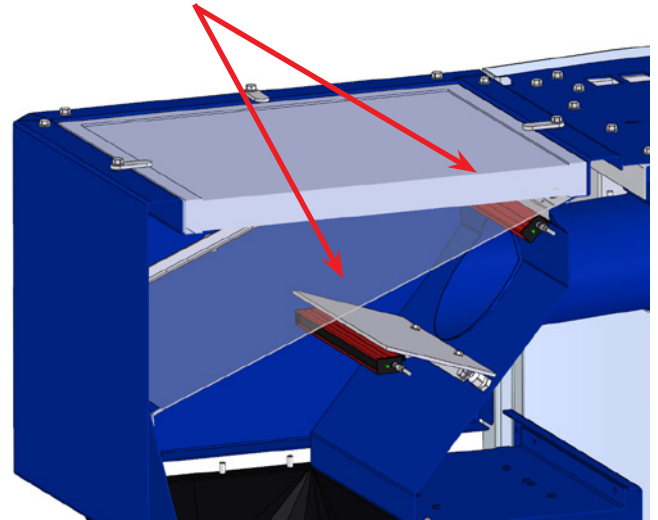
El sistema de lubricación por aceite puede encenderse y apagarse en el panel del operador.

Equipo antiestático

El equipo se monta en la parte superior del separador evitando que el material se pegue a la malla del separador y a la parte superior de la bolsa. Después, el efecto antiestático disminuye hacia abajo en la bolsa. El equipo viene completo con barras antiestáticas, soporte y cables. El equipo puede encenderse y apagarse en el panel del operador.

NB - si se producen problemas de electricidad estática antes del separador CUB, deben solucionarse con un equipo antiestático montado en el ramal de tuberías inmediatamente después del punto de unión de las tuberías de aspiración de material.

Barras antiestáticas

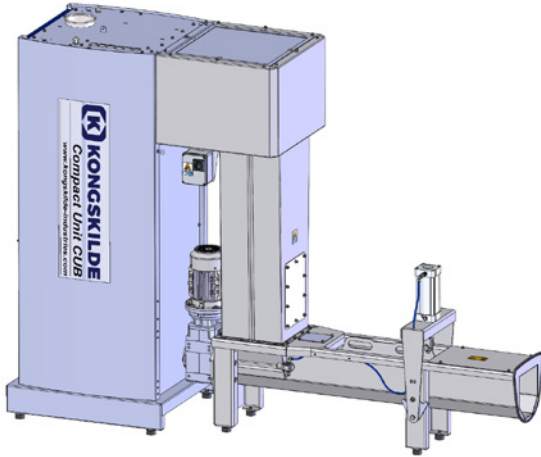


Compactador de tornillo (Waste Screw Compactor)

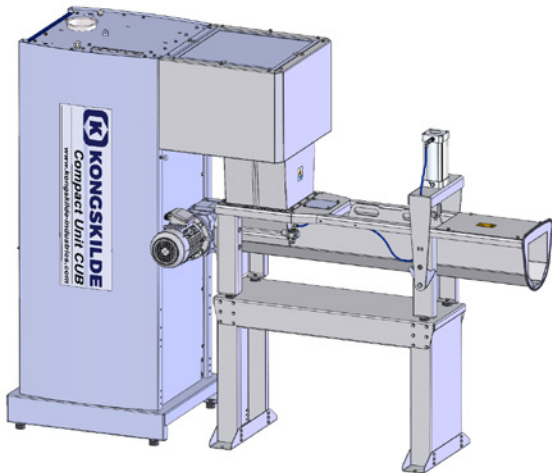
El producto es un compactador que contiene un tornillo sinfín montado en una tolva. El tornillo sinfín es accionado por un motorreductor y en el extremo del tornillo sinfín, el material introducido se comprime contra una compuerta de compresión ajustable. El compactador puede compactar tiras cortadas de papel, plástico y foil metalizado, y se monta debajo del separador del CUB. El compactador también puede manejar láminas con carga estática y material adhesivo si se instala un sistema de lubricación con aceite (sin embargo, el compactador debe ser el modelo diseñado para material adhesivo).

El compactador se puede adquirir en dos versiones, para montaje en suelo o en bastidor.

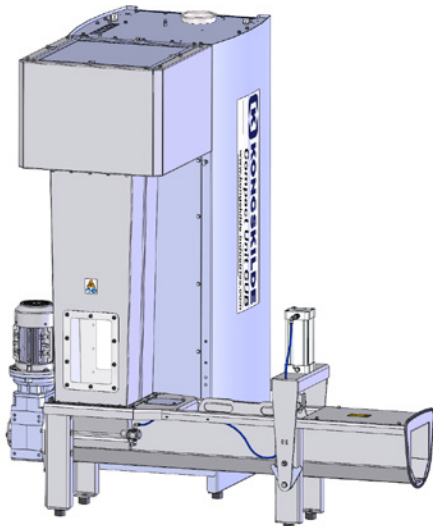
El compactador colocado en el suelo, sobre el que se puede colocar una bolsa sin fin en la salida de material.



El compactador colocado en un bastidor, sobre el que se puede colocar un contenedor o similar en la salida de material.



El compactador se puede montar en prolongación del CUB o en ángulo recto con respecto al CUB, a ambos lados (véase el esquema de medidas al final del manual del compactador).



Servicio y mantenimiento:

Todas las operaciones de servicio, mantenimiento y reparación deben ser realizadas por personal cualificado o instruido.

Desconecte siempre la alimentación eléctrica y el aire comprimido (si está instalado) de la CUB antes de realizar reparaciones y tareas de mantenimiento, y bloquee el interruptor principal para que la CUB no pueda ponerse en marcha por error.

Compruebe anualmente la sujeción y el aislamiento de las conexiones del cableado, incluida la conexión a tierra.

Los rodamientos de los motores vienen lubricados de fábrica y no requieren lubricación adicional. Asegúrese de que siempre haya un acceso libre de aire de refrigeración a los motores. El rotor del ventilador está montado directamente en el eje del motor, por lo que no hay rodamientos en el propio ventilador.

El rotor y la carcasa del ventilador deben revisarse periódicamente para detectar roturas, grietas y desgaste, más fácilmente a través de la trampilla de inspección y el tubo de salida de material.

El funcionamiento de un ventilador es peligroso si el rotor y/o la carcasa del ventilador están desgastados o dañados. Además, el funcionamiento con un rotor desgastado reducirá la vida útil de los rodamientos del motor. Además, debe comprobarse si se ha acumulado una capa de material que pueda causar un desequilibrio en el rotor y reducir la eficacia del ventilador. Al limpiar el material, debe hacerse a fondo y de manera uniforme, para que no se produzcan más desequilibrios en el rotor.

Filtros

Cuando los filtros pre y HEPA se obstruyen, la bolsa se estira cada vez más y se reduce la aspiración de material (véase el apartado "Funcionamiento"). Los filtros deben sustituirse o, en su caso, limpiarse con aire comprimido. Afloje el prefiltro girando los 4 soportes situados en la parte superior del separador. Si el CUB está equipado con un filtro HEPA, éste deberá retirarse en primer lugar, aflojando los 4 raíles.

Los filtros pueden adquirirse en Kongskilde bajo los siguientes números de artículo:

Referencia	Tipo
100 203 147	Filtro HEPA superior (1 ud.)
100 203 148	Prefiltro inferior (1 ud.)

El filtro HEPA puede ser sustituido por otro tipo de filtro de dimensiones similares al sustituirlo.

Cortador

Debe comprobarse periódicamente si el cortador corta satisfactoriamente. Depende mucho del material y de la cantidad a la hora de ajustar / afilar el afilado de las cuchillas.

Localización de averías:

Fallo	Causa	Solución
Aspiración de material insuficiente	<p>Bolsa llena de material. Si la CUB está equipada con un sensor de nivel (accesorio), se encenderá el indicador rojo - véase el apartado "Funcionamiento".</p> <p>Prefiltro y/o filtro principal obstruidos.</p> <p>Velocidad del ventilador demasiado baja.</p> <p>El material se alimenta en una cantidad demasiado grande.</p> <p>El sistema de lubricación por aceite (accesorio) no funciona correctamente (con materiales pegajosos).</p> <p>El equipo antiestático (accesorio) no funciona correctamente (con materiales estáticos)</p>	<p>Vuelva a colocar la bolsa. Si es necesario, la CUB también debe vaciarse de material antes de volver a ponerla en marcha.</p> <p>Limpiar o cambiar los filtros, véase el apartado «Servicio y mantenimiento».</p> <p>Aumente la velocidad del ventilador.</p> <p>Reduzca la cantidad de material</p> <p>Comprobar el sistema de lubricación de aceite. En caso necesario, vaciar la CUB de material antes de volver a ponerla en marcha.</p> <p>Comprobar el equipo antiestático. En caso necesario, vaciar la CUB antes de volver a ponerla en marcha</p>
Material no suficientemente cortado	Cuchillos de corte desgastados	Cuchillas de corte rectificadas o sustituidas
CUB no funciona	<p>Falta de tensión de alimentación (por ejemplo, fusibles defectuosos).</p> <p>Defecto del motor del ventilador o de la cortadora.</p> <p>Variador de frecuencia u otros componentes eléctricos defectuosos. Compruebe el indicador luminoso de avería del variador de frecuencia; consulte el apartado "Funcionamiento".</p> <p>Caída excesiva de la tensión de alimentación.</p> <p>El cutter está bloqueado por material (no gira): se encenderá el indicador luminoso de fallo del convertidor de frecuencia</p>	<p>Conecte la tensión de alimentación.</p> <p>Sustituir el motor.</p> <p>Sustituya los componentes.</p> <p>Sustituya los cables por otros de mayor sección o localice otra causa de la caída de tensión.</p> <p>Apague y bloquee el interruptor principal, elimine la obstrucción en la cortadora, el ventilador, etc. y cambie a otro material si es necesario</p>
Bolsa de material anormalmente expandida	Presión demasiado alta en la bolsa por obstrucción del prefiltro o del tamiz	Se comprueba el prefiltro (y posiblemente el filtro HEPA) y se limpia o sustituye si es necesario. Si esto no ayuda, compruebe/ limpie la rejilla del separador. Si el CUB está equipado con barras antiestáticas, éstas pueden comprobarse en el LED situado en el extremo de la barra. Si está apagado, la barra está defectuosa. Si el LED parpadea, la barra debe limpiarse

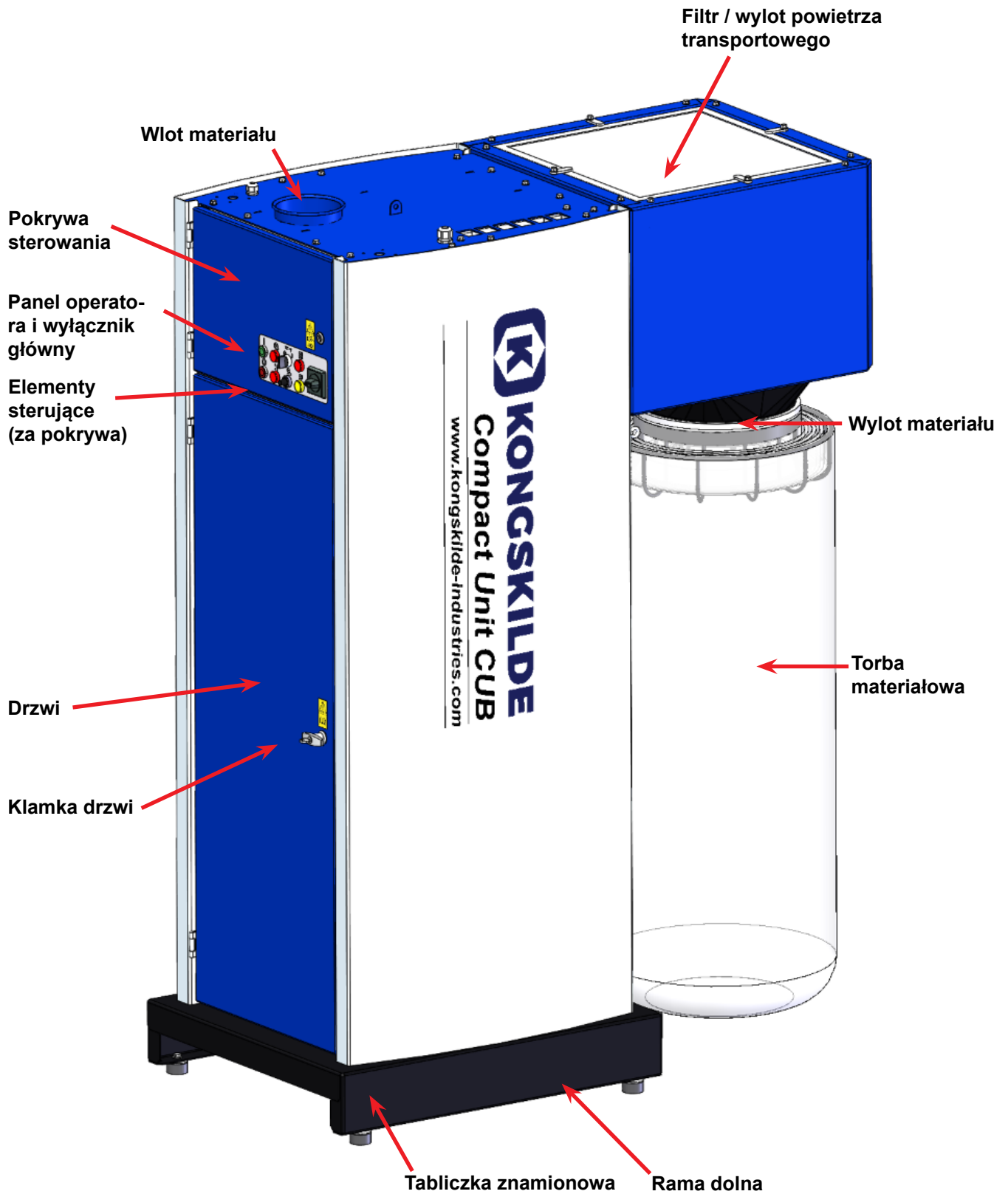
En caso de duda, póngase en contacto con un técnico del servicio cualificado o con el Departamento de Servicio de Kongskilde.

Datos técnicos:

Presión estática máx.	4.750 Pa
Grosor del material	40 - 300 µm
Potencia del ventilador CUB 1620	2,2 kW
Potencia del ventilador CUB 1640	4 kW
Motor del cutter	0,75 kW / 1.500 rpm
Suministro eléctrico CE	3 x 400V - 50Hz - 16A
Suministro eléctrico UL/CSA	3 x 460V - 60Hz - 16A
Suministro de aire comprimido (a 175 l/min)	Mín. 2,5 bar - máx. 8 bar
Peso	400 kg
Alto x ancho x largo	2.150 x 800 x 1.570 mm
Conexión de la tubería en la entrada	OK 160
Filtro previo	Filtro de panel F7
Filtro principal	Filtro HEPA H14*
Nivel de presión sonora Lp (1 metro)	Máx. 80 dBA**

*: O similar

** : El nivel de presión sonora es excl. material y niveles más altos son de esperar cuando CUB maneja material.



PL

Niniejsza instrukcja ma zastosowanie do urządzenia przetwarzającego ścinki „All-In-One” Kongskilde CUB. Adresatami tej instrukcji są operatorzy, instalatorzy (elektryczni), a także personel odpowiedzialny za konserwację i obsługę serwisową.

Opis:

Produkt jest urządzeniem typu "All-In-One", zawierającym młynek, dmuchawę i separator, zaprojektowanym do zasysania pociętych pasków papieru i folii plastikowej / metalowej oraz ich cięcia. CUB może również obsługiwać folie samoprzylepne lub naładowane statycznie, jeśli zainstalowane jest odpowiednie smarowanie olejem lub sprzęt antystatyczny. Nie można ich jednak łączyć, ponieważ olej ogranicza działanie sprzętu antystatycznego. Zalecana grubość materiału to 40 - 300 µm. Cięty materiał jest wydmuchiwany przez separator, a następnie wpada do worka. Worki mogą być jednocześnie lub rozwijane, które są zamontowane w uchwycie (akcesoria). Dodatkowo można dokupić zagęszczarkę (Waste Screw Compactor) do montażu pod separatorem, który będzie zagęszczał materiał i kierował go do worka ciągłego lub kontenera lub podobnego pojemnika.

Powietrze transportowe jest oczyszczane we wbudowanym filtrze i wysyłane z CUB. Filtr HEPA można doposażyć (akcesoria), co umożliwi powrót powietrza bezpośrednio do pomieszczenia produkcyjnego, w zależności od lokalnych wymagań dotyczących jakości powietrza.

CUB został zaprojektowany tak, aby można go było łatwo transportować za pomocą podnośnika paletowego lub wózka widłowego i można go łatwo podłączyć do orurowania za pomocą klamry szybkołącznej na górze CUB. Obsługa CUB odbywa się z przodu, gdzie można ją uruchamiać i zatrzymywać oraz regulować prędkość dmuchawy. Z tyłu wymienia się worek z materiałem.

Model CUB nie jest przeznaczony do wilgotnych lub twardych materiałów.

Model CUB jest dostępny z wbudowanym lub zewnętrznym młynkiem.

Ostrzeżenia:

Unikać wypadków, zawsze przestrzegając zasad bezpieczeństwa podanych w instrukcji obsługi oraz umieszczonych na urządzeniu do przetwarzania ścinków. Urządzenie do przetwarzania ścinków należy za-

montować w zamkniętym systemie rur w sposób uniemożliwiający dostęp osób do elementów ruchomych. Zassanie/opadanie ciał obcych o określonej wielkości do systemu rur stwarza ryzyko uszkodzenia urządzenia do przetwarzania ścinków.

Brak nadzoru urządzenia do przetwarzania ścinków może doprowadzić do zużycia najważniejszych elementów – patrz rozdział „Serwis i konserwacja”.

Montaż i mocowanie należy wykonać zgodnie z przepisami (patrz rozdział „Montaż”). W przeciwnym razie może dojść do naruszenia stabilności oraz zwiększenia zużycia.

Podczas pracy wszystkie pokrywy i drzwi muszą być i prawidłowo zamocowane.

Przed przystąpieniem do napraw i konserwacji urządzenia do przetwarzania ścinków zawsze odłączyć zasilanie elektryczne i sprężone powietrze. Aby uniemożliwić przypadkowe uruchomienie urządzenia do przetwarzania ścinków (np. za pomocą kłódki), wyłącznik główny musi być wyłączony i zablokowany.

Zachowaj ostrożność podczas serwisowania młynka lub dmuchawy - ostrza młynka są bardzo ostre i powinny być obsługiwane wyłącznie w rękawiczkach. Podobnie, nigdy nie uruchamiaj dmuchawy, gdy pokrywa dmuchawy została zdjęta.

Zapewnić bezpieczne drogi dostępu, z których można korzystać podczas napraw i konserwacji urządzenia do przetwarzania ścinków. Strefa robocza wokół urządzenia do przetwarzania ścinków musi być wolna od przeszkód i elementów grożących potknięciem, tak aby zapobiegać ryzyku wypadków z powodu potknięcia. Zapewnić odpowiednie oświetlenie zapewniające bezpieczną obsługę urządzenia do przetwarzania ścinków.

Należy uważać, aby nie skaleczyć ani nie przytrzasnąć palców podczas wymiany worków.

Jeśli CUB jest wyposażona w system olejowania do użytku z foliami samoprzylepnymi, należy zachować ostrożność podczas obsługi systemu olejowania. Jeśli olej dostanie się na skórę, należy ją dokładnie umyć wodą z mydłem. W przypadku dostania się oleju do oczu, należy je dokładnie przepłukać wodą, a w przypadku podrażnienia, skontaktować się z lekarzem. Ponadto podczas obchodzenia się z olejem i wymiany worków z włączonym systemem olejowania należy nosić okulary ochronne.

W przypadku stwierdzenia jakichkolwiek nietypowych drgań lub hałasów należy natychmiast zatrzymać urządzenie do przetwarzania ścinków i wezwać wykwalifikowaną pomoc.

Podczas prac w pobliżu wylotu powietrza z dmuchawy stosować ochronę oczu. Małe cząstki stałe mogące znajdować się w przenoszonym materiale mogą zostać wydmuchane z wylotu powietrza dmuchawy, powodując uszkodzenie oczu.

Zapewnić ustawienie urządzenia do przetwarzania ścinków na stabilnym i poziomym podłożu, tak aby było zabezpieczone przed upadkiem i przewróceniem się.

Prędkość dmuchawy urządzenia do przetwarzania ścinków można regulować bezstopniowo z panelu operatora. Aby nie przeciążać dmuchawy ani silnika, prędkości nie można ustawić na wyższą niż prędkość, dla której dmuchawa została zaprojektowana. Modyfikowanie osprzętu elektrycznego w celu zwiększenia maksymalnej prędkości dmuchawy jest zabronione. Urządzenie CUB zostało zaprojektowane w taki sposób, aby uniemożliwić kontaktu z obracającymi się częściami podczas normalnej pracy.

Należy jednak pamiętać, że jeśli osłony zostaną zdjęte i CUB zostanie uruchomiony, istnieje ryzyko obrażeń ciała.

Jeśli urządzenie CUB jest wyposażone w zewnętrzny młynek, należy zapoznać się z jego instrukcją obsługi dotyczącą bezpieczeństwa i instalacji.

Wszystkie połączenia rur w odległości co najmniej 850 mm przed i za młynkiem muszą być wykonane za pomocą zacisków śrubowych, dlatego do demontażu i uzyskania dostępu do wirnika młynka należy użyć narzędzi.

Główny wyłącznik CUB nie odłącza silnika zewnętrznego młynka i innych akcesoriów, dlatego do młynka potrzebny jest oddzielny wyłącznik bezpieczeństwa.

Symbole ostrzegawcze:

Unikać wypadków, zawsze stosując się do wskazówek dotyczących bezpieczeństwa podanych w instrukcji oraz na dmuchawie.

Na dmuchawie umieszczono etykiety ostrzegawcze z symbolami bez tekstu. Znaczenie symboli wyjaśniono poniżej. W przypadku uszkodzenia lub nieczytelności etykiety ostrzegawczej należy ją wymienić. Nowe etykiety są dostępne w wykazie części zamiennych.



Uważnie przeczytać instrukcję obsługi i zwracać uwagę na ostrzeżenia znajdujące się w instrukcji obsługi oraz na urządzeniu do przetwarzania ścinków.



Przed przystąpieniem do naprawy lub konserwacji zawsze odłączać zasilanie urządzenia do przetwarzania ścinków i zabezpieczać przed przypadkowym uruchomieniem.



Nigdy nie wkładać rąk do wylotu działającego urządzenia do przetwarzania ścinków.

Montaż:

Urządzenie do przetwarzania ścinków jest dostarczane z zakładu produkcyjnego jako gotowe do użytku. Wymaga jedynie podłączenia do zasilania elektrycznego, sprężonego powietrza, orurowania na wlocie dmuchawy oraz założenia worków.

Jeżeli wymagane jest przeniesienie urządzenia do przetwarzania ścinków, należy użyć wózka widłowego, podnośnika do palet lub podobnego urządzenia w celu podniesienia urządzenia do przetwarzania ścinków, podpierając je pod ramą dolną i w miejscu montażu filtrów (po stronie przeciwnej do wylotu materiału).

Długość widel powinna wynosić co najmniej 1.100 mm. Istotne znaczenie ma wypoziomowanie urządzenia do przetwarzania ścinków. W przeciwnym razie drzwi nie będą zamykać się prawidłowo. Regulację można wykonywać za pomocą 4 śrub pod ramą dolną urządzenia do przetwarzania ścinków.

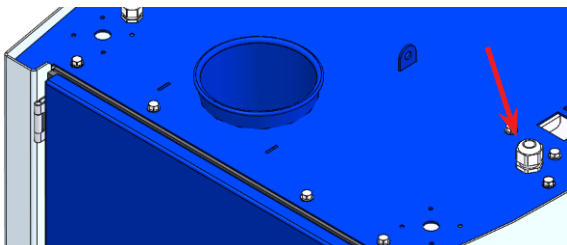
Masa — patrz tylna okładka instrukcji.

Instalacja elektryczna:

Zasilanie elektryczne musi zostać podłączone przez uprawnionego elektryka. Cała instalacja elektryczna musi zostać wykonana zgodnie z obowiązującymi przepisami lokalnymi. Sprawdzić, czy zasilanie elektryczne w zakładzie jest zgodne ze specyfikacjami urządzenia do przetwarzania ścinków.

Podczas podłączania urządzenia do przetwarzania ścinków wykonać następujące czynności:

1. Doprowadzić przewód zasilania do urządzenia do przetwarzania ścinków.
2. Otwórz drzwiczki i pokrywę elementów sterujących z przodu.
3. Wprowadzić przewód zasilania od góry urządzenia

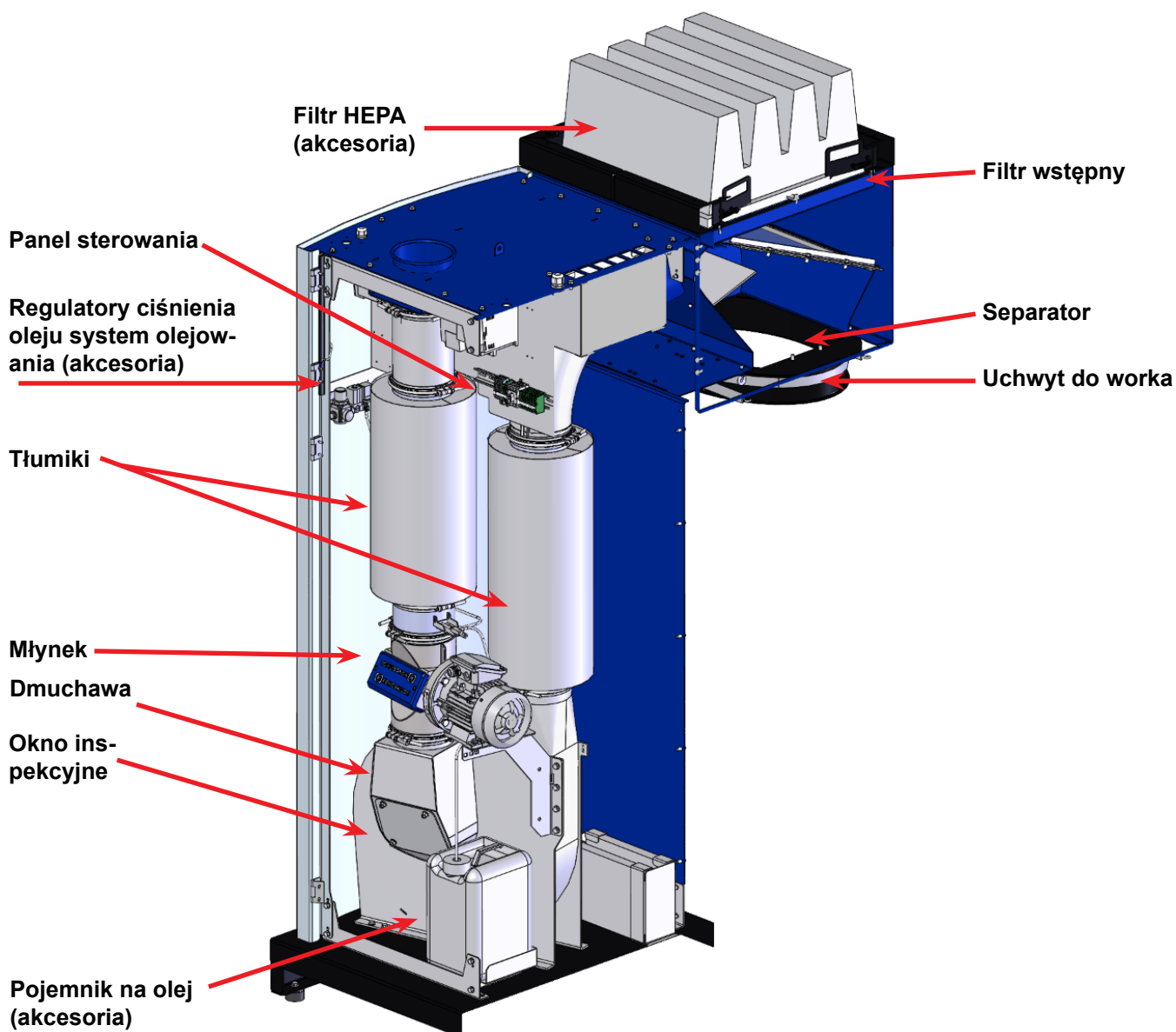


- do przetwarzania ścinków przez dławik kablowy.
4. Podłączyć przewód do listwy zaciskowej.
 5. Dokręć odciążenie kabla na górze CUB. W razie potrzeby kabel można dodatkowo odciążyć za po-

- mocą opaski kablowej w szynie T po prawej stronie głównego przełącznika.
6. Założyć pokrywę na układ sterowania i zamknąć drzwi.

Bezpiecznik: 16A - 3x400V 50Hz

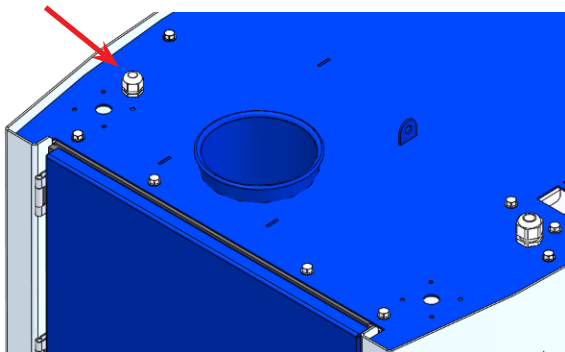
Jeśli wymagany jest przełącznik różnicowoprądowy HPFI na zasilaniu jednostki centralnej, musi to być przełącznik typu B 300 mA, ponieważ sterowanie zawiera wbudowane napędy prądu przemiennego.



Rozłącznik obwodu dla sterownika panelu operatora

Sterownik i panel operatora są zasilane prądem stałym o napięciu 24 V. Zasilanie to jest zabezpieczone rozłącznikiem obwodu, który w momencie dostawy jest włączony, ale może się wyłączyć w przypadku przeciążenia.

Podłączenie sprężonego powietrza odbywa się poprzez poprowadzenie węża sprężonego powietrza $\text{Ø}8$ mm przez odciążenie kabla u góry i podłączenie węża do układu olejowania (akcesoria).



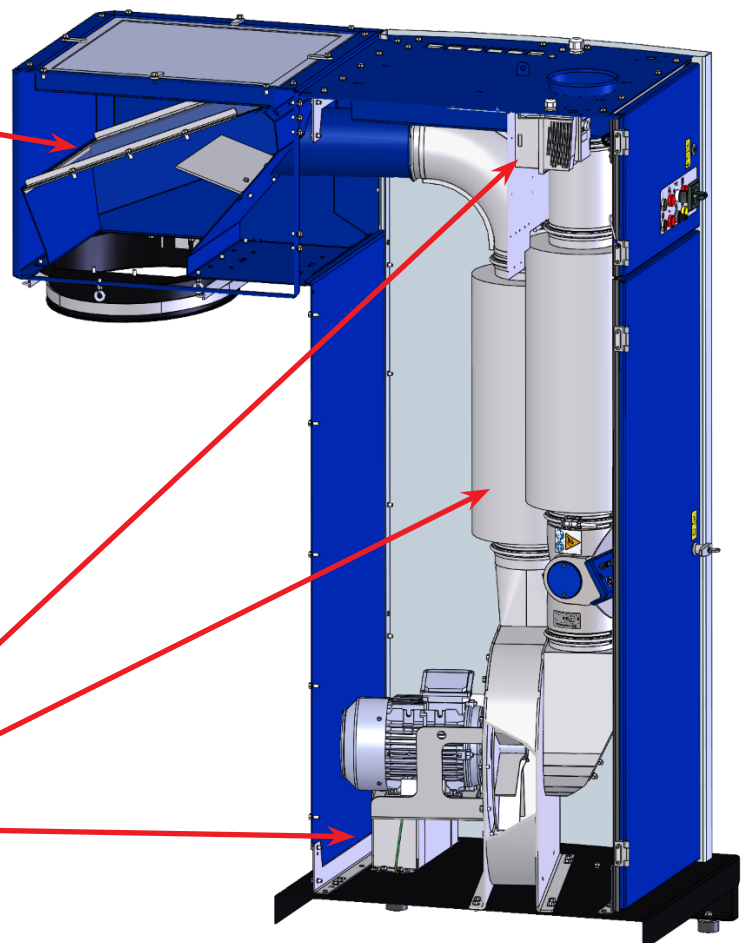
Kolumna sygnalizacyjna czujnika poziomu (akcesorium)

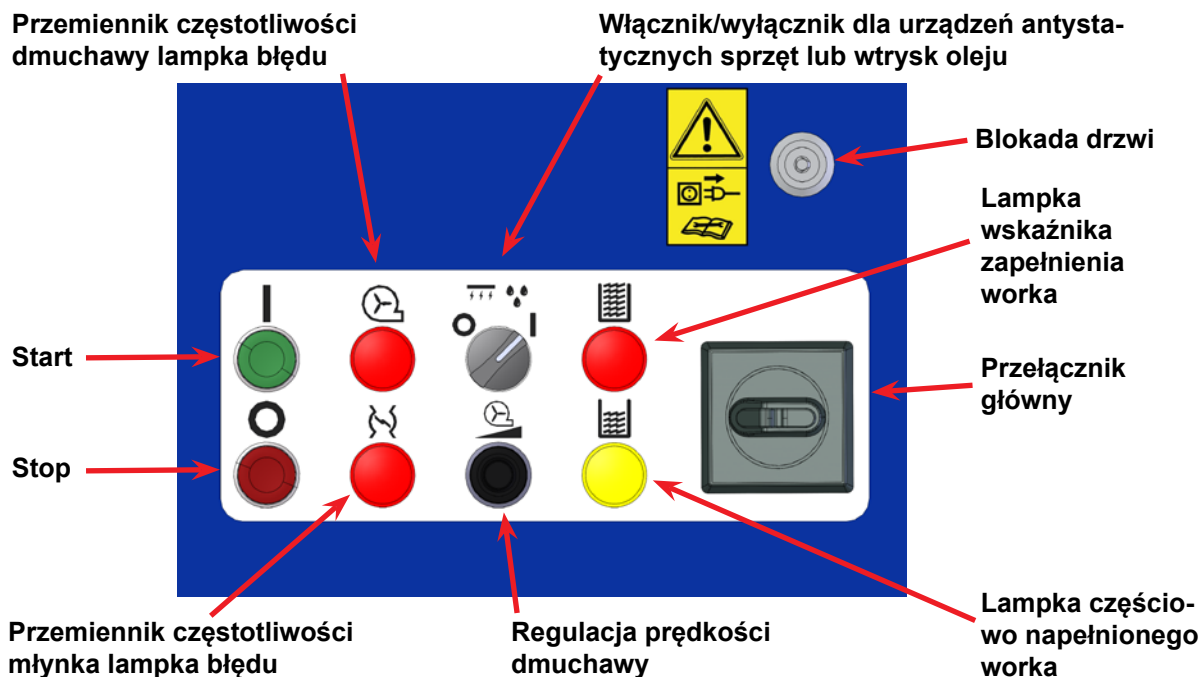
Czujnik poziomu do wykrywania zapelnienia worka (akcesorium)



Siatka separatora

Tłumiki





Działanie:

Start

Przełącznik główny - ustawiony na On / I

Zielony przełącznik startu - jest wciśnięty, aby uruchomić CUB. Dmuchawa i młynek pracują. Podczas pracy przycisk świeci się na zielono.

Regulacja prędkości dmuchawy

Po uruchomieniu CUB prędkość dmuchawy jest regulowana w górę, aż zasysanie materiału będzie wystarczające. Następnie należy zmniejszyć prędkość dmuchawy, aż zasysanie spadnie poniżej akceptowalnego poziomu, a następnie nieznacznie zwiększyć prędkość dmuchawy, aż zasysanie materiału znów będzie optymalne.

Stop

Czerwony wyłącznik zatrzymania - naciśnięcie powoduje zatrzymanie CUB. Dmuchawa i młynek zatrzymują się.

Kontrolka błędu przeмиennika częstotliwości

Świeci się na czerwono po włączeniu głównego wyłącznika, jeśli układ sterowania wykryje błąd przeмиennika częstotliwości dmuchawy. W razie potrzeby patrz rozdział "Rozwiązywanie problemów". Urządzenia CUB nie można uruchomić, a na kolumnie sygnalizacyjnej zaświeci się czerwona lampka.

Kontrolka błędu przeмиennika częstotliwości

Świeci się na czerwono po włączeniu głównego wyłącznika, jeśli układ sterowania wykryje błąd przeмиennika częstotliwości dmuchawy. W razie potrzeby patrz rozdział "Rozwiązywanie problemów". Urządzenia

CUB nie można uruchomić, a na kolumnie sygnalizacyjnej zaświeci się czerwona lampka.

Włącznik/wyłącznik urządzeń antystatycznych lub wtrysku oleju (akcesoria)

Ustaw przełącznik w pozycji On, aby włączyć sprzęt antystatyczny w separatorze lub smarowanie olejem.

Lampka częściowo napełnionego worka (akcesoria)

Włącza się i świeci na żółto, gdy worek z materiałem jest wypełniony w około 80%. Jeśli urządzenie CUB zostanie wyłączone wyłącznikiem głównym i włączone ponownie, lampka kontrolna zaświeci się natychmiast do momentu wymiany worka. Worek z materiałem należy wymienić jak najszybciej, a najpóźniej przed zapaleniem się czerwonej lampki kontrolnej. Lampkę uzupełnia żółta lampka w sygnalizatorze świetlnym na górze CUB.

Lampka wskaźnika zapelnienia worka (akcesoria)

Włącza się i świeci na czerwono, gdy worek z materiałem jest całkowicie napełniony. CUB zatrzymuje się, aby uniknąć marnowania materiału. Jeśli urządzenie CUB zostanie wyłączone za pomocą głównego przełącznika i włączone ponownie, lampka kontrolna włączy się natychmiast, a urządzenie CUB nie będzie mogło zostać uruchomione do momentu wymiany worka. W układzie sterowania znajduje się zegar, który określa czas od momentu wykrycia pełnego worka przez czujnik poziomu do zapalenia się czerwonego wskaźnika i zatrzymania CUB. Kontrolkę uzupełnia czerwona lampka w sygnalizatorze świetlnym na górze CUB.

Zakładanie/wymiana worka

Najłatwiejszym sposobem montażu worka jest poprowadzenie go obiema rękami wokół wylotu separatora, a następnie odcięcie gumowego paska od jednego ucha, przełożenie go wokół wylotu i zaczepienie o drugie ucho. Czynność należy powtórzyć z drugim mocowaniem worka.

Podczas wymiany worków przy pracującej dmuchawie należy nosić okulary ochronne, patrz rozdział "Uwagi ostrzegawcze".

Gdy worek na odpad jest pełny, wykonaj następujące czynności:

- Zatrzymaj CUB na przełączniku start/stop
- Poluzuj gumowy pasek i zaczep go o oczka
- Zawiąż worek np. opaską zaciskową
- Załóż nowy worek
- Uruchom CUB za pomocą przełącznika start/stop

Korzystne jest użycie worka rozwijanego, co przyspieszy usuwanie napełnionego worka, a tym samym nie przerwie zasysania materiału dłużej niż to konieczne. Patrz rozdział "Akcesoria".

Zarówno worek, jak i filtr powinny być regularnie sprawdzane, w zależności od materiału i tego, czy zamontowany jest sprzęt antystatyczny lub system olejowania.

Worki można nabyć w firmie Kongskilde pod następującymi numerami katalogowymi:

Nr części	Typ
100 203 149	Worek na materiał 900 litrów (10 szt.)
100 203 167	Worek materiałowy rozwijany (1 szt.)

Czyszczenie i wymiana filtrów - patrz rozdział "Serwis i konserwacja".

Klamka drzwi powinna być zablokowana, a klucz wyjęty podczas normalnej pracy, aby zapobiec nieautoryzowanemu dostępowi do wewnętrznych komponentów.

Akcesoria:

Uchwyt worka ciągłego

Uchwyt worka składa się z pierścienia, który jest zamontowany pod wylotem materiału, kosza, który utrzymuje worek, i uchwyty, który podnosi kosz między pozycją otwartą i zamkniętą.

Uchwyt worka ciągłego jest zamontowany pod separatorem i w tylnej płycie szafki. Materiał jest umieszczany w worku, a gdy worek jest pełny, należy wykonać następujące czynności:

- Zatrzymać CUB na przełączniku start/stop
- Lekko pociągnąć worek w dół i zawiązać go np. dwoma opaskami kablowymi zamontowanymi w odległości ok. 5 cm.
- Przeciąć worek między dwoma opaskami kablowymi i pociągnąć pusty worek na podłogę
- Uruchomić CUB za pomocą przełącznika start/stop

Uwaga - Nie zdejmuj opasek kablowych z worka przed umieszczeniem go w uchwycie worka, w przeciwnym razie istnieje ryzyko, że worek ześlizgnie się i będzie trudny do przymocowania.

Filtr HEPA

Filtr jest zamontowany na górze separatora i uzupełnia standardowo zamontowany filtr wstępny (F7). Filtr HEPA zapewnia, że powietrze wylotowe z CUB jest oczyszczone z resztek materiału i pyłu oraz umożliwia wylot bezpośrednio do pomieszczenia produkcyjnego, w zależności od lokalnych wymagań dotyczących jakości powietrza. Filtr jest utrzymywany na miejscu przez 4 dołączone stalowe szyny (4 wsporniki przytrzymujące filtr wstępny są usuwane przed instalacją).

Czujnik poziomy do wykrywania zapełnienia worka

Czujnik wykrywa, kiedy worek jest prawie pełny lub już pełny. Sygnał uruchamia lampę sygnalizacyjną na górze urządzenia CUB zgodnie z następującymi oznaczeniami kolorystycznymi:

- Czerwony = Worek jest całkowicie pełny, a urządzenie CUB zatrzymało się
- Żółty = Worek jest zapełniony w około 80% lub więcej
- Zielony = Urządzenie CUB działa normalnie

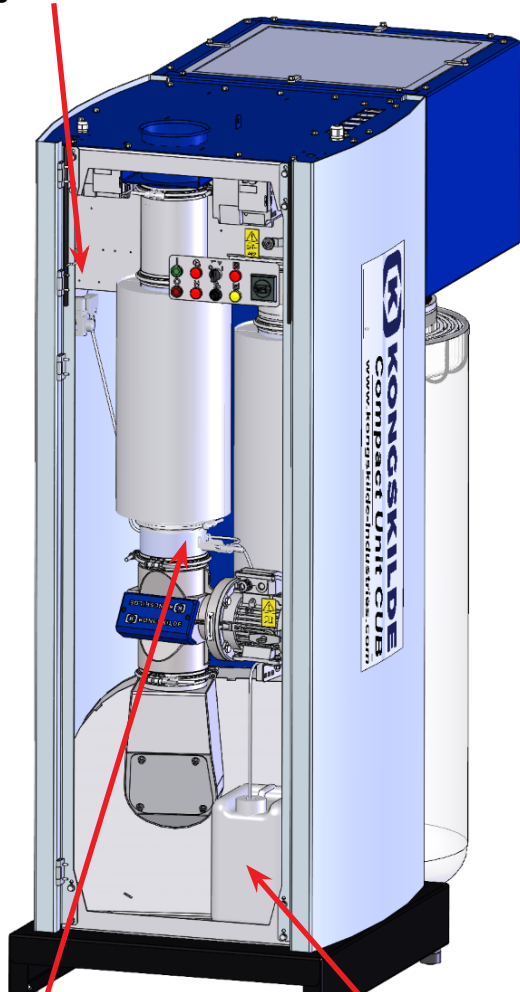
Czujnik montuje się na dostarczonym wsporniku pod separatorem i podłącza do jednostki sterującej urządzenia CUB zgodnie z załączoną instrukcją. Położenie czujnika można regulować na wsporniku.

Uwaga – w przypadku awarii falownika dmuchawy lub noża zapali się również czerwona dioda, a urządzenie CUB zatrzyma się.

System olejowania

System składa się ze zbiornika oleju, dyszy wtryskowej, regulatora ciśnienia i wyłącznika czasowego. System olejowy dodaje pewną ilość oleju do rurociągu przez regulowaną dyszę przed młynkiem. Olej jest dalej rozpylany w urządzeniu tnącym, co smaruje dmuchawę i separator. Zapobiega to blokowaniu CUB przez lepkie/przylepne materiały. System jest zasilany sprężonym powietrzem i napięciem 24VDC oraz zawiera zintegrowany pojemnik o pojemności 10 litrów. Możliwe jest dostosowanie ilości oleju na dyszy i w sterowniku, w zależności od potrzeb (lepkość materiału, ilość transportowanego materiału i lepkość oleju).

Regulator ciśnienia



Dysza wtryskowa

10 litrów
zbiornika
oleju

Zalecane ustawienia:

- Dysza wtryskowa jest ustawiona na 1 obrót od 0 (można ustawić w zakresie od 0 do 10 obrotów)
- Licznik czasu jest ustawiony na wtrysk oleju przez 50% czasu (można ustawić w zakresie 0 - 100%)
- Regulator ciśnienia jest ustawiony na 2,5 bara (regulacja między 0,5 - 2,5 bar)

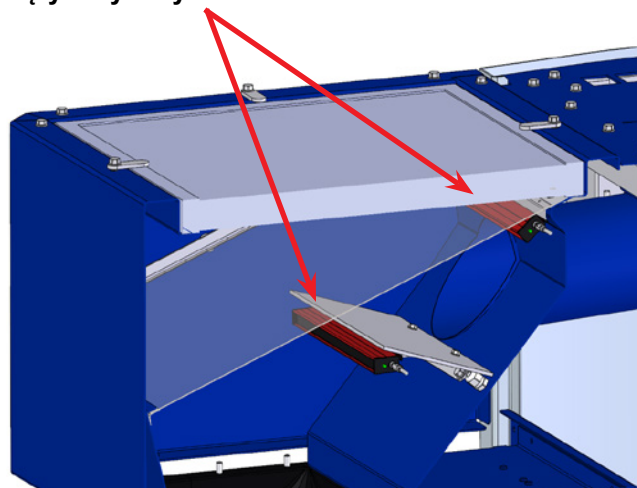
Jeśli chcesz sprawdzić ilość wtryskiwanego oleju, najprostszym sposobem jest odłączenie węża ssącego od zbiornika oleju i umieszczenie węża w małym otwartym pojemniku z olejem. W ten sposób można sprawdzić, ile oleju zostało wchłonięte, np. w ciągu 5 minut. Sprzęt można włączać/wyłączać na panelu operatora.

Sprzęt antystatyczny

Urządzenie jest zamontowane w górnej części separatora, co zapobiega przywieraniu materiału do sita separatora i górnej części worka. Następnie poprzez działanie antystatyczne materiał spada w dół worka.

Urządzenie jest dostarczane w komplecie z antystatycznymi listwami, wspornikiem i przewodami. Sprzęt można włączać/wyłączać na panelu operatora. Uwaga - jeśli problemy z elektrycznością statyczną wystąpią przed separatorem CUB, należy je rozwiązać za pomocą urządzeń antystatycznych zamontowanych na ciągu rurowym bezpośrednio za punktem, w którym spotykają się rury odbierające materiał.

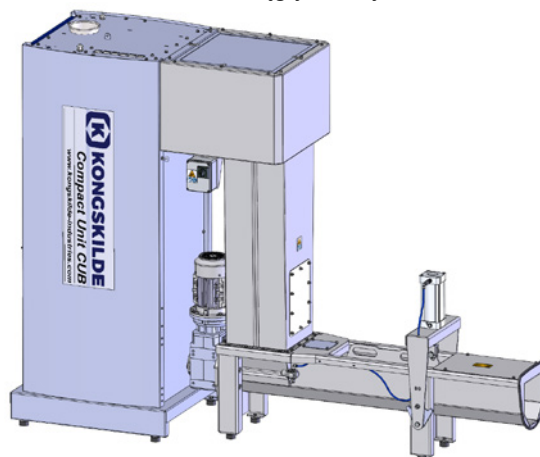
Pręty antystatyczne



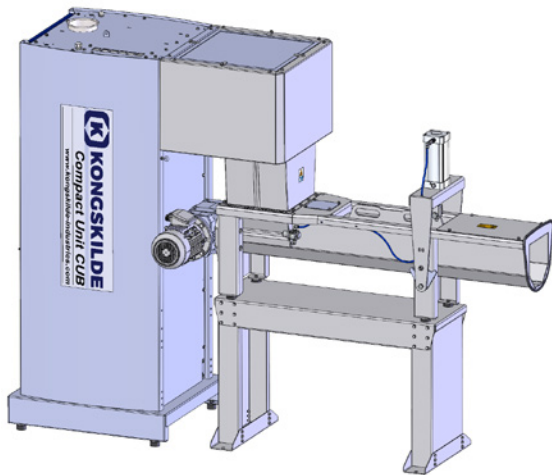
Zagęszczarka (Waste Screw Compactor)

Produkt jest zagęszczarką zawierającym ślimak zamontowany w korycie. Ślimak jest napędzany przez motoreduktor, a na końcu ślimaka dostarczany materiał jest prasowany. Zagęszczarka może zagęszczać pocięte paski papieru, plastiku i folii metalowej i jest montowany pod separatorem na CUB. Zagęszczarka może również obsługiwać folie naładowane statycznie i materiały klejące, jeśli zamontowane jest smarowanie olejowe (zagęszczarka musi jednak być wersją przeznaczoną do materiałów klejących).

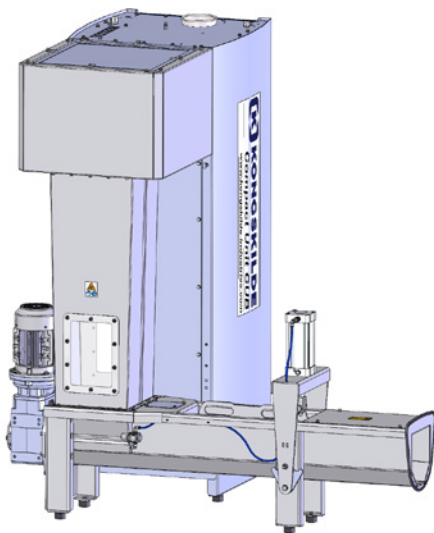
Zagęszczarka jest dostępny w dwóch wersjach, odpowiednio do montażu na podłodze lub na stojaku. Zagęszczarka umieszczony na podłodze, na którym można umieścić worek ciągiły na wylocie materiału.



Zagęszczarkę umieszczony na stojaku, na którym można umieścić pojemnik lub podobny element przy wylocie materiału.



Zagęszczarkę można zamontować w przedłużeniu CUB lub pod kątem prostym do CUB, po obu stronach (patrz szkic wymiarowy na końcu instrukcji obsługi zagęszczarki).



Serwis i konserwacja:

Wszelkie czynności serwisowe, konserwacyjne i naprawy muszą być wykonywane przez wykwalifikowane lub przeszkolone osoby.

Przed przystąpieniem do naprawy i konserwacji należy zawsze odłączyć zasilanie i sprężone powietrze (jeśli jest zainstalowane) od CUB i zablokować główny wyłącznik, aby uniemożliwić przypadkowe uruchomienie CUB.

Należy corocznie sprawdzać połączenia przewodów pod kątem zamocowania i izolacji, w tym uziemienie. Łożyska silnika są fabrycznie nasmarowane i nie wymagają dodatkowego olejowania. Upewnij się, że powietrze chłodzące zawsze ma swobodny dostęp do silników. Wirnik dmuchawy jest zamontowany bezpośrednio na wale silnika, dlatego w samej dmuchawie nie ma łożysk.

Wirnik i obudowa dmuchawy muszą być regularnie sprawdzane pod kątem pęknięć, rys i zużycia, najłatwiej przez okno inspekcyjne i rurę wylotową materiału. Praca z dmuchawą jest niebezpieczna, jeśli wirnik i/lub obudowa dmuchawy są zużyte lub uszkodzone. Ponadto praca ze zużytym wirnikiem skraca żywotność łożysk silnika. Dodatkowo należy sprawdzić, czy nie nagromadziła się warstwa materiału, która mogłaby spowodować niewyważenie wirnika i zmniejszyć wydajność dmuchawy. Podczas czyszczenia materiału należy to zrobić dokładnie i równomiernie, aby nie doszło do dalszego niewyważenia wirnika.

Filtry

Gdy filtry wstępny i HEPA ulegną zatkaniu, worek będzie coraz bardziej nadmuchiwany, a zasysanie materiału będzie słabsze (patrz sekcja "Obsługa"). Filtry należy wymienić lub ewentualnie wyczyścić sprężonym powietrzem. Poluzuj filtr wstępny, obracając 4 wsporniki w górnej części separatora. Jeśli CUB jest wyposażony w filtr HEPA, należy go najpierw wyjąć, odkręcając 4 szyny.

Filtry można zakupić w Kongskilde pod następującymi numerami katalogowymi:

Nr części	Typ
100 203 147	Górny filtr HEPA (1 szt.)
100 203 148	Dolny filtr wstępny (1 szt.)

Młyneczek

Należy regularnie sprawdzać, czy młyneczek tnie w zadowalający sposób. Jest to bardzo zależne od materiału i jego ilości podczas regulacji / ostrzenia ostrzy.

Rozwiązywanie problemów:

Usterka	Przyczyna	Środki zaradcze
Niedostateczne zasysanie materiału	<p>Worek na odpad wypełniona materiałem. Jeśli CUB jest wyposażony w czujnik poziomu (akcesoria), zaświeci się czerwony wskaźnik - patrz sekcja "Obsługa".</p> <p>Niedrożny filtr wstępny i/lub główny.</p> <p>Zbyt niska ustawiona prędkość dmuchawy.</p> <p>Podawanie zbyt dużej ilości materiału.</p> <p>System olejowania (akcesoria) nie działa prawidłowo (w przypadku materiałów lepkich).</p> <p>Sprzęt antystatyczny (akcesoria) nie działa prawidłowo (w przypadku materiałów elektrostatycznych).</p>	<p>Wymień worek. Jeśli to konieczne, przed ponownym uruchomieniem należy również opróżnić CUB z materiału.</p> <p>Wyczyść lub wymień filtry, patrz sekcja "Serwis i konserwacja".</p> <p>Zwiększyć prędkość dmuchawy.</p> <p>Zmniejszyć ilość materiału.</p> <p>Sprawdź układ olejowania. Jeśli to konieczne, CUB musi zostać opróżniony z materiału przed ponownym uruchomieniem.</p> <p>Sprawdź sprzęt antystatyczny. Jeśli to konieczne, CUB musi zostać opróżniony z materiału przed ponownym uruchomieniem</p>
Niewystarczająco przycięty materiał	Noże do cięcia zużyte	Ostrzenie lub wymiana noży tnących
Urządzenie do przetwarzania ścinków nie działa.	<p>Brak napięcia zasilania (np. przepalenie bezpiecznika).</p> <p>Uszkodzenie silnika dmuchawy lub młynka.</p> <p>Uszkodzenie przemiennika częstotliwości lub innych podzespołów elektrycznych. Sprawdź kontrolkę usterki przemiennika częstotliwości na przemienniku częstotliwości - patrz sekcja "Obsługa".</p> <p>Nadmierny spadek napięcia zasilania.</p> <p>Blokada noża przez materiał (brak obrotu) – zaświeci się lampka sygnalizująca awarię falownika.</p>	<p>Podłączyć napięcie zasilania.</p> <p>Wymienić silnik.</p> <p>Wymienić komponenty.</p> <p>Wymień przewody elektryczne na takie o większym przekroju lub zlokalizuj inną przyczynę spadku napięcia. Zamień dwie fazy na kablu zasilającym przy wyłączniku głównym.</p> <p>Wyłącz i zablokuj wyłącznik główny, usuń blokadę w młynku, dmuchawie itp. i w razie potrzeby zmień materiał na inny</p>

Torba materiałowa nieprawidłowo rozszerzona	Zbyt wysokie ciśnienie w worku z powodu zatkanego filtra wstępnego lub sita	Sprawdź filtr wstępny (i ewentualnie filtr HEPA) wyczyść lub wymień w razie potrzeby. Jeśli to nie pomoże, należy sprawdzić/wyczyścić sito w separatorze. Jeśli CUB jest wyposażony w listwy antystatyczne, można to sprawdzić za pomocą diody LED na końcu listwy. Jeśli dioda nie świeci, listwa jest uszkodzona. Jeśli dioda LED miga, listwę należy wyczyścić
---	---	---

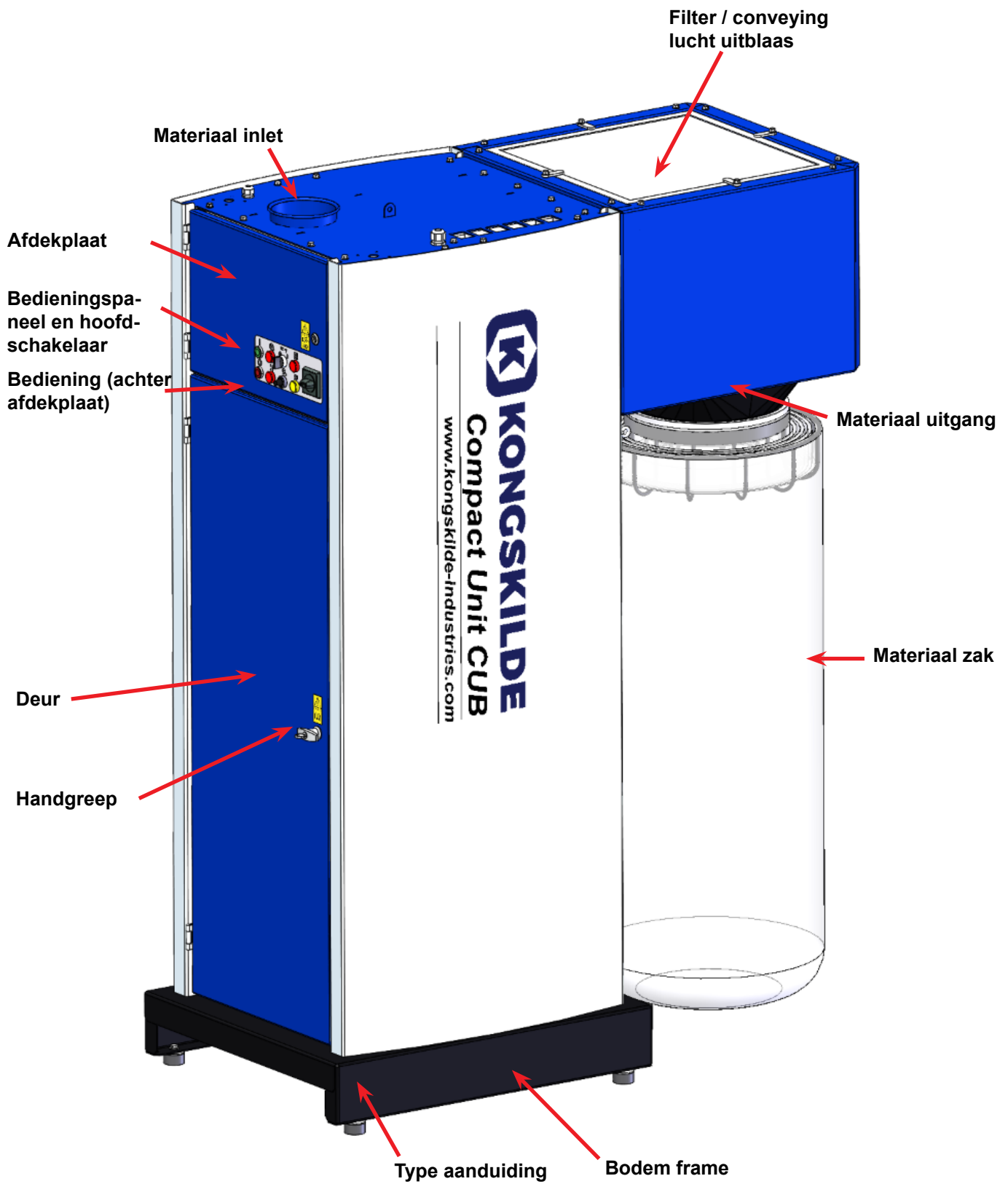
W razie wątpliwości skontaktować się z wykwalifikowanym technikiem serwisowym lub działem serwisowym Kongskilde.

Dane techniczne:

Maks. ustawienie ciśnienia statycznego	4.750 Pa
Grubość materiału	40 - 300 µm
Moc dmuchawy CUB 1620	2,2 kW
Moc dmuchawy CUB 1640	4 kW
Silnik młynka	0,75 kW / 1.500 obr./min
Zasilanie elektryczne CE	3 x 400V - 50Hz - 16A
Zasilanie elektryczne UL/CSA	3 x 460V - 60Hz - 16A
Zasilanie sprężonym powietrzem (przy 175 l/min)	Min. 2,5 bar – maks. 8 bar
Masa	400 kg
Wysokość x szerokość x długość	2.150 x 800 x 1.570 mm
Złącze rurowe na wlocie	OK 160
Filtr wstępny	Panel filtrujący F7
Filtr główny	Filtr kasetowy HEPA H14*
Poziom ciśnienia akustycznego Lp (w odl. 1 metra)	Maks. 80 dBA**

*: Lub podobny

** : Poziom ciśnienia akustycznego nie obejmuje materiału i należy spodziewać się wyższych poziomów, gdy CUB obsługuje materiał.



NL

Deze handleiding is van toepassing op de Kongskilde Compact Unit CUB. De doelgroep voor deze handleiding zijn operators, (elektro)installateurs en onderhouds- en servicepersoneel.

Omschrijving:

Het product is een alles-in-één-unit, bestaande uit een cutter, een blazer en een separator, ontworpen om gesneden stroken papier en plastic/metaalfolie op te zuigen en de stroken te snijden. CUB kan ook lijm of statisch geladen films verwerken als oliesmering of antistatische apparatuur is geïnstalleerd. Beide kunnen echter niet gecombineerd worden omdat de olie het effect van de antistatische apparatuur beperkt. Aanbevolen materiaaldikte is 40 - 300 µm. Het gesneden materiaal wordt door de separator uitgeblazen en valt vervolgens in de zak. De zakken kunnen uit één stuk bestaan of uit een eindeloze zak die in een houder is gemonteerd (accessoire). Daarnaast kan een schroefcompactor (Waste Screw Compactor) worden aangeschaft voor montage onder de separator, die het materiaal zal comprimeren en het naar een eindeloze zak of een container of een dergelijke opvangmogelijkheid zal leiden.

De transportlucht wordt gezuiverd in een ingebouwd filter en uit de CUB gestuurd. Een HEPA-filter kan achteraf worden aangebracht (accessoire), waardoor het mogelijk is om rechtstreeks in de productieruimte af te zuigen, afhankelijk van de lokale vereisten voor luchtkwaliteit.

De CUB is ontworpen om eenvoudig te worden verplaatst met een palletheffer of vorkheftruck en kan eenvoudig worden aangesloten op de leidingen met een snelklem aan de bovenkant van de CUB. De bediening van de CUB vindt plaats aan de voorkant, waar deze kan worden gestart en gestopt en de blowersnelheid kan worden aangepast. Aan de achterkant wordt de materiaalzak verwisseld.

De CUB is niet ontworpen voor vochtige of harde materialen.

De CUB is leverbaar met geïntegreerde cutter en/of externe cutter.

Waarschuwing:

Voorkom ongelukken door altijd de veiligheidsvoorschriften in de gebruikershandleiding en op de CUB te volgen. De CUB moet in een gesloten leidingsysteem worden gemonteerd, zonder toegang voor mensen tot bewegende delen. Er is een risico op schade aan de CUB als vreemde voorwerpen in het leidingsysteem worden gezogen/vallen. Gebrek aan toezicht op de

CUB kan leiden tot slijtage van vitale onderdelen, zie hoofdstuk "Service en onderhoud".

De installatie en bevestiging moeten volgens de voorschriften worden uitgevoerd (zie hoofdstuk "Installatie"), anders zal de stabiliteit afnemen en slijtage kunnen toenemen.

Zorg ervoor dat alle panelen en deuren op hun plaats zitten en goed vastzitten/gesloten zijn tijdens gebruik. **Koppel altijd de stroom en perslucht naar de CUB los vóór reparatie en onderhoud. De hoofdschakelaar moet worden uitgeschakeld en vergrendeld om te voorkomen (bijvoorbeeld met een hangslot), dat de CUB per ongeluk wordt gestart.**

Wees voorzichtig bij het onderhouden van de cutter of blazer - de messen van de cutter zijn erg scherp en mogen alleen met handschoenen worden gehanteerd. Start de blower ook nooit als het luik boven de blower is verwijderd. Zorg dat er veilige toegangswegen zijn die kunnen worden gebruikt voor reparatie en onderhoud van de CUB. Het werkgebied rond de CUB moet vrij en struikelvrij zijn, zodat er geen risico is op vallen/struikelen.

Zorg voor voldoende lichthoeveelheid voor een veilige bediening van de CUB.

Pas op uw vingers voor snij gevaar en beknelling bij het verwisselen van de zakken.

Let op oogletsel. Als er kleine deeltjes in het te transporteren materiaal zitten, kunnen deze samen met de transportlucht door de separator worden geblazen. Draag altijd een veiligheidsbril in de buurt van de separator bij oa. het verwisselen van de zakken en vermijd hoofdletsel aan de rand van de zakhouders.

Als CUB is uitgerust met een oliesmeersysteem voor gebruik met kleeffolies, moet u voorzichtig zijn bij het hanteren van het oliesysteem. Als er olie op uw huid komt, reinig deze dan grondig met water en zeep. Spoel bij olie in de ogen grondig met water en zoek medische hulp bij irritatie. Bovendien moet u een veiligheidsbril dragen bij het hanteren van de olie en bij het verwisselen van containers of andere gerelateerde werkzaamheden.

Als er abnormale trillingen of geluid wordt waargenomen, moet de CUB onmiddellijk worden gestopt en moet de oorzaak worden onderzocht. Als er enige twijfel is, zoek dan gekwalificeerde hulp voor mogelijke reparatie en onderhoud.

Zorg ervoor dat de CUB op een stabiele, vlakke ondergrond staat, zodat deze is beveiligd tegen vallen en kantelen.

Let op dat uw vingers of handen niet bekneld raken bij het openen of sluiten van de deuren. De blowersnelheid van de CUB kan traploos worden ingesteld met

behelp van het bedieningspaneel. Om de blower en motor niet te overbelasten, kan de snelheid niet hoger worden ingesteld dan waarvoor de blower is ontworpen.

Het is niet toegestaan dat de elektrische apparatuur de maximale snelheid van de ventilator overschrijdt.

De CUB is zo ontworpen dat het niet mogelijk is om in contact te komen met draaiende onderdelen tijdens normale werking. Wees u er echter van bewust dat als de afdekkingen worden verwijderd en de CUB wordt gestart, er risico is op persoonlijk letsel.

Als de CUB is uitgerust met een externe cutter, raadpleeg dan de gebruikershandleiding voor veiligheid en installatie. Alle pijpverbindingen op een afstand van ten minste 850 mm voor en na de cutter moeten worden gemaakt met boutklemverbindingen, waardoor er gereedschap moet worden gebruikt voor demontage en toegang tot de rotor van de cutter. De CUB-hoofdschakelaar schakelt de motor van de externe cutter en andere accessoires niet uit, en daarom is een aparte veiligheidsschakelaar nodig voor de een externe cutter.

Waarschuwingstekens:

Voorkom ongelukken door altijd de veiligheidsinstructies op te volgen die in de handleiding en op de CUB staan.

Waarschuwing labels met symbolen zonder tekst bevinden zich op de CUB. De betekenis van de symbolen wordt hieronder uitgelegd. Als een waarschuwinglabel beschadigd raakt en niet meer leesbaar is, moet het worden vervangen. Nieuwe labels zijn beschikbaar in de reserveonderdelenlijst.



Lees de gebruiksaanwijzing zorgvuldig door en let op de waarschuwingsteksten in de gebruiksaanwijzing en op de CUB.



Schakel altijd de stroom naar de CUB uit voordat u reparaties of onderhoudswerkzaamheden uitvoert en zorg ervoor dat deze niet per ongeluk kan worden gestart.



Steek nooit uw hand in de cutter of blower terwijl de CUB in werking is.

Installatie:

De CUB wordt af fabriek gebruiksklaar geleverd en hoeft alleen te worden aangesloten op de elektriciteitsvoorziening, perslucht en leidingen op de inlaat en zakken te worden gemonteerd. Als de CUB moet worden verplaatst, moet een vorkheftruck, palletwagen of soortgelijk apparaat worden gebruikt om onder het onderste frame van de CUB op te kunnen tillen, aan het uiteinde waar het bedieningspaneel is gemonteerd (tegenover de zakaansluiting). De vorken moeten ongeveer 1.100 mm of meer zijn. Het is belangrijk dat de CUB waterpas staat, anders kunnen de deuren niet goed sluiten. Afstelling kan worden gedaan op de 4 machineschoenen onder het onderste frame van de CUB.

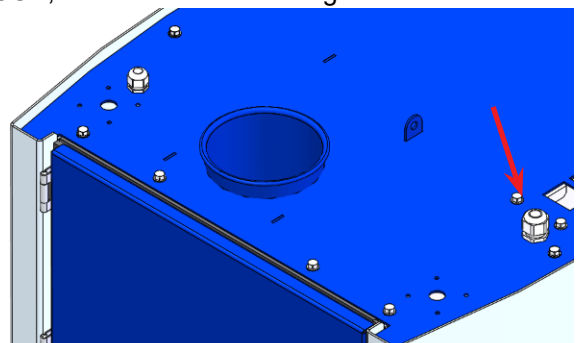
Gewicht; zie achterkant handleiding.

Electrische installatie:

Stroom moet worden aangesloten door een erkende elektrotechnisch installateur. Alle elektrische installaties moeten worden uitgevoerd in overeenstemming met de toepasselijke lokale wetgeving. Controleer of de elektrische voeding op locatie overeenkomt met de specificaties van de CUB.

Aansluiting CUB:

1. De voedingskabel wordt naar de CUB geleid.
2. Open de deur en de bedieningsklep aan de voorkant.
3. Leid de voedingskabel door de bovenkant van de CUB, door de kabelontlasting



4. Verbindt de kabel met de hoofdschakelaar.
5. Draai de kabelontlasting aan de bovenkant van de CUB vast. Indien gewenst kan de kabel verder worden ontlast met een kabelbinder in de T-track rechts van de hoofdschakelaar.
6. Sluit de deur en panelen

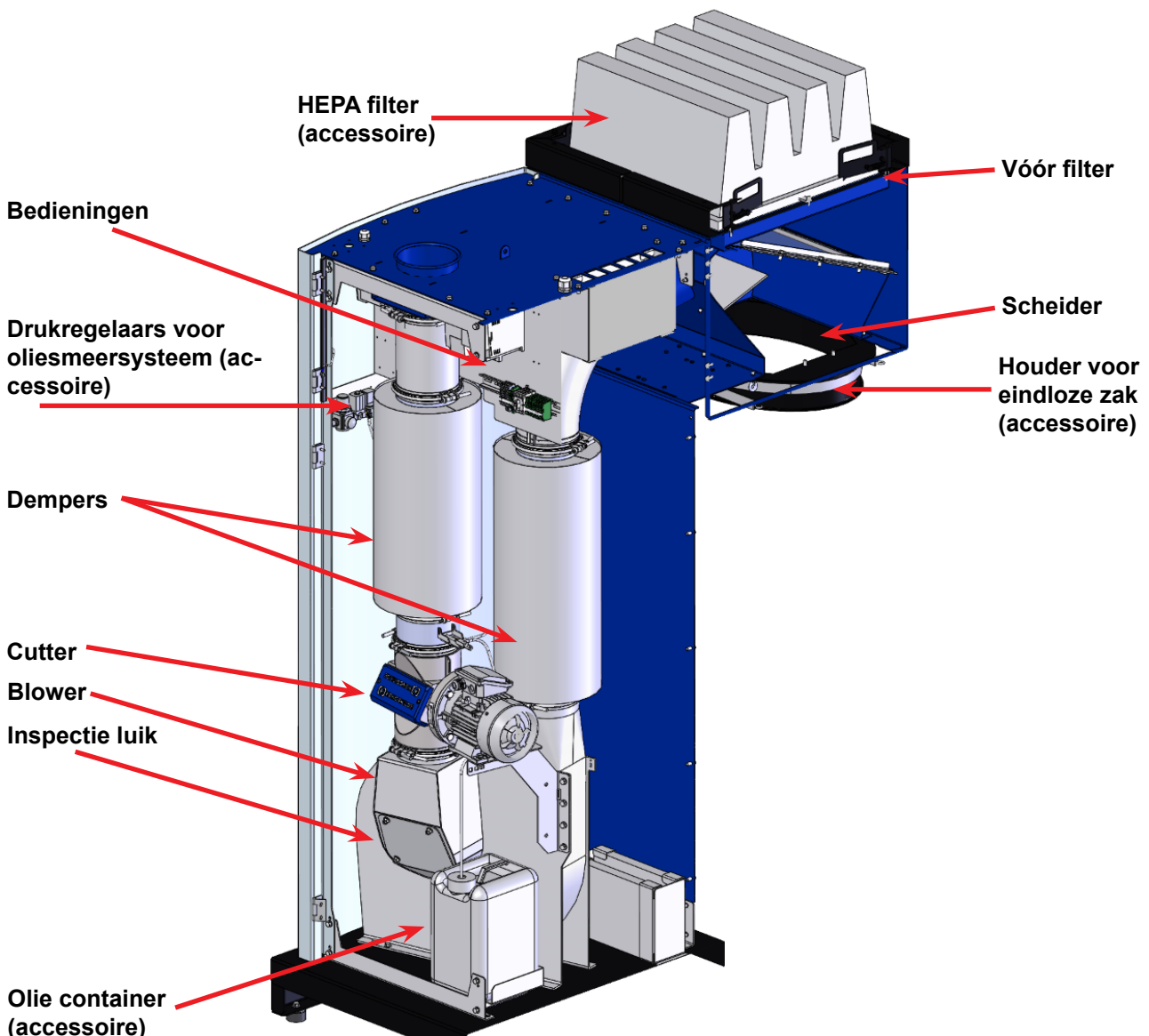
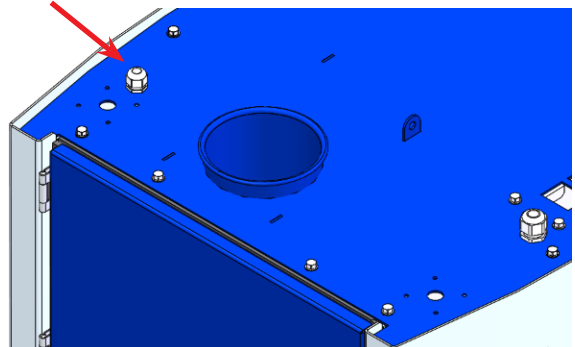
Zekering: 16A - 3x400V 50Hz

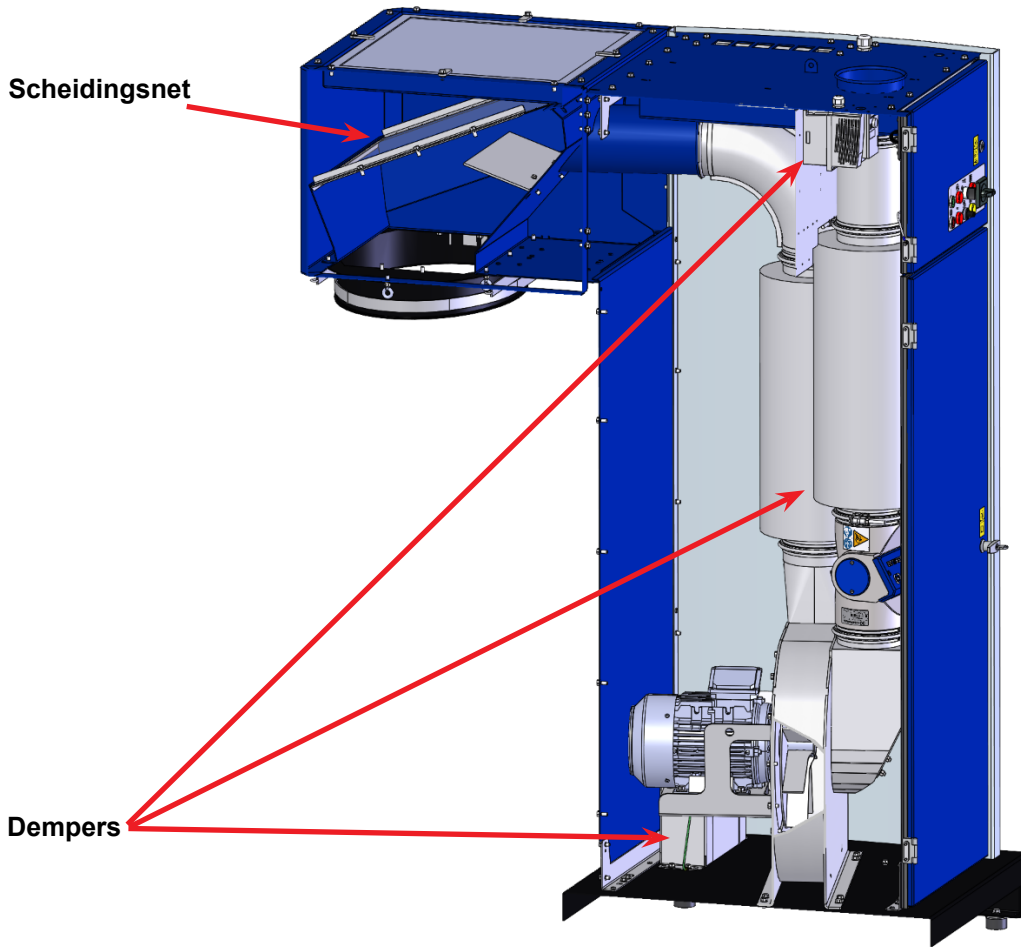
Als er een HPFI-aardlekrelais op de voeding van de CUB nodig is, moet dit een 300mA type B-relais zijn, omdat de besturing ingebouwde frequentieomvormers bevat.

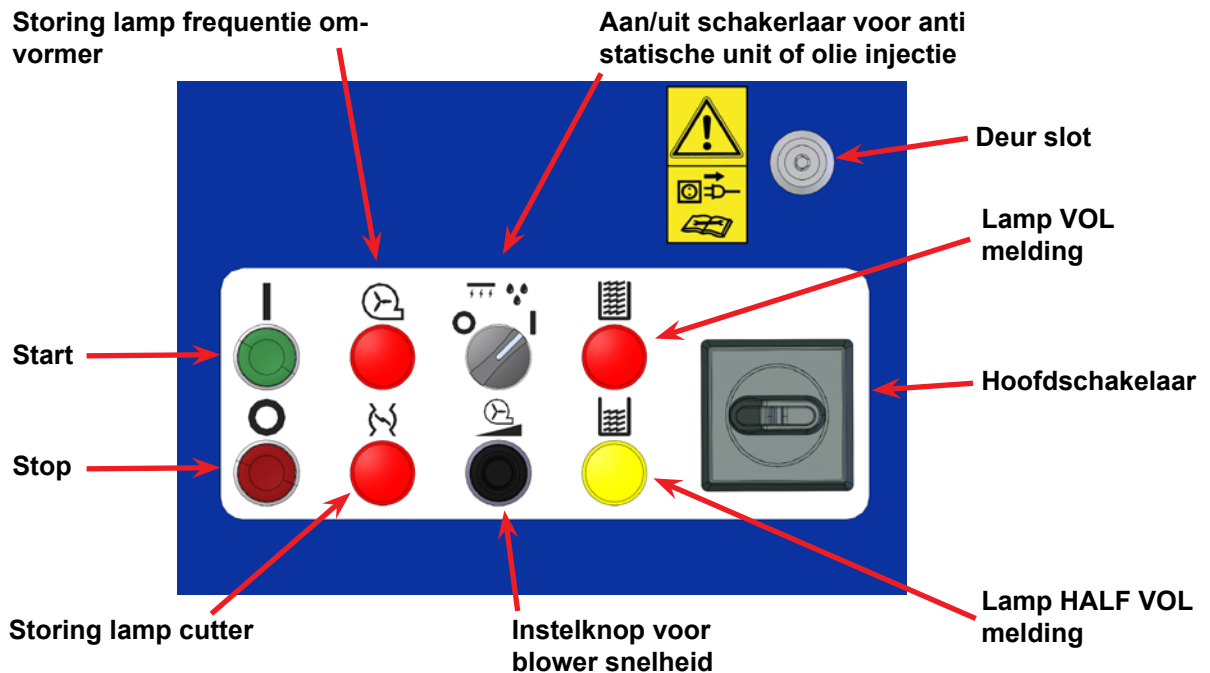
Zekering voor besturing en bedieningspaneel

De besturing en het bedieningspaneel worden gevoed door een 24V DC-voeding. Deze voeding wordt beschermd door een stroomonderbreker die ingescha-

keld wordt geleverd, maar kan trippen in geval van overbelasting. De persluchtaansluiting wordt gemaakt door een persluchtslang van Ø8 mm door de kabelontlasting aan de bovenzijde te leiden en de slang aan te sluiten op het oliesmeersysteem (accessoire).







Bediening:

Start

Hoofdschakelaar - op Aan / I zetten

Groene start knop - wordt ingedrukt om de CUB te starten. Blower en cutter gaan draaien. De knop licht groen op tijdens de werking.

Instelknop voor blower snelheid

Na het starten van de CUB kan de snelheid van de blower aangepast tot dat de materiaalzuiging voldoende is. Verlaag vervolgens de snelheid van de blower totdat de zuiging onder een acceptabel niveau is gedaald en verhoog de snelheid van de blower lichtjes totdat de materiaalzuiging weer optimaal is.

Stop

Rode Stop schakelaar - wordt ingedrukt om de CUB te stoppen. Blower en cutter stoppen.

Storing lamp frequentie omvormer

Brandt rood wanneer de hoofdschakelaar is ingeschakeld, als de besturing een fout detecteert op de frequentieomvormer van de blower, of als de stroomonderbreker van de omvormer is uitgeschakeld. Zie sectie "Problemen oplossen". De CUB kan niet worden gestart en het rode lampje bij het verkeerslicht gaat ook branden.

Storingslamp cutter

Brandt rood als de hoofdschakelaar is ingeschakeld, als de besturing een fout detecteert in de frequentieomvormer van de cutter of als de

stroomonderbreker van de omvormer is uitgeschakeld. Zie indien nodig het hoofdstuk "Problemen oplossen". De CUB kan niet worden gestart en het rode lampje bij het verkeerslicht gaat ook branden.

Aan/uit-schakelaar voor antistatische apparatuur of olie-injectie (accessoire)

Zet de schakelaar op Aan om de antistatische apparatuur in de separator of de oliesmering in te schakelen.

Lamp voor gedeeltelijk gevulde zak (accessoire)

Schakelt in en brandt geel wanneer de materiaalzak voor ca. 80% is gevuld. Als de CUB met de hoofdschakelaar wordt uitgeschakeld en weer wordt ingeschakeld, brandt het controlelampje direct totdat de zak wordt vervangen. De materiaalzak moet zo snel mogelijk worden vervangen en uiterlijk voordat het rode controlelampje gaat branden. Het lampje wordt aangevuld met een geel lampje in het stoplicht boven op de CUB.

Lamp voor volledig gevulde zak (accessoire)

Schakelt in en brandt rood wanneer de materiaalzak volledig is gevuld. De CUB stopt om materiaalverspilling en/of verstopping te voorkomen. Als de CUB met de hoofdschakelaar wordt uitgeschakeld en weer wordt ingeschakeld, gaat het indicatielampje direct branden en kan de CUB pas worden gestart als de zak is vervangen. In de besturing zit een instelbare timer die bepaalt hoe lang het duurt vanaf het moment dat de niveausensor een volle zak detecteert tot het indicatielampje rood oplicht en de CUB stopt. Het lampje wordt aangevuld door een rood lampje in het stoplicht bovenop de CUB.

Plaatsen / vervangen de zak

De makkelijkste manier om de zak te installeren is om deze met beide handen rond de separatoruitlaat te leiden, waarna de rubberen band van het ene oog wordt losgemaakt, rond de uitlaat wordt geleid en aan het andere oog wordt vastgemaakt. Herhaal dit met de andere bagageband. Draag een beschermende bril wanneer u zakken verwisselt met een draaiende blazer, zie sectie "Waarschuwingen".

Doe het volgende als de zak vol is:

- Stop de CUB op de start/stop-schakelaar
- Maak de rubberen band los en haak deze in de ogen
- Bind de tas vast met bijvoorbeeld een kabelbinder
- Plaats een nieuwe tas
- Start de CUB op de start/stop-schakelaar

Het is voordelig om een eindeloze zak te gebruiken, die het sneller zal maken om de gevulde zak te verwijderen en zo de materiaalzuiging niet langer dan nodig zal onderbreken. Zie sectie "Accessoires".

Zowel de zak als het filter moeten regelmatig worden gecontroleerd, afhankelijk van het materiaal en of er antistatische apparatuur of een oliesmeersysteem is aangebracht.

De zakken zijn bij Kongsilde te koop onder de volgende artikelnummers:

Art no.	Type
100 203 149	Zak voor afval van 900 liter (10 stuks)
100 203 167	Eindeloos zak voor materiaal (1 stuk)

Reinigen en vervangen van de filters - zie hoofdstuk "Service en onderhoud".

Tijdens normaal gebruik moet de deurgreep vergrendeld zijn en moet de sleutel verwijderd zijn om ongeautoriseerde toegang tot interne componenten te voorkomen.

Accessoires:

Houder voor Eindeloze zak:

De zakhouder bestaat uit een ring die onder de materiaaluitlaat is gemonteerd, een mand die de zak vasthoudt en een handvat dat de mand tussen open en gesloten positie tilt.

De eindeloze zakhouder is onder de separator en in de achterplaat van de kast gemonteerd. De eindeloze materiaalzak wordt in de mand geplaatst en wanneer de zak vol is, doet u het volgende:

- Stop de CUB op de start/stop-schakelaar
- Trek de zak iets naar beneden en bind hem vast

met bijvoorbeeld twee kabelbinders die op een afstand van ca. 5 cm zijn gemonteerd

- Knip de zak tussen de twee kabelbinders door en trek de lege zak naar beneden tot op de vloer
- Start the CUB met de Start/Stop schakelaar

Let op: verwijder de kabelbinders niet van de eindeloze zak voordat u deze in de zakhouder plaatst. Anders bestaat het risico dat de zak wegglijdt en moeilijk in de zakhouder te plaatsen is.

HEPA filter

Het filter wordt bovenop de separator gemonteerd en is een aanvulling op het standaard gemonteerde voorfilter (F7). Het HEPA-filter zorgt ervoor dat de uitlaatlucht van de CUB wordt gereinigd van materiaalresten en stof en maakt het mogelijk om direct in de productieruimte af te voeren, afhankelijk van de lokale luchtkwaliteitseisen. Het filter wordt op zijn plaats gehouden door de 4 meegeleverde stalen rails (de 4 beugels die het voorfilter vasthouden, worden verwijderd voor installatie).

Niveausensor voor detectie van volle zakken

De sensor detecteert wanneer de zak bijna vol is of vol is. Het signaal activeert een verkeerslicht bovenop de CUB volgens de volgende kleurindicaties:

- Rood = De zak is volledig vol en de CUB is gestopt
- Geel = De zak is voor ongeveer 80% of meer gevuld
- Groen = De CUB functioneert normaal

De sensor wordt op de meegeleverde beugel onder de scheider gemonteerd en volgens de bijgevoegde instructies aangesloten op de CUB-besturingseenheid. De positie van de sensor kan op de beugel worden aangepast.

NB – in geval van een storing in de frequentieomvormer van de ventilator of de cutter gaat ook het rode lampje van het verkeerslicht branden en stopt de CUB.

Olie smeersysteem

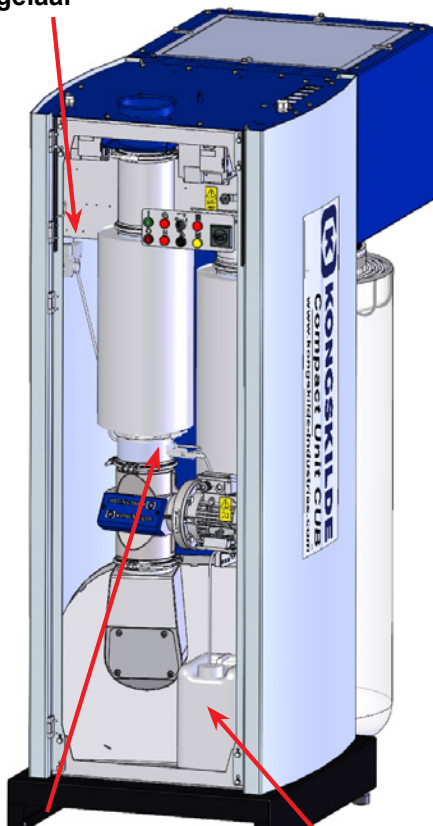
Het systeem bestaat uit een oliereservoir, een injectiespuitmond, een drukregelaar en een timer. Het oliesysteem voegt een hoeveelheid olie toe aan de leidingen via een instelbare spuitmond voor de cutter. De olie wordt verder verneveld in de cutter, wat de blower en separator smeert. Dit voorkomt dat kleverige/plakken materialen de CUB blokkeren. Het systeem wordt aangestuurd door perslucht en een 24VDC-timer en bevat een geïntegreerde container van 10 liter. Het is mogelijk om de hoeveelheid olie op de spuitmond en op de timer in de besturing aan te passen, afhankelijk van de behoefte (hoe kleverig het materiaal is, hoeveel materiaal er wordt getransporteerd en de viscositeit van de olie).

Aanbevolen settings

- De injectiesproeier is ingesteld op 1 slag vanaf 0 (kan worden ingesteld tussen 0 - 10 slagen)
- De timer is ingesteld op olie-injectie 50% van de tijd (kan worden ingesteld tussen 0 - 100%)
- De drukregelaar is ingesteld op 2,5 bar (instelbaar tussen 0,5 - 2,5 bar)

Als u de hoeveelheid geïnjecteerde olie wilt controleren, is de eenvoudigste manier om de aanzuigslang uit de oliecontainer te halen en de slang in een kleine open container met olie te plaatsen. Hiermee kunt u controleren hoeveel olie er wordt geabsorbeerd, bijvoorbeeld in 5 minuten.

Druk Regelaar



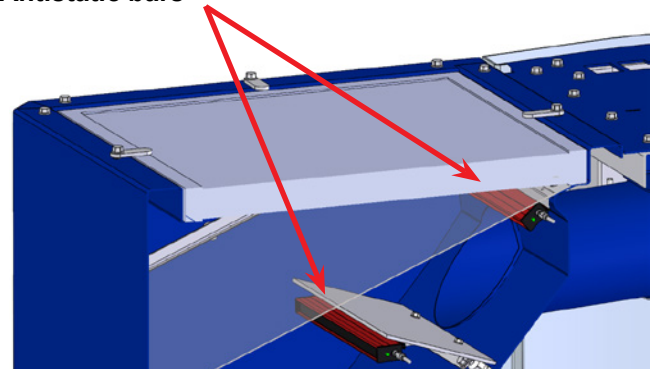
Olie injectie nozzle

10 litre container

Anti-static equipment

Het apparaat is gemonteerd in de separator, waardoor wordt voorkomen dat materiaal aan het net en de bovenkant van de zak blijft plakken. Het onderdeel zorgt ervoor dat het materiaal niet blijft plakken door zijn statische lading en dus vrij naar beneden in de zak kan vallen. Het apparaat wordt compleet geleverd met antistatische staven, beugel en draden. Het apparaat kan op het bedieningspaneel worden in- en uitgeschakeld.

Antistatic bars



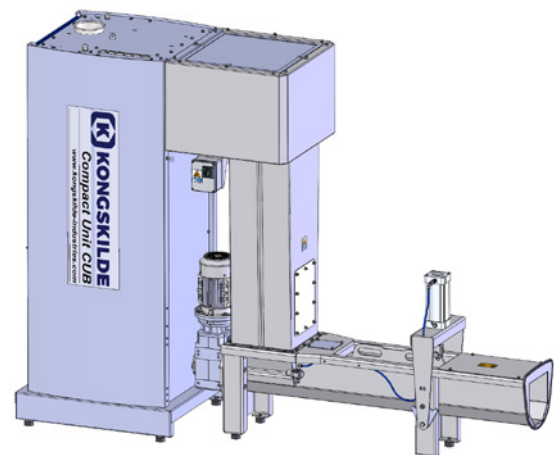
NB - als er problemen met statische elektriciteit optreden vóór de CUB-scheider, moet dit worden opgelost met antistatische apparatuur die op de pijpleiding is gemonteerd onmiddellijk na het punt waar de materiaalopvangbuizen samenkomen.

Schroefcompactor (Waste Screw Compactor)

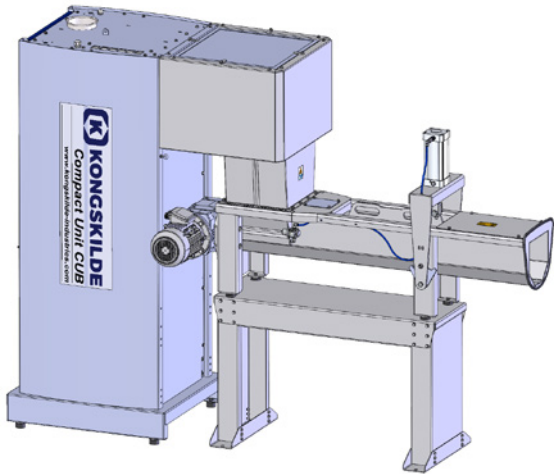
De schroefcompactor is een apparaat dat materiaal samenperst met behulp van een schroef die in een trog is gemonteerd. De schroef wordt aangedreven door een reductiemotor. Aan het uiteinde van de schroef wordt het materiaal tegen een verstelbare klep geperst, waardoor het wordt gecompriëerd. Deze compactor is geschikt voor het samenpersen van afgesneden stroken papier, plastic en metaalfolie. Hij wordt onder de separator op de CUB geplaatst. Ook statisch geladen folies en kleverig materiaal kunnen worden verwerkt, mits er een oliesmering is aangebracht en het juiste type compactor wordt gebruikt.

Er zijn twee uitvoeringen beschikbaar: één voor montage op de vloer en één voor montage op een statief.

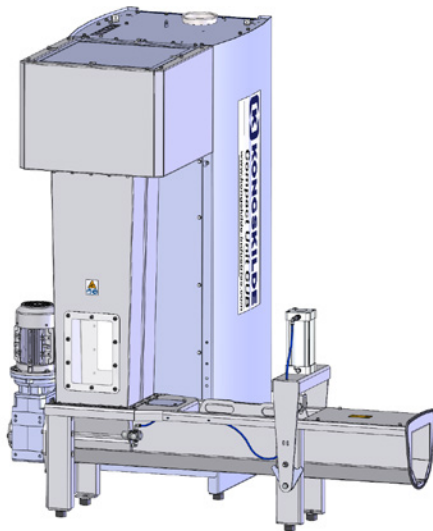
De compactor wordt op de vloer geplaatst, waarop een eindeloze zak op de materiaalluitgang kan worden geplaatst.



De compactor wordt op een statief geplaatst, waarop een container of iets dergelijks bij de materiaaluitgang kan worden geplaatst.



De compactor kan in het verlengde van de CUB worden gemonteerd, of loodrecht op de CUB, aan beide zijden (zie eventueel de maatschets achterin de handleiding van de compactor).



Service en onderhoud:

Alle service, onderhoud en reparaties moeten worden uitgevoerd door gekwalificeerde of geïnstrueerde personen. Schakel altijd de stroom en perslucht (indien geïnstalleerd) naar de CUB uit vóór reparatie en onderhoud en vergrendel de hoofdschakelaar zodat de CUB niet per ongeluk kan worden gestart. Controleer jaarlijks de bedrading op beveiliging en isolatie, inclusief de aardverbinding.

De motorlagers zijn fabrieksmatig gesmeerd en hoeven niet extra gesmeerd te worden. Zorg ervoor dat er altijd onbelemmerde toegang is van koellucht tot de motoren. De rotor van de blower is direct op de motoras gemonteerd, daarom zitten er geen lagers in de blower zelf.

De blower, de rotor en de blowerbehuizing regelmatig controleren op breuken, scheuren en slijtage. Het makkelijkst is dat via het inspectieluik en de materiaaluitlaatpijp. Het is gevaarlijk als de rotor en/of de blowerbehuizing versleten of beschadigd is. Bovendien zal een versleten rotor de levensduur van de motorlagers verkorten. Verder moet er gecontroleerd worden of er zich een laag materiaal heeft opgebouwd die een onbalans in de rotor kan veroorzaken en de efficiëntie van de blower kan verminderen. Bij het schoonmaken van het materiaal moet dit grondig en gelijkmatig gebeuren, zodat er geen verdere onbalans in de rotor ontstaat.

Filters

Wanneer het vóór- en het HEPA-filters verstopt raken, zal de zak steeds verder overstrekt raken en zal de materiaalzuiging afnemen (zie hoofdstuk "Bediening"). De filters dienen vervangen of eventueel gereinigd te worden met perslucht. Maak het voorfilter los door de 4 beugels aan de bovenkant van de separator te draaien. Indien de CUB is uitgerust met een HEPA-filter, dient deze eerst verwijderd te worden door de 4 hendels te draaien.

De filters kunnen bij Kongskilde worden gekocht onder de volgende artikelnummers:

Part no.	Type
100 203 147	Bovenste HEPA-filter (1 stuk)
100 203 148	Onderste voorfilter (1 stuk)

Het HEPA-filter kan bij vervanging worden vervangen door een ander filtertype met vergelijkbare afmetingen.

Cutter

Regelmatig moet worden gecontroleerd of de cutter naar behoren snijdt. Het is sterk afhankelijk van oa. het type materiaal en de hoeveelheid wanneer de messen opnieuw moeten worden afgesteld, geslepen of vervangen moeten worden.

Probleem oplossingen:

Storing	Mogelijke oorzaak	Mogelijke oplossing
Onvoldoende zuigkracht	<p>Zak gevuld met materiaal. Indien de CUB is uitgerust met een niveausensor (accessoire), zal de rode indicator oplichten - zie hoofdstuk "Bediening".</p> <p>Pre-filter (en mogelijk HEPA filter) verstopt.</p> <p>Blower snelheid te laag.</p> <p>Teveel materiaal toegevoegd.</p> <p>Olie smeer systeem (accessoire) werkt niet (met sticky materiaal).</p> <p>Anti-static equipment (accessoire) werkt niet (met static materiaal)</p>	<p>Vervang de zak. Indien nodig, maak de CUB unit schoon en leeg voordat deze weer wordt opgestart.</p> <p>Maak filter schoon of vervang hem. "Service en onderhoud".</p> <p>Verhoog de snelheid.</p> <p>Verminder de hoeveelheid materiaal.</p> <p>Check Olie smeer systeem. Indien nodig, maak de CUB unit schoon en leeg voordat deze weer wordt opgestart</p> <p>Check anti-static equipment. Indien nodig, maak de CUB unit schoon en leeg voordat deze weer wordt opgestart</p>
Materiaal niet goed gesneden	Cutter messen zijn defect/bot	Slijp of vervang de messen
CUB werkt niet	<p>Onvoldoende voeding (oa. Defecte zekering).</p> <p>Blower- of cutter motor defect.</p> <p>Frequentieomvormer of andere elektrische componenten defect. Controleer de storingslampjes van de frequentieomvormer op de frequentieomvormer - zie hoofdstuk "Bediening".</p> <p>Te grote daling van de voedingsspanning.</p> <p>De Cutter geblokkeerd door materiaal (draait niet) – het controlelampje voor een storing in de frequentieomvormer gaat branden</p>	<p>Verbind met elektrische voeding.</p> <p>Vervang de motor.</p> <p>Vervang onderdelen.</p> <p>Vervang kabels door kabels met een grotere doorsnede of lokaliseer een andere oorzaak van de spanningsval.</p> <p>Schakel de hoofdschakelaar uit en vergrendel deze, verwijder de blokkade in de cutter, de blower, enz. en schakel indien nodig over op een ander materiaal.</p>
Materiaal zak enorm uitgezet	Te hoge druk in de zak door een verstopte filter of separator screen	Voorfilter (en eventueel HEPA-filter) wordt gecontroleerd en indien nodig gereinigd of vervangen. Helpt dit niet, controleer/reinig dan het scherm in de separator. Indien de CUB is uitgerust met antistatische staven, kunnen deze worden gecontroleerd op de LED aan het einde van de balk. Is deze uit, dan is de balk defect. Knippert de LED, dan moet de balk worden gereinigd

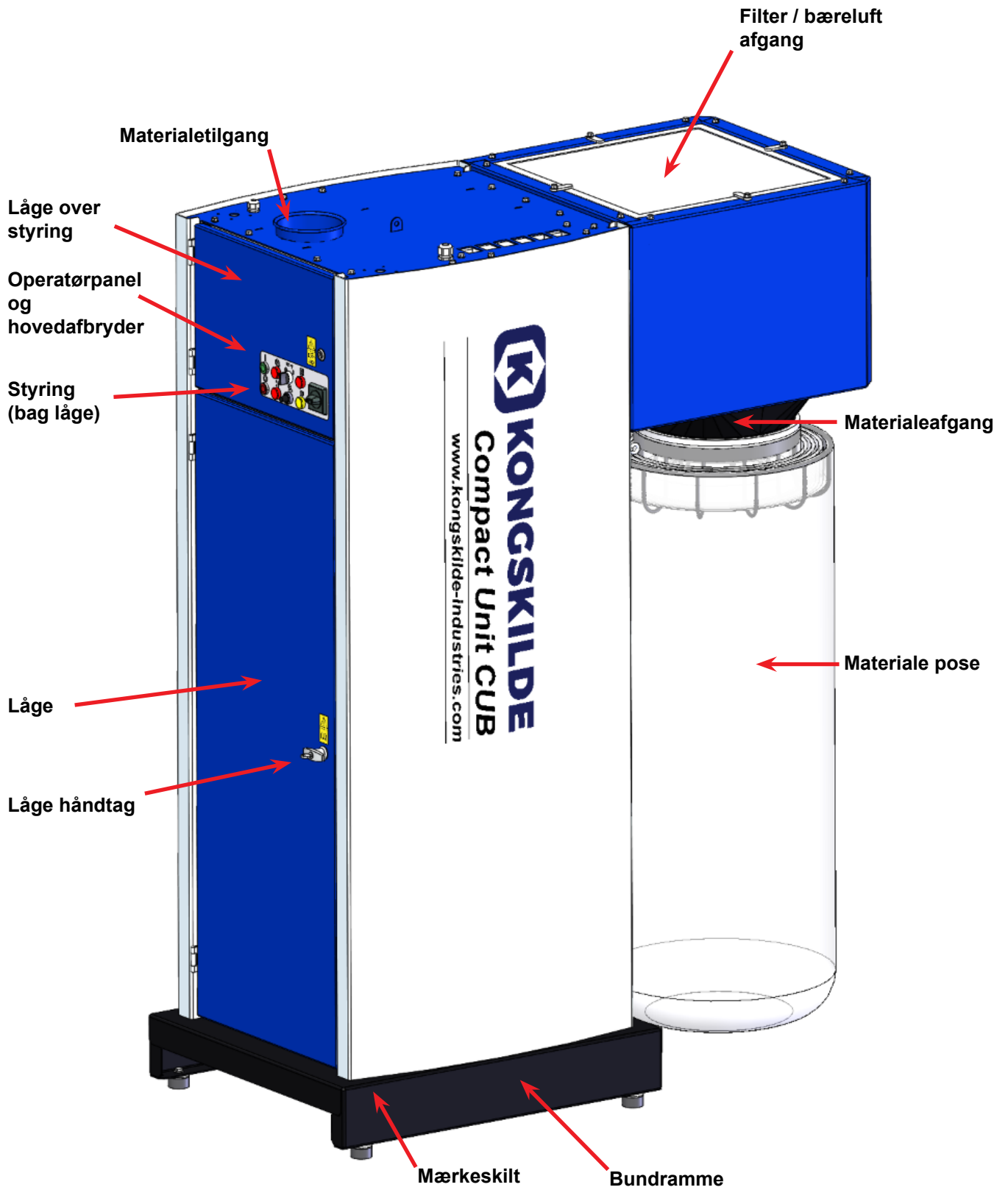
Neem bij twijfel contact op met een gekwalificeerde servicetechnicus of met uw contactpersoon van Kongskilde.

Technische gegevens:

Max. statische druk	4.750 Pa
Dikte Materiaal	40 - 300 µm
Blower output CUB 1620	2,2 kW
Blower output CUB 1640	4 kW
Cutter motor	0,75 kW / 1.500 rpm
Power supply CE	3 x 400V - 50Hz - 16A
Power supply UL/CSA	3 x 460V - 60Hz - 16A
Compressed air supply (at 175 l/min)	Min. 2,5 bar - max. 8 bar
Gewicht	400 kg
Hoogte x breedte x lengte	2.150 x 800 x 1.570 mm
Pijp aansluitmaat	OK 160
Vóór filter	Panel filter F7
Hoofd filter	HEPA cassette filter H14*
Geluidsnivo indicatie (1 meter)	Max. 80 dBA**

*: Of gelijkwaardig

** : Geluidsnivo is gemeten zonder materiaal. Uiteindelijke geluidsnivo is mede afhankelijk van de locatie en het soort materiaal dat door de unit heen getransporteerd wordt.



DK

Denne brugsanvisning er beregnet for Kongskilde Compact Unit CUB.

Målgruppen for denne brugsanvisning er operatører, (el-) installatører samt vedligeholdelses- og service personale.

Beskrivelse:

Produktet er en alt-i-en enhed, indeholdende cutter, blæser og separator, konstrueret til at opsuge afskårne strimler af papir og plast- / metalfolie, og neddele strimlerne. CUB kan også håndtere klæbende eller statisk ladede folier hvis der monteres hhv. oliesmøring eller antistatisk udstyr. Begge dele kan dog ikke kombineres, idet olien begrænser effekten af antistatustyret. Anbefalet materiale tykkelse er 40 - 300µm. Det neddelte materiale blæses ud gennem separatoren, og falder derefter ned i posen. Poserne kan enten være enkeltstyks, eller en endeløs pose der monteres i en holder (tilbehør). Yderligere kan der tilkøbes en skruekompaktor (Waste Screw Compactor) til montage under separatoren, der vil komprimere materialet, og lede det ud i enten en endeløs pose eller en container eller lignende.

Bæreluften renses i et indbygget filter, og sendes rensed ud af CUB. Der kan eftermonteres et HEPA filter (tilbehør), hvilket gør det muligt at udblæse direkte i produktionslokalet, afhængig af lokale krav til luftkvaliteten.

CUB er konstrueret til nemt at kunne flyttes ved hjælp af en palleløfter eller gaffeltruck, og hurtigt kunne tilsluttes rørføringen med lynkobling i toppen af CUB. Betjening af CUB foregår på fronten, hvor der kan startes, stoppes og justeres blæseromdrejninger. På bagsiden kan der skiftes pose.

CUB er ikke konstrueret til fugtige eller hårde materialer. CUB findes med integreret cutter og med ekstern cutter.

Sikkerhedshenvisninger:

Undgå ulykker ved altid at følge sikkerhedsforskrifterne som er angivet i brugsanvisningen og på CUB.

CUB skal være monteret i et lukket rørsystem, uden adgang for personer til bevægelige dele.

Der er risiko for beskadigelse af CUB, hvis fremmedlegemer opsuges / tabes i rørsystemet.

Manglende tilsyn med CUB kan medføre slid og brud på vitale dele, se afsnit "Service og vedligeholdelse".

Monteringen og befæstigelsen skal være forskriftsmæssig udført (se afsnit "Installation"), da stabiliteten ellers forringes og slitagen øges.

Sørg for at alle afskærmninger og låger er i orden og korrekt monteret / lukket under drift.

Afbryd altid strømmen og tryklufften til CUB før reparation og vedligeholdelse, og lås hovedafbryderen (f.eks. med en hængelås), så CUB ikke kan startes ved en fejltagelse.

Pas på når cutter eller blæser serviceres - cutterens knive er meget skarpe, og bør kun håndteres med handsker. Ligeledes må blæseren aldrig startes når dækslet over blæseren er fjernet.

Sørg for at der er sikre adgangsveje, som kan bruges ved reparation og vedligeholdelse af CUB.

Hold orden omkring CUB, så der ikke er risiko for fald ulykker. Sørg for tilstrækkelige lysforhold til sikker betjening af CUB.

Pas på ikke at rive eller klemme fingre når der skiftes pose.

Pas på øjenskader. Hvis der er små partikler i materialet, som transporteres, kan de blive blæst ud gennem separatoren sammen med transportluften. Brug derfor beskyttelsesbrille i nærheden af separatoren, når der skiftes pose mv, og pas på ikke at støde hovedet mod poseholderkanten.

Hvis CUB er forsynet med oliesmøringssystem til brug ved klæbende folier, skal der udvises forsigtighed ved håndtering af oliesystemet. Hvis man får olie på huden, skal den rengøres grundigt med vand og sæbe. I tilfælde af olie i øjnene skal man skylle grundigt med vand, og i tilfælde af irritation skal man kontakte læge. Derudover skal der bruges beskyttelsesbrille når man håndterer olien, og ved poseskift med oliesystemet aktiveret.

Hvis der konstateres unormale rystelser eller støj, skal CUB stoppes øjeblikkeligt, og årsagen undersøges. Hvis der er tvivl, skal der tilkaldes sagkyndig assistance til eventuel reparation og vedligeholdelse.

Sørg for at CUB står på en stabil plan overflade, så den er sikret mod nedstyrtning og mod at vælte.

Pas på ikke at få fingre eller hænder i klemme når lågerne åbnes eller lukkes.

CUB's blæseromdrejningstal kan indstilles trinløst ved hjælp af operatør panelet. For ikke at overbelaste blæser og motor, kan omdrejningstallet ikke stilles højere end det, som blæseren er beregnet til. Det er ikke tilladt at ændre el-udstyret for at øge blæserens maksimale omdrejningstal.

CUB er konstrueret, så det ikke er muligt at komme i kontakt / berøring med roterende dele, under normal

drift. Vær dog opmærksom på, at hvis afskærmninger fjernes og CUB startes, er der risiko for personskade. Hvis CUB er forsynet med ekstern cutter, henvises der til dennes brugermanual m.h.t. sikkerhed og installation.

Alle rørsamlinger i en afstand af mindst 850 mm før og efter cutteren skal udføres med boltkoblinger, så der skal bruges værktøj for adskillelse og adgang til cutterens rotor.

CUB hovedafbryderen afbryder ikke for den eksterne cutter's motor og andet tilbehør, og der skal derfor sørges for separat sikkerhedsafbrydelse af denne.

Sikkerhedssymboler:

Undgå ulykker ved altid at følge de sikkerhedsinstruktioner, der er angivet i manualen og på **CUB**.

På **CUB** er der advarselstikets med symboler uden tekst. Betydningen af symbolerne er forklaret nedenfor. Hvis en advarselstiket bliver beskadiget og ikke længere er læselig, skal den udskiftes. Nye etiket findes i reservedelslisten.



Læs brugsanvisningen omhyggeligt og vær opmærksom på advarselstikets i brugsanvisningen og på CUB.



Afbryd altid strømmen til CUB før reparation og vedligeholdelse og sørg for at den ikke kan startes ved en fejltagelse.



Stik aldrig hånden ind i blæser eller cutter mens CUB er i drift.

Installation:

CUB leveres klar til brug fra fabrikken, og skal blot tilsluttes el-forsyning, trykluft og rørføring på tilgangen, samt have pose monteret.

Hvis CUB skal flyttes, skal der anvendes en gaffeltruck, palleløfter eller lignende, der løfter under CUB's bundramme, i den ende hvor operatørpanelet sidder monteret (modsat posetilslutningen). Gafflerne skal være ca. 1.100 mm eller mere.

Det er vigtigt at CUB stilles i vater, da lågen ellers ikke kan lukke korrekt. Justering kan foretages på de 4 maskinsko under CUB's bundramme.

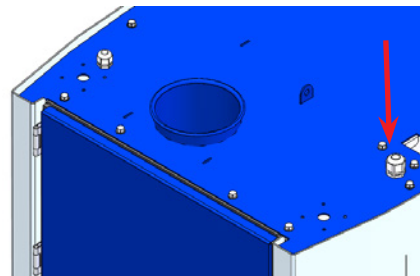
Vægt, se bagerst i manualen.

El tilslutning:

Tilslutning af strøm skal foretages af en autoriseret el-installatør. Alle el-installationer skal udføres i henhold til gældende lokal lovgivning. Kontroller at el-forsyningen på stedet passer med specifikationerne for CUB.

Ved tilslutning af CUB gøres følgende:

1. Forsyningskablet føres frem til CUB.
2. Lågerne på fronten åbnes.
3. Kablet føres gennem CUB's top, gennem kabelforskrningen.



4. Kablet tilsluttes i hovedafbryderen.
5. Kabelforskrningen på CUB's top spændes. Hvis det ønskes, kan kablet yderligere aflastes med en kabelbinder i T sporet til højre for hovedafbryderen.
6. Lågerne lukkes.

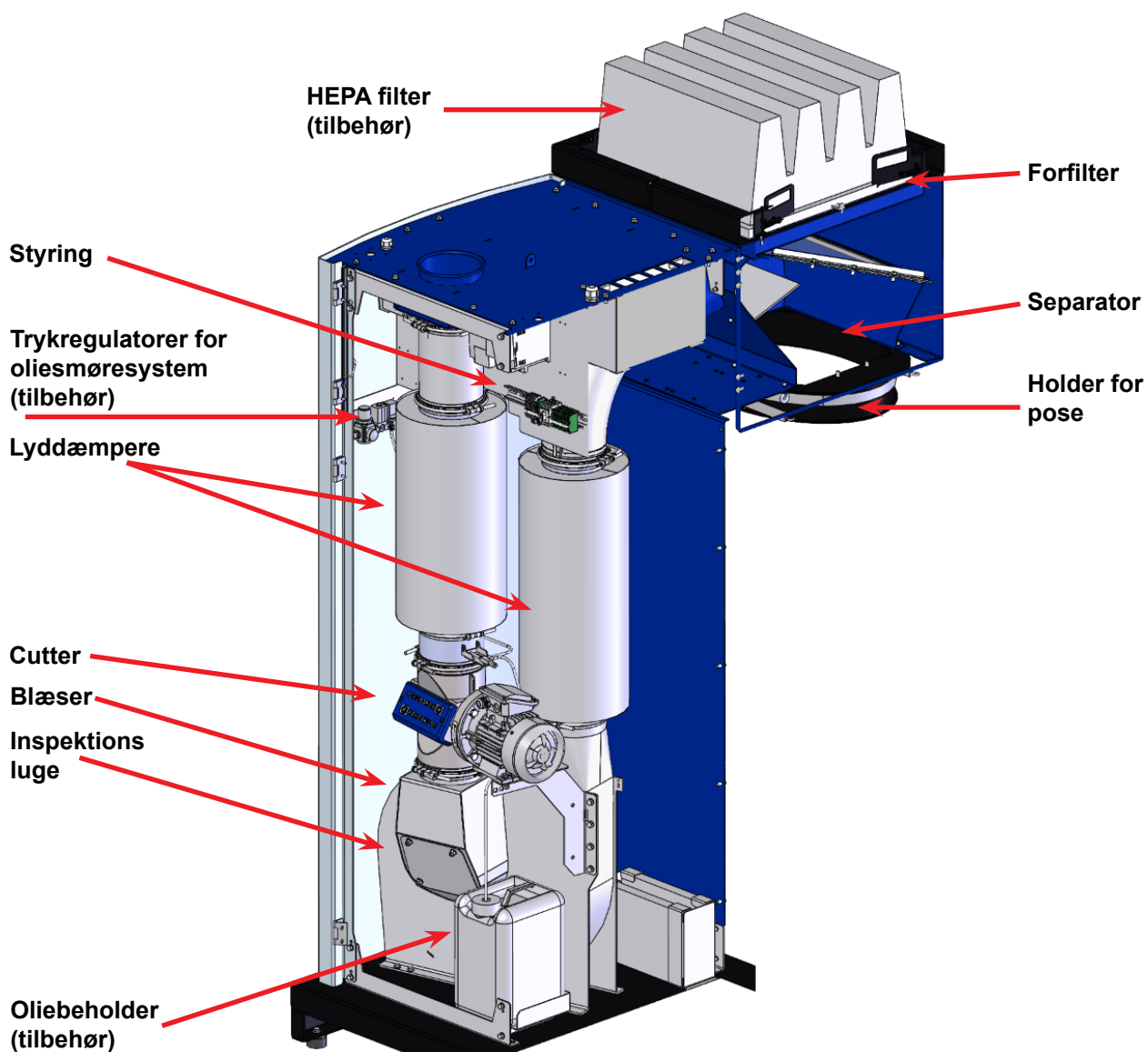
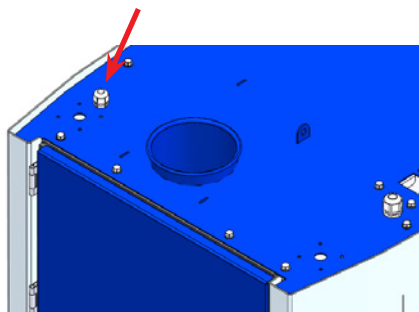
Forsikring: 16A - 3x400V 50Hz

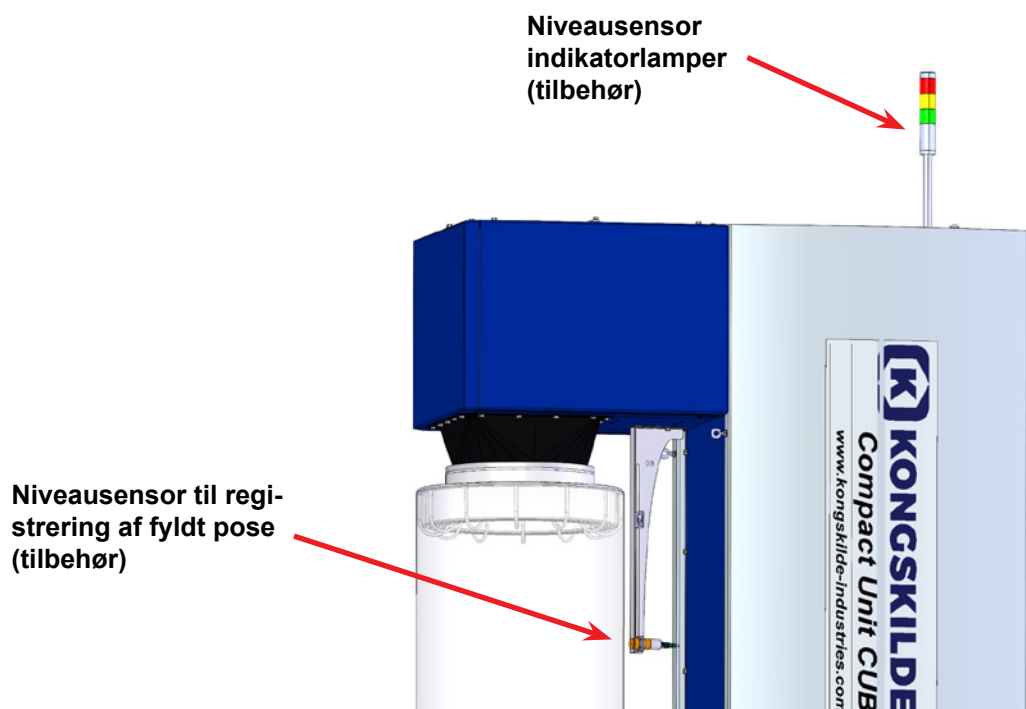
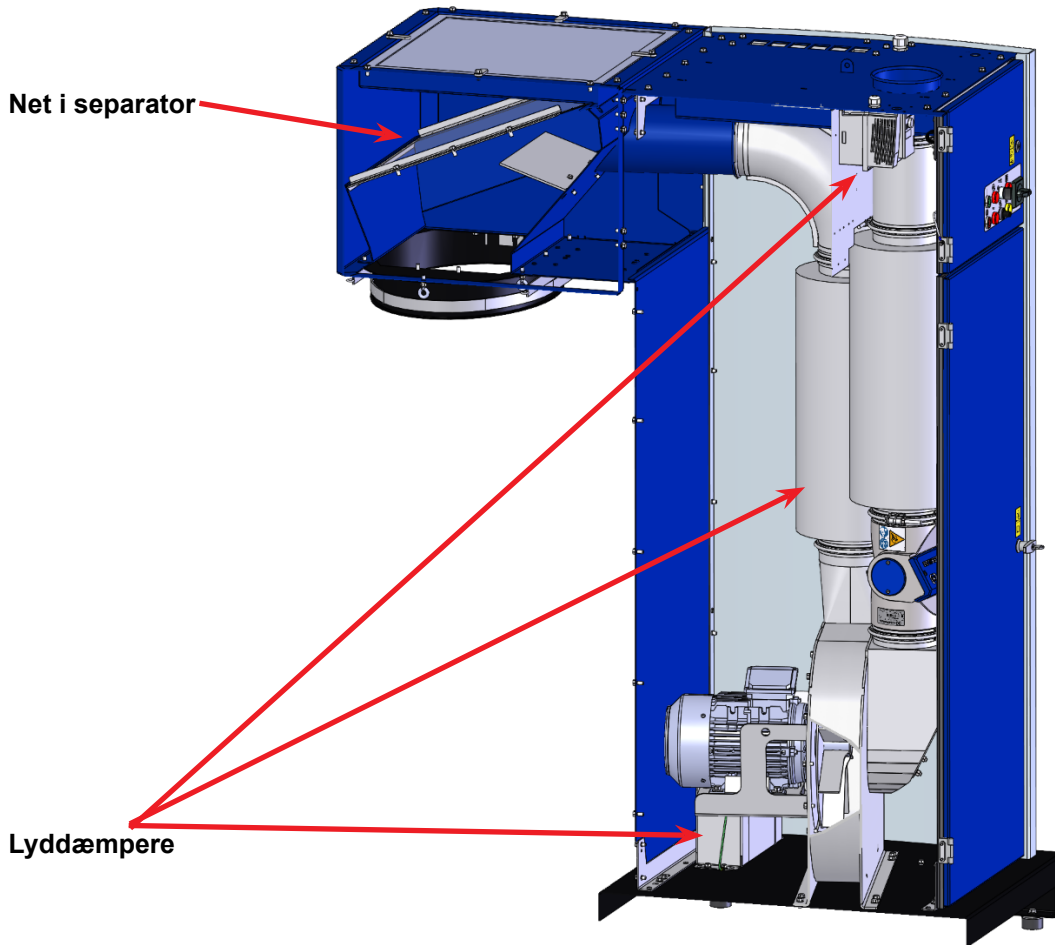
Hvis der ønskes et HPFI fejlstrømsrelæ på strømforsyningen til CUB, skal det være et 300mA type B relæ, p.g.a. styringens indbyggede frekvensomformer.

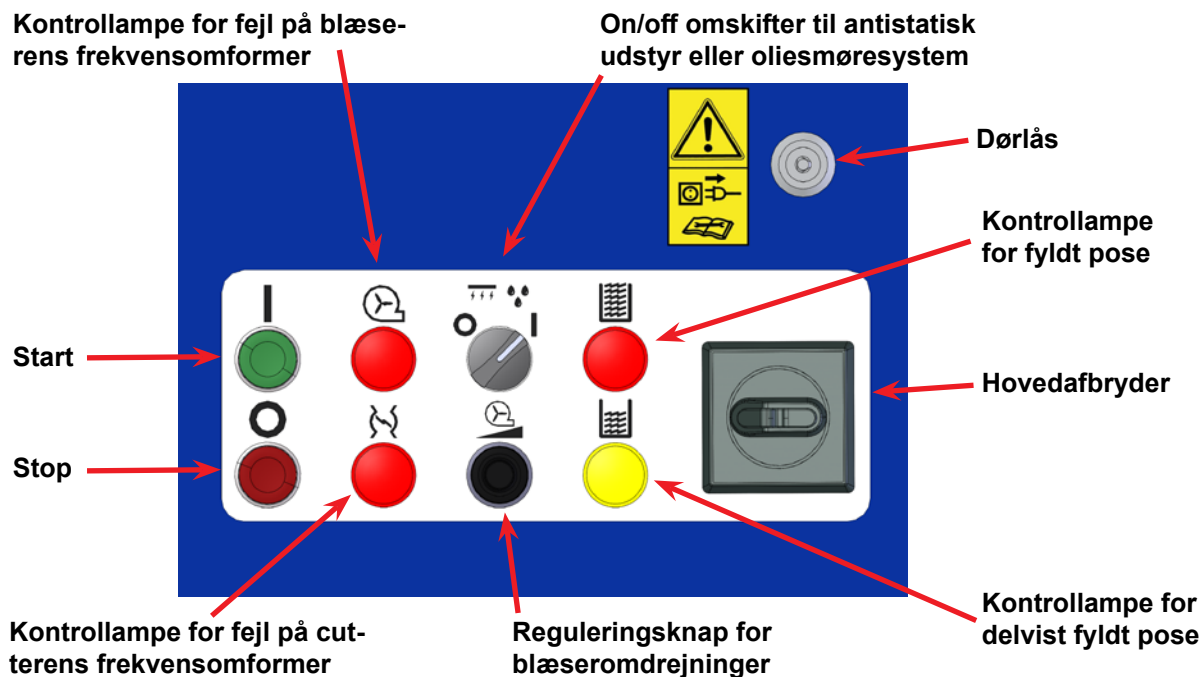
Automatsikring for styring og operatørpanel

Styring og operatørpanel strømforsynes af en 24V DC strømforsyning. Denne strømforsyning er forsikret med en automatsikring, der leveres indkoblet, men kan ud-koble ved overbelastning.

Trykluft tilslutning foretages ved at føre en Ø8mm trykluftslange gennem kabelforskrningen i toppen, og tilslutte slangen til **Oliesmøringsystem** (tilbehør).







Drift:

Start

Hovedafbryder - sættes på On / I

Grøn start knap - trykkes ind for at starte CUB. Blæser og cutter kører. Knappen lyser grønt under drift.

Reguleringsknap for blæseromdrejninger

Efter start af CUB, justeres blæserhastigheden op indtil materialeopsuget er tilstrækkeligt. Sænk derefter omdrejningstallet på blæseren indtil opsuget reduceres under acceptabelt niveau, og forøg blæserens omdrejningstal en smule, indtil materialeopsuget igen er optimalt.

Stop

Rød stop knap - trykkes ind for at stoppe CUB. Blæser og cutter stopper.

Kontrollampe for fejl på blæserens frekvensomformer

Lyser rødt når hovedafbryderen sættes på On hvis styringen registrerer en fejl på blæserens frekvensomformer, eller hvis omformerens motorværn er udkoblet. Se evt. afsnit "Fejlfinding". CUB vil ikke kunne startes, og den røde lampe i trafiklyset vil ligeledes tænde.

Kontrollampe for fejl på cutterens frekvensomformer

Lyser rødt når hovedafbryderen sættes på On hvis styringen registrerer en fejl på cutterens frekvensomformer, eller hvis omformerens motorværn er udkoblet.

Se evt. afsnit "Fejlfinding". CUB vil ikke kunne startes, og den røde lampe i trafiklyset vil ligeledes tænde.

On/off omskifter til antistatisk udstyr eller oliesmøringssystem (tilbehør)

Omskifteren sættes på On for at tænde antistatustyret i separatoren eller oliesmøringen.

Kontrollampe for delvist fyldt pose (tilbehør)

Tændes og lyser gult når materialeposen er fyldt ca. 80%. Hvis CUB slukkes på hovedafbryderen og tændes igen, vil kontrollampen lyse med det samme, indtil posen er udskiftet.

Materialeposen bør skiftes snarest, og senest før den røde kontrollampe tændes.

Lampen suppleres af en gul lampe i trafiklyset på toppen af CUB.

Kontrollampe for fyldt pose (tilbehør)

Tændes og lyser rødt når materialeposen er helt fyldt. CUB stopper for at undgå materialespild. Hvis CUB slukkes på hovedafbryderen og tændes igen, vil kontrollampen lyse med det samme, og CUB kan ikke startes, før posen er udskiftet. I styringen sidder en justerbar timer, der afgør, hvor længe der går fra at niveausensoren registrerer fyldt pose, til kontrollampen lyser rødt og CUB stopper.

Lampen suppleres af en rød lampe i trafiklyset på toppen af CUB.

Montage / udskiftning af pose

Posen monteres lettest ved at føre den omkring separatorens udløb med begge hænder, hvorefter gummistroppe hægtes af det ene øje, føres rundt om udløbet, og hægtes på det andet øje. Tilsvarende gøres med den anden gummistrop.

Brug beskyttelsesbrille ved poseskift med kørende blæser, se evt. afsnit "Sikkerhedshenvisninger".

Når posen er fyldt, gøres følgende:

- CUB stoppes på start/stop omskifteren
- Gummistroppe løsnes og hægtes i øjerne
- Posen trækkes ned og afsnøres med f.eks. en kabelbinder
- En ny pose monteres
- CUB startes

Der kan med fordel anvendes endeløs pose, der vil gøre det hurtigere at fjerne den fyldte pose, og dermed ikke afbryde materialeopsugningen længere end højst nødvendigt. Se afsnit "Tilbehør".

Både pose og filter bør efterses jævnligt, afhængigt af materiale, og om der er monteret antistatustyr eller oliesmøresystem.

Poserne kan købes hos Kongskilde under følgende varenr.:

Varenr.	Type
100 203 149	Materialepose 900 liter (10 stk.)
100 203 167	Endeløs materialepose (1 stk.)

Rensning og udskiftning af filtrene - se afsnit "Service og vedligeholdelse".

Lågens håndtag bør låses, og nøglen fjernes, under normal drift, for at hindre utilsigtet adgang til indvendige komponenter.

Tilbehør:

Holder for endeløs pose

Poseholderen består af en ring der monteres under materialeafgangen, en kurv der holder posen, og en bøjle der løfter kurven mellem åben og lukket stilling. Holderen for endeløse poser monteres under separatoren og i kabinetets bagplade. Den endeløse materialepose lægges i kurven, og når posen er fyldt, gøres følgende:

- CUB stoppes på start/stop omskifteren
- Posen trækkes lidt ned og afsnøres med f.eks. to kabelbindere, der monteres med ca. 5 cm afstand
- Posen skæres over mellem de to kabelbindere, og den tomme pose trækkes ned til gulvet
- CUB startes

NB - Fjern ikke kabelbinderne fra den endeløse pose, før den placeres i kurven, da der ellers er risiko for, at posen glider og bliver svær at placere i kurven.

HEPA filter

Filteret monteres ovenpå separatoren, og supplerer det standard monterede forfilter (F7). HEPA filtret sikrer at udblæsningsluften fra CUB er rensset for materiale-rester samt støv, og gør det muligt at udblæse direkte i produktionslokalet, afhængigt af lokale krav til luftkvaliteten. Filtret holder på plads af de 4 medfølgende stålskinner (de 4 lasker der holder forfiltret fjernes før montage).

Niveausensor til registrering af fyldt pose

Sensoren vil kunne registrere når posen er ved at være eller er fyldt. Signalet tænder en indikatorlampe på toppen af CUB efter følgende farveindikation:

- Rød = Posen er helt fyldt og CUB er stoppet
- Gul = Posen er ca. 80% fyldt eller derover
- Grøn = CUB kører i normal drift

Føleren monteres på det medfølgende beslag under separatoren, og forbindes til CUB styringen iht vedlagte vejledning. Følerens placering kan justeres på beslaget.

NB - i tilfælde af fejl på blæserens eller cutterens frekvensomformer, vil den røde lampe i trafiklyset ligeledes tænde, og CUB stoppe.

Oliesmøringsystem

Systemet består af en oliebeholder, en indsprøjtning-dyse, en trykregulator og en timer.

Oliesystemet tilsætter en mængde olie i rørføringen, gennem en justerbar dyse, før cutteren. Olien bliver yderligere forstøvet i cutteren, som derved smører blæseren og separatoren. Derved hindres det at klæbende / limholdige materialer blokerer CUB. Systemet drives af trykluft samt en 24VDC timer, og indeholder en integreret 10 liters oliebeholder.

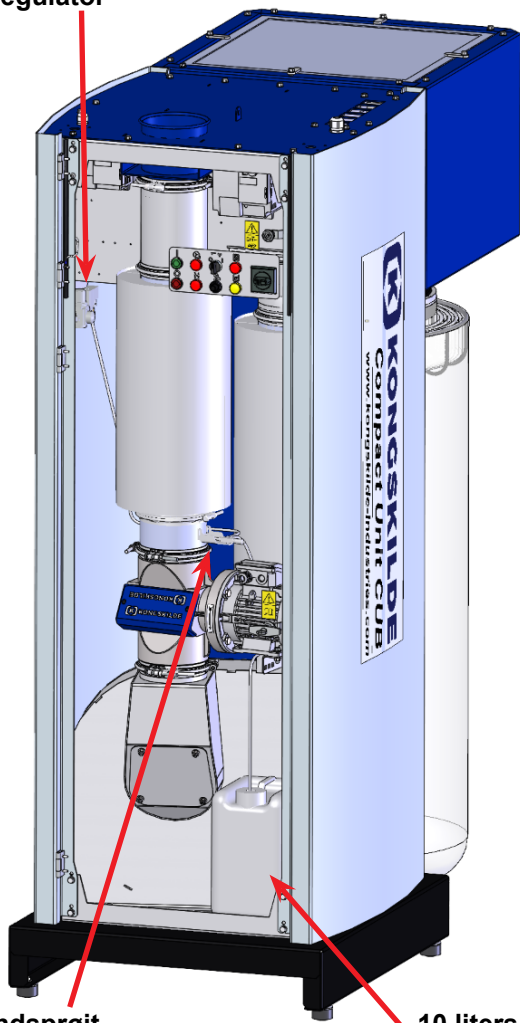
Det er muligt at justere oliemængden på dysen og på timeren i styringen afhængigt af behovet (hvor klæbende materialet er, hvor stor mængde materiale der transporteres, og oliens viskositet).

Anbefalede indstillinger

- Indsprøjtning-dysen leveres indstillet til 1 omdrejning fra 0 (kan indstilles mellem 0 - 10 omdrejninger)
- Timeren leveres indstillet til olieindsprøjtning 50% af tiden (kan indstilles mellem 0 - 100%)
- Trykregulatoren leveres indstillet til 2,5 bar (kan indstilles mellem 0,5 - 2,5 bar)

Hvis det ønskes at kontrollere den indsprøjtede oliemængde, er det lettest at fjerne sugeslangen fra oliebeholderen, og lægge slangen over i en lille åben beholder med olie. Herved kan det checkes hvor meget olie der opsuges f.eks. i løbet af 5 min.

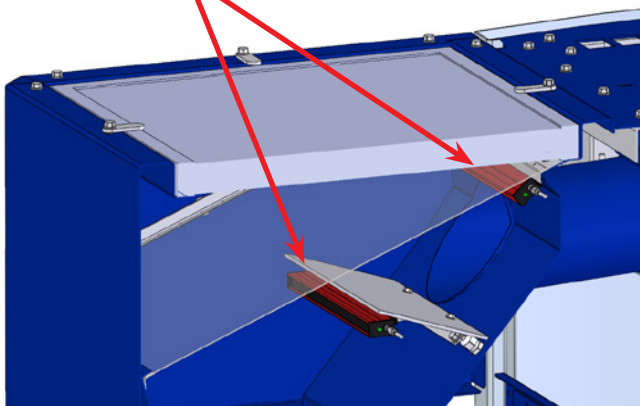
Trykregulator



Olieindsprøjtningssdyse

10 liters olie-beholder

Antistatisk udstyr



Oliesmøringssystemet kan tændes og slukkes på operatørpanelet.

Antistatisk udstyr

Udstyret monteres i toppen af separatoren, hvorved det undgås at statisk materiale klæber sig fast på nettet og i toppen af posen. Herefter aftager antistat effekten

nedefter i posen. Udstyret leveret komplet med antistat stave, beslag og ledninger. Udstyret kan tændes og slukkes på operatørpanelet.

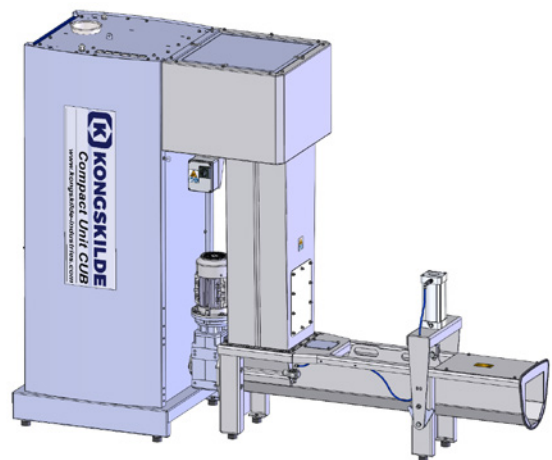
NB - hvis der optræder problemer med statisk elektricitet før CUB udskilleren, skal dette løses med antistat udstyr monteret på rørstrengen umiddelbart efter stedet hvor materiale pick-up rørene mødes.

Skruekompaktor (Waste Screw Compactor)

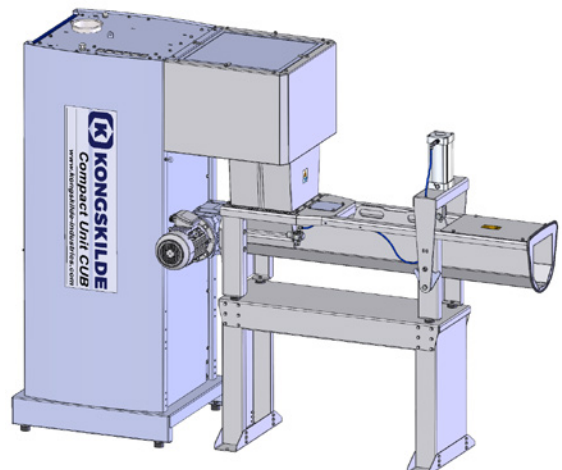
Produktet er en kompaktor, indeholdende en snegl, monteret i et trug. Sneglen drives af en gearmotor, og i enden af sneglen komprimeres det tilførte materiale mod en justerbar kompressionsklap. Kompaktoren kan komprimere afskårne strimler af papir, plast og metalolie, og monteres under separatoren på CUB'en. Kompaktoren kan også håndtere statisk ladede folier og klæbende materiale hvis der monteres oliesmøring (kompaktoren skal dog være udgaven beregnet for klæbende materiale).

Kompaktoren kan købes i to udgaver, til henholdsvis gulv- eller stativ montage.

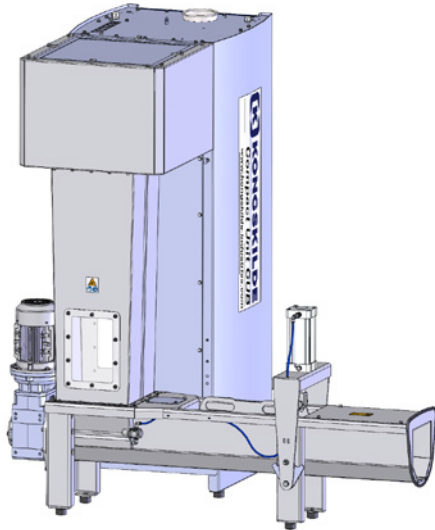
Kompaktoren placeret på gulv, hvorpå der kan placeres endeløs pose på materialeafgangen.



Kompaktoren placeret på stativ, hvorpå der kan placeres en container eller lianende ved materialeafgangen.



Kompaktoren kan monteres i forlængelse af CUB'en, eller vinkelret på CUB'en, til begge sider (se evt. målskitsen bagerst i kompaktorens manual).



Service og vedligeholdelse:

Al service, vedligeholdelse og reparation skal udføres af sagkyndig eller instrueret person.

Afbryd altid strømmen og tryklufften (hvis monteret) til CUB før reparation og vedligeholdelse, og lås hovedafbryderen, så CUB ikke kan startes ved en fejltagelse. Kontroller ledningsforbindelser for fastgørelse og isolation årligt, herunder også jordforbindelsen.

Motorenes lejer er smurte fra fabrikken og kræver ikke yderligere smøring. Sørg for at der altid er uhindret tilgang af køleluft til motorerne.

Blæseres rotor er monteret direkte på motorens aksel, der er derfor ikke lejer i selve blæseren.

Blæseren skal regelmæssigt have eftersat rotor og blæserhus for brud, revner og gennemslidning, lettest gennem inspektionslugen og materialeafgangsrøret. Det er forbundet med fare, hvis der køres med en blæser, hvis rotor og/eller blæserhus er opslidt eller beskadiget. Derudover vil drift med slidt rotor nedsætte levetiden på motoren lejer. Endvidere skal det kontrolleres, om der er blevet opbygget et lag af materiale, der i værste fald ville kunne medføre ubalance i rotoren, og nedsætte effektiviteten på blæseren. Ved afrensning af materialet, skal dette foretages grundigt og ensartet, så der ikke opstår yderlige ubalance i rotoren.

Filtre

Når for- og HEPA filtrene er ved at være tilstoppede, vil posen blive mere og mere hårdt udspændt, og materialeopsuget vil reduceres (se afsnit "Drift"). Filtrene bør herefter udskiftes eller evt. renses med tryklufft.

Forfiltret løsnes ved at dreje de 4 lasker i toppen af separatoren. Er CUB forsynet med HEPA filter, skal dette fjernes først ved at dreje de 4 håndtag.

Filtrene kan købes hos Kongskilde under følgende varenr:

Varenr.	Type
100 203 147	Øverste HEPA filter (1 stk.)
100 203 148	Nederste forfilter (1 stk.)

HEPA filtret kan erstattes med anden type filter af tilsvarende dimensioner ved udskiftning.

Cutter

Det bør regelmæssigt kontrolleres om cutteren klipper tilfredsstillende. Det er meget afhængigt af materiale og mængde hvornår det er påkrævet med justering / slibning af knivene.

Fejlfinding:

Fejl	Årsag	Afhjælpning
Utilstrækkeligt materialeopsug	<p>Posen fyldt med materiale. Hvis CUB er forsynet med niveauføler (tilbehør), vil den røde kontrollampe lyse - se afsnit "Drift".</p> <p>Forfilter (og evt. HEPA filter) tilstoppet.</p> <p>Blæseromdrejninger sat for lavt.</p> <p>Materialet bliver tilført i for stor mængde.</p> <p>Ventil til afbrydelse af materiale ved poseskift lukket eller ikke helt åben.</p> <p>Oliesmøresystem (tilbehør) fungerer ikke korrekt (ved klæbende materialer).</p> <p>Antistatudstyr (tilbehør) fungerer ikke korrekt (ved statiske materialer)</p>	<p>Pose udskiftes. Evt. skal CUB også tømmes for materiale før den startes igen.</p> <p>Filtre renses eller udskiftes, se afsnit "Service og vedligeholdelse".</p> <p>Juster blæseromdrejninger op.</p> <p>Materiemængde formindskes.</p> <p>Ventil åbnes og/eller kontrolleres.</p> <p>Kontroller oliesmøresystem. Evt. skal CUB også tømmes for materiale før den startes igen.</p> <p>Kontroller antistatudstyr. Evt. skal CUB også tømmes for materiale før den startes igen</p>
Materiale neddeles ikke tilstrækkeligt	Cutter slidt	Cutterknive slibes og justeres eller udskiftes
CUB kører ikke	<p>Manglende forsyningsspænding (f.eks. sikringer defekte).</p> <p>Blæser- eller cuttermotor defekt.</p> <p>Frekvensomformer eller anden elektrisk komponent defekt. Se evt. kontrollamperne for fejl på styringens frekvensomformer - se afsnit "Drift".</p> <p>For stort fald i spændingsforsyning.</p> <p>Cutter blokeret af materiale (kører ikke rundt) -kontrollampe for frekvensomformerfejl vil lyse</p>	<p>Tilslut forsyningsspænding.</p> <p>Udskift motor.</p> <p>Udskift komponent.</p> <p>Udskift kabler til større tværsnit eller find anden årsag til spændingsfald.</p> <p>Sluk og lås hovedafbryder, fjern blokering i cutter, blæser mv, og skift evt til andet materiale</p>
Materialepose unormalt udspilet	For højt tryk i posen p.g.a. tilstoppet forfilter eller sold	Forfilter (og evt. HEPA filter) kontrolleres, og renses eller udskiftes om nødvendigt. Hvis dette ikke hjælper, kontrolleres/renses soldet i udskilleren. Er CUB forsynet med antistat stave, kan disse kontrolleres på LED'en i enden af staven. Er denne slukket, er staven defekt. Blinker LED'en skal staven rengøres

I tvivlstilfælde, kontakt kvalificeret servicetekniker eller Kongskildes service organisation.

Teknisk data:

Max. statisk trykopsætning	4.750 Pa
Materiale tykkelse	40 - 300 µm
Blæsereffekt CUB 1620	2,2 kW
Blæsereffekt CUB 1640	4 kW
Cuttermotor	0,75 kW / 1.500 rpm
Strømforsyning CE	3 x 400V - 50Hz - 16A
Strømforsyning UL/CSA	3 x 460V - 60Hz - 16A
Tryklufforsyning (ved min. 200 l/min)	Min. 2,5 bar - max. 8 bar
Vægt	400 kg
Højde x bredde x længde	2.150 x 800 x 1.570 mm
Rørtilslutning på indgang	OK 160
Forfilter	Panel filter F7
Hovedfilter (tilbehør)	HEPA kasette filter H14*
Lydtryks niveau Lp (1 meter)	max. 80 dBA**

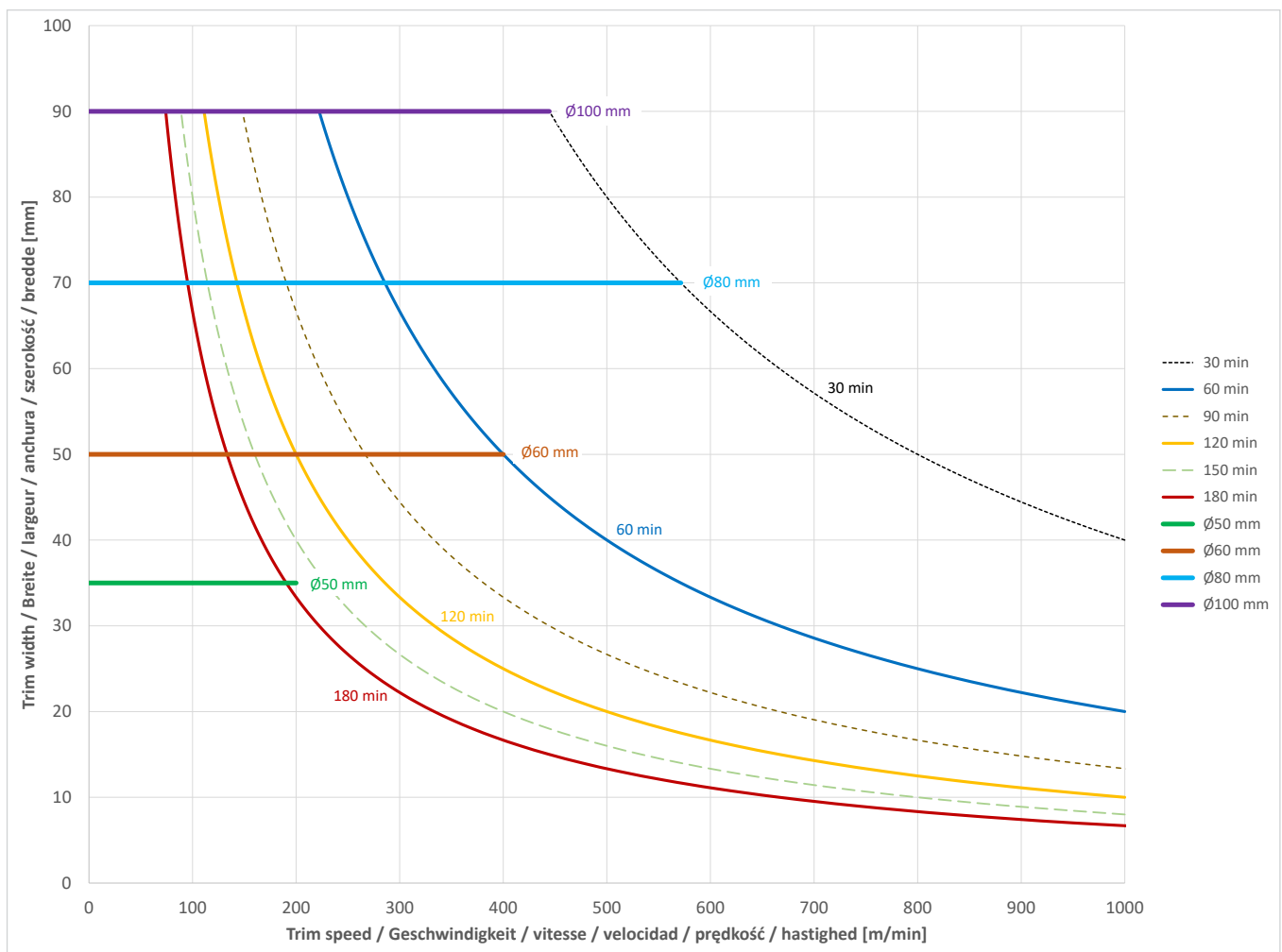
*: Eller tilsvarende

** : Lydtryks niveau er excl. materiale, og der må forventes højere niveau når CUB håndterer materiale.

Performance curves / Leistungskurven / Courbes de performance / Curvas de rendimiento / Krzywe wydajności / Ydelseskurver:

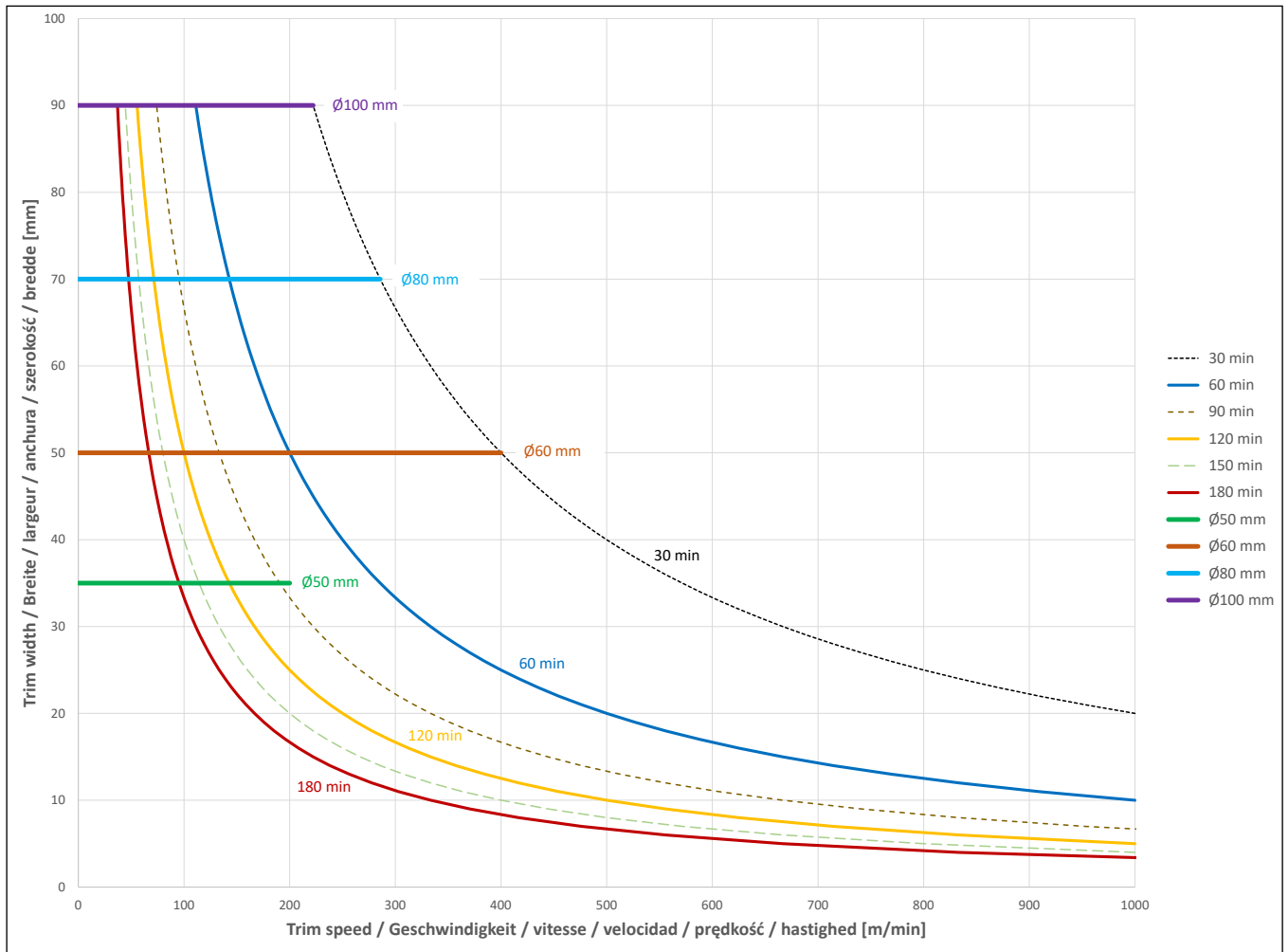
Bag filling time at 1 strip / Beutelfüllzeit bei 1 Streifen / Temps de remplissage du sac à 1 bande / Tiempo de llenado de la bolsa a 1 tira / Czas napełniania worka przy 1 taśmie / Pose fyldningstid ved 1 strimmel.

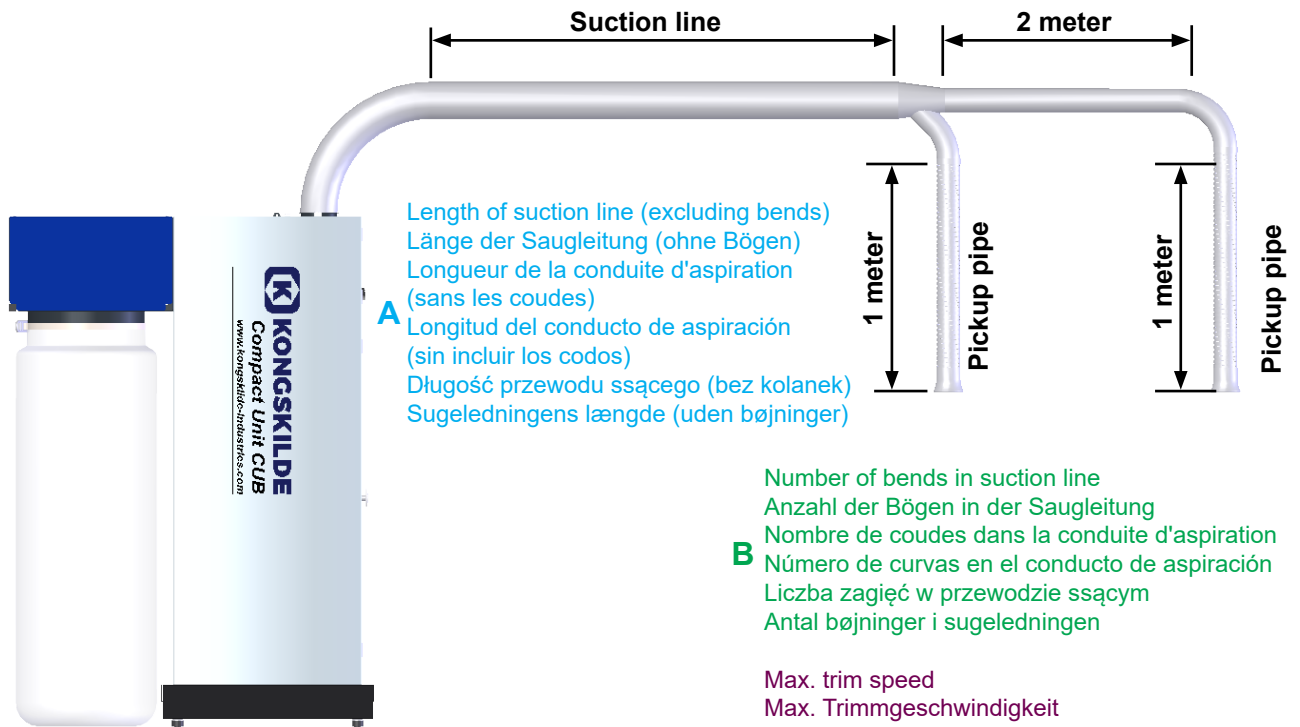
Bag volume 900 litres / Beutelvolumen 900 Liter / Volume du sac 900 litres / Volumen de la bolsa 900 litros / Pojemność worka 900 litrów / Posevolumen 900 liter



Bag filling time at 2 strips / Beutelfüllzeit bei 2 Streifen / Temps de remplissage du sac à 2 bande / Tiempo de llenado de la bolsa a 2 tira / Czas napełniania worka przy 2 taśmie / Pose fyldningstid ved 2 strimler.

Bag volume 900 litres / Beutelvolumen 900 Liter / Volume du sac 900 litres / Volumen de la bolsa 900 litros / Pojemność worka 900 litrów / Posevolumen 900 liter





A Length of suction line (excluding bends)
 Länge der Saugleitung (ohne Bögen)
 Longueur de la conduite d'aspiration (sans les coudes)
 Longitud del conducto de aspiración (sin incluir los codos)
 Długość przewodu ssącego (bez kolanek)
 Sugeledningens længde (uden bøjninger)

B Number of bends in suction line
 Anzahl der Bögen in der Saugleitung
 Nombre de coudes dans la conduite d'aspiration
 Número de curvas en el conducto de aspiración
 Liczba zagięć w przewodzie ssącym
 Antal bøjninger i sugeledning

C Max. trim speed
 Max. Trimmgeschwindigkeit
 Vitesse de trim max.
 Velocidad máxima de trimado
 Maksymalna prędkość trymowania
 Maks. trimhastighed

CUB 1620 / 150 µm plastic

A - Length of suction line [m] (excl. bends)

2 5 10 15 20 25 30 35

C - Max. trim speed [m/min]

B - Number of bends in suction line (R = 480mm)		A - Length of suction line [m] (excl. bends)							
		2	5	10	15	20	25	30	35
2	2 x Ø50 pickup + Ø80 suction line	700	600	500	400	300	200	150	100
	2 x Ø60 pickup + Ø100 suction line	750	700	600	550	500	400	350	300
	2 x Ø80 pickup + Ø125 suction line	450	400	350	300	250	200	200	150
3	2 x Ø50 pickup + Ø80 suction line	650	600	450	350	300	200	150	100
	2 x Ø60 pickup + Ø100 suction line	700	650	600	500	450	400	350	300
	2 x Ø80 pickup + Ø125 suction line	400	400	300	300	250	200	200	150
4	2 x Ø50 pickup + Ø80 suction line	600	550	450	350	250	200	100	100
	2 x Ø60 pickup + Ø100 suction line	700	650	550	500	450	400	300	300
	2 x Ø80 pickup + Ø125 suction line	400	350	300	250	200	200	150	100
5	2 x Ø50 pickup + Ø80 suction line	600	550	400	300	250	200	100	50
	2 x Ø60 pickup + Ø100 suction line	650	600	550	500	400	350	300	300
	2 x Ø80 pickup + Ø125 suction line	350	300	300	250	200	200	150	100
6	2 x Ø50 pickup + Ø80 suction line	550	500	400	300	200	150	100	50
	2 x Ø60 pickup + Ø100 suction line	650	600	500	450	400	350	300	250
	2 x Ø80 pickup + Ø125 suction line	300	300	250	200	200	150	100	100
7	2 x Ø50 pickup + Ø80 suction line	550	450	400	300	200	150	100	50
	2 x Ø60 pickup + Ø100 suction line	600	550	500	450	400	300	300	250
	2 x Ø80 pickup + Ø125 suction line	300	300	250	200	200	150	100	100
8	2 x Ø50 pickup + Ø80 suction line	500	450	350	250	200	150	100	50
	2 x Ø60 pickup + Ø100 suction line	600	550	500	400	350	300	300	200
	2 x Ø80 pickup + Ø125 suction line	300	250	200	200	150	100	100	50
9	2 x Ø50 pickup + Ø80 suction line	500	400	300	250	200	100	50	0
	2 x Ø60 pickup + Ø100 suction line	550	500	450	400	350	300	250	200
	2 x Ø80 pickup + Ø125 suction line	300	250	200	200	150	100	100	50
10	2 x Ø50 pickup + Ø80 suction line	450	400	300	200	150	100	50	0
	2 x Ø60 pickup + Ø100 suction line	550	500	450	400	300	300	250	200
	2 x Ø80 pickup + Ø125 suction line	250	200	200	150	100	100	50	50

Determining maximum trim speed from the suction line layout

Bestimmung der maximalen Trimmgeschwindigkeit anhand der Saugleitungsanordnung

Détermination de la vitesse maximale de trim à partir du tracé de la conduite d'aspiration

Determinación de la velocidad máxima de trimado a partir del trazado del conducto de aspiración

Określanie maksymalnej prędkości trymowania na podstawie układu przewodu ssącego

Bestemmelse af maksimal trimhastighed ud fra sugestregens layout

CUB 1620 / 300 µm plastic

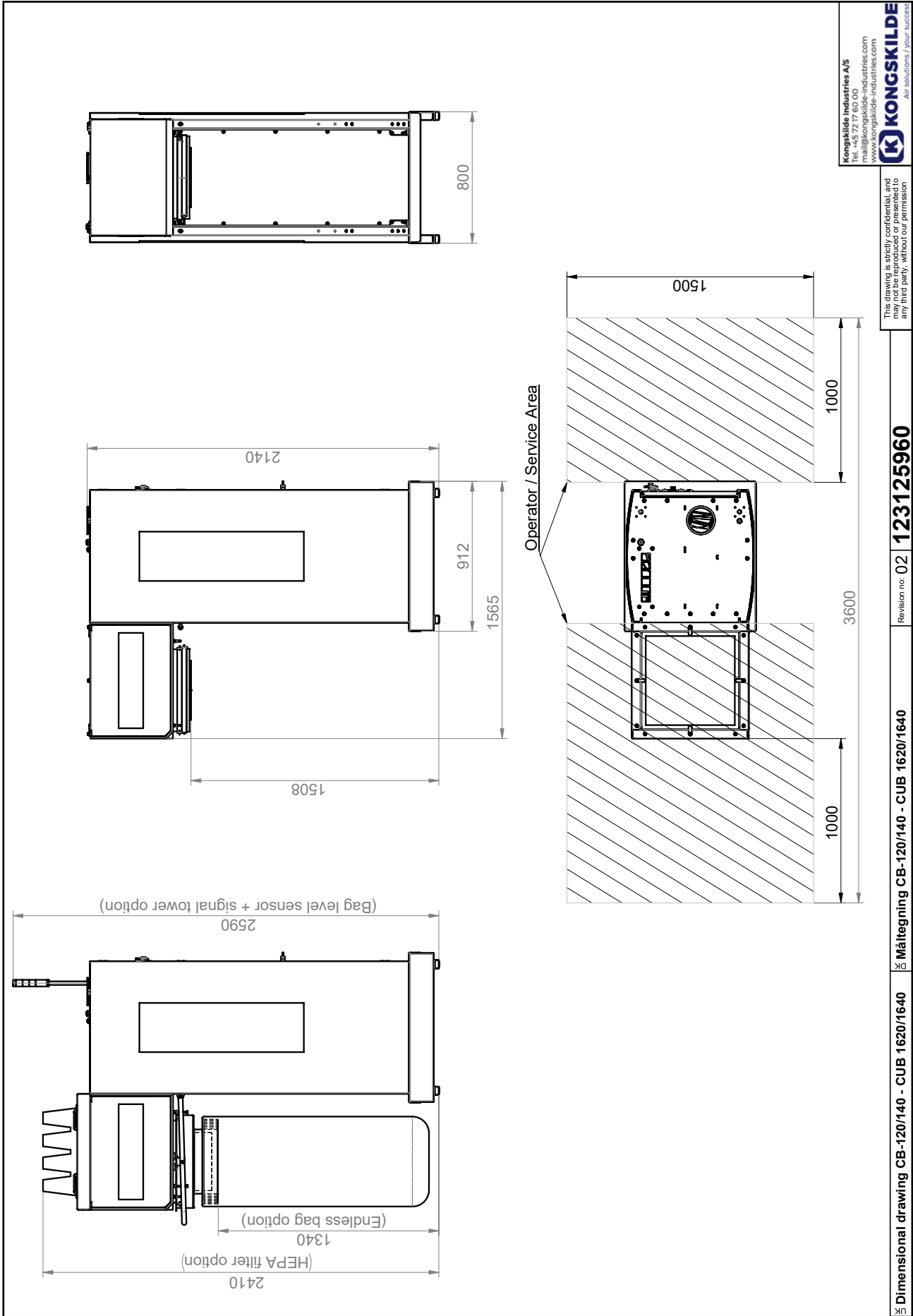
		A - Length of suction line [m] (excl. bends)								
		2	5	10	15	20	25	30	35	
		C - Max. trim speed [m/min]								
B - Number of bends in suction line (R = 480mm)	2	2 x Ø50 pickup + Ø80 suction line	400	300	150	50	0	0	0	0
		2 x Ø60 pickup + Ø100 suction line	450	400	300	200	150	100	0	0
		2 x Ø80 pickup + Ø125 suction line	100	50	0	0	0	0	0	0
	3	2 x Ø50 pickup + Ø80 suction line	350	250	100	0	0	0	0	0
		2 x Ø60 pickup + Ø100 suction line	400	350	250	200	100	50	0	0
		2 x Ø80 pickup + Ø125 suction line	2	0	0	0	0	0	0	0
	4	2 x Ø50 pickup + Ø80 suction line	300	200	100	0	0	0	0	0
		2 x Ø60 pickup + Ø100 suction line	400	300	200	150	100	50	0	0
		2 x Ø80 pickup + Ø125 suction line	0	0	0	0	0	0	0	0
	5	2 x Ø50 pickup + Ø80 suction line	300	200	50	0	0	0	0	0
		2 x Ø60 pickup + Ø100 suction line	350	300	200	150	100	0	0	0
		2 x Ø80 pickup + Ø125 suction line	0	0	0	0	0	0	0	0
	6	2 x Ø50 pickup + Ø80 suction line	200	150	50	0	0	0	0	0
		2 x Ø60 pickup + Ø100 suction line	300	250	200	100	50	0	0	0
		2 x Ø80 pickup + Ø125 suction line	0	0	0	0	0	0	0	0
	7	2 x Ø50 pickup + Ø80 suction line	200	100	0	0	0	0	0	0
		2 x Ø60 pickup + Ø100 suction line	300	250	150	100	0	0	0	0
		2 x Ø80 pickup + Ø125 suction line	0	0	0	0	0	0	0	0
	8	2 x Ø50 pickup + Ø80 suction line	0	0	0	0	0	0	0	0
		2 x Ø60 pickup + Ø100 suction line	250	200	100	50	0	0	0	0
		2 x Ø80 pickup + Ø125 suction line	0	0	0	0	0	0	0	0
	9	2 x Ø50 pickup + Ø80 suction line	0	0	0	0	0	0	0	0
		2 x Ø60 pickup + Ø100 suction line	200	150	100	50	0	0	0	0
		2 x Ø80 pickup + Ø125 suction line	0	0	0	0	0	0	0	0
	10	2 x Ø50 pickup + Ø80 suction line	0	0	0	0	0	0	0	0
		2 x Ø60 pickup + Ø100 suction line	200	150	100	0	0	0	0	0
		2 x Ø80 pickup + Ø125 suction line	0	0	0	0	0	0	0	0

CUB 1640 / 150 µm plastic

		A - Length of suction line [m] (excl. bends)								
		2	5	10	15	20	25	30	35	
		C - Max. trim speed [m/min]								
B - Number of bends in suction line (R = 480mm)	2	2 x Ø50 pickup + Ø80 suction line	900	850	700	600	500	450	350	300
		2 x Ø60 pickup + Ø100 suction line	950	950	850	750	700	650	600	550
		2 x Ø80 pickup + Ø125 suction line	750	700	650	600	550	500	450	400
		2 x Ø100 pickup + Ø160 suction line	450	450	450	400	400	400	350	350
	3	2 x Ø50 pickup + Ø80 suction line	850	800	700	600	500	400	350	300
		2 x Ø60 pickup + Ø100 suction line	950	900	800	750	700	600	550	500
		2 x Ø80 pickup + Ø125 suction line	700	650	600	550	500	450	400	400
		2 x Ø100 pickup + Ø160 suction line	450	450	450	450	450	350	350	300
	4	2 x Ø50 pickup + Ø80 suction line	850	750	650	550	500	400	300	300
		2 x Ø60 pickup + Ø100 suction line	900	850	800	700	650	600	550	500
		2 x Ø80 pickup + Ø125 suction line	650	650	600	550	500	450	400	400
		2 x Ø100 pickup + Ø160 suction line	450	450	400	400	400	350	300	300
	5	2 x Ø50 pickup + Ø80 suction line	800	750	650	550	450	400	300	250
		2 x Ø60 pickup + Ø100 suction line	900	850	750	700	650	600	550	500
		2 x Ø80 pickup + Ø125 suction line	650	600	550	500	450	400	400	350
		2 x Ø100 pickup + Ø160 suction line	450	400	400	400	350	350	300	300
	6	2 x Ø50 pickup + Ø80 suction line	750	700	600	500	450	350	300	250
		2 x Ø60 pickup + Ø100 suction line	850	800	750	700	600	550	500	500
		2 x Ø80 pickup + Ø125 suction line	600	600	550	500	450	400	350	300
		2 x Ø100 pickup + Ø160 suction line	400	400	400	400	350	350	300	300
	7	2 x Ø50 pickup + Ø80 suction line	750	700	600	500	400	350	300	200
		2 x Ø60 pickup + Ø100 suction line	850	800	750	650	600	550	500	450
		2 x Ø80 pickup + Ø125 suction line	600	550	500	450	400	400	350	300
		2 x Ø100 pickup + Ø160 suction line	400	400	400	350	350	300	300	300
	8	2 x Ø50 pickup + Ø80 suction line	700	650	550	500	400	300	300	200
		2 x Ø60 pickup + Ø100 suction line	800	750	700	650	600	550	500	450
		2 x Ø80 pickup + Ø125 suction line	550	550	500	450	400	350	300	300
		2 x Ø100 pickup + Ø160 suction line	400	400	400	350	300	300	300	300
	9	2 x Ø50 pickup + Ø80 suction line	700	650	550	450	400	300	250	200
		2 x Ø60 pickup + Ø100 suction line	800	750	650	600	550	500	450	400
		2 x Ø80 pickup + Ø125 suction line	550	500	450	400	400	350	300	300
		2 x Ø100 pickup + Ø160 suction line	400	400	350	350	300	300	300	300
	10	2 x Ø50 pickup + Ø80 suction line	650	600	500	450	400	300	250	200
		2 x Ø60 pickup + Ø100 suction line	750	700	650	600	550	500	450	400
		2 x Ø80 pickup + Ø125 suction line	550	500	450	400	350	300	300	250
		2 x Ø100 pickup + Ø160 suction line	400	400	350	300	300	300	300	300

CUB 1640 / 300 µm plastic

		A - Length of suction line [m] (excl. bends)								
		2	5	10	15	20	25	30	35	
		C - Max. trim speed [m/min]								
B - Number of bends in suction line (R = 480mm)	2	2 x Ø50 pickup + Ø80 suction line	650	550	400	300	200	100	0	0
		2 x Ø60 pickup + Ø100 suction line	750	650	550	500	400	300	250	200
		2 x Ø80 pickup + Ø125 suction line	450	400	300	250	200	150	100	50
		2 x Ø100 pickup + Ø160 suction line	100	100	100	50	50	0	0	0
	3	2 x Ø50 pickup + Ø80 suction line	600	550	400	250	150	100	0	0
		2 x Ø60 pickup + Ø100 suction line	700	650	550	450	400	300	250	200
		2 x Ø80 pickup + Ø125 suction line	400	350	300	250	200	100	100	50
		2 x Ø100 pickup + Ø160 suction line	100	100	50	50	0	0	0	0
	4	2 x Ø50 pickup + Ø80 suction line	600	500	350	250	150	50	0	0
		2 x Ø60 pickup + Ø100 suction line	650	600	500	400	350	300	200	150
		2 x Ø80 pickup + Ø125 suction line	400	350	300	200	150	100	50	0
		2 x Ø100 pickup + Ø160 suction line	100	100	50	50	0	0	0	0
	5	2 x Ø50 pickup + Ø80 suction line	550	450	300	200	100	0	0	0
		2 x Ø60 pickup + Ø100 suction line	600	550	500	400	300	250	200	150
		2 x Ø80 pickup + Ø125 suction line	300	250	200	150	100	50	0	0
		2 x Ø100 pickup + Ø160 suction line	100	100	50	50	0	0	0	0
	6	2 x Ø50 pickup + Ø80 suction line	500	400	300	200	100	0	0	0
		2 x Ø60 pickup + Ø100 suction line	600	550	450	400	300	250	200	100
		2 x Ø80 pickup + Ø125 suction line	300	250	200	150	100	50	0	0
		2 x Ø100 pickup + Ø160 suction line	100	50	50	0	0	0	0	0
	7	2 x Ø50 pickup + Ø80 suction line	450	400	300	150	100	0	0	0
		2 x Ø60 pickup + Ø100 suction line	550	500	400	350	300	200	150	100
		2 x Ø80 pickup + Ø125 suction line	300	250	200	100	100	50	0	0
		2 x Ø100 pickup + Ø160 suction line	50	50	0	0	0	0	0	0
	8	2 x Ø50 pickup + Ø80 suction line	450	350	250	150	50	0	0	0
		2 x Ø60 pickup + Ø100 suction line	550	500	400	300	250	200	150	100
		2 x Ø80 pickup + Ø125 suction line	250	200	150	100	50	0	0	0
		2 x Ø100 pickup + Ø160 suction line	50	50	0	0	0	0	0	0
	9	2 x Ø50 pickup + Ø80 suction line	400	300	200	100	50	0	0	0
		2 x Ø60 pickup + Ø100 suction line	500	450	400	300	250	200	100	100
		2 x Ø80 pickup + Ø125 suction line	200	200	100	100	50	0	0	0
		2 x Ø100 pickup + Ø160 suction line	50	50	0	0	0	0	0	0
	10	2 x Ø50 pickup + Ø80 suction line	400	300	200	100	0	0	0	0
		2 x Ø60 pickup + Ø100 suction line	450	400	350	300	200	150	100	50
		2 x Ø80 pickup + Ø125 suction line	200	150	100	50	0	0	0	0
		2 x Ø100 pickup + Ø160 suction line	50	0	0	0	0	0	0	0



EU Declaration of Conformity

**Kongskilde Industries A/S,
Skælskørvej 64, 4180 Sorø - DK**
Hereby declare that:

Kongskilde All-in-one unit, type CUB

are designed and produced in conformity with the following EU-directives and regulations:

- Machinery Directive 2006/42/EU
- Electro Magnetic Compatibility Directive 2014/30/EU

EU-Konformitätserklärung

**Kongskilde Industries A/S,
Skælskørvej 64, 4180 Sorø - DK**
Erkläre hiermit, daß:

Kongskilde All-in-one unit, Typ CUB

werden in Übereinstimmung mit den folgenden EG-Richtlinien und Verordnungen entwickelt und hergestellt:

- Maschinen-Richtlinie 2006/42/EU
- EMC-Richtlinie 2014/30/EU

Déclaration de conformité EU

**Kongskilde Industries A/S,
Skælskørvej 64, 4180 Sorø - DK**
Déclare par la présente que:

Kongskilde All-in-one unit, type CUB

sont conçues et produites en conformité avec les directives et réglementations européennes suivantes :

- Directive sur les machines 2006/42/EU
- Directive sur la compatibilité électromagnétique 2014/30/EU

Declaración de conformidad EU

**Kongskilde Industries A/S,
Skælskørvej 64, 4180 Sorø - DK**
Por la presente declaro que:

Kongskilde All-in-one unit, tipo CUB

están diseñados y fabricados de conformidad con las siguientes directivas y reglamentos de la CE:

- Directiva de Máquinas 2006/42/EU
- Directiva de Compatibilidad Electromagnética 2014/30/EU

Deklaracja Zgodności UE

**Kongskilde Industries A/S,
Skælskørvej 64, 4180 Sorø - DK**
Niniejszym deklaruje, że:

Kongskilde All-in-one unit, typu CUB

zostały zaprojektowane i wyprodukowane zgodnie z następującymi dyrektywami i przepisami WE:

- Dyrektywa maszynowa 2006/42/EU
- Dyrektywa w sprawie kompatybilności elektromagnetycznej 2014/30/EU

EU-overensstemmelseserklæring

**Kongskilde Industries A/S,
Skælskørvej 64, 4180 Sorø - DK**
Erklærer hermed, at:

Kongskilde All-in-one unit, type CUB

er designet og produceret i overensstemmelse med følgende EU direktiver og bestemmelser:

- Maskindirektivet 2006/42/EU
- Direktiv om elektromagnetisk kompatibilitet 2014/30/EU

Dichiarazione EU di conformità

**Kongskilde Industries A/S,
Skælskørvej 64, 4180 Sorø - DK**
Con la presente si dichiara che:

Kongskilde All-in-one unit, type CUB

sono progettati e prodotti in conformità alle seguenti direttive e regolamenti CE:

- Direttiva Macchine 2006/42/EU
- Direttiva sulla compatibilità elettromagnetica 2014/30/EU

EU Verklaring van Overeenstemming

**Kongskilde Industries A/S,
Skælskørvej 64, 4180 Sorø - DK**
Verklaren hierbij dat:

Kongskilde All-in-one unit, type CUB

zijn ontworpen en geproduceerd in overeenstemming met de volgende EG-richtlijnen en verordeningen:

- Machinerichtlijn 2006/42/EU
- Richtlijn Elektromagnetische Compatibiliteit 2014/30/EU

EU-försäkran om överensstämmelse

**Kongskilde Industries A/S,
Skælskørvej 64, 4180 Sorø - DK**
Härmed försäkras att:

Kongskildes All-in-one unit, typ CUB

är konstruerade och tillverkade i enlighet med följande EG-direktiv och förordningar:

- Maskindirektivet 2006/42/EU
- Direktiv om elektromagnetisk kompatibilitet 2014/30/EU

**Kongskilde Industries A/S
Sorø 01.07.2025**



**Oscar William Gunner
CEO**

Kongskilde Industries A/S
Skælskørvej 64
DK - 4180 Sorø
Tel. +45 72 17 60 00
mail@kongskilde-industries.com
www.kongskilde-industries.com

