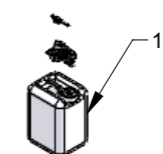
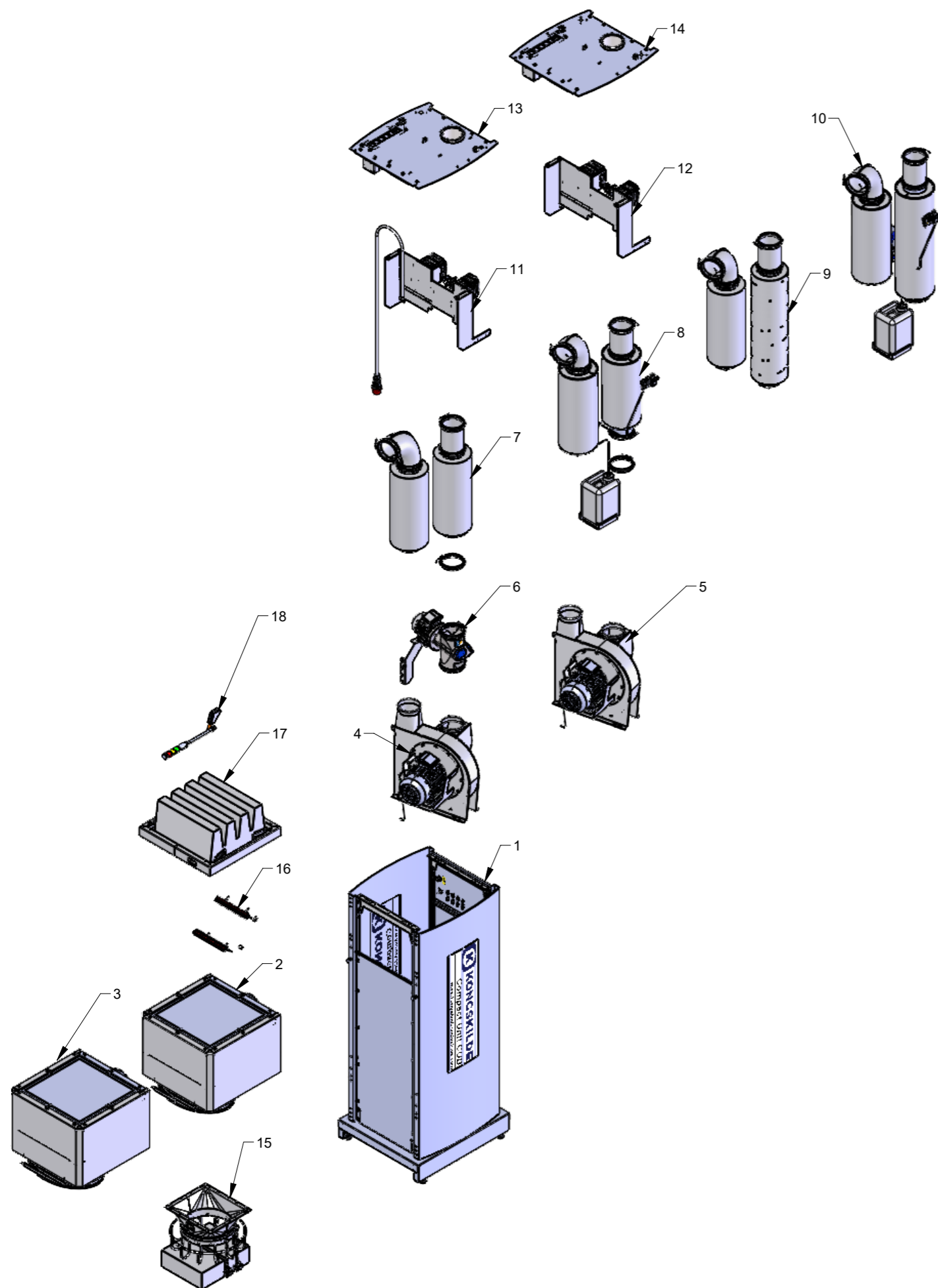


# Compact Unit CUB 1620/1640

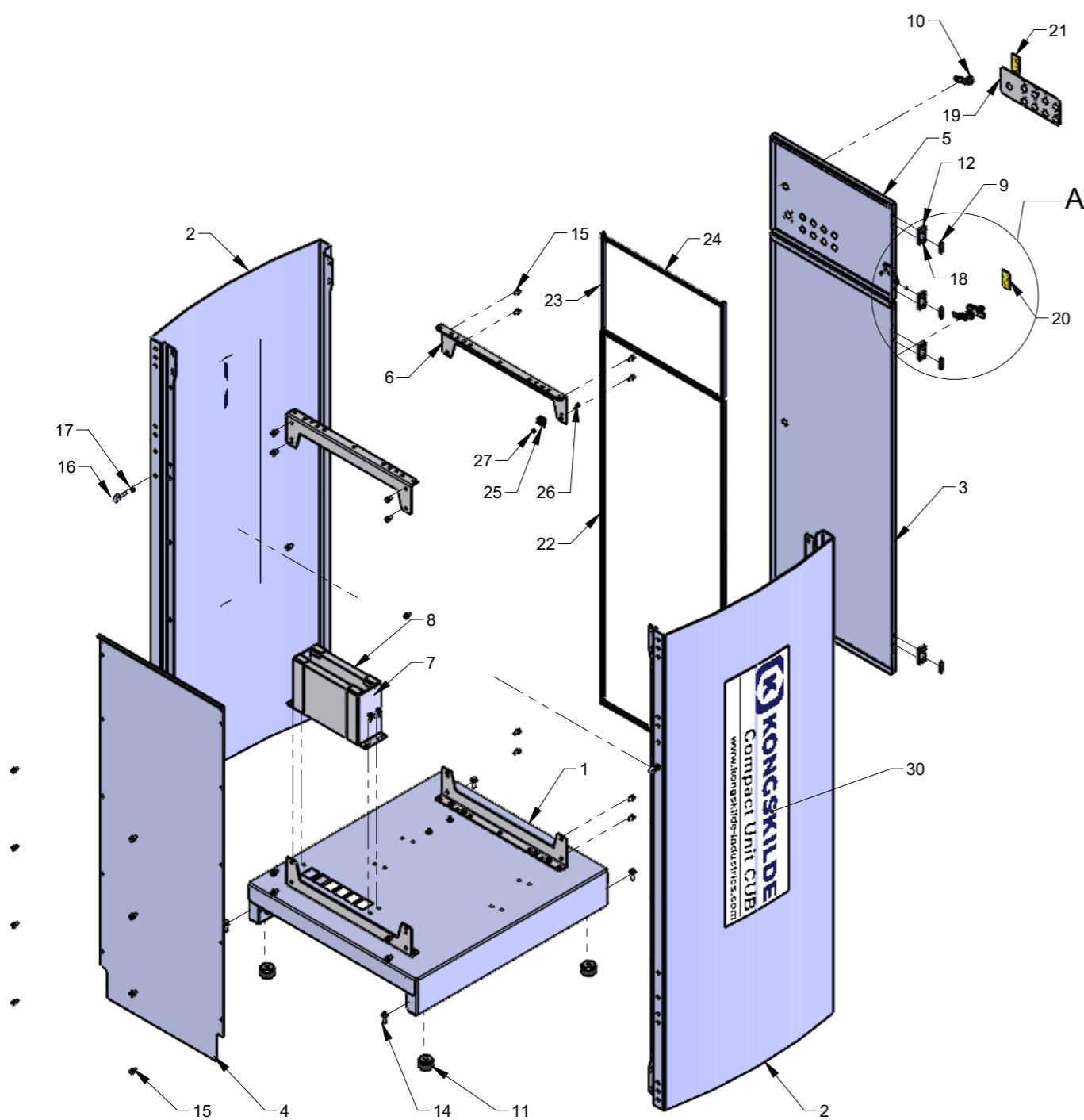
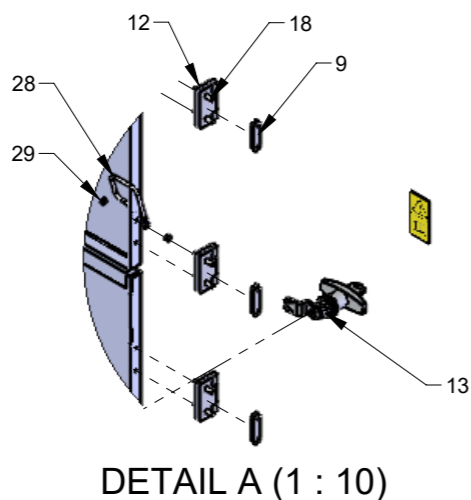
All-in-one unit



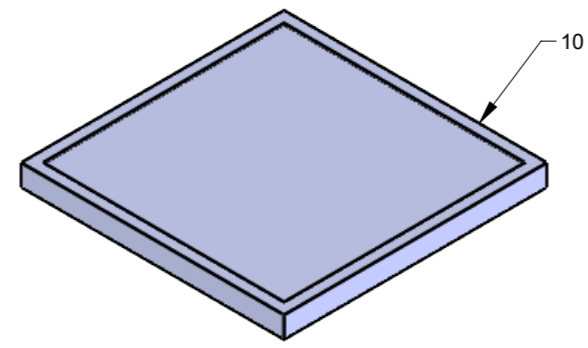
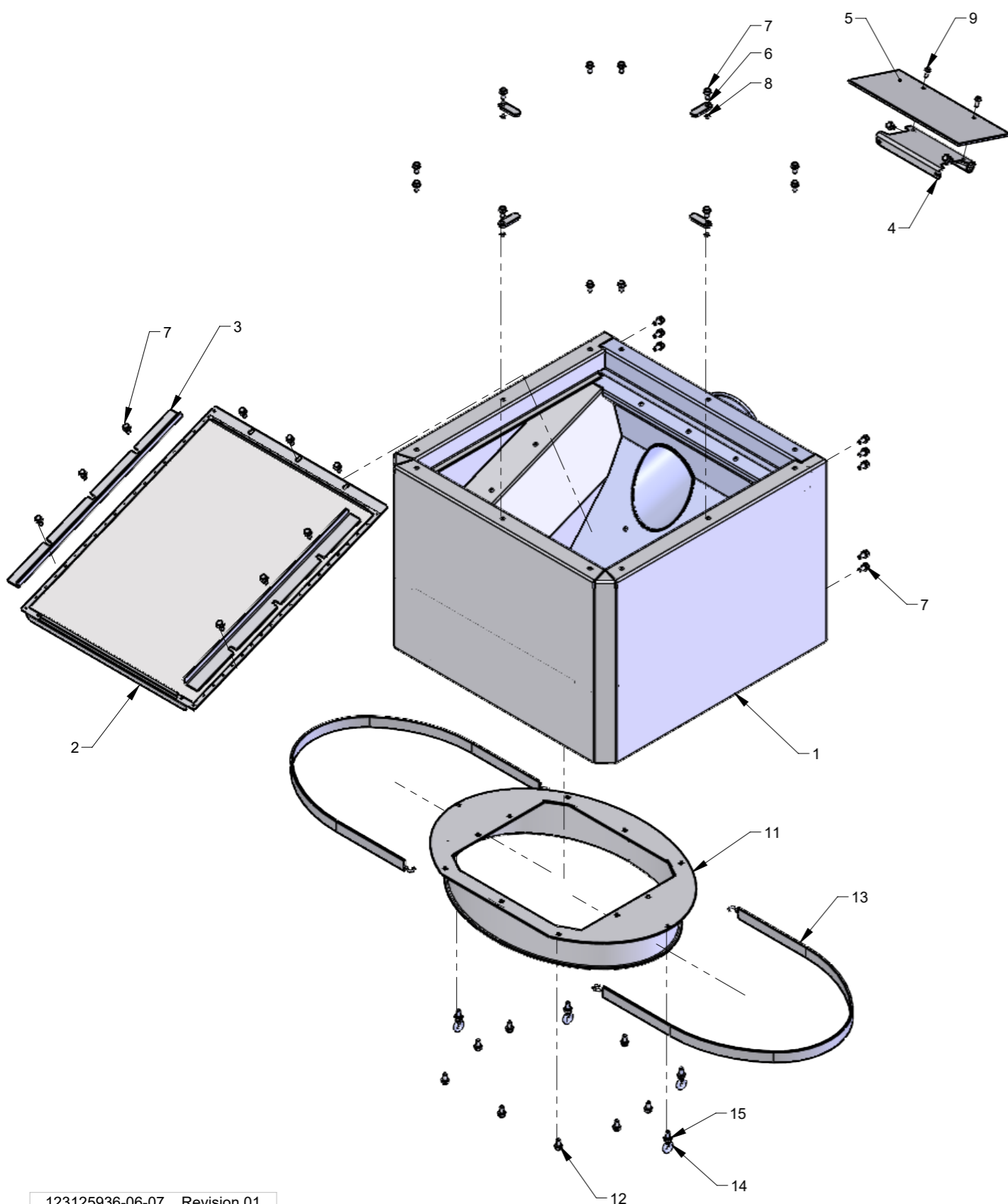
Spare parts list (from sales no. 123125708)



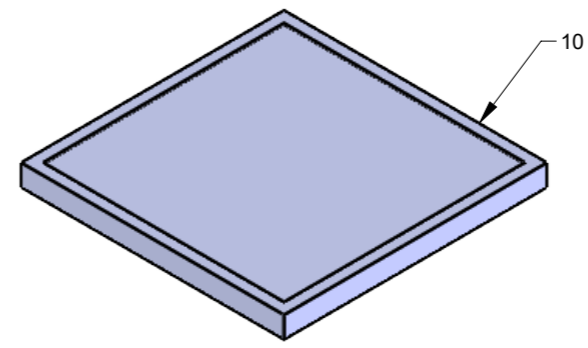
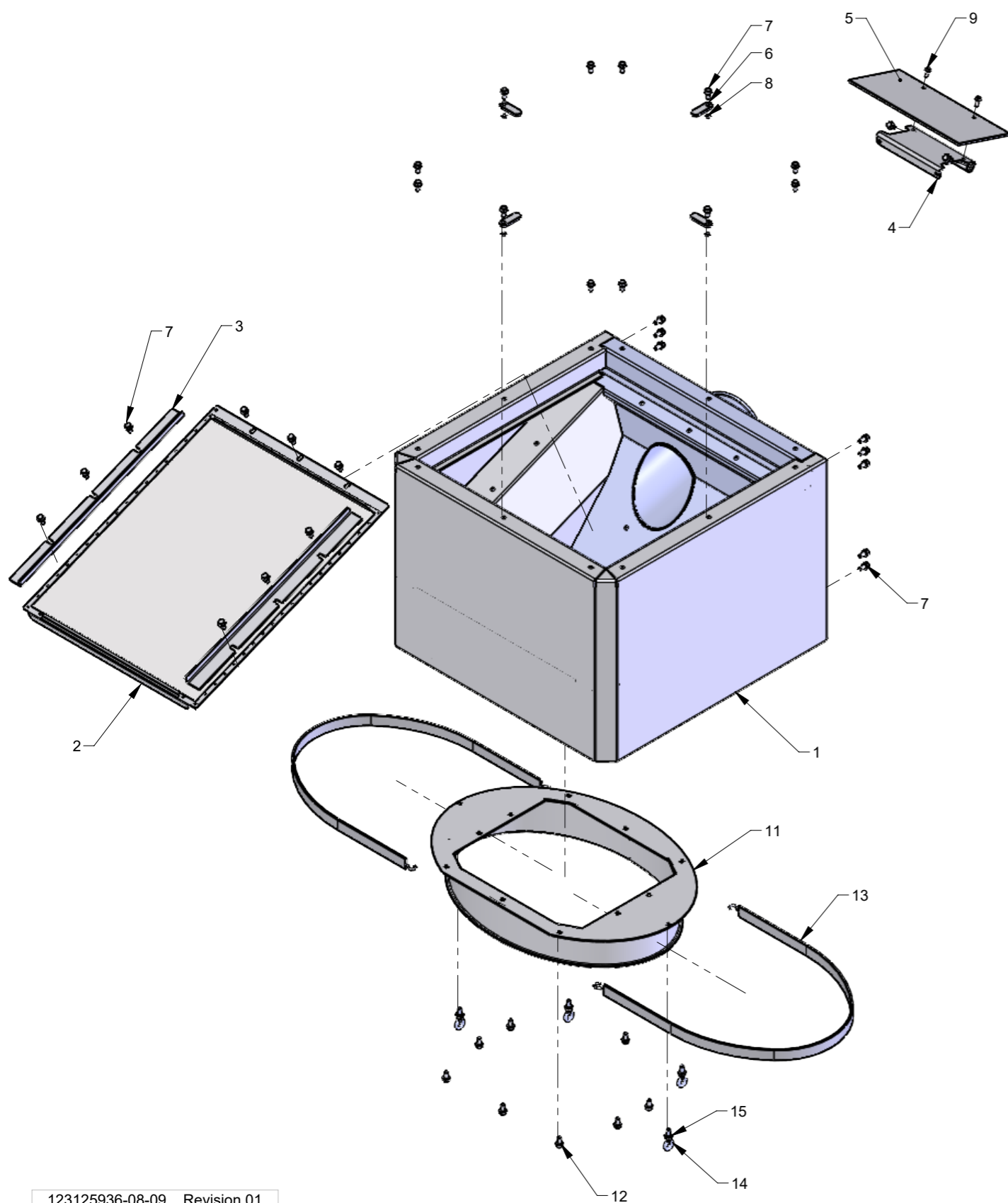
| Pos. | Spare parts list - page | Description                             |
|------|-------------------------|---|
| 1    | 1 123125936-04-05       | Cabinet                                 |
| 1    | 2 123125936-06-07       | Separator with filter                   |
| 1    | 3 123125936-08-09       | Non-stick Separator with filter         |
| 1    | 4 123125936-10-11       | Blower                                  |
| 1    | 5 123125936-12-13       | Non-stick blower                        |
| 1    | 6 123125936-14-15       | Cutter                                  |
| 1    | 7 123125936-16-17       | Pipes and silencers                     |
| 1    | 8 123125936-18-19       | Lubrication module                      |
| 1    | 9 123125936-20-21       | Pipes and silencers excl. cutter        |
| 1    | 10 123125936-22-23      | Lubrication module excl. cutter         |
| 1    | 11 123125936-24-25      | Controls CE                             |
| 1    | 12 123125936-26-27      | Controls UL/CSA                         |
| 1    | 13 123125936-28-29      | Top for cabinet                         |
| 1    | 14 123125936-30-31      | Non-stick top for cabinet               |
| 1    | 15 123125936-32-33      | Endless bag module                      |
| 1    | 16 123125936-34-35      | Antistatic accessory                    |
| 1    | 17 123125936-36-37      | HEPA filter module                      |
| 1    | 18 123125936-38-39      | Distance sensor and signal tower module |
| 1    | 19 123125936-40-41      | CB/CUB non-stick oil accessory kit      |



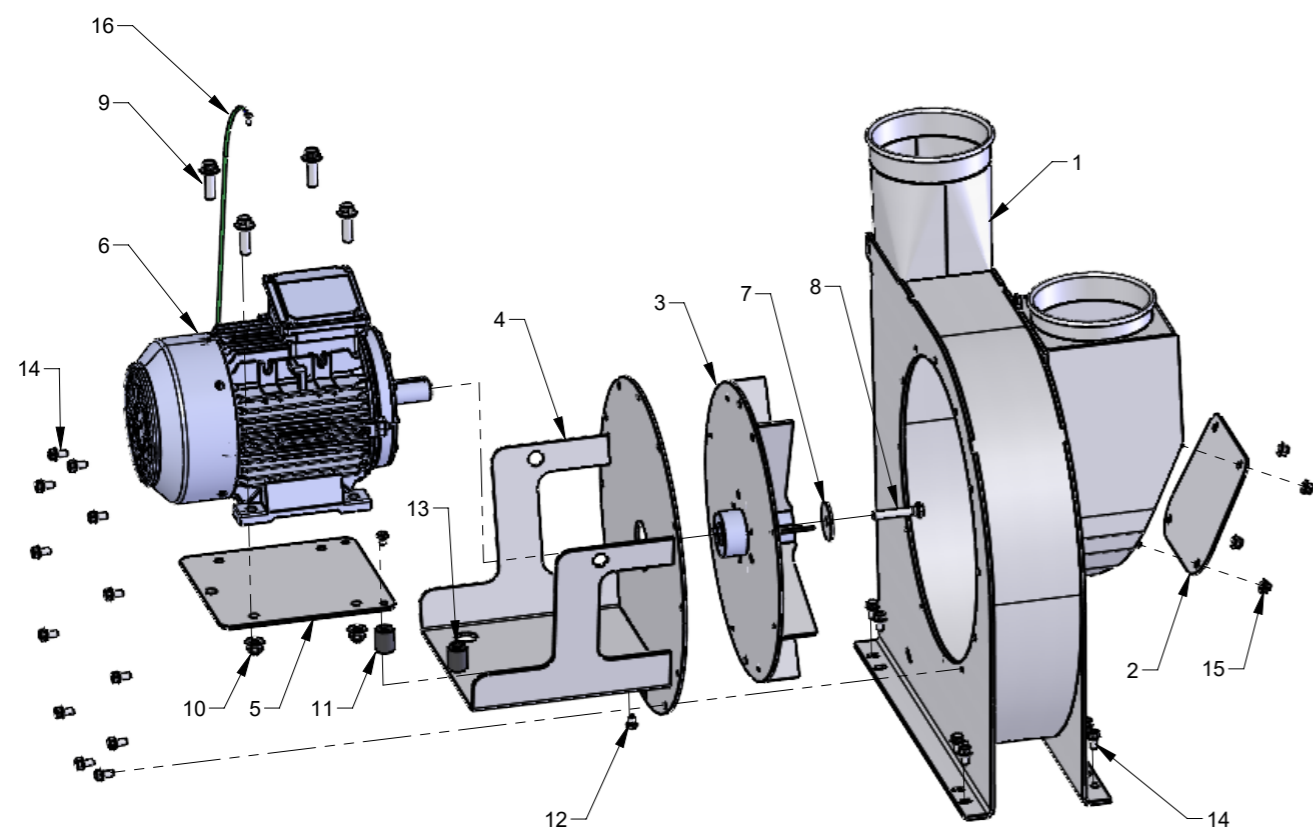
| Pos. | Pcs. | Part no.  | Description  |
|------|------|-----------|--|
| 1    | 1    | 123125210 | Bottom frame, black  |
| 2    | 2    | 123125211 | Side panel, spaceblue  |
| 3    | 1    | 123125212 | Door, cobalt blue  |
| 4    | 1    | 123125159 | Rear panel, cobalt blue  |
| 5    | 1    | 123125214 | Door for controls, cobalt blue                                 |
| 6    | 4    | 123125151 | Mounting bracket   |
| 7    | 2    | 123125155 | Sound dampener bracket   |
| 8    | 2    | 123125156 | Silencer foam  |
| 9    | 4    | 123125170 | Threaded bracket for hinges                                    |
| 10   | 1    | 100323489 | Turnlock Klee CQ/T-M22x1,5-45-30 with key                      |
| 11   | 4    | 100323329 | Vibration damper Ø50x35  |
| 12   | 4    | 123125117 | Hinge for door, black  |
| 13   | 1    | 100323486 | Door latch GN 115-SCT-30-SW with key                           |
| 14   | 4    | 100308173 | Flange set screw M10x30mm DIN 6921, elgalvanized               |
| 15   | 40   | 100323453 | Thread forming flange screw M8x16 DIN 7500D                    |
| 16   | 2    | 100323301 | Eye Bolt M8 X 30   |
| 17   | 2    | 100316098 | Flange nut without teeth M8 DIN6923 elgv                       |
| 18   | 16   | 100321060 | Countersunk screw M5x16 ISO 14581elgalv.                       |
| 19   | 1    | 123125953 | Label "Operator panel", black on white                         |
| 20   | 1    | 121115071 | Label "Read users manual", black on yellow                     |
| 21   | 1    | 121115073 | Label "Disconnect electricity before service", black on yellow |
| 22   | 1    | 100203165 | Edge sealing for door  |
| 23   | 2    | 100203165 | Edge sealing 1 for controls door                               |
| 24   | 1    | 100203166 | Edge sealing 2 for controls door                               |
| 25   | 1    | 100420022 | Rubberclamp HD 1300-5  |
| 26   | 1    | 100321016 | Round head screw M6X20-T30 ELGV. DIN7985                       |
| 27   | 1    | 100316075 | Flange nut with threadlock M6 DIN 6927                         |
| 28   | 1    | 123125298 | Earthing wire for door with ring terminals                     |
| 29   | 2    | 100315005 | Nut M5 ISO 4032  |
| 30   | 2    | 123125951 | Label "KONGSKILDE Compact Unit CUB", cut cobaltblue/black      |



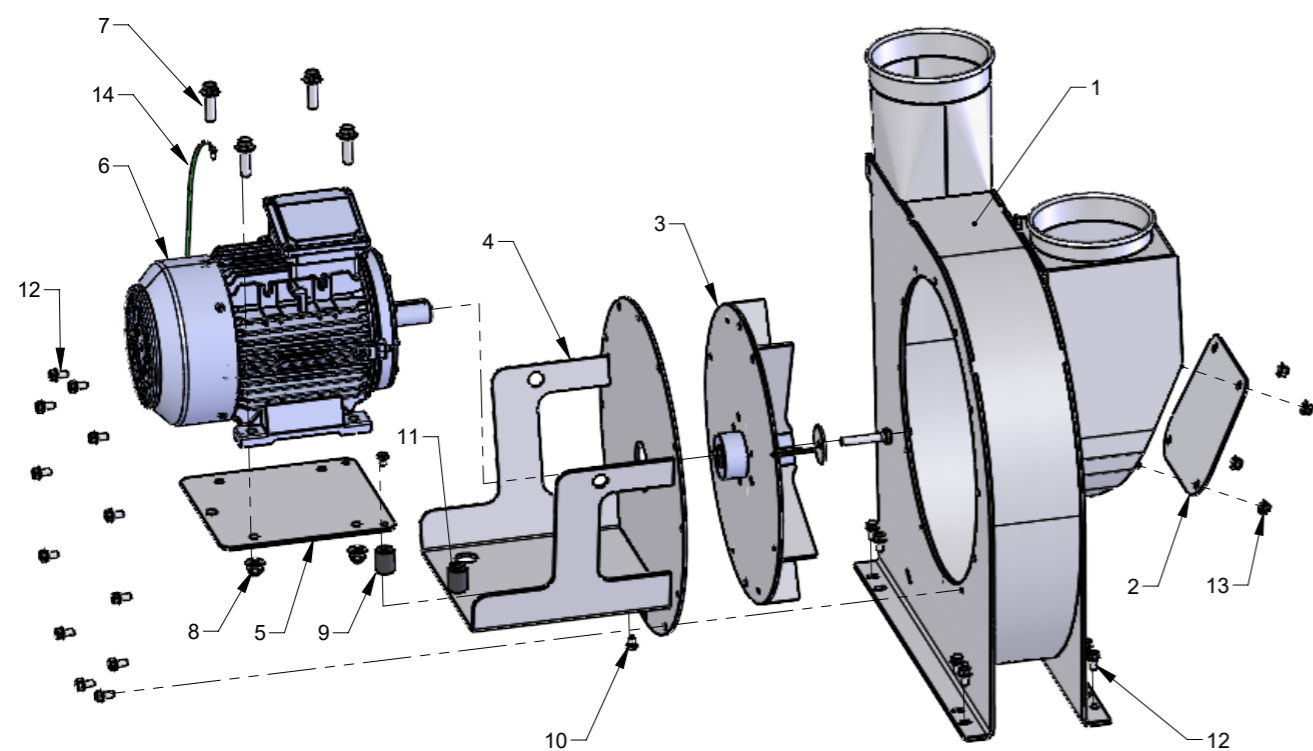
| Pos. | Pcs. | Part no.  | Description   |
|------|------|-----------|---|
| 1    | 1    | 123125225 | Separator T3, cobalt blue                           |
| 2    | 1    | 123125227 | Screen 22° welded for outlet T3                     |
| 3    | 2    | 123125230 | Locking plate for screen                            |
| 4    | 1    | 123125231 | Guiding plate bracket for outlet T3                 |
| 5    | 1    | 123125473 | Guide plate   |
| 6    | 4    | 123125157 | Locking plate for filter                            |
| 7    | 33   | 100323453 | Thread forming flange screw M8x16 DIN 7500D         |
| 8    | 4    | 100413068 | O-ring Ø7,6 x 2,62                                  |
| 9    | 2    | 100323450 | Thread forming flange screw M6x16 DIN 7500D         |
| 10   | 1    | 100203148 | Prefilter 3GPA 592x592x48-F7-0-VEX                  |
| 11   | 1    | 123125232 | Bag holder, welded                                  |
| 12   | 8    | 100323453 | Thread forming flange screw M8x16 DIN 7500D         |
| 13   | 2    | 100323496 | Rubberstrap with hooks 120cm black                  |
| 14   | 4    | 100323301 | Eye Bolt M8 X 30                                    |
| 15   | 4    | 100316108 | Flange nut with threadlock M8 ISO 7044 elgalvanized |



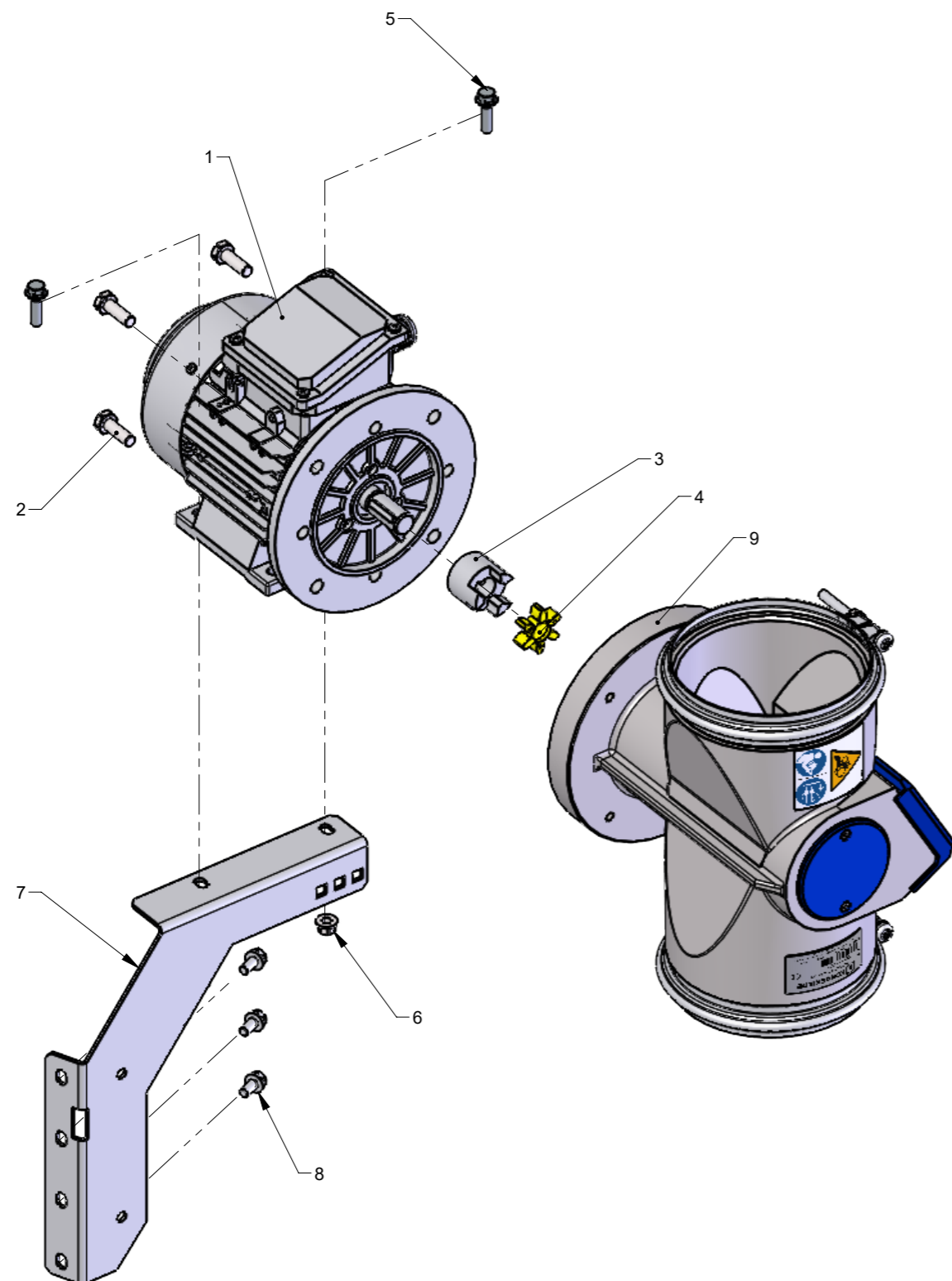
| Pos. | Pcs. | Part no.  | Description   |
|------|------|-----------|---|
| 1    | 1    | 123125241 | Separator T3 non-stick, cobalt blue                 |
| 2    | 1    | 123125227 | Screen 22° welded for outlet T3                     |
| 3    | 2    | 123125230 | Locking plate for screen                            |
| 4    | 1    | 123125231 | Guiding plate bracket for outlet T3                 |
| 5    | 1    | 123125473 | Guide plate   |
| 6    | 4    | 123125157 | Locking plate for filter                            |
| 7    | 33   | 100323453 | Thread forming flange screw M8x16 DIN 7500D         |
| 8    | 4    | 100413068 | O-ring Ø7,6 x 2,62                                  |
| 9    | 2    | 100323450 | Thread forming flange screw M6x16 DIN 7500D         |
| 10   | 1    | 100203148 | Prefilter 3GPA 592x592x48-F7-0-VEX                  |
| 11   | 1    | 123125232 | Bag holder, welded                                  |
| 12   | 8    | 100323453 | Thread forming flange screw M8x16 DIN 7500D         |
| 13   | 2    | 100323496 | Rubberstrap with hooks 120cm black                  |
| 14   | 4    | 100323301 | Eye Bolt M8 X 30                                    |
| 15   | 4    | 100316108 | Flange nut with threadlock M8 ISO 7044 elgalvanized |



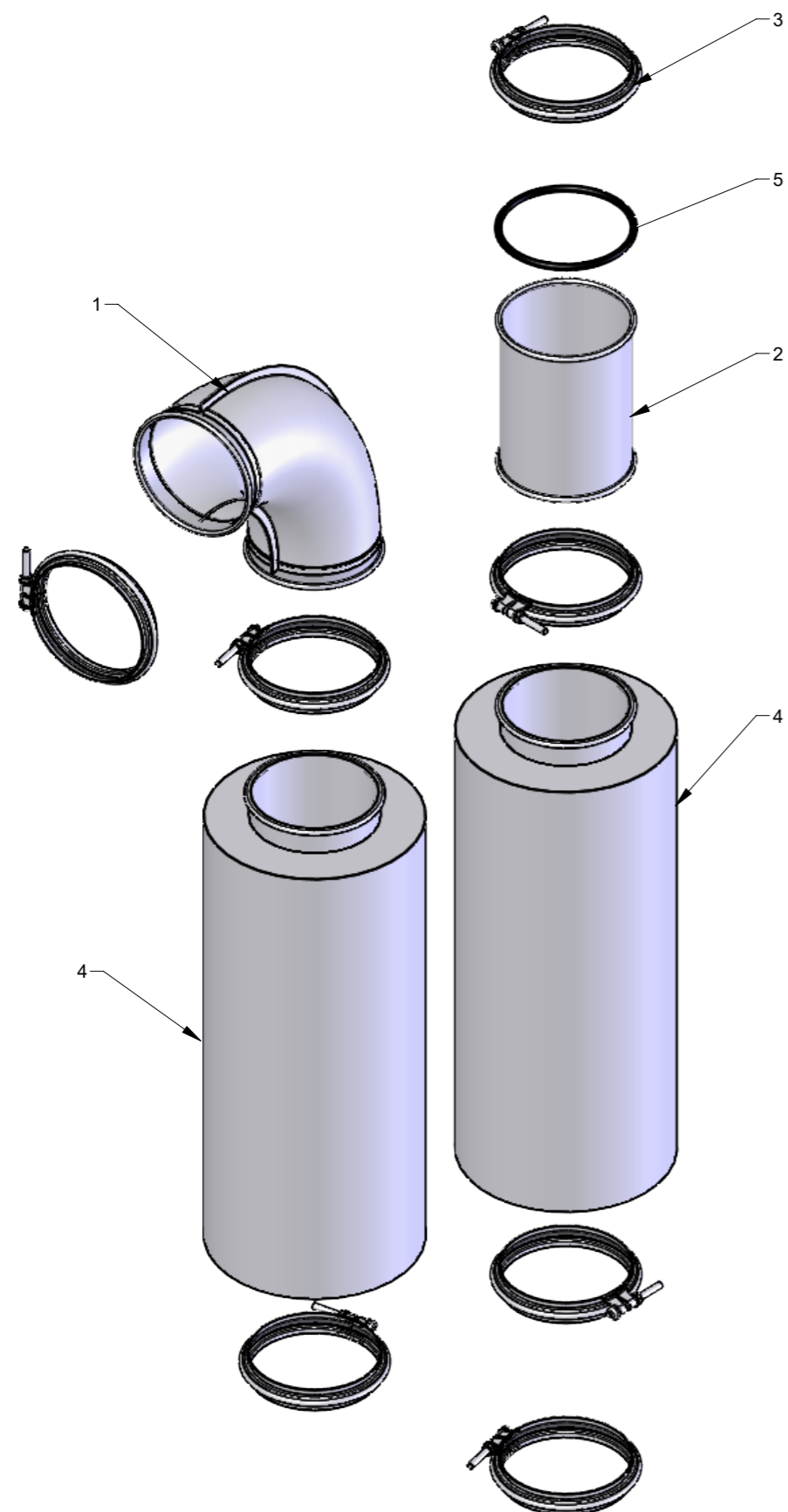
| Pos. | Pcs. | Part no.  | Description  |
|------|------|-----------|--|
| 1    | 1    | 123125209 | Blower cabinet welded, spaceblue                                   |
| 2    | 1    | 123125136 | Inspection hatch, spaceblue  |
| 3    | 1    | 123125146 | Rotor M Ø400-Ø28   |
| 4    | 1    | 123125141 | Motor bracket, spaceblue   |
| 5    | 1    | 123125143 | Motor plate for B3 motor, spaceblue                                |
| 6    | 1    | 100501089 | AC Motor 112M-2p B3 4(4)kW 3x400/690(460)V 50(60)Hz IE3 UL/CSA PTC |
| 7    | 1    | 121000060 | Washer Ø52 / Ø11 x 3mm   |
| 8    | 1    | 100308050 | Set screw M10x60 DIN 933 NV17 elgv                                 |
| 9    | 4    | 100308209 | Flange set screw M12x40 DIN 6921 NV16 elgalv                       |
| 10   | 4    | 100316103 | Flange nut with threadlock M12 DIN 6926 elgv                       |
| 11   | 3    | 100323492 | Vibration damper Ø25 x L30   |
| 12   | 5    | 100304009 | Set screw M8 x 10mm DIN 933, elgalvanized                          |
| 13   | 1    | 100309049 | Countersunk screw M8x10 ISO 10642                                  |
| 14   | 20   | 100323453 | Thread forming flange screw M8x16 DIN 7500D                        |
| 15   | 4    | 100316108 | Flange nut with threadlock M8 ISO 7044 elgalvanized                |
| 16   | 1    | 123125296 | Earthing cable for motor with ringterminals                        |
| 17   | 4    | 100323498 | Self clinching stud screw M8x20 BN20523                            |



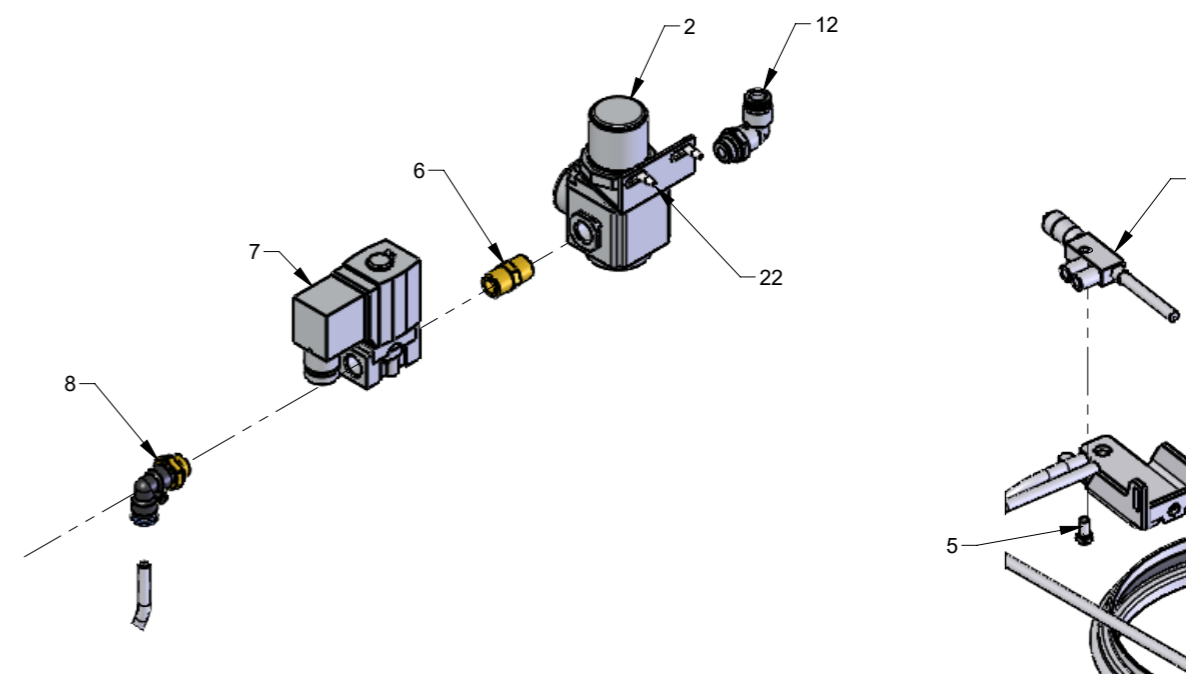
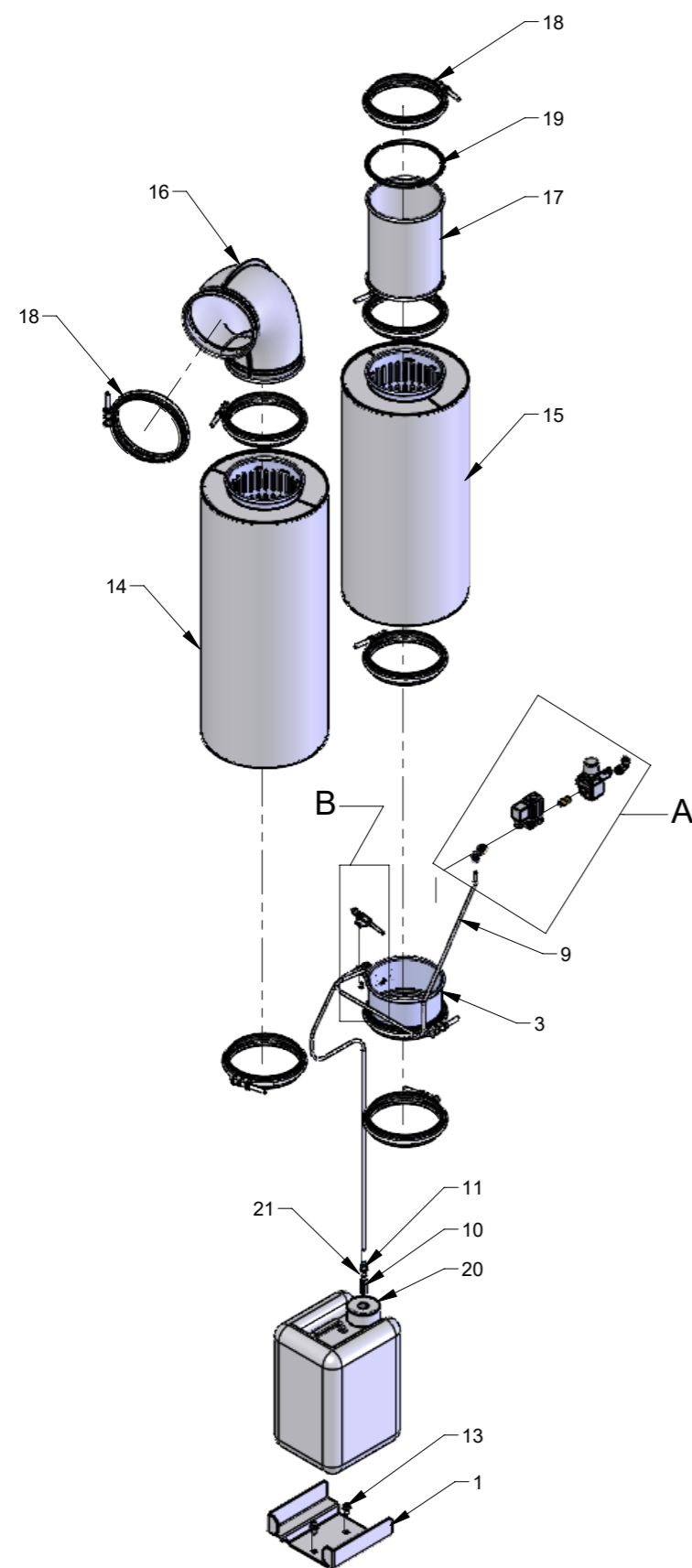
| Pos. | Pcs. | Part no.  | Description  |
|------|------|-----------|--|
| 1    | 1    | 123125285 | Non-stick blower cabinet, spaceblue                                |
| 2    | 1    | 123125119 | Non-stick inspection hatch, spaceblue                              |
| 3    | 1    | 123125288 | Non-stick rotor M Ø400-Ø28, incl. washer and screw                 |
| 4    | 1    | 123125142 | Non-stick motor bracket, spaceblue                                 |
| 5    | 1    | 123125143 | Motor plate for B3 motor, spaceblue                                |
| 6    | 1    | 100501089 | AC Motor 112M-2p B3 4(4)kW 3x400/690(460)V 50(60)Hz IE3 UL/CSA PTC |
| 7    | 4    | 100308209 | Flange set screw M12x40 DIN 6921 NV16 elgalv                       |
| 8    | 4    | 100316103 | Flange nut with threadlock M12 DIN 6926 elgv                       |
| 9    | 3    | 100323492 | Vibration damper Ø25 x L30   |
| 10   | 5    | 100304009 | Set screw M8 x 10mm DIN 933, elgalvanized                          |
| 11   | 1    | 100309049 | Countersunk screw M8x10 ISO 10642                                  |
| 12   | 20   | 100323453 | Thread forming flange screw M8x16 DIN 7500D                        |
| 13   | 4    | 100316108 | Flange nut with threadlock M8 ISO 7044 elgalvanized                |
| 14   | 1    | 123125296 | Earthing cable for motor with ringterminals                        |
| 15   | 4    | 100323498 | Self clinching stud screw M8x20 BN20523                            |



| Pos. | Pcs. | Part no.  | Description   |
|------|------|-----------|---|
| 1    | 1    | 100501349 | AC Motor 80-4p B35 0,75(0,75)kW 3x230/400(460)V 50(60)Hz UL/CSA |
| 2    | 4    | 100306030 | Set screw M10x30 ISO 4017 elgalv.                               |
| 3    | 1    | 100426085 | Coupling halfpart Ø19 19/24B                                    |
| 4    | 1    | 100426092 | Coupling PUR element Sh92 Ø19/24 yellow                         |
| 5    | 2    | 100308140 | Flange set screw M8x30 DIN 6921, elgalvanized                   |
| 6    | 2    | 100316108 | Flange nut with threadlock M8 ISO 7044 elgalvanized             |
| 7    | 1    | 123125153 | Support bracket for cutter                                      |
| 8    | 4    | 100323453 | Thread forming flange screw M8x16 DIN 7500D                     |
| 9    | 1    | 146010522 | MCB 160 cutter 2 knives 1500 rpm                                |



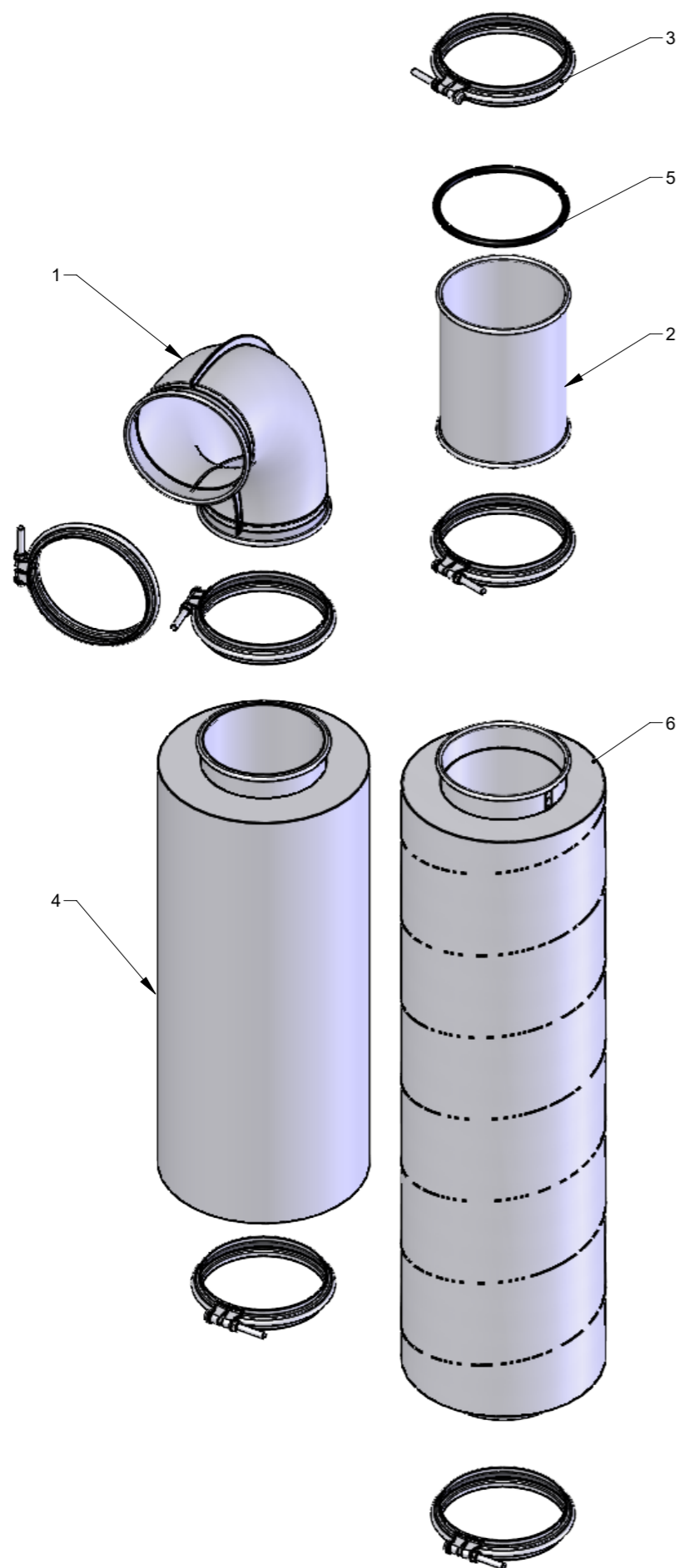
| Pos. | Pcs. | Part no.  | Description                           |
|------|------|-----------|---------------------------------------|
| 1    | 1    | 122020094 | OK 160 bend 90° R = 240 mm, spaceblue |
| 2    | 1    | 122010098 | OK 160 pipe L=215mm, spaceblue        |
| 3    | 7    | 122000857 | Clamp with bolt OK160                 |
| 4    | 2    | 123125116 | Sounddamper SLTR Ø160x690             |
| 5    | 1    | 122000132 | Rubber ring OK160 x Ø8mm              |



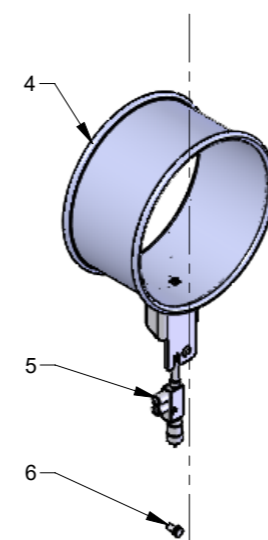
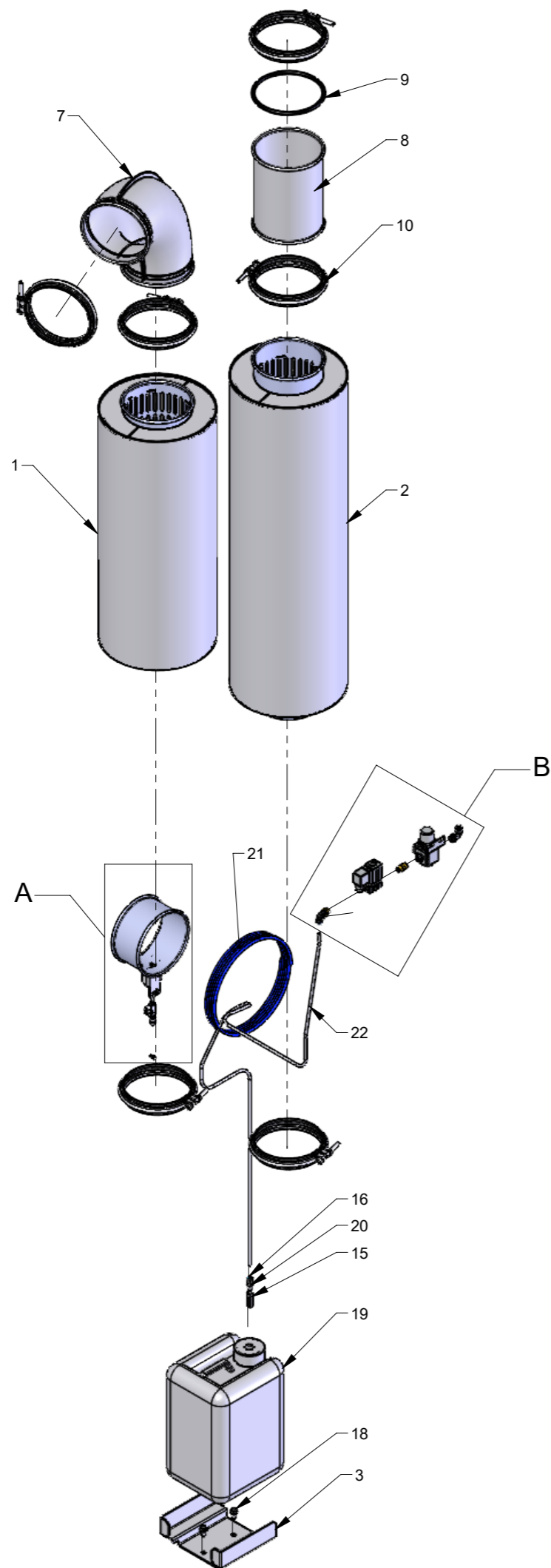
DETAIL A (1 : 4)

DETAIL B (1 : 4)

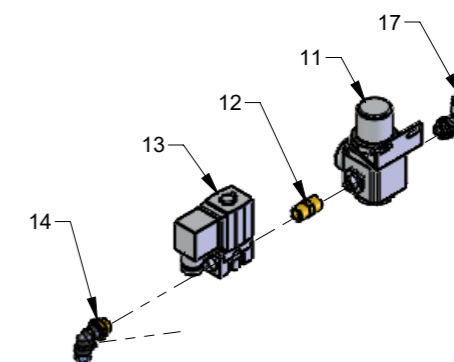
| Pos. | Pcs. | Part no.  | Description                                 |
|------|------|-----------|---|
| 1    | 1    | 123125154 | Bracket for oil canister                    |
| 2    | 1    | 100420276 | Air regulator G1/4" with bracket            |
| 3    | 1    | 123125283 | Pipe for oil injector, welded               |
| 4    | 1    | 100420289 | Oil injector HPM                            |
| 5    | 1    | 100308013 | Set screw M5x10 DIN 933 elgalvanized        |
| 6    | 1    | 100420251 | Nippel G1/4"-G1/4" metal nickel plated      |
| 7    | 1    | 100420287 | Solenoid valve 2/2 G1/4", Fluid/Pneumatik   |
| 8    | 1    | 100420248 | Fitting elbow swivel 1/8" 6mm               |
| 9    | 1    | 123125199 | Hoses for lubrication system                |
| 10   | 1    | 100420288 | Non-return valve Inline G1/8"               |
| 11   | 1    | 100420249 | Fitting straight 1/8" 6mm                   |
| 12   | 1    | 100420273 | Fitting 90° deg turnable G1/4" 8mm          |
| 13   | 2    | 100323453 | Thread forming flange screw M8x16 DIN 7500D |
| 14   | 1    | 123125300 | Non-stick silencer L=693                    |
| 15   | 1    | 123125316 | Non-stick silencer L=600                    |
| 16   | 1    | 123125290 | OK160 90° bend non-stick                    |
| 17   | 1    | 123125291 | OK160 pipe L=215mm, non-stick               |
| 18   | 8    | 122000857 | Clamp with bolt OK160                       |
| 19   | 1    | 122000132 | Rubber ring OK160 x Ø8mm                    |
| 20   | 1    | 100203164 | Plastic container 10L                       |
| 21   | 1    | 100420203 | Silencer 1/8"                               |
| 22   | 2    | 100323449 | Thread forming flange screw M4x12 DIN 7500C |



| Pos. | Pcs. | Part no.  | Description                           |
|------|------|-----------|---------------------------------------|
| 1    | 1    | 122020094 | OK 160 bend 90° R = 240 mm, spaceblue |
| 2    | 1    | 122010098 | OK 160 pipe L=215mm, spaceblue        |
| 3    | 6    | 122000857 | Clamp with bolt OK160                 |
| 4    | 1    | 123125116 | Sounddamper SLTR Ø160x690             |
| 5    | 1    | 122000132 | Rubber ring OK160 x Ø8mm              |
| 6    | 1    | 131025041 | Sound damper OK160 / Ø260x970mm galv. |

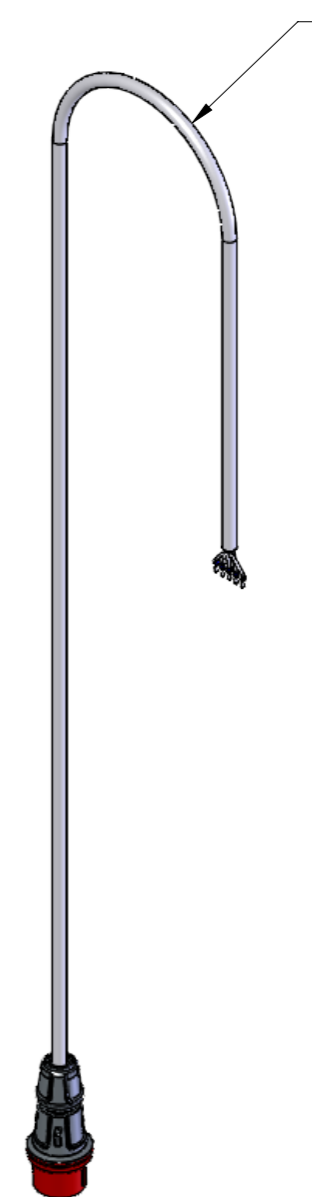
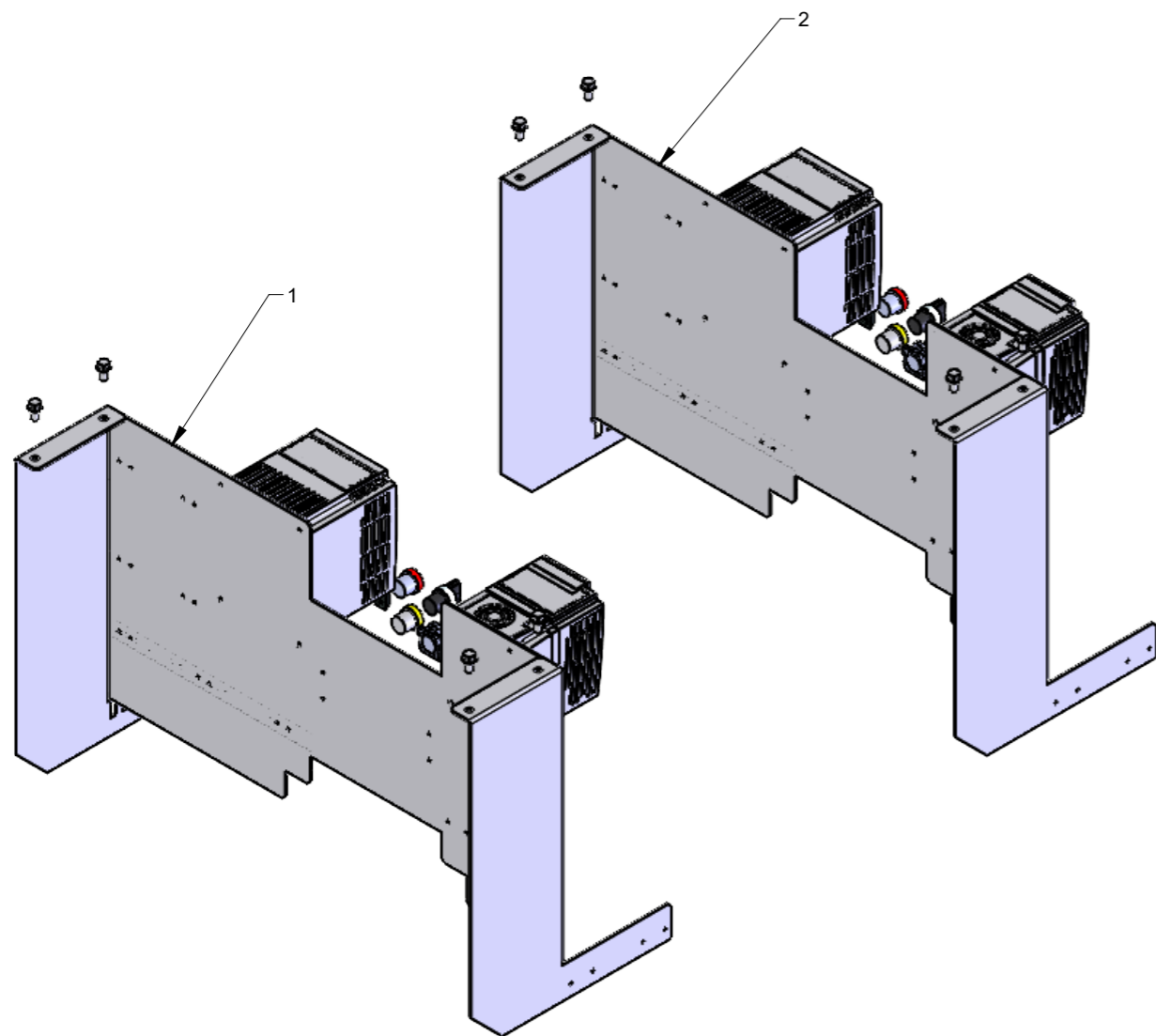


DETAIL A (2 : 13)

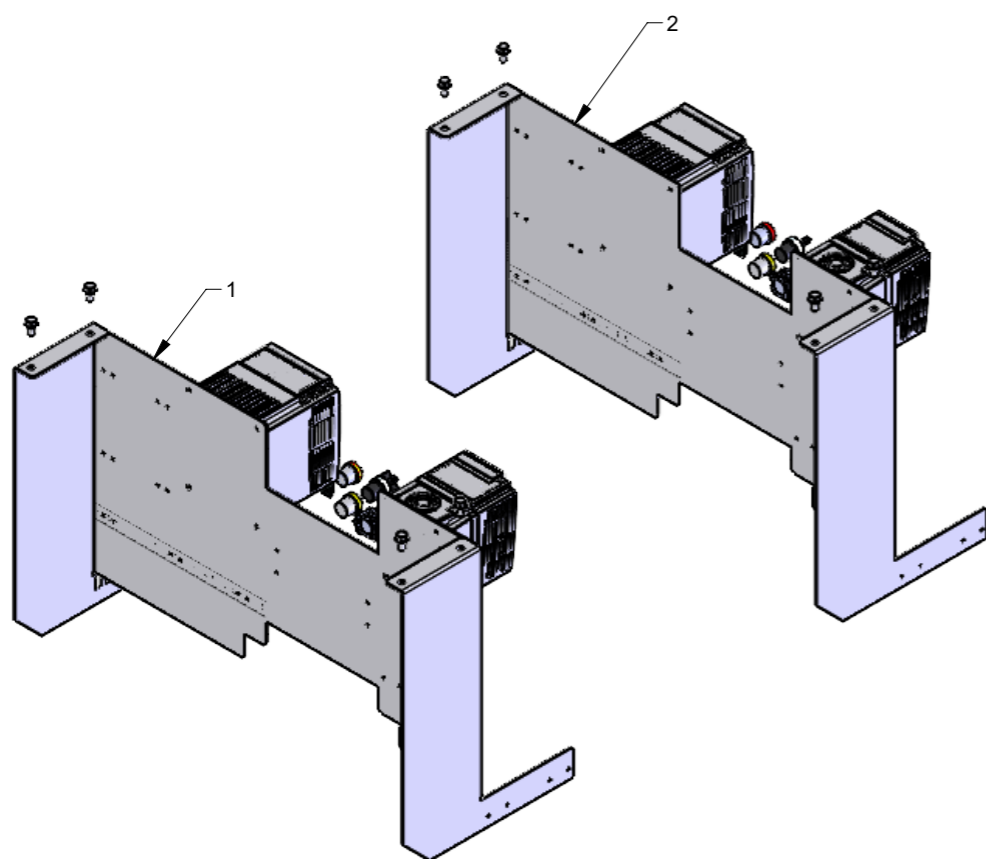


DETAIL B (2 : 13)

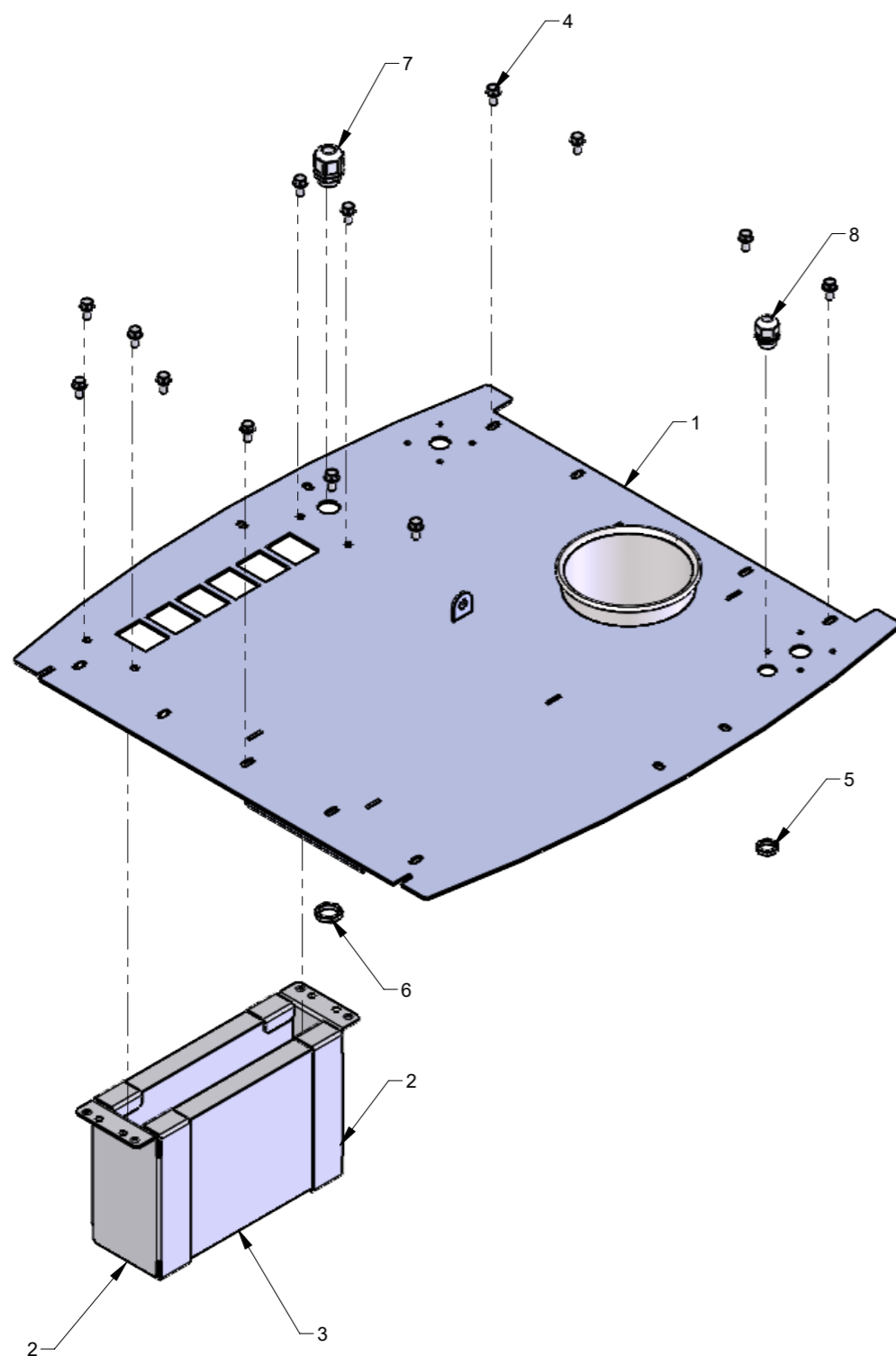
| Pos. | Pcs. | Part no.  | Description                                 |
|------|------|-----------|---|
| 1    | 1    | 123125300 | Non-stick silencer L=693                    |
| 2    | 1    | 123125308 | Non-stick silencer L=970                    |
| 3    | 1    | 123125154 | Bracket for oil canister                    |
| 4    | 1    | 123125283 | Pipe for oil injector, welded               |
| 5    | 1    | 100420289 | Oil injector HPM                            |
| 6    | 1    | 100308013 | Set screw M5x10 DIN 933 elgalvanized        |
| 7    | 1    | 123125290 | OK160 90° bend non-stick                    |
| 8    | 1    | 123125291 | OK160 pipe L=215mm, non-stick               |
| 9    | 1    | 122000132 | Rubber ring OK160 x Ø8mm                    |
| 10   | 6    | 122000857 | Clamp with bolt OK160                       |
| 11   | 1    | 100420276 | Air regulator G1/4" with bracket            |
| 12   | 1    | 100420251 | Nippel G1/4"-G1/4" metal nickel plated      |
| 13   | 1    | 100420287 | Solenoid valve 2/2 G1/4", Fluid/Pneumatik   |
| 14   | 1    | 100420248 | Fitting elbow swivel 1/8" 6mm               |
| 15   | 1    | 100420288 | Non-return valve Inline G1/8"               |
| 16   | 1    | 100420249 | Fitting straight 1/8" 6mm                   |
| 17   | 1    | 100420273 | Fitting 90° deg turnable G1/4" 8mm          |
| 18   | 2    | 100323453 | Thread forming flange screw M8x16 DIN 7500D |
| 19   | 1    | 100203164 | Plastic container 10L                       |
| 20   | 1    | 100420203 | Silencer 1/8"                               |
| 21   | 1    | 100420210 | 25m pneumatic hosee Ø6/Ø4 blue              |
| 22   | 1    | 123125199 | Hoses for lubrication system                |



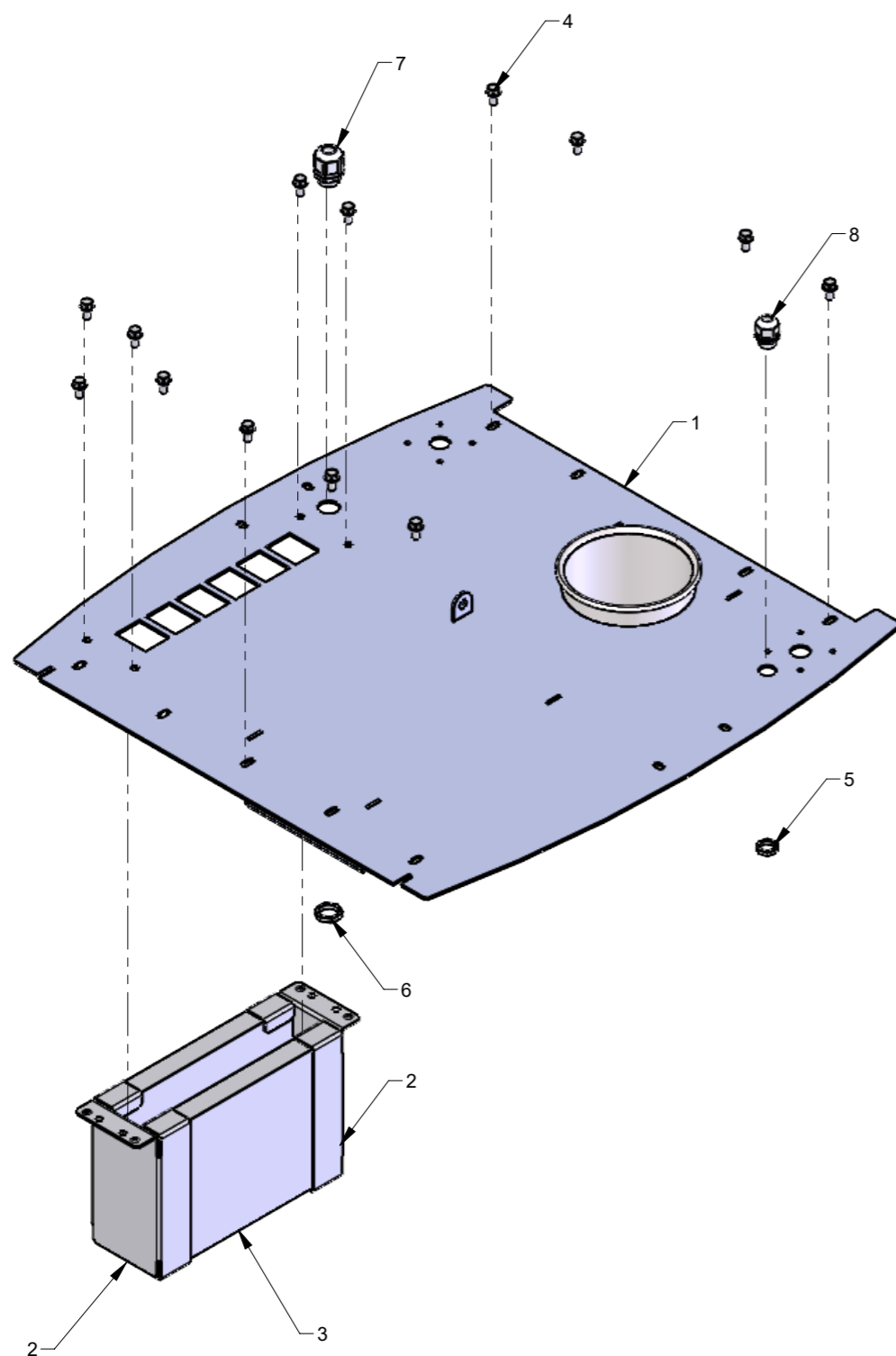
| Pos. | Pcs. | Part no.  | Description  |
|------|------|-----------|--|
| 1    | 1    | 123125047 | Controls 2,2kW CE, assembled                           |
| 2    | 1    | 123125048 | Controls 4kW CE, assembled                             |
| 3    | 1    | 123125045 | Powercable with CEE plug 16A 5 pole 2,5mm <sup>2</sup> |



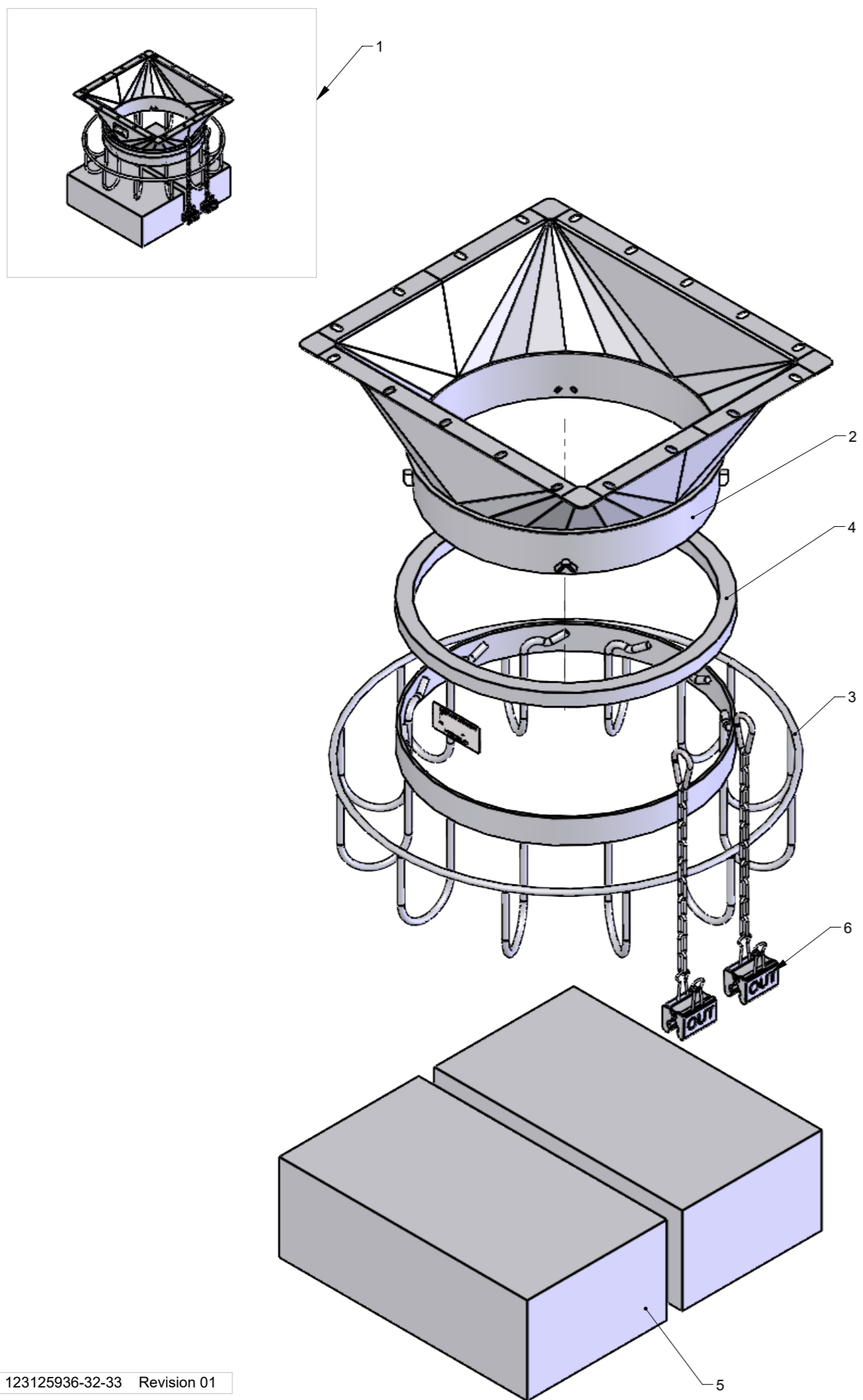
| Pos. | Pcs. | Part no.  | Description                      |
|------|------|-----------|----------------------------------|
| 1    | 1    | 123125031 | Controls 2,2kW UL/CSA, assembled |
| 2    | 1    | 123125046 | Controls 4kW UL/CSA, assembled   |



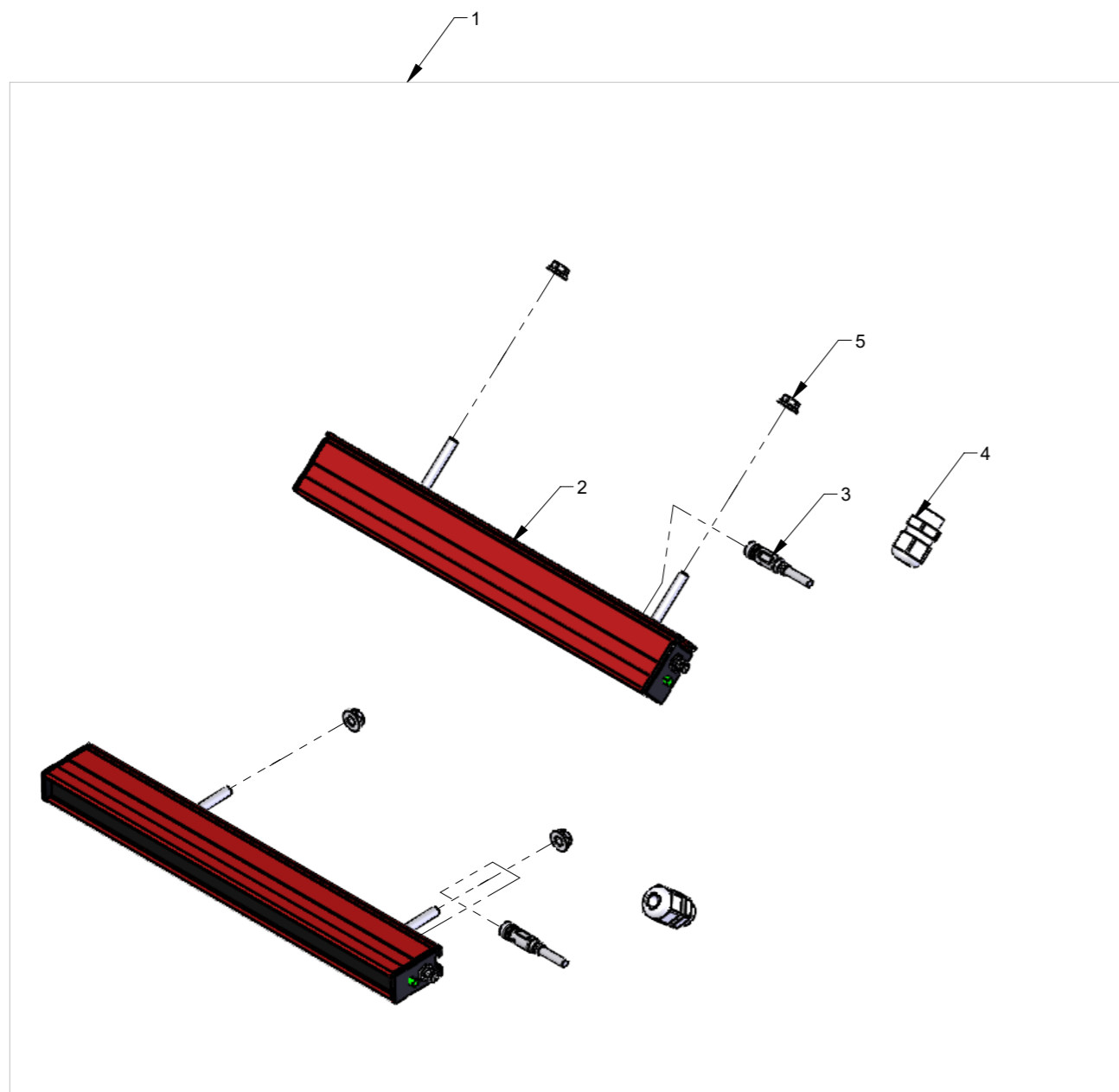
| Pos. | Pcs. | Part no.  | Description                                 |
|------|------|-----------|---|
| 1    | 1    | 123125216 | Top for cabinet, cobalt blue                |
| 2    | 2    | 123125155 | Sound dampener bracket                      |
| 3    | 2    | 123125156 | Silencer foam                               |
| 4    | 14   | 100323453 | Thread forming flange screw M8x16 DIN 7500D |
| 5    | 1    | 100511215 | Nut M20X1,5 plastic                         |
| 6    | 1    | 100511191 | Nut M25 x 1,5 plastic                       |
| 7    | 1    | 100511182 | Cable screw gland M25x1,5 plastic           |
| 8    | 1    | 100511260 | Cable screw gland M20x1,5                   |



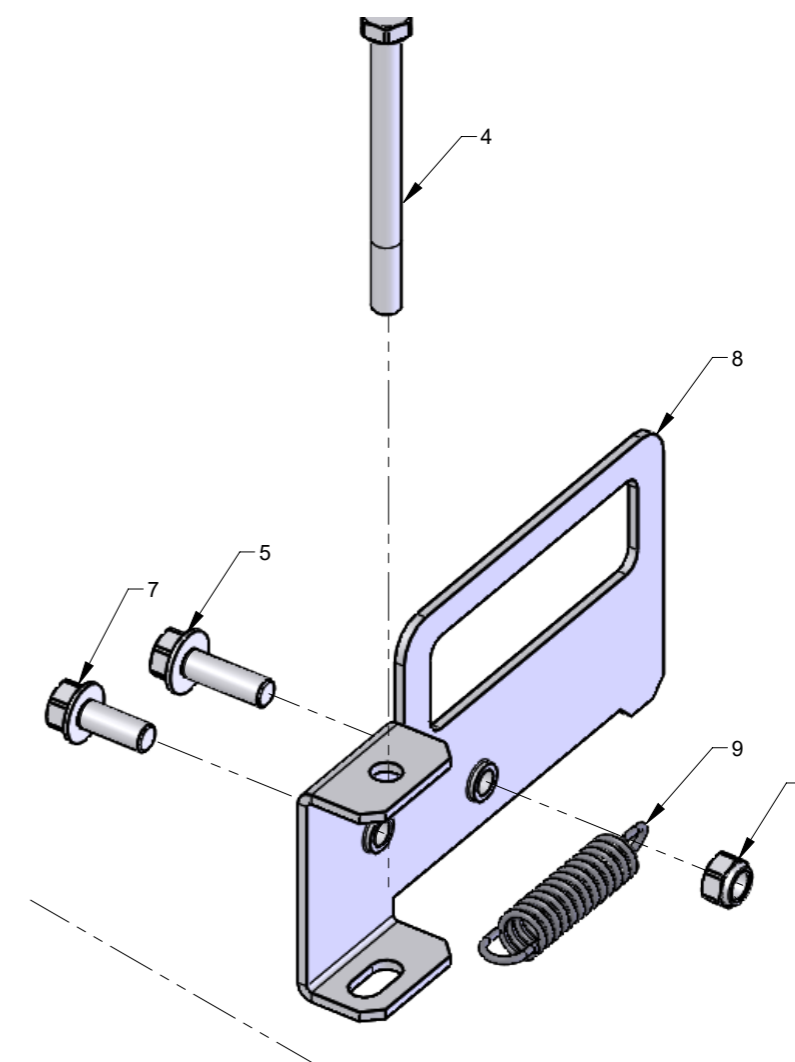
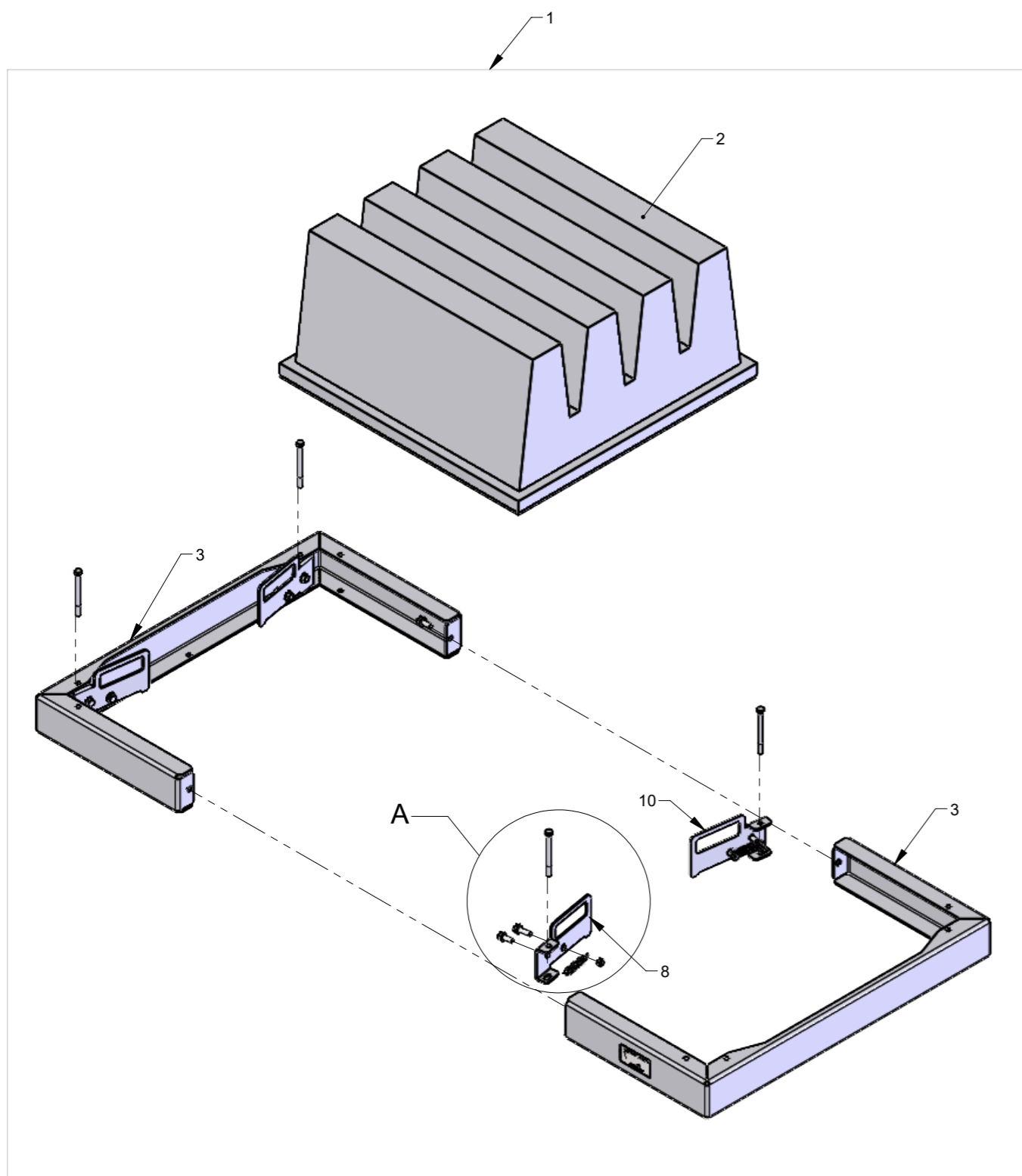
| Pos. | Pcs. | Part no.  | Description                                 |
|------|------|-----------|---|
| 1    | 1    | 123125218 | Non-stick top for cabinet, cobalt blue      |
| 2    | 2    | 123125155 | Sound dampener bracket                      |
| 3    | 2    | 123125156 | Silencer foam                               |
| 4    | 14   | 100323453 | Thread forming flange screw M8x16 DIN 7500D |
| 5    | 1    | 100511215 | Nut M20X1,5 plastic                         |
| 6    | 1    | 100511191 | Nut M25 x 1,5 plastic                       |
| 7    | 1    | 100511182 | Cable screw gland M25x1,5 plastic           |
| 8    | 1    | 100511260 | Cable screw gland M20x1,5                   |



| Pos. | Pcs. | Part no.  | Description  |
|------|------|-----------|--|
| 1    | 1    | 123125616 | Endless bag system T3  |
| 2    | 1    | 123125243 | Basket holder for endless bag basket                                 |
| 3    | 1    | 123125182 | Basket for endless bag   |
| 4    | 1    | 123125178 | Sealing for basket holder  |
| 5    | 2    | 100203167 | Endless bag, cassette of 70m, Ø570mm Maxi, extra strong, transparant |
| 6    | 2    | 123125247 | Clip for endless bag system  |

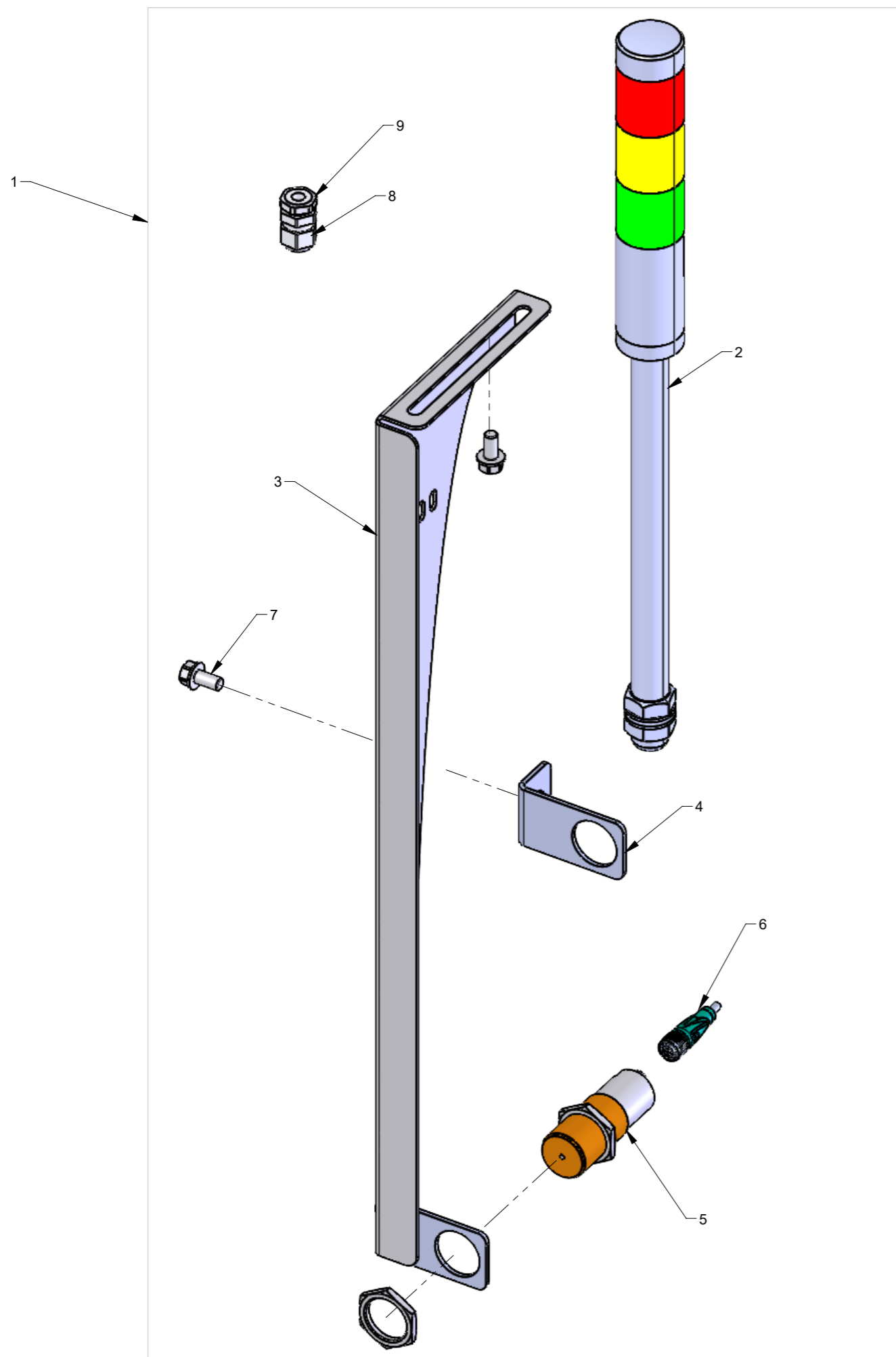


| Pos. | Pcs. | Part no.  | Description                                |
|------|------|-----------|--|
| 1    | 1    | 123125617 | Anti-static 2x11kV option CB/CUB CE/UL/CSA |
| 2    | 2    | 100503424 | Antistatic rod 24VDC 300mm                 |
| 3    | 2    | 100503427 | Sensor cable M8 plug 4P 5m                 |
| 4    | 2    | 100511244 | Cable gland M16x1,5                        |
| 5    | 4    | 100316075 | Flange nut with threadlock M6 DIN 6927     |

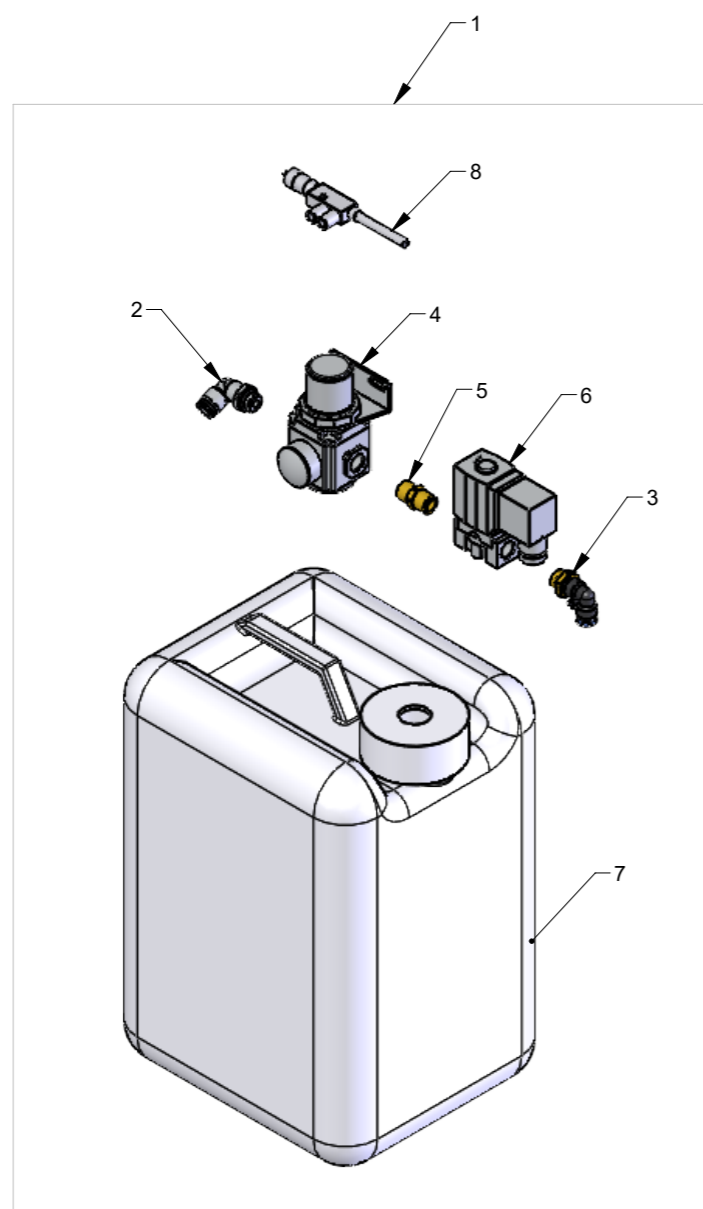


DETAIL A (1 : 2)

| Pos. | Pcs. | Part no.  | Description  |
|------|------|-----------|--|
| 1    | 1    | 123125029 | HEPA Filter option                                 |
| 2    | 1    | 100203147 | Hepa Filter VGHF14-592x592x292-F                   |
| 3    | 2    | 123125196 | Filter bracket half part                           |
| 4    | 4    | 100306026 | Screw M8 x 90mm DIN 931, elgalvanized              |
| 5    | 4    | 100323381 | Flange set screw M8x25 DIN 6921                    |
| 6    | 4    | 100316003 | Self locking nut M8 DIN 985-6, elgalvanized        |
| 7    | 6    | 100323454 | Thread forming flange screw M8x20 DIN 7500D        |
| 8    | 2    | 123125198 | Filter locking handle right                        |
| 9    | 4    | 100323491 | Spring Ø2XØ14X50 Fn=164N Pianowire, Sodemann 32340 |
| 10   | 2    | 123125197 | Filter locking handle left                         |



| Pos. | Pcs. | Part no.  | Description                                 |
|------|------|-----------|---|
| 1    | 1    | 123125618 | Ultrasound sensor with light tower          |
| 2    | 1    | 100503425 | Light tower Ø45 red/orange/green            |
| 3    | 1    | 123125401 | Bracket for level sensor                    |
| 4    | 2    | 123125402 | Mounting bracket for level sensor           |
| 5    | 1    | 100503438 | Capacitive sensor IFM Ki6000                |
| 6    | 1    | 100503323 | Cable for ultrasound sensor, straight       |
| 7    | 3    | 100323453 | Thread forming flange screw M8x16 DIN 7500D |
| 8    | 1    | 100511244 | Cable gland M16x1,5                         |
| 9    | 1    | 100511245 | Nut M16X1,5 plastic                         |



| Pos. | Pcs. | Part no.  | Description                               |
|------|------|-----------|---|
| 1    | 1    | 123125613 | CB/CUB non-stick oil accessory kit        |
| 2    | 1    | 100420273 | Fitting 90° deg turnable G1/4" 8mm        |
| 3    | 1    | 100420248 | Fitting elbow swivel 1/8" 6mm             |
| 4    | 1    | 100420276 | Air regulator G1/4" with bracket          |
| 5    | 1    | 100420251 | Nippel G1/4"-G1/4" metal nickel plated    |
| 6    | 1    | 100420287 | Solenoid valve 2/2 G1/4", Fluid/Pneumatik |
| 7    | 1    | 100203164 | Plastic container 10L                     |
| 8    | 1    | 100420289 | Oil injector HPM                          |



Kongskilde Industries A/S  
Skælskørvej 64  
DK - 4180 Sorø  
Tel. +45 72 17 60 00  
[mail@kongskilde-industries.com](mailto:mail@kongskilde-industries.com)  
[www.kongskilde-industries.com](http://www.kongskilde-industries.com)