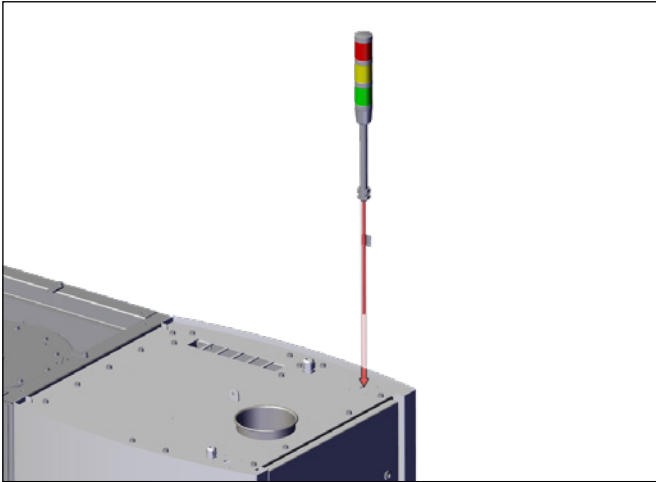
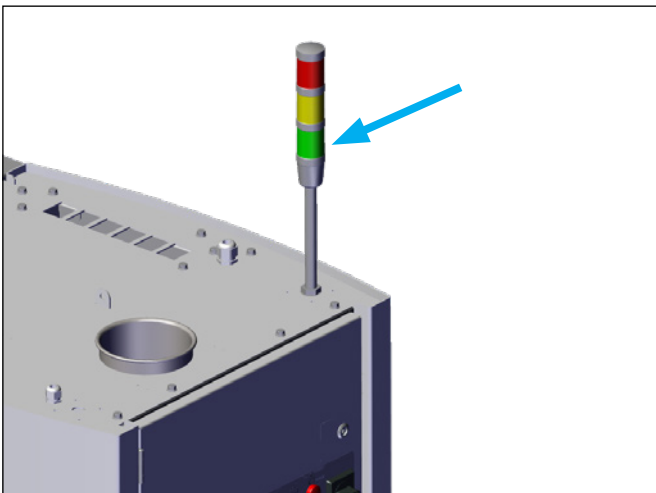


**Installation of indicator light and material level sensor CB/CUB**  
**Instalación del indicador luminoso y del sensor de nivel de material CB/CUB**

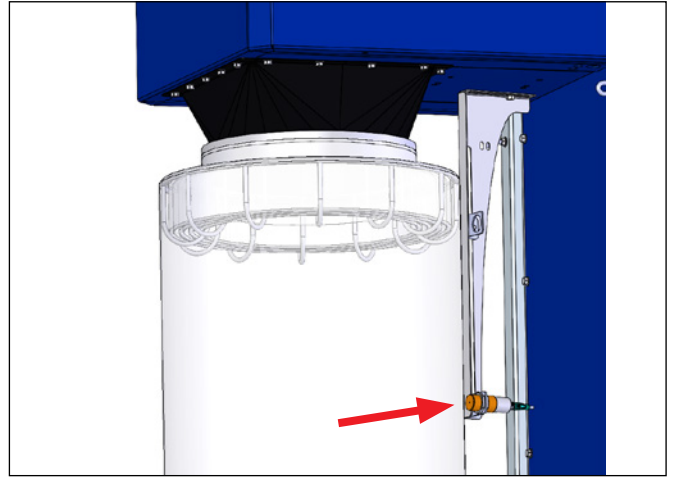
**1 - indicator light / luz indicadora**



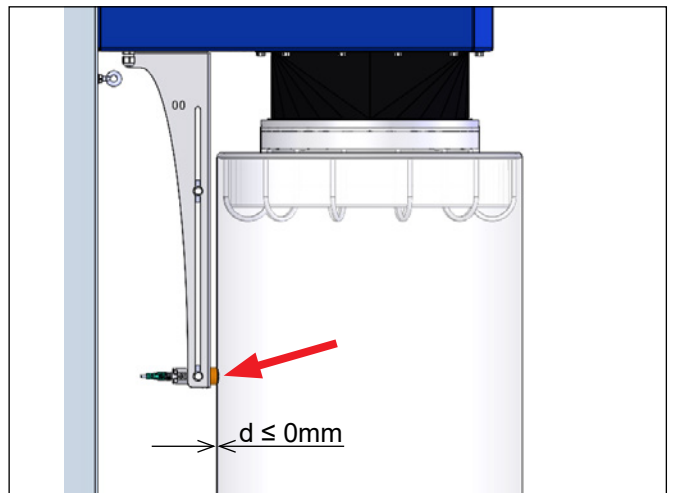
**2**



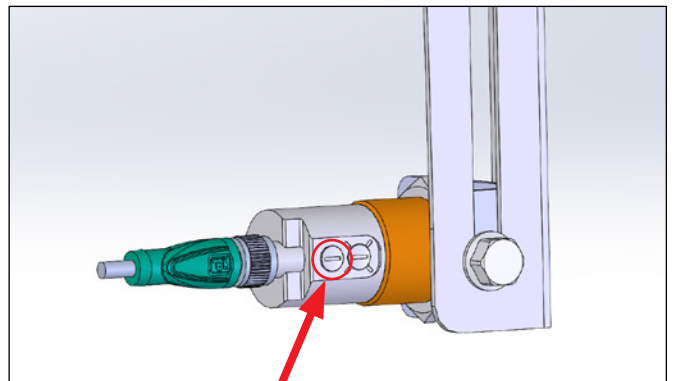
**3 - ultrasonic sensor / sensor de nivel**



**4**

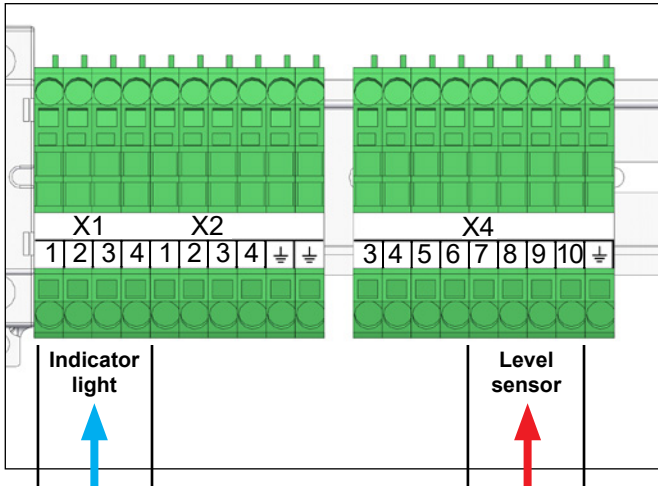


**5**



**Sensitivity / Sensibilidad**

6



**X4 - 7 = Brown (L+) / Marrón**

**X4 - 8 = Blue (0 V) / Azul**

**X4 - 9 = Black (Out 1 / Yellow LED) / Negro (Salida 1 / Amarillo LED)**

**X4 - 10 = White (Out 2 / Red LED) / Blanco (Salida 2 / Rojo LED)**

**X1 - 1 = Red / Rojo**

**X1 - 2 = Orange / Naranja**

**X1 - 3 = Green / Verde**

**X1 - 4 = Yellow (Common) / Amarillo (Común)**

Furthermore, refer to electrical diagram 123125251 / 123125252

Además, consulte el diagrama 123125251 / 123125252