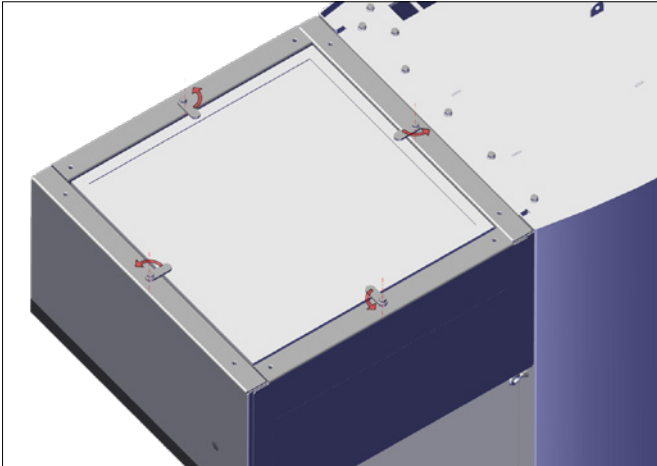
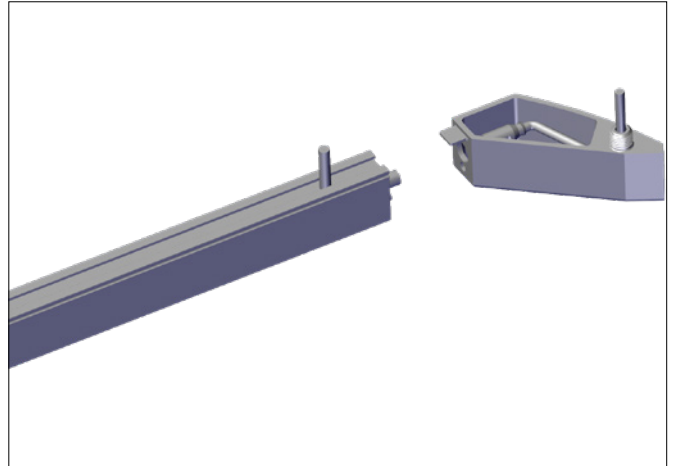


Installation of antistatic equipment CB/CUB

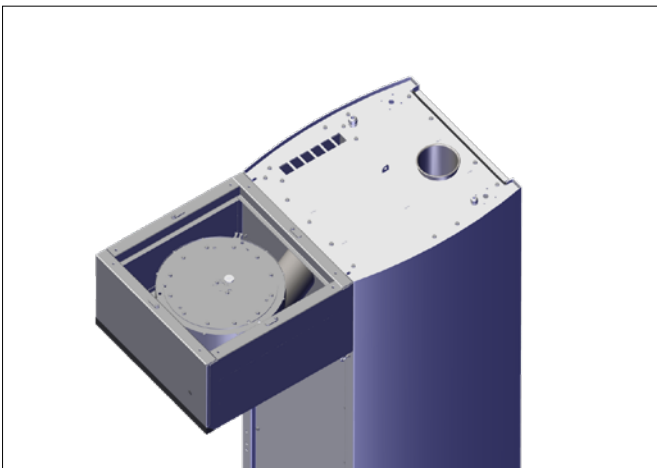
1



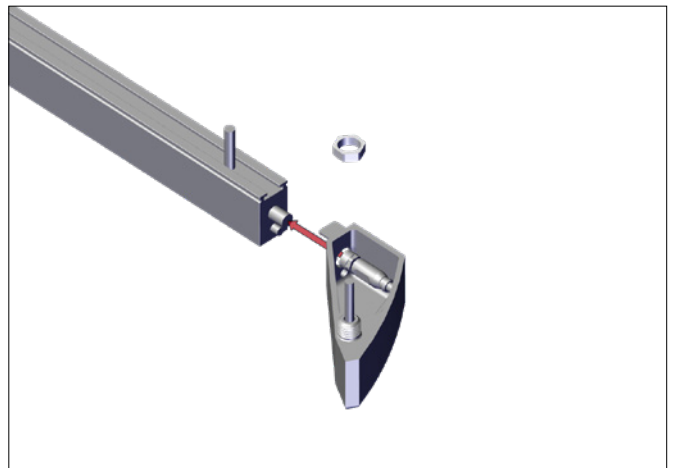
4



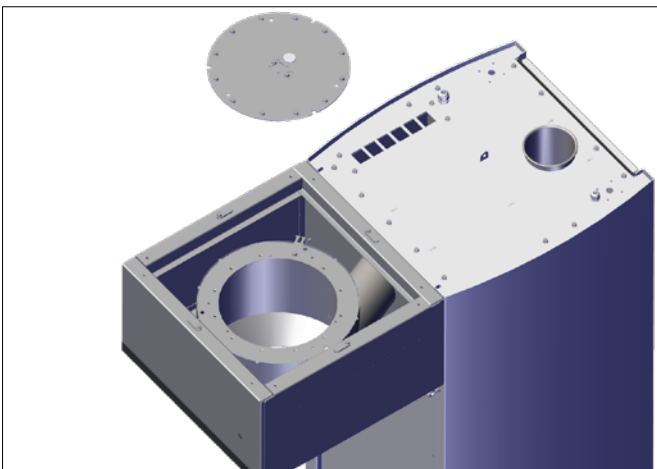
2



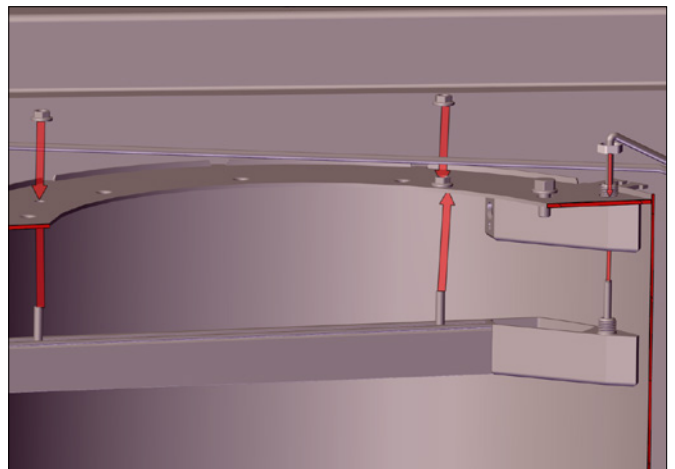
5



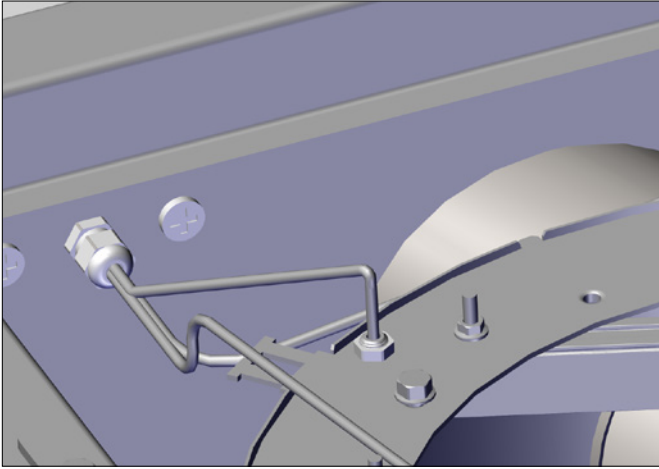
3



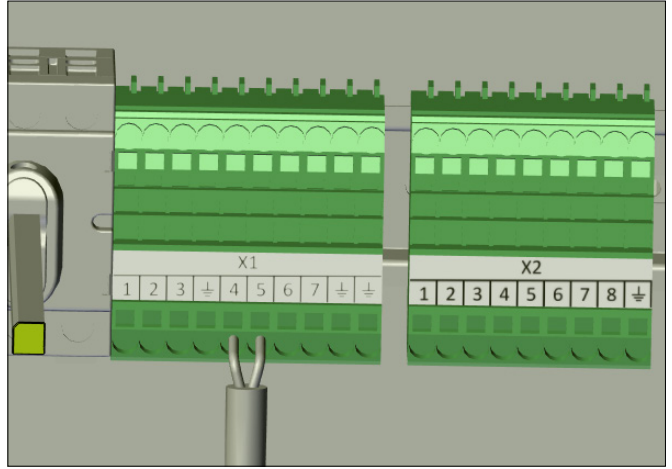
6



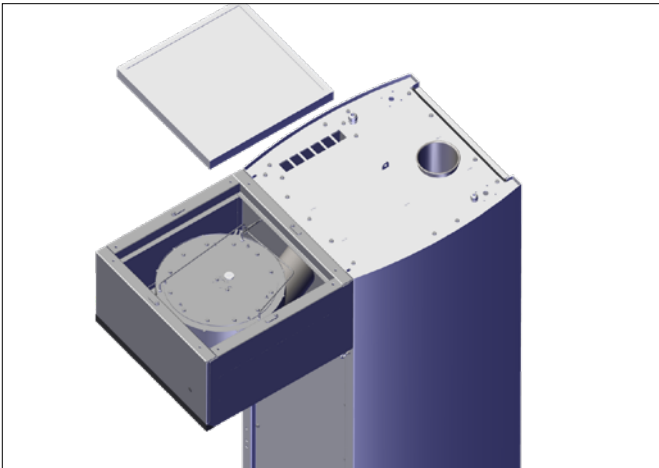
7



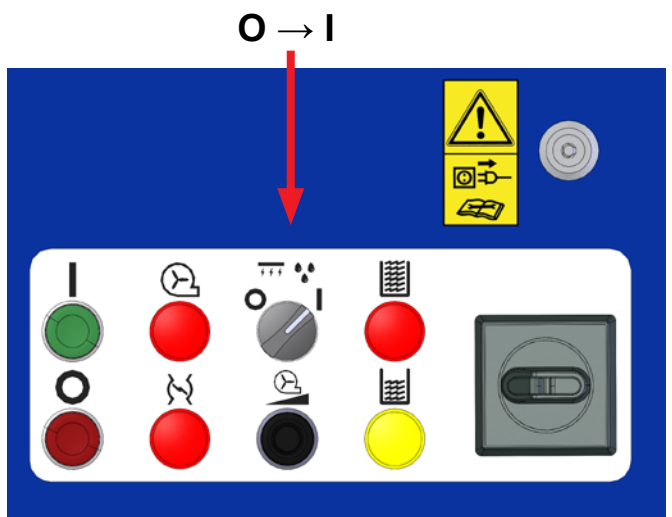
10



8



11



9

