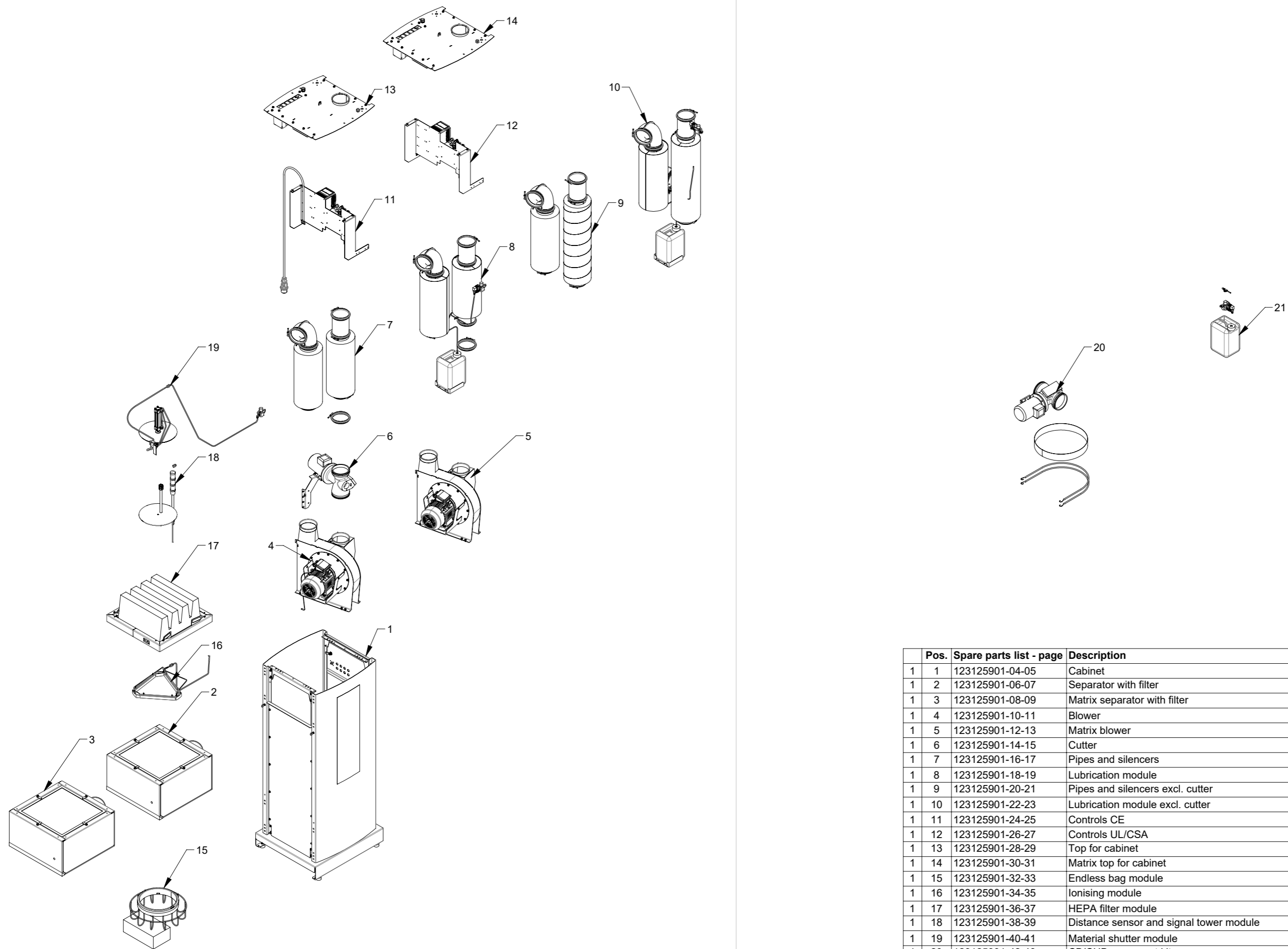


Compact Unit CUB 1620/1640

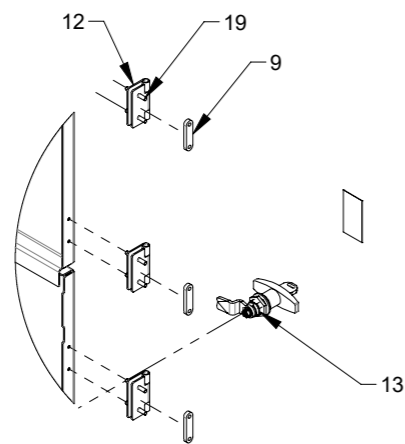
All-in-one unit



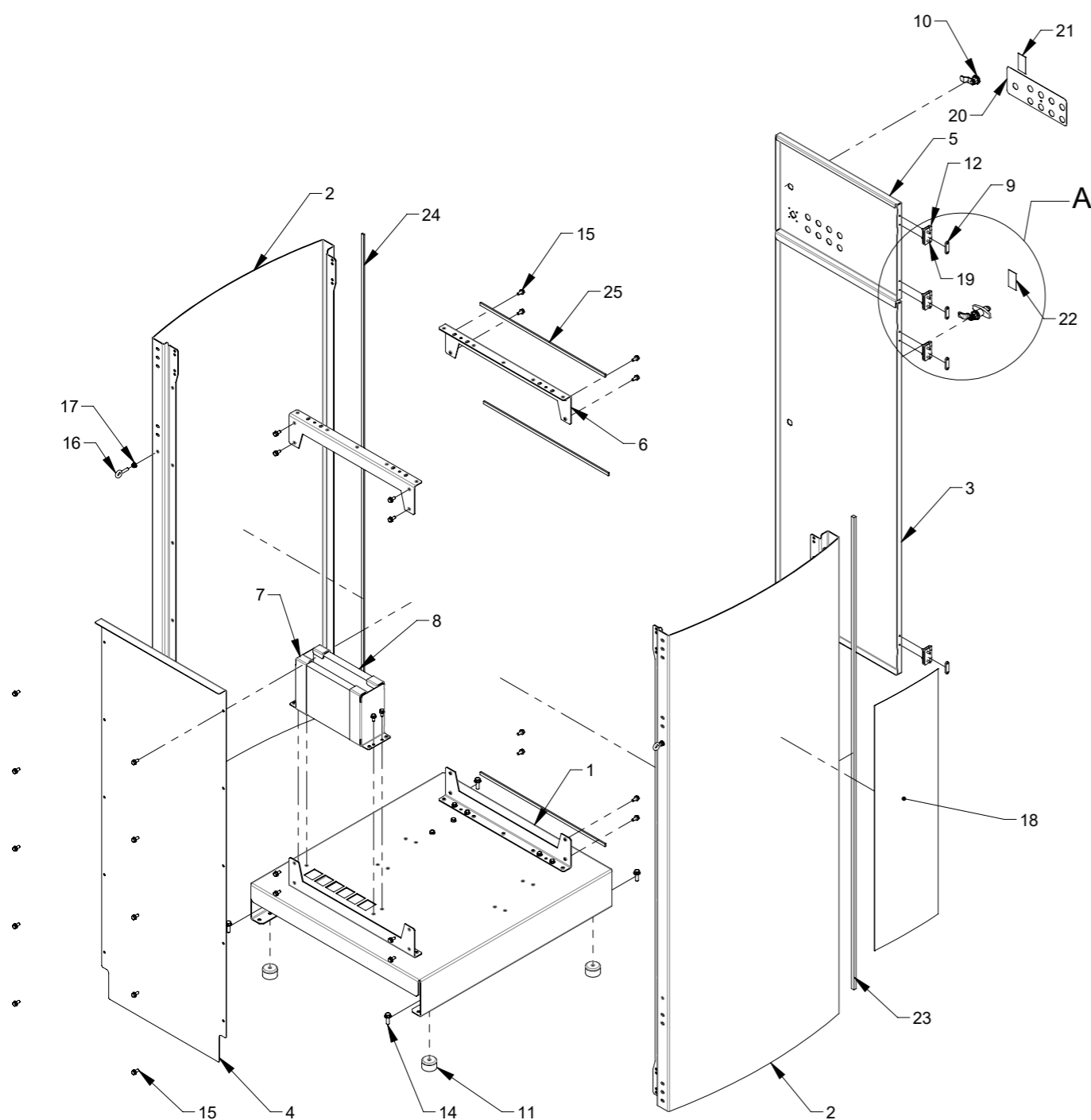
Spare parts list (from sales no. 123125500)



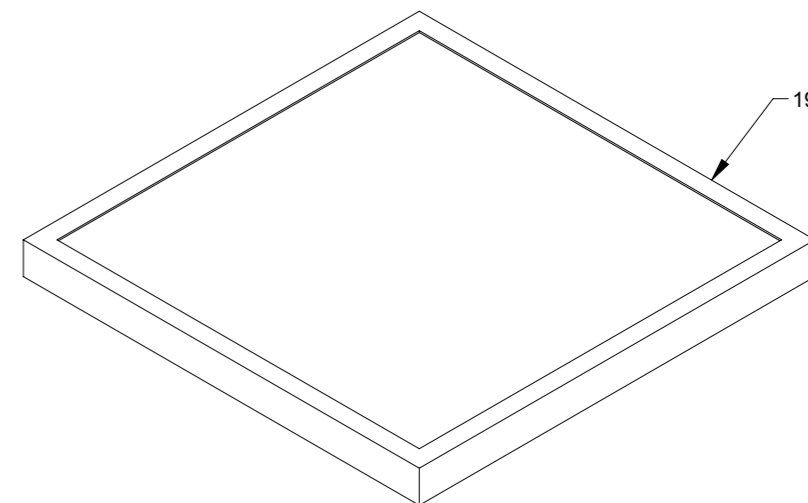
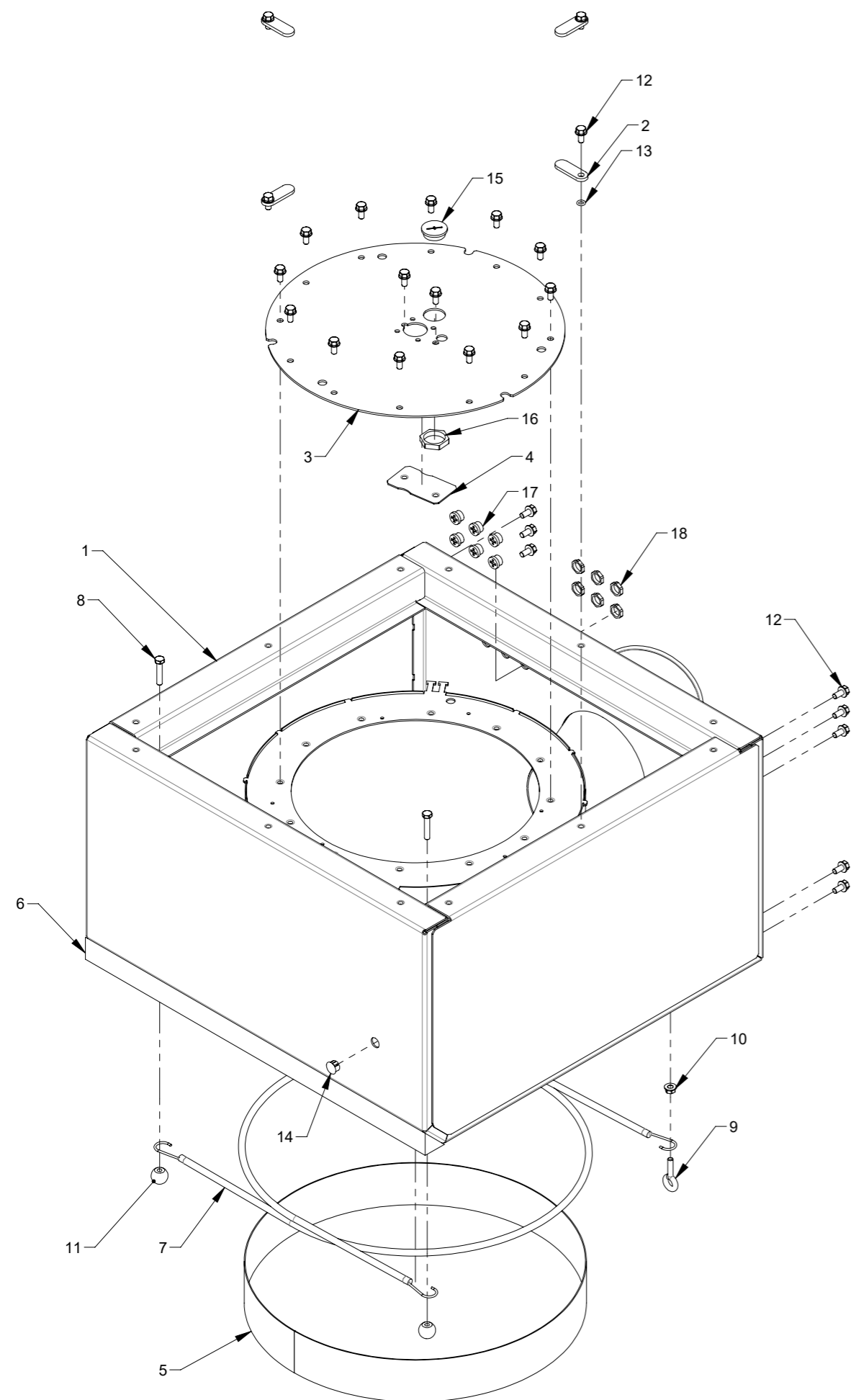
Pos.	Spare parts list - page	Description
1	1	123125901-04-05 Cabinet
1	2	123125901-06-07 Separator with filter
1	3	123125901-08-09 Matrix separator with filter
1	4	123125901-10-11 Blower
1	5	123125901-12-13 Matrix blower
1	6	123125901-14-15 Cutter
1	7	123125901-16-17 Pipes and silencers
1	8	123125901-18-19 Lubrication module
1	9	123125901-20-21 Pipes and silencers excl. cutter
1	10	123125901-22-23 Lubrication module excl. cutter
1	11	123125901-24-25 Controls CE
1	12	123125901-26-27 Controls UL/CSA
1	13	123125901-28-29 Top for cabinet
1	14	123125901-30-31 Matrix top for cabinet
1	15	123125901-32-33 Endless bag module
1	16	123125901-34-35 Ionising module
1	17	123125901-36-37 HEPA filter module
1	18	123125901-38-39 Distance sensor and signal tower module
1	19	123125901-40-41 Material shutter module
1	20	123125901-42-43 CB/CUB spare part kit
1	21	123125901-44-45 CB/CUB Matrix oil accessory kit



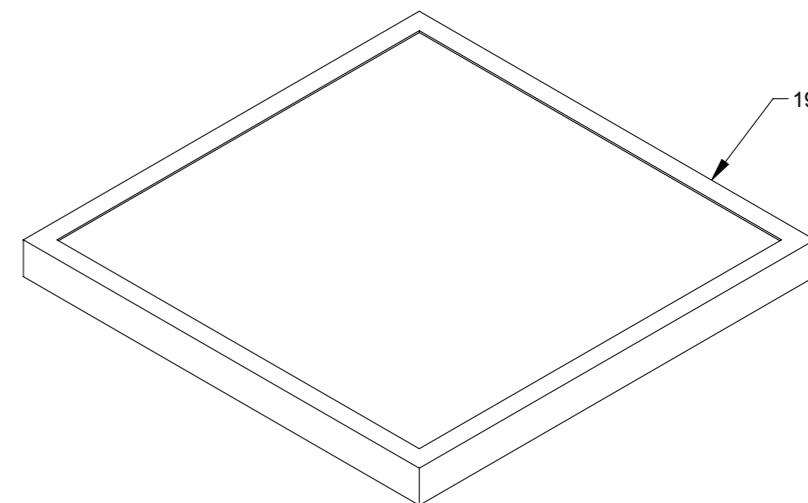
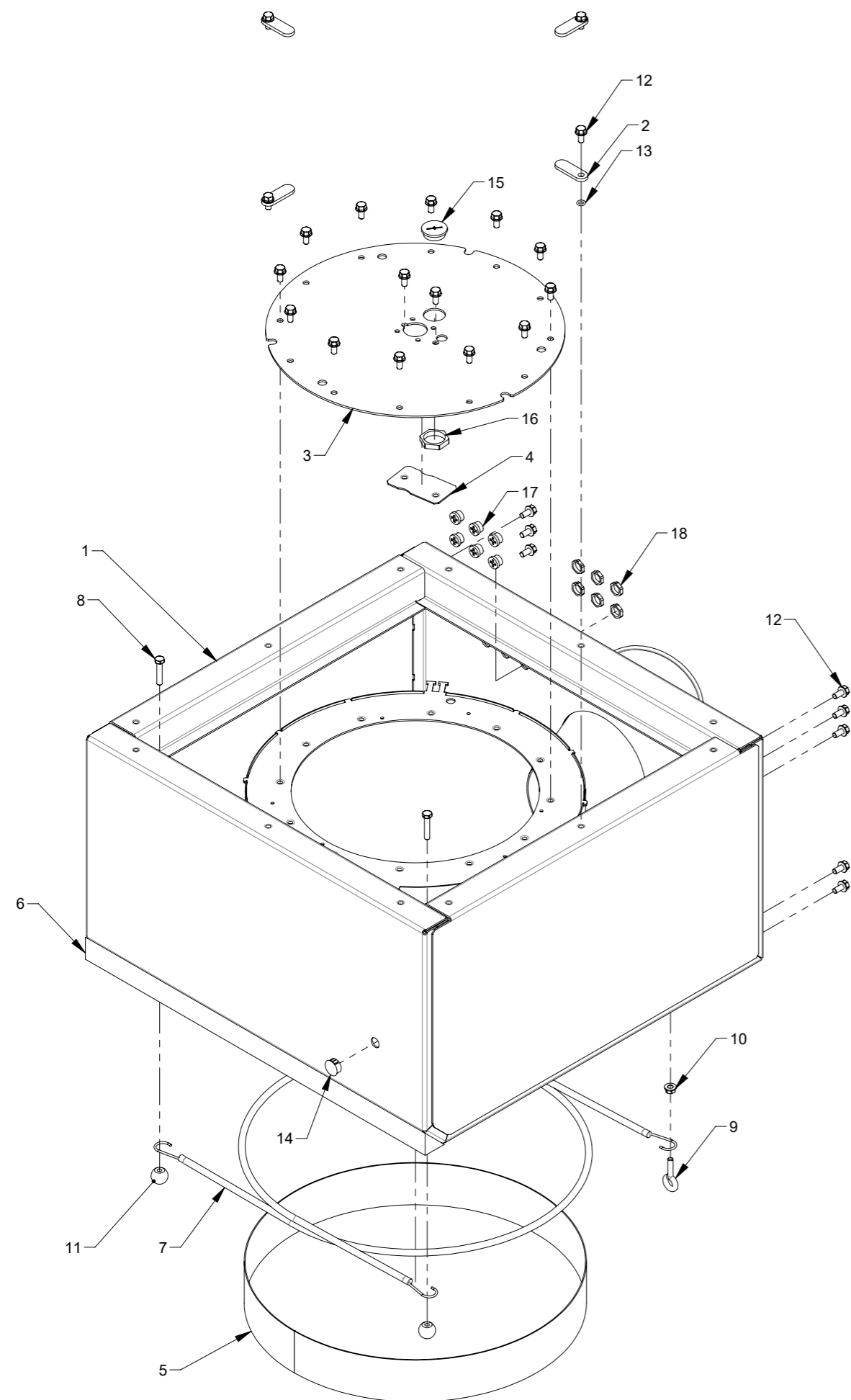
DETAIL A (1 : 10)



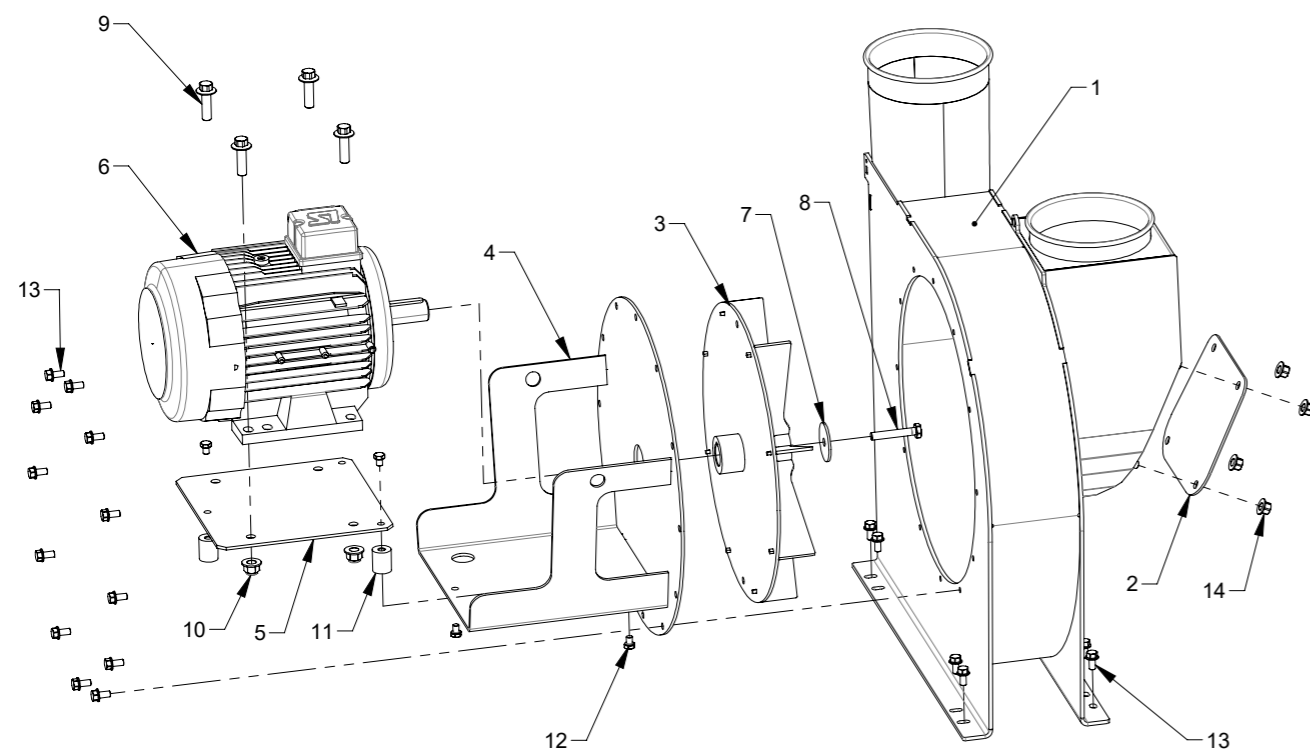
Pos.	Pcs.	Part no.	Description
1	1	123125210	Bottom frame, black
2	2	123125211	Side panel, spaceblue
3	1	123125212	Door, cobalt blue
4	1	123125213	Rear panel, cobalt blue
5	1	123125214	Door for controls, cobalt blue
6	4	123125151	Mounting bracket
7	2	123125155	Sound dampener bracket
8	2	123125156	Silencer foam
9	4	123125170	Threaded bracket for hinges
10	1	100323489	Turnlock Klee CQ/T-M22x1,5-45-30 with key
11	4	100323329	Vibration damper Ø50x35
12	4	100323487	Hinge GN 136-ST-60-60-C
13	1	100323486	Door latch GN 115-SCT-30-SW with key
14	4	100308173	Flange set screw M10x30mm DIN 6921, elgalvanized
15	40	100323453	Thread forming flange screw M8x16 DIN 7500D
16	2	100323301	Eye Bolt M8 X 30
17	2	100316098	Flange nut without teeth M8 DIN6923 elgv
18	2	123125951	Label "KONGSKILDE Compact Unit CUB", cut cobaltblue/black
19	16	100321060	Countersunk screw M5x16 ISO 14581elgalv.
20	1	123125953	Label "Operator panel", black on white
21	1	121115073	Label "Disconnect electricity before service", black on yellow
22	1	121115071	Label "Read users manual", black on yellow
23	1	123125174	Isolation rubber C (long)
24	1	123125173	Isolation rubber B (long)
25	3	123125172	Insulation rubber A (short)



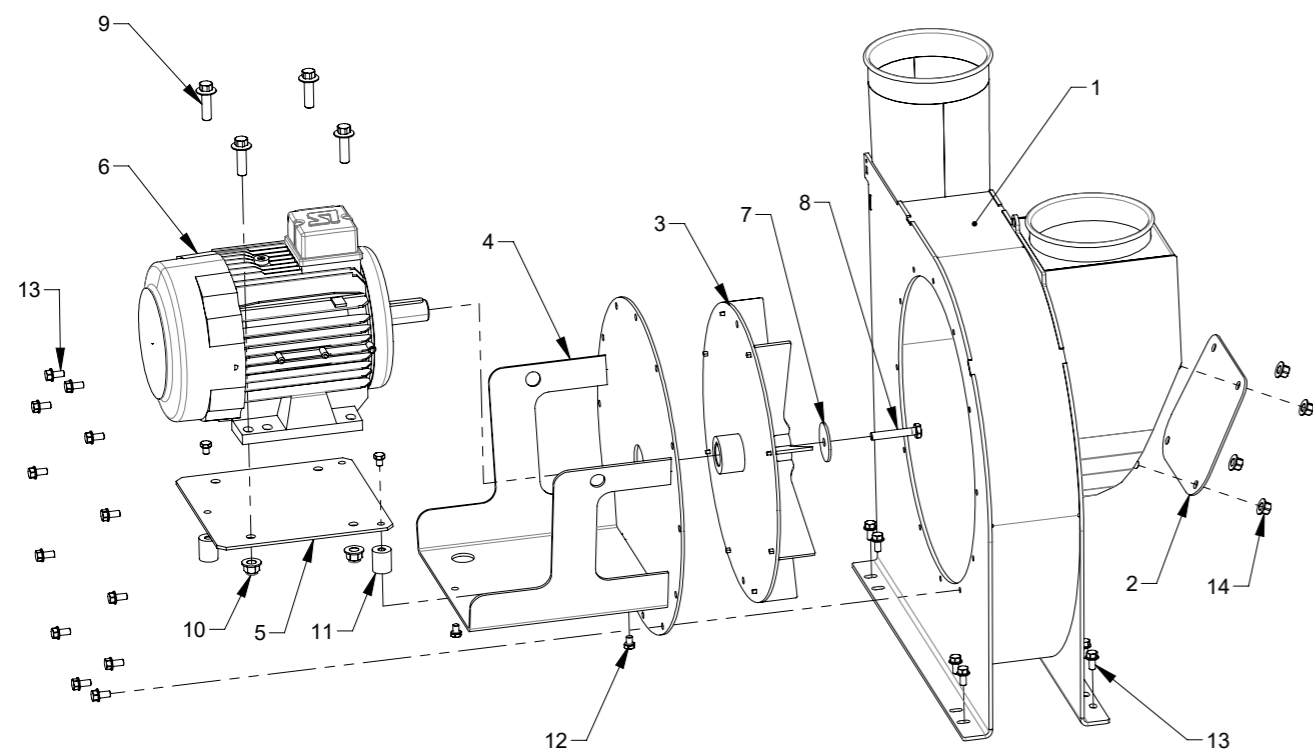
Pos.	Pcs.	Part no.	Description
1	1	123125215	Separator, cobalt blue
2	4	123125157	Locking plate for filter
3	1	123125164	Lid for separator
4	1	123125167	Cover plate for pneumatic cylinder
5	1	123125190	EPDM band for cyklone
6	1	123125191	Protection profile
7	2	100323488	Bagage strap Black 80cm 80N
8	2	100308033	Screw M8x40 DIN 933
9	2	100323301	Eye Bolt M8 X 30
10	2	100316098	Flange nut without teeth M8 DIN6923 elgv
11	2	100323490	Ballknob Ø25-M8 DIN 319
12	28	100323453	Thread forming flange screw M8x16 DIN 7500D
13	4	100413173	O-ring Ø7,6 x 2,62
14	1	100511308	Plug without thread Ø15,9 plastic
15	1	100511295	Blind plug M25x1,5 plastic
16	1	100511192	Nut M32x1,5 plastic
17	6	100511306	Blind plug M16x1,5 Plastic
18	6	100511245	Nut M16X1,5 plastic
19	1	100203148	Prefilter 3GPA 592x592x48-F7-0-VEX



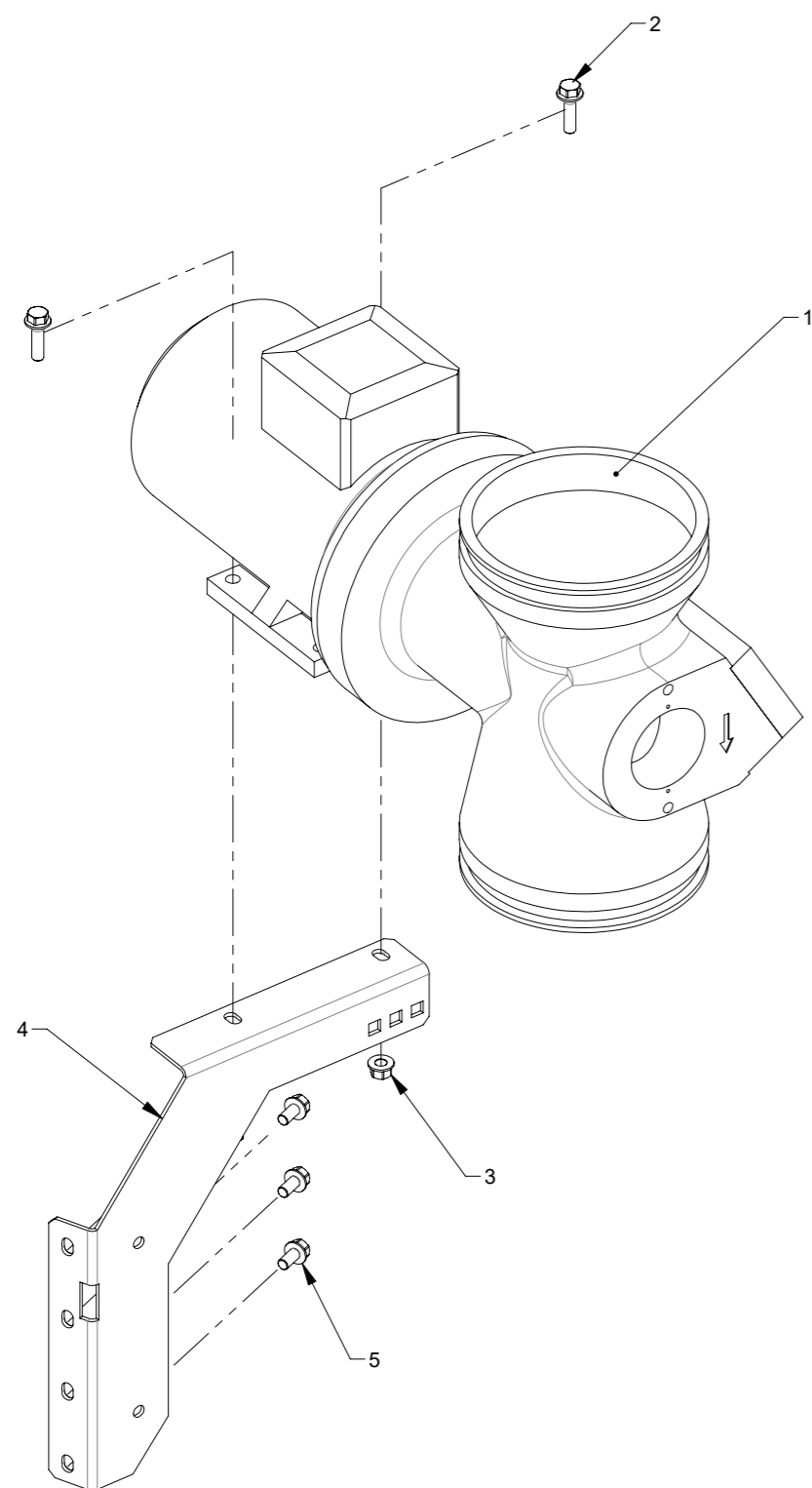
Pos.	Pcs.	Part no.	Description
1	1	123125217	Matrix separator, cobaltblue
2	4	123125157	Locking plate for filter
3	1	123125287	Lid for separator, sandblasted
4	1	123125167	Cover plate for pneumatic cylinder
5	1	123125190	EPDM band for cyklone
6	1	123125191	Protection profile
7	2	100323488	Bagage strap Black 80cm 80N
8	2	100308033	Screw M8x40 DIN 933
9	2	100323301	Eye Bolt M8 X 30
10	2	100316098	Flange nut without teeth M8 DIN6923 elgv
11	2	100323490	Ballknob Ø25-M8 DIN 319
12	28	100323453	Thread forming flange screw M8x16 DIN 7500D
13	4	100413173	O-ring Ø7,6 x 2,62
14	1	100511307	Plug without thread Ø22 plastic
15	1	100511295	Blind plug M25x1,5 plastic
16	1	100511192	Nut M32x1,5 plastic
17	6	100511306	Blind plug M16x1,5 Plastic
18	6	100511245	Nut M16X1,5 plastic
19	1	100203148	Prefilter 3GPA 592x592x48-F7-0-VEX



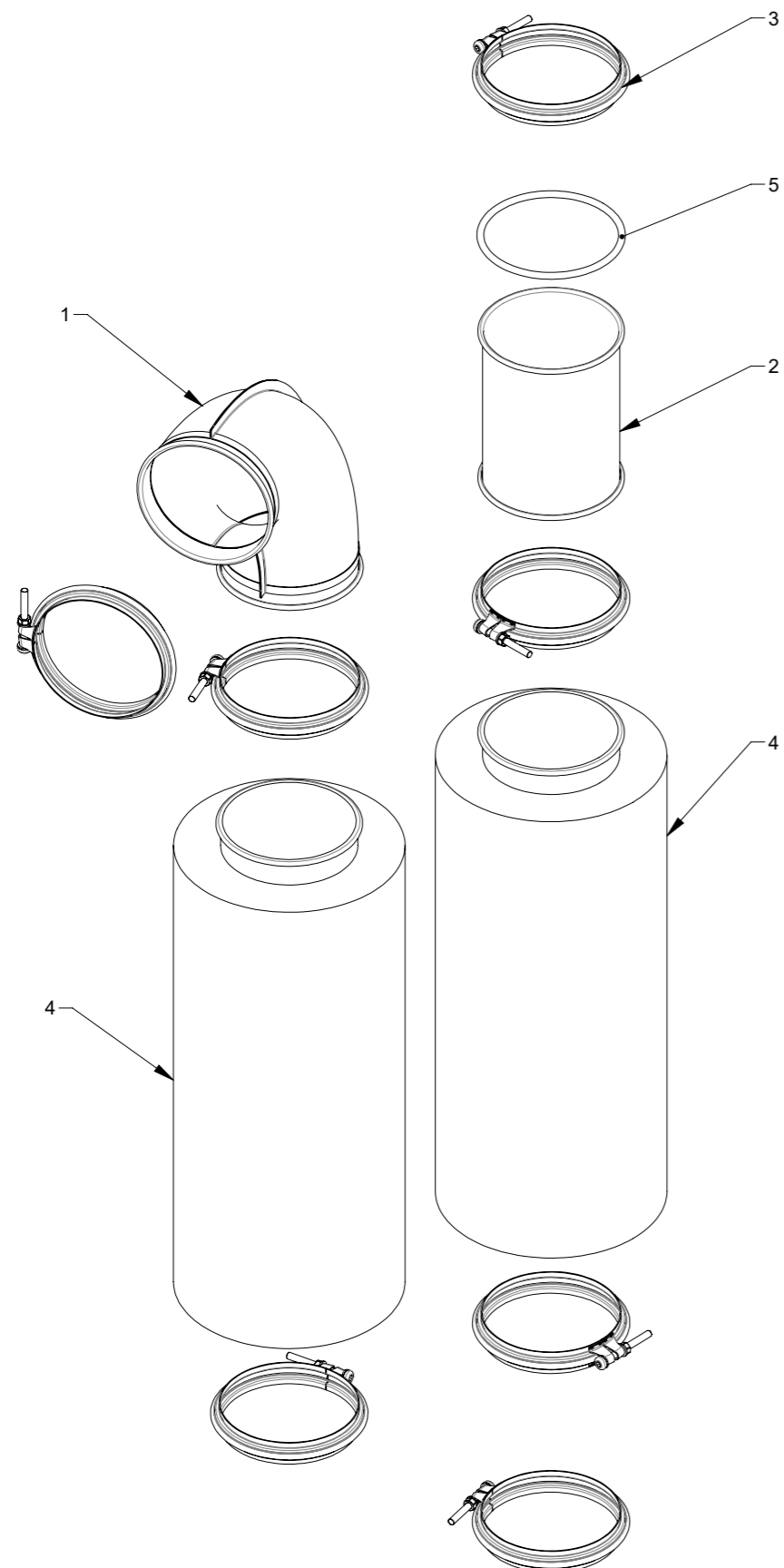
Pos.	Pcs.	Part no.	Description
1	1	123125209	Blower cabinet welded, spaceblue
2	1	123125136	Inspection hatch, spaceblue
3	1	123125146	Rotor M Ø400-Ø28
4	1	123125141	Motor bracket, spaceblue
5	1	123125143	Motor plate for B3 motor, spaceblue
6	1	100501089	AC Motor 112M-2p B3 4(4)kW 3x400/690(460)V 50(60)Hz IE3 UL/CSA PTC
7	1	121000060	Washer Ø52 / Ø11 x 3mm
8	1	100308050	Set screw M10x60 DIN 933 NV17 elgv
9	4	100308209	Flange set screw M12x40 DIN 6921 NV16 elgalv
10	4	100316103	Flange nut with threadlock M12 DIN 6926 elgv
11	3	100323492	Vibration damper Ø25 x L30
12	6	100304009	Set screw M8 x 10mm DIN 933, elgalvanized
13	20	100323453	Thread forming flange screw M8x16 DIN 7500D
14	4	100316102	Flange nut M10 with threadlock DIN 6927



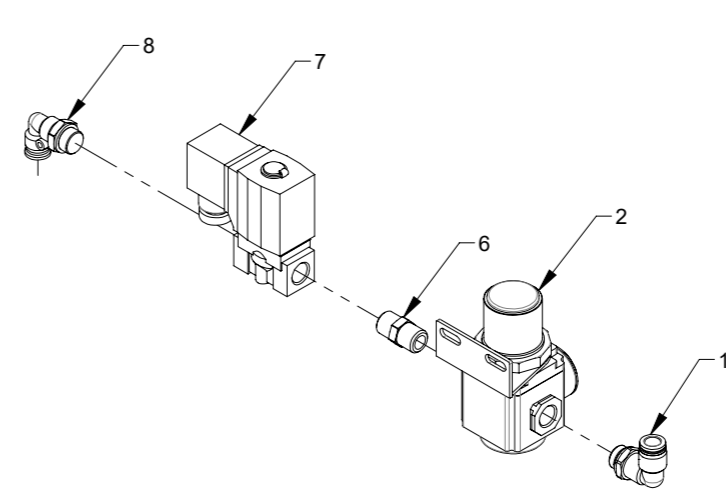
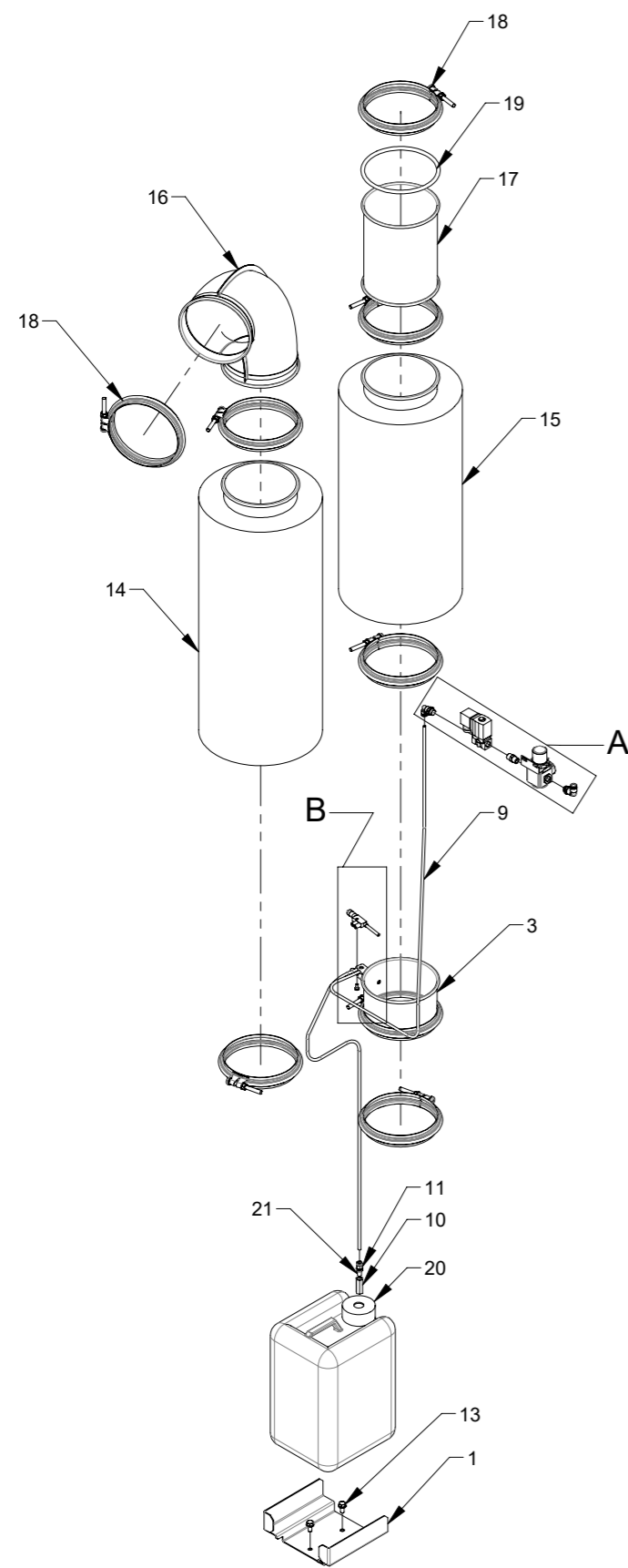
Pos.	Pcs.	Part no.	Description
1	1	123125285	Matrix blower cabinet, spaceblue
2	1	123125119	Matrix inspection hatch, spaceblue
3	1	123125288	Matrix rotor M Ø400-Ø28
4	1	123125142	Matrix motor bracket, spaceblue
5	1	123125143	Motor plate for B3 motor, spaceblue
6	1	100501089	AC Motor 112M-2p B3 4(4)kW 3x400/690(460)V 50(60)Hz IE3 UL/CSA PTC
7	1	121000060	Washer Ø52 / Ø11 x 3mm
8	1	100308050	Set screw M10x60 DIN 933 NV17 elgv
9	4	100308209	Flange set screw M12x40 DIN 6921 NV16 elgalv
10	4	100316103	Flange nut with threadlock M12 DIN 6926 elgv
11	3	100323492	Vibration damper Ø25 x L30
12	6	100304009	Set screw M8 x 10mm DIN 933, elgalvanized
13	20	100323453	Thread forming flange screw M8x16 DIN 7500D
14	4	100316102	Flange nut M10 with threadlock DIN 6927



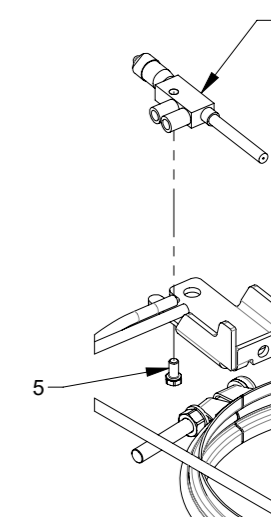
Pos.	Pcs.	Part no.	Description
1	1	100600014	Cutter GR-160-2 (2-knives) 0,75kW 2-pole 3x400V 50Hz
2	2	100308140	Flange set screw M8x30 DIN 6921, elgalvanized
3	2	100316108	Flangenut with threadlock M8 DIN 6927 Elgv.
4	1	123125153	Support bracket for cutter
5	4	100323453	Thread forming flange screw M8x16 DIN 7500D



Pos.	Pcs.	Part no.	Description
1	1	122020094	OK 160 bend 90° R = 240 mm, spaceblue
2	1	122010098	OK 160 pipe L=215mm, spaceblue
3	7	122000857	Clamp with bolt OK160
4	2	123125116	Sounddamper SLTR Ø160x690
5	1	122000132	Rubber ring OK160 x Ø8mm

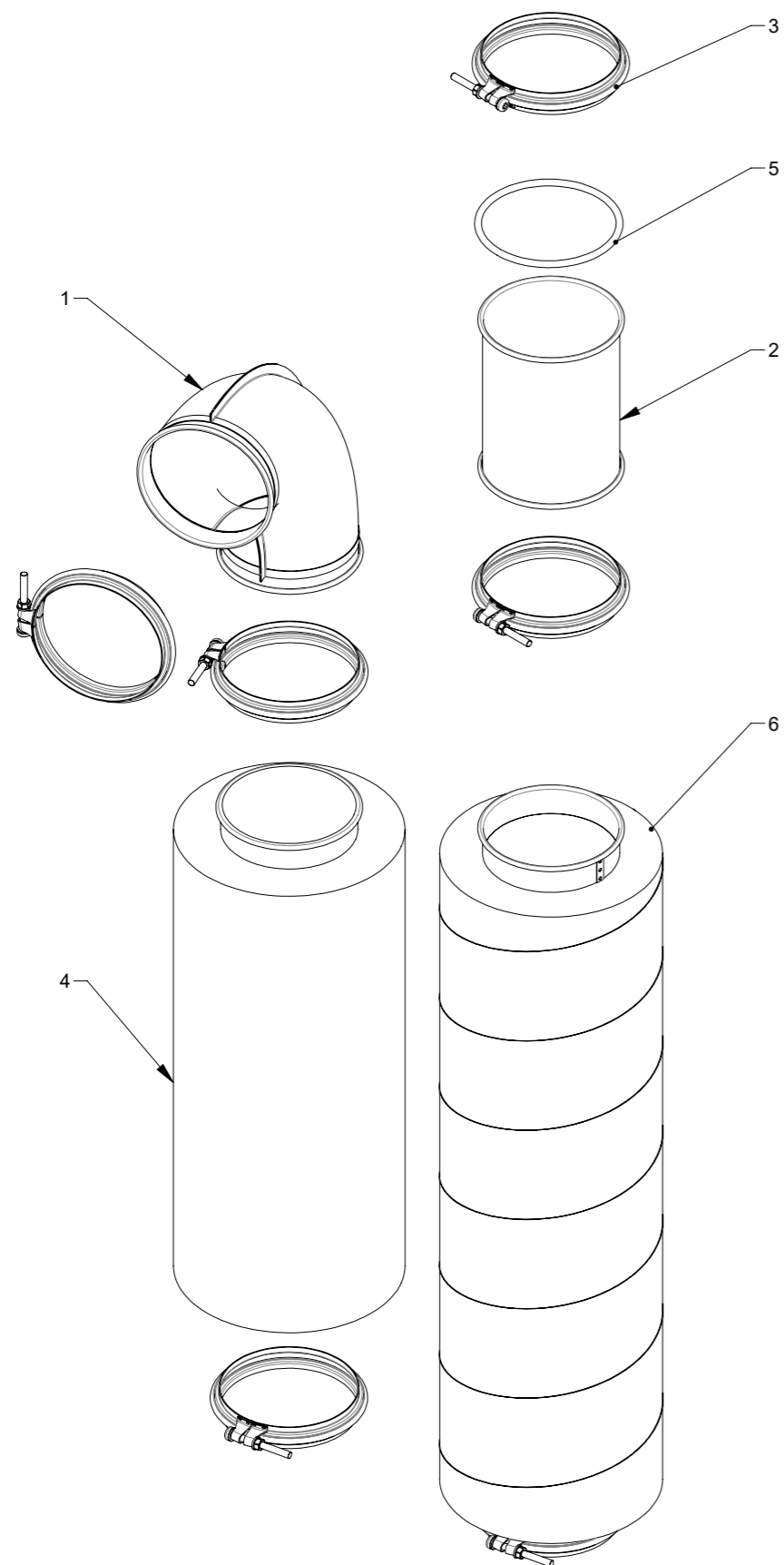


DETAIL A (1 : 4)

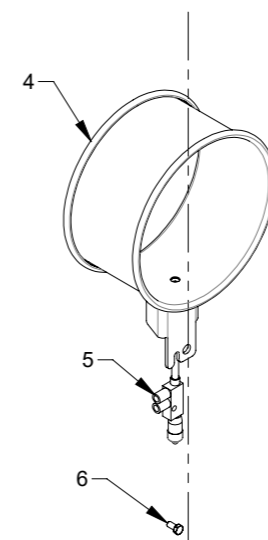
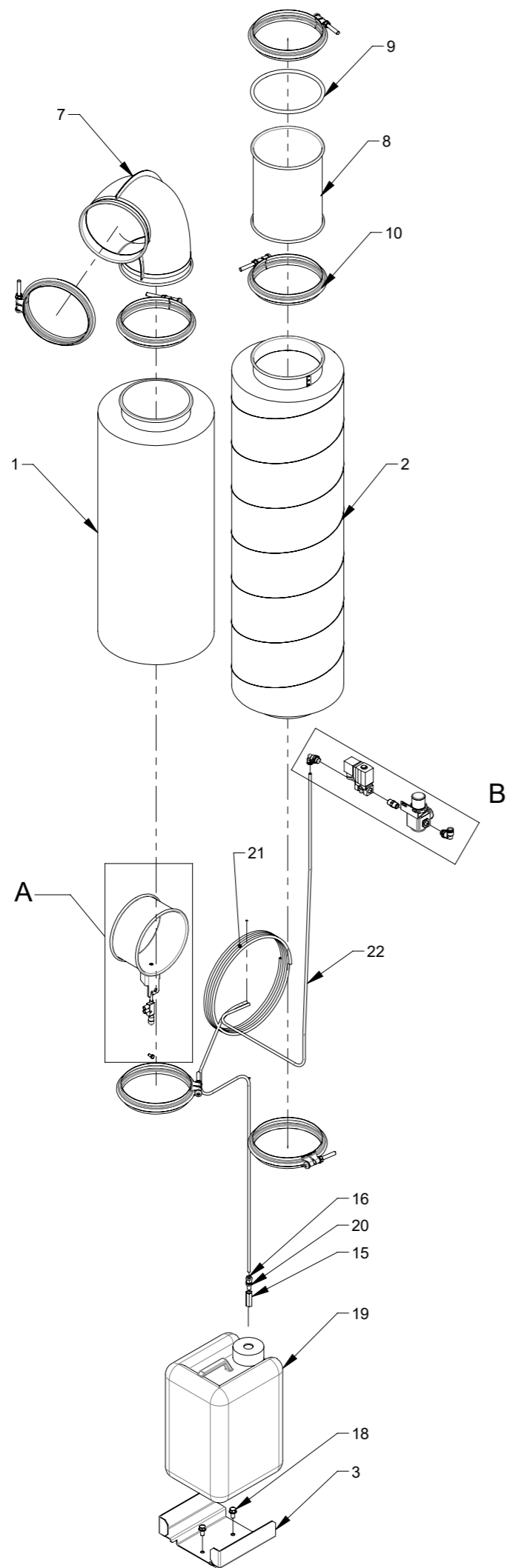


DETAIL B (1 : 4)

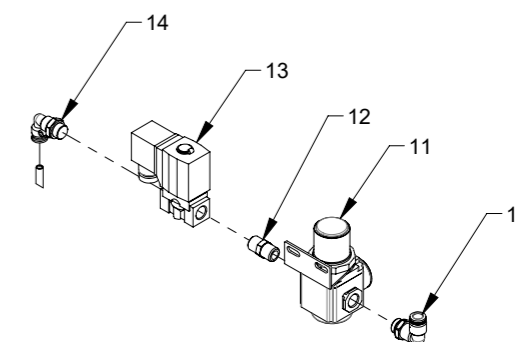
Pos.	Pcs.	Part no.	Description
1	1	123125154	Bracket for oil canister
2	1	100420276	Air regulator G1/4" with bracket
3	1	123125283	Pipe for oil injector, welded
4	1	100420289	Oil injector HPM
5	1	100308013	Set screw M5x10 DIN 933 elgalvanized
6	1	100420251	Nippel G1/4"-G1/4" metal nickel plated
7	1	100420287	Solenoid valve 2/2 G1/4", Fluid/Pneumatik
8	1	100420248	Fitting elbow swivel 1/8" 6mm
9	1	123125199	Hoses for lubrication system
10	1	100420288	Non-return valve Inline G1/8"
11	1	100420249	Fitting straight 1/8" 6mm
12	1	100420273	Fitting 90deg turnable G1/4" 8mm
13	2	100323453	Thread forming flange screw M8x16 DIN 7500D
14	1	123125116	Sounddamper SLTR Ø160x690
15	1	123125118	Sounddamper SLTR Ø160x600
16	1	123125290	OK160 90° bend sandblasted
17	1	123125291	Ok 160 Pipe L=215mm, sandblasted
18	8	122000857	Clamp with bolt OK160
19	1	122000132	Rubber ring OK160 x Ø8mm
20	1	100203164	Plastic container 10L
21	1	100420203	Silencer 1/8"



Pos.	Pcs.	Part no.	Description
1	1	122020094	OK 160 bend 90° R = 240 mm, spaceblue
2	1	122010098	OK 160 pipe L=215mm, spaceblue
3	6	122000857	Clamp with bolt OK160
4	1	123125116	Sounddamper SLTR Ø160x690
5	1	122000132	Rubber ring OK160 x Ø8mm
6	1	131025041	Sound damper OK160 / Ø260x970mm galv.

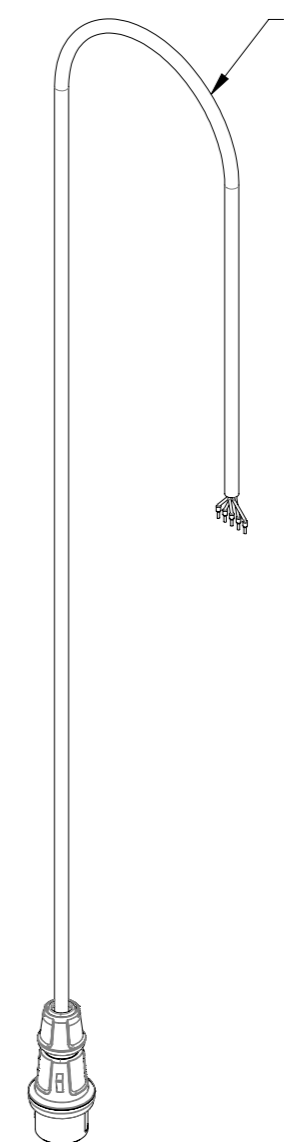
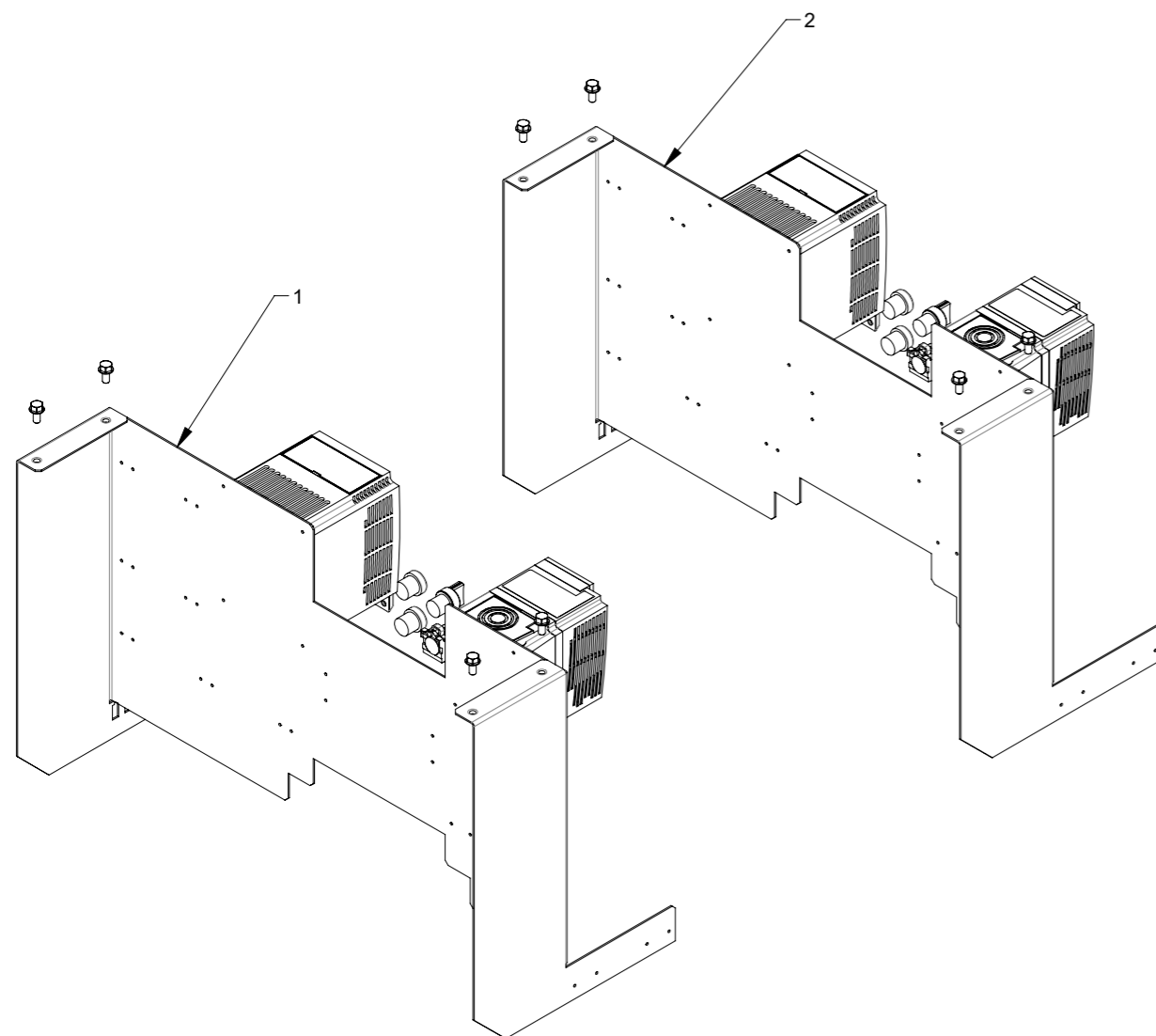


DETAIL A (2 : 13)

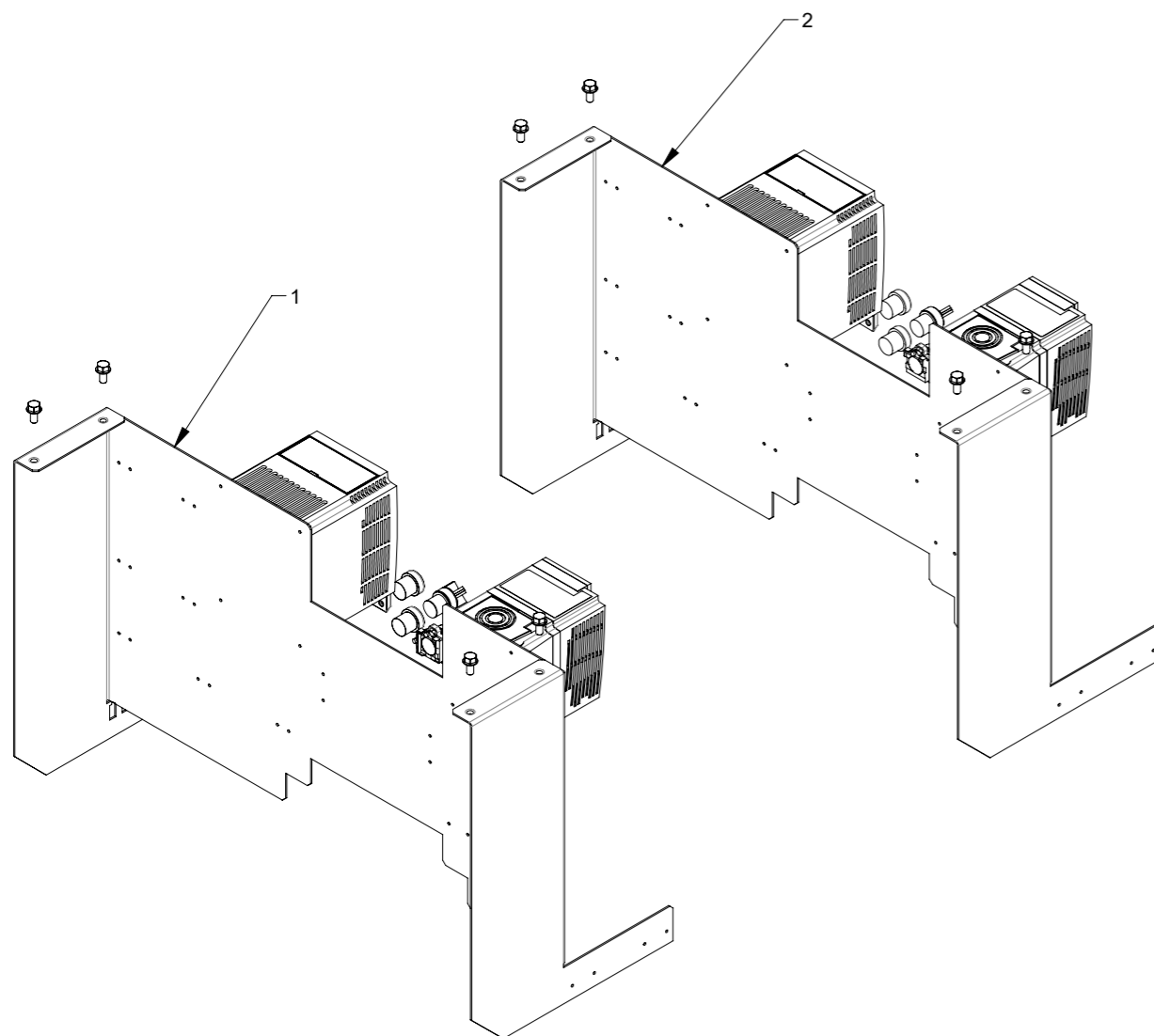


DETAIL B (2 : 13)

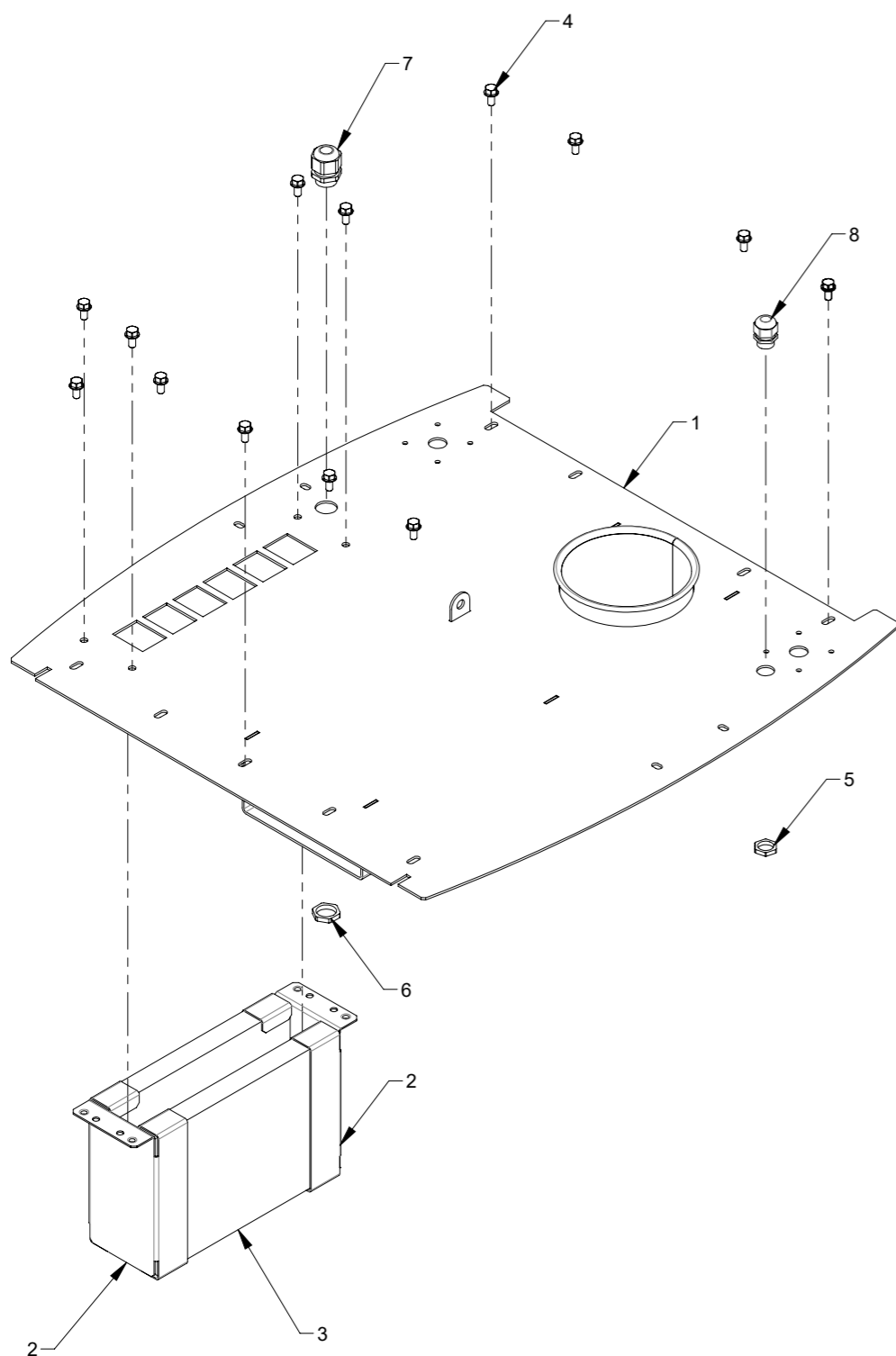
Pos.	Pcs.	Part no.	Description
1	1	123125116	Sounddamper SLTR Ø160x690
2	1	131025041	Sound damper OK160 / Ø260x970mm galv.
3	1	123125154	Bracket for oil canister
4	1	123125283	Pipe for oil injector, welded
5	1	100420289	Oil injector HPM
6	1	100308013	Set screw M5x10 DIN 933 elgalvanized
7	1	123125290	OK160 90° bend sandblasted
8	1	123125291	Ok 160 Pipe L=215mm, sandblasted
9	1	122000132	Rubber ring OK160 x Ø8mm
10	6	122000857	Clamp with bolt OK160
11	1	100420276	Air regulator G1/4" with bracket
12	1	100420251	Nippel G1/4"-G1/4" metal nickel plated
13	1	100420287	Solenoid valve 2/2 G1/4", Fluid/Pneumatik
14	1	100420248	Fitting elbow swivel 1/8" 6mm
15	1	100420288	Non-return valve Inline G1/8"
16	1	100420249	Fitting straight 1/8" 6mm
17	1	100420273	Fitting 90deg turnable G1/4" 8mm
18	2	100323453	Thread forming flange screw M8x16 DIN 7500D
19	1	100203164	Plastic container 10L
20	1	100420203	Silencer 1/8"
21	1	100420210	25m pneumatic hosee Ø6/Ø4 blue
22	1	123125199	Hoses for lubrication system



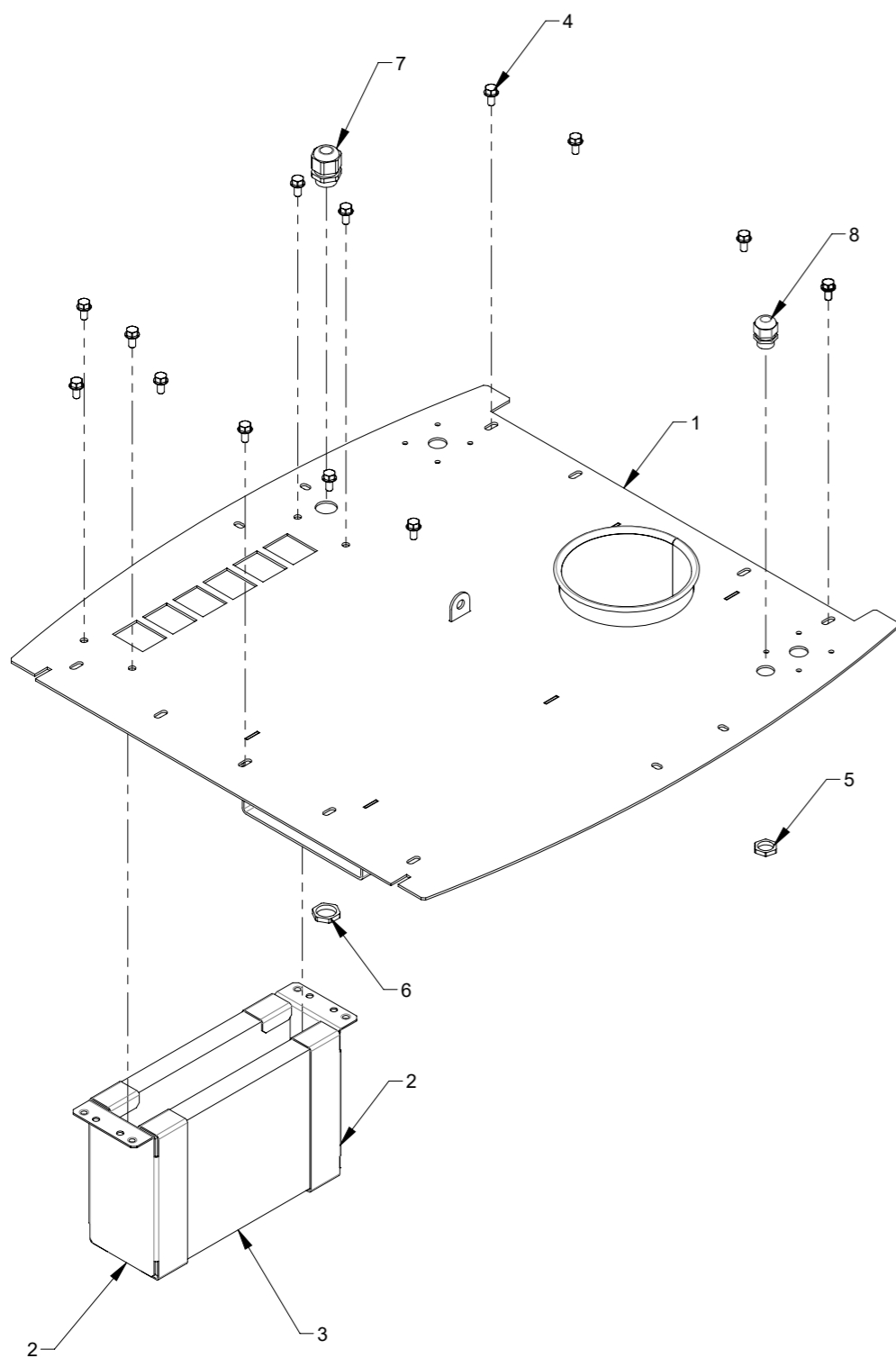
Pos.	Pcs.	Part no.	Description
1	1	123125047	Controls 2,2kW CE, assembled
2	1	123125048	Controls 4kW CE, assembled
3	1	123125045	Powercable with CEE plug 16A 5 pole 2,5mm ²



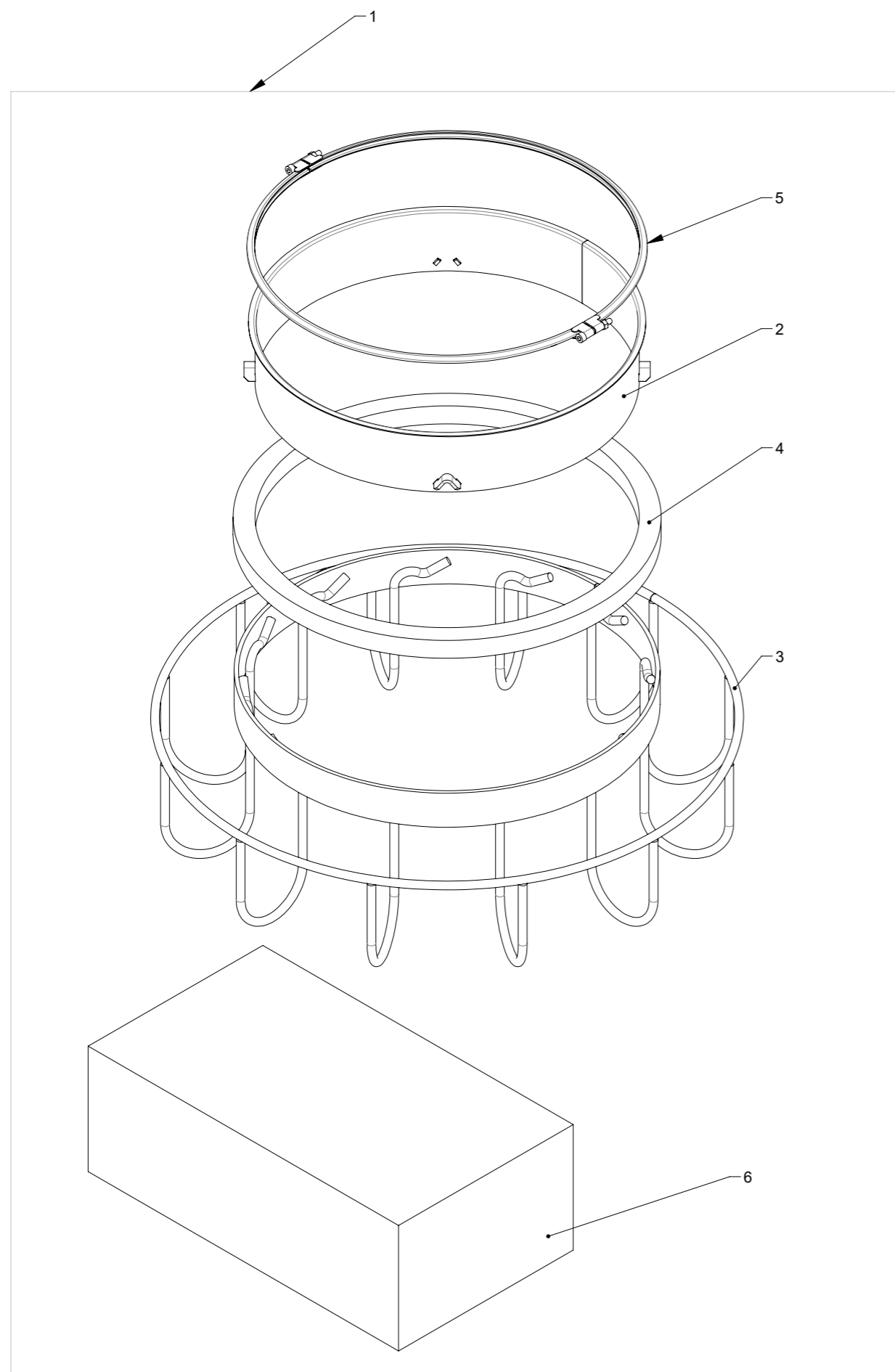
Pos.	Pcs.	Part no.	Description
1	1	123125031	Controls 2,2kW UL/CSA, assembled
2	1	123125046	Controls 4kW UL/CSA, assembled



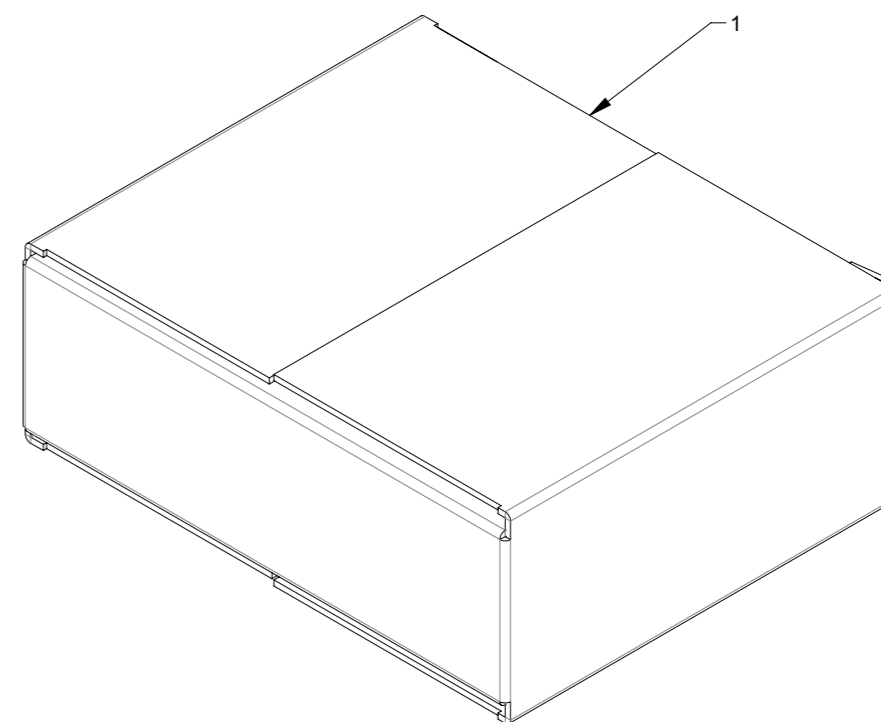
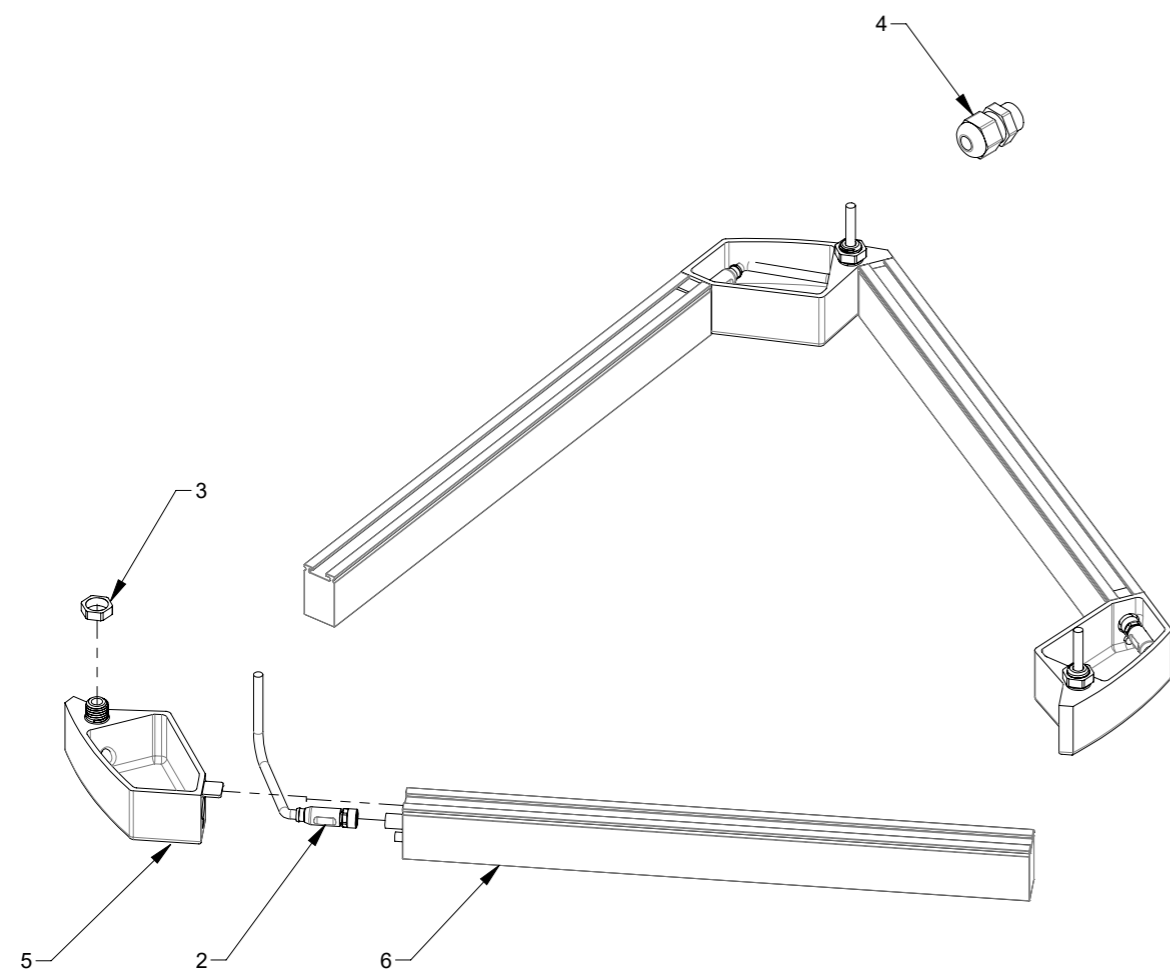
Pos.	Pcs.	Part no.	Description
1	1	123125216	Top for cabinet, cobalt blue
2	2	123125155	Sound dampener bracket
3	2	123125156	Silencer foam
4	14	100323453	Thread forming flange screw M8x16 DIN 7500D
5	1	100511215	Nut M20X1,5 plastic
6	1	100511191	Nut M25 x 1,5 plastic
7	1	100511182	Cable screw gland M25x1,5 plastic
8	1	100511260	Cable screw gland M20x1,5



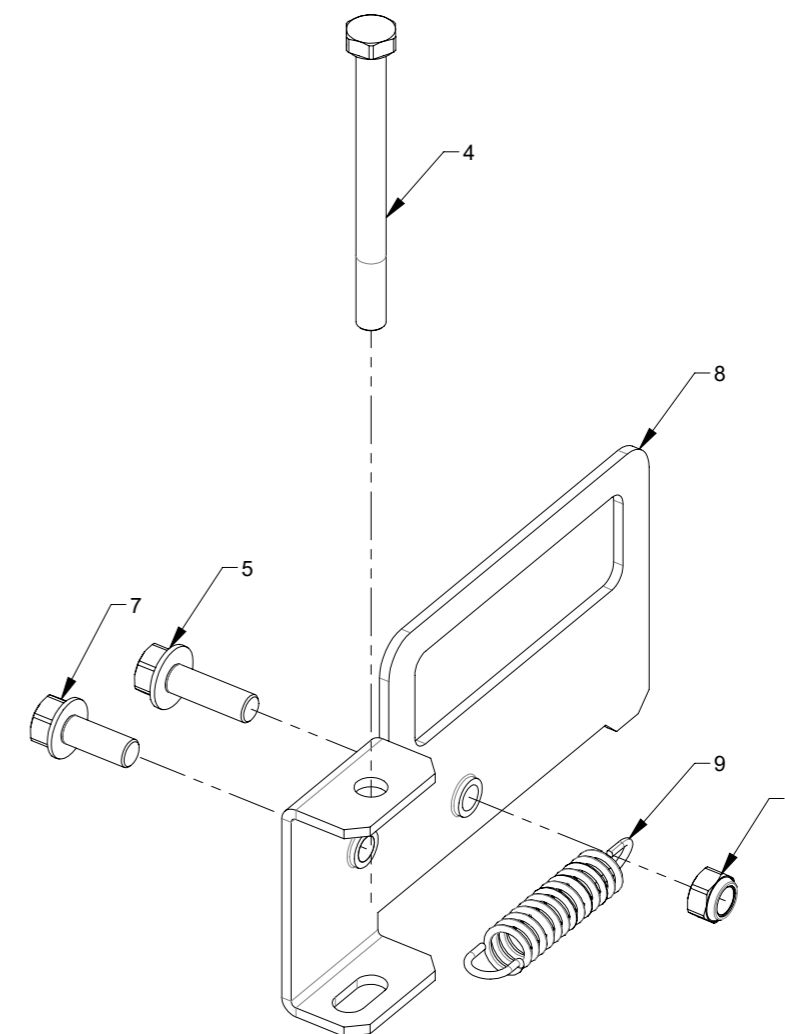
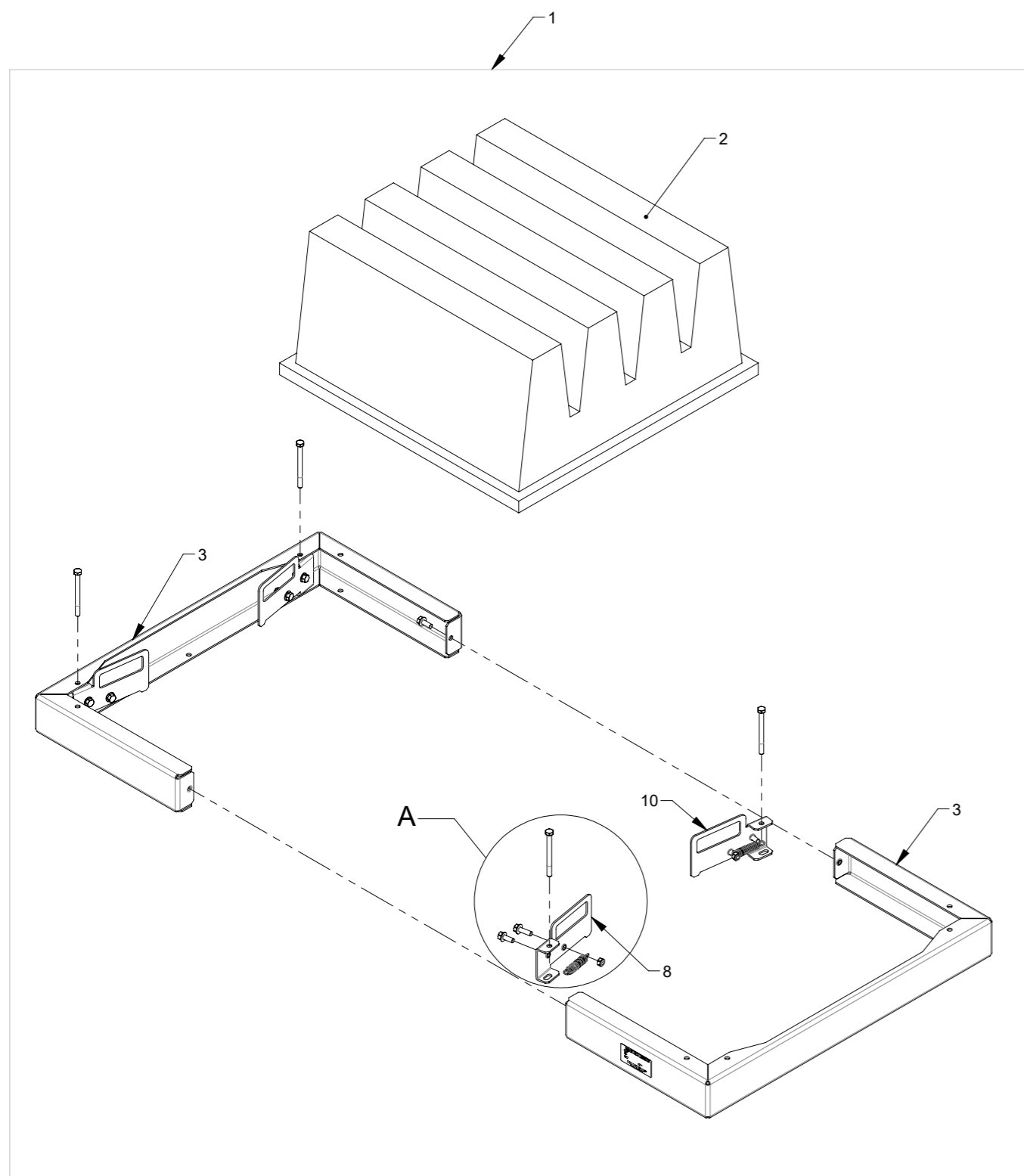
Pos.	Pcs.	Part no.	Description
1	1	123125218	Matrix top for cabinet, cobalt blue
2	2	123125155	Sound dampener bracket
3	2	123125156	Silencer foam
4	14	100323453	Thread forming flange screw M8x16 DIN 7500D
5	1	100511215	Nut M20X1,5 plastic
6	1	100511191	Nut M25 x 1,5 plastic
7	1	100511182	Cable screw gland M25x1,5 plastic
8	1	100511260	Cable screw gland M20x1,5



Pos.	Pcs.	Part no.	Description
1	1	123125600	Endless bag system
2	1	123125181	Basket holder, welded
3	1	123125182	Basket for bag holder welded
4	1	123125179	Sealing for bag holder
5	1	9251683011	FK 350 bolt clamp, 1mm galv
6	2	100203146	Endless bag, cassette of 90m, Ø570mm Maxi, strong, transparant

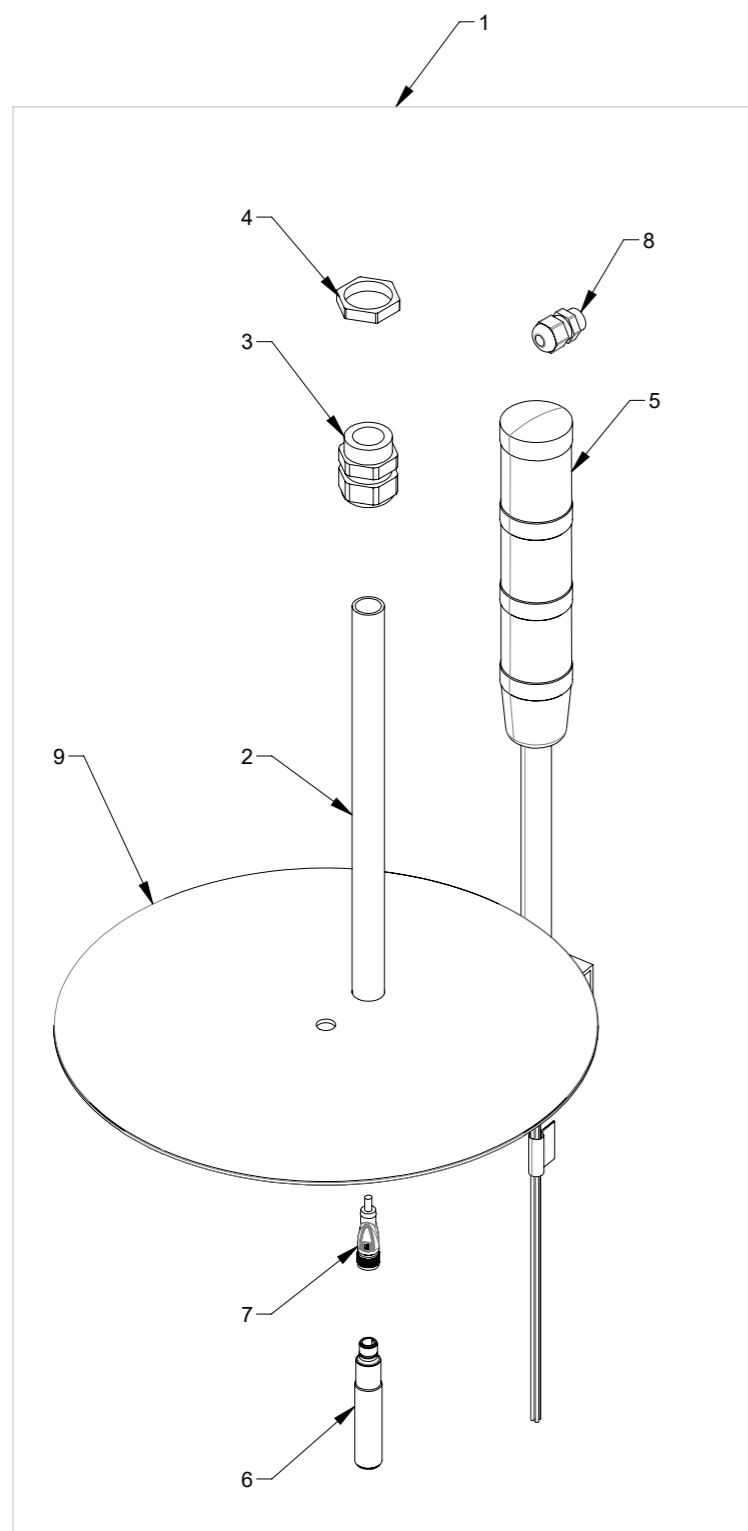


Pos.	Pcs.	Part no.	Description
1	1	123125607	Anti Static system - CE/UL/CSA
2	3	100503427	Sensor cable M8 plug 4P 5m
3	3	100511259	Nut M12 x1,5 plastic
4	1	100511244	Cable screw gland M16x1,5
5	3	123125294	Ionisingbar cable bracket
6	3	100503426	Ionising rod 24VDC 330mm Fraser E3014-0330

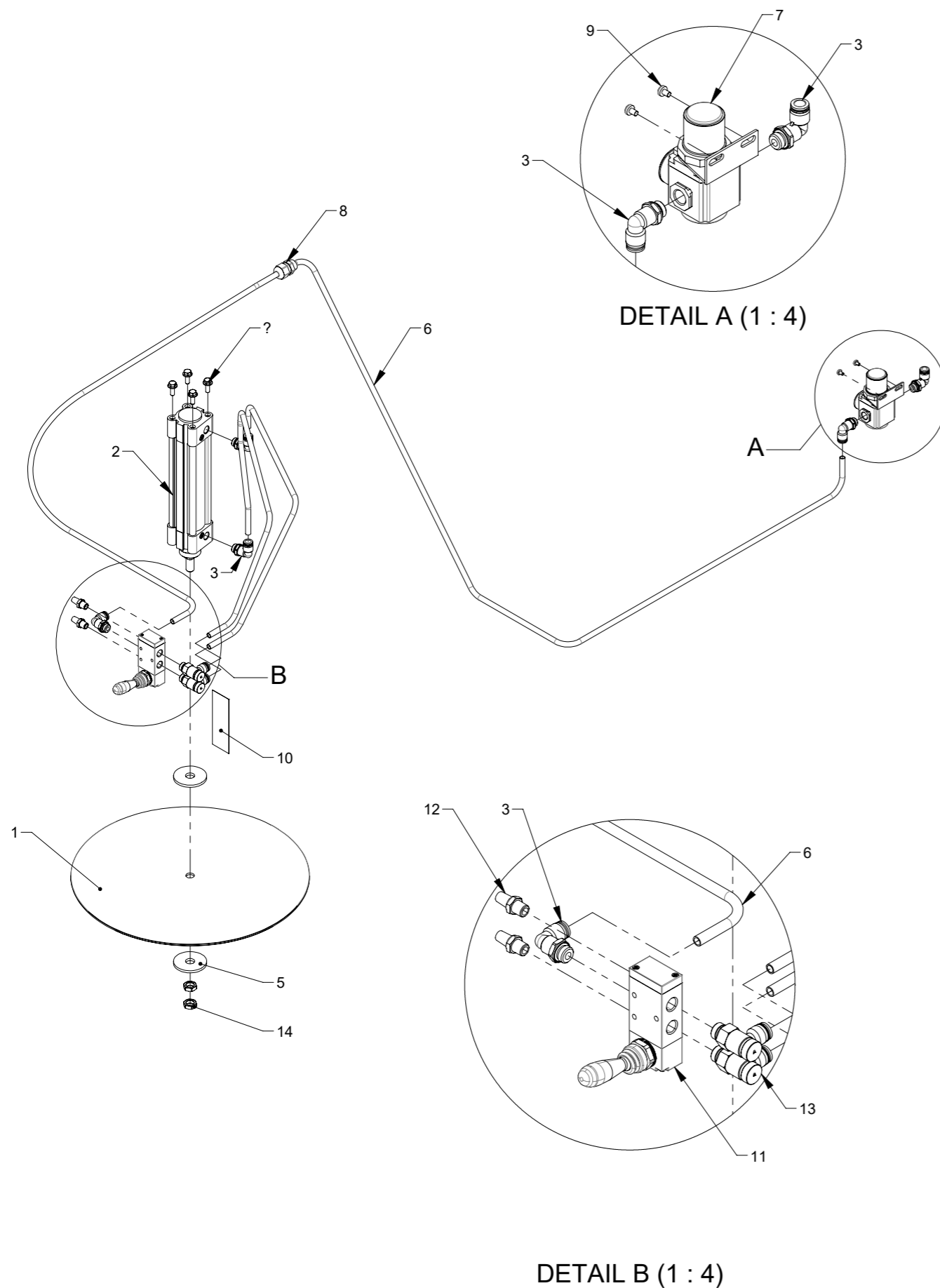


DETAIL A (1 : 2)

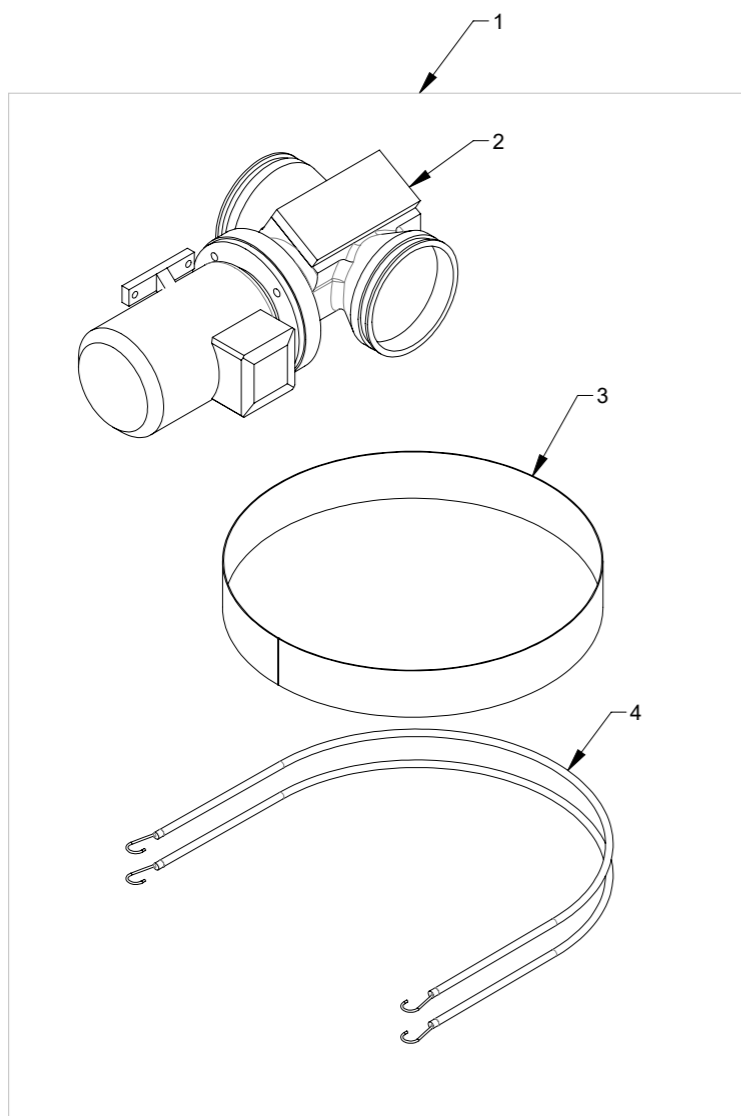
Pos.	Pcs.	Part no.	Description
1	1	123125029	HEPA Filter option
2	1	100203147	Hepa Filter VGHF14-592x592x292-F
3	2	123125196	Filter bracket half part
4	4	100306023	Screw M8 x 90mm DIN 931, elgalvanized
5	4	100323381	Flange set screw M8x25 DIN 6921
6	4	100316003	Self locking nut M8 DIN 985-6, elgalvanized
7	6	100323454	Thread forming flange screw M8x20 DIN 7500D
8	2	123125198	Filter locking handle right
9	4	100323491	Spring Ø2XØ14X50 Fn=164N Pianowire, Sodemann 32340
10	2	123125197	Filter locking handle left



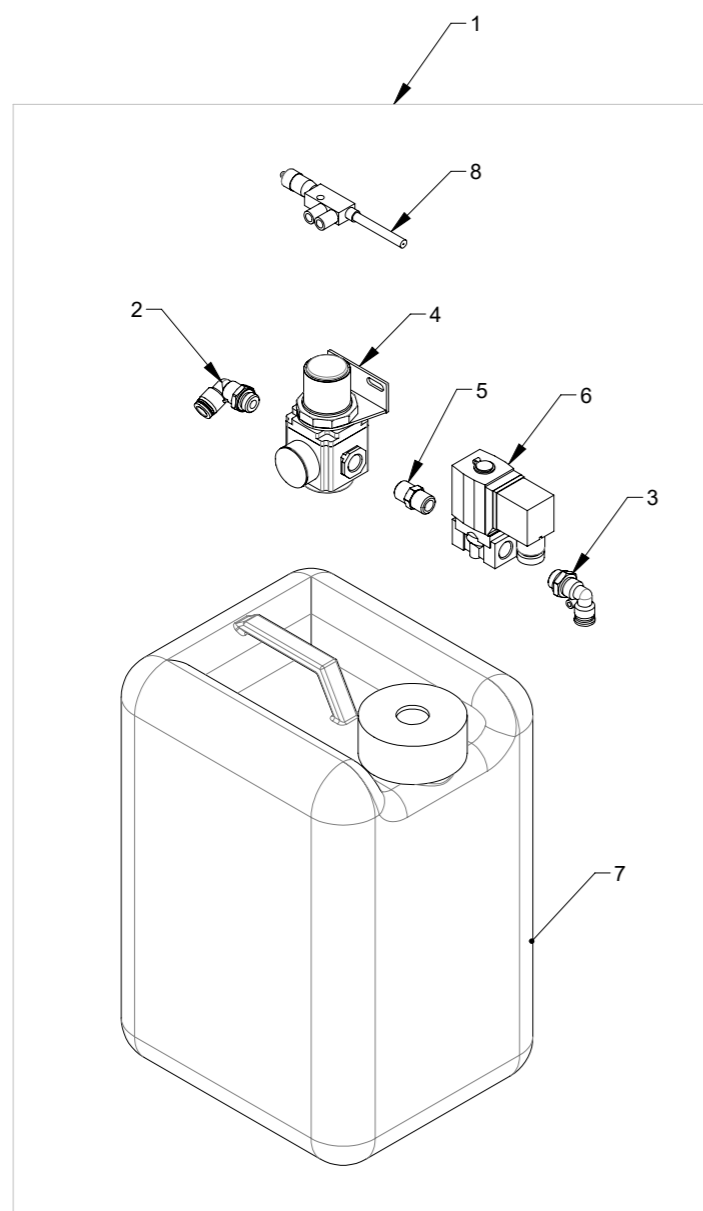
Pos.	Pcs.	Part no.	Description
1	1	123125036	Distance sensor with LED tower
2	1	123125175	Tube for distance sensor
3	1	100511183	Cable screw gland M32x1,5
4	1	100511192	Nut M32x1,5 plastic
5	1	100503425	Signaltower Ø45 Red/Orange/Green Schneider XVMB2RAGSB
6	1	100503426	Capacitive sensor IFM UGT203
7	1	100503323	Cabel for Ultrasonic sensor
8	1	100511244	Cable screw gland M16x1,5
9	1	123125165	Valve plate for distance sensor



Pos.	Pcs.	Part no.	Description
1	1	123125168	Valve plate
2	1	100420285	Aircylinder Ø40x125mm 1/4" with dampening ISO 15552
3	5	100420273	Fitting 90deg turnable G1/4" 8mm
4	4	100323398	Flange head screw M6x16 EN 1665, elgalvanized
5	2	100331100	Washer M12 Ø50/ø14 x 4mm
6	1	123125169	Pneumatic hoses for shutter
7	1	100420276	Air regulator G1/4" with bracket
8	1	100511244	Cable screw gland M16x1,5
9	2	100323449	Thread forming screw M4x6 elgv
10	1	123125952	Label "Material valve", black on white
11	1	100420286	Mechanical airvalve 5/2 G1/4" 4H210
12	2	100420203	Silencer 1/8"
13	2	100420290	Fitting 90degree oneway-valve G1/4" Ø8, Pneumatic
14	2	100350086	Hex jam nut M12x1,25 DIN439 A2



Pos.	Pcs.	Part no.	Description
1	1	123125612	CB/CUB spare part kit
2	1	100600014	Cutter GR-160-2 1500(1800)rpm 0,75(0,75)kW 3x400(460)V 50(60)Hz IE3 UL/CSA
3	1	123125190	EPDM band for cyklone
4	2	100323488	Bagage strap Black 80cm 80N



Pos.	Pcs.	Part no.	Description
1	1	123125613	CB/CUB Matrix oil accessory kit
2	1	100420273	Fitting 90deg turnable G1/4" 8mm
3	1	100420248	Fitting elbow swivel 1/8" 6mm
4	1	100420276	Air regulator G1/4" with bracket
5	1	100420251	Nippel G1/4"-G1/4" metal nickel plated
6	1	100420287	Solenoid valve 2/2 G1/4", Fluid/Pneumatik
7	1	100203164	Plastic container 10L
8	1	100420289	Oil injector HPM

Kongskilde Industries A/S
Skælskørvej 64
DK - 4180 Sorø
Tel. +45 72 17 60 00
mail@kongskilde-industries.com
www.kongskilde-industries.com