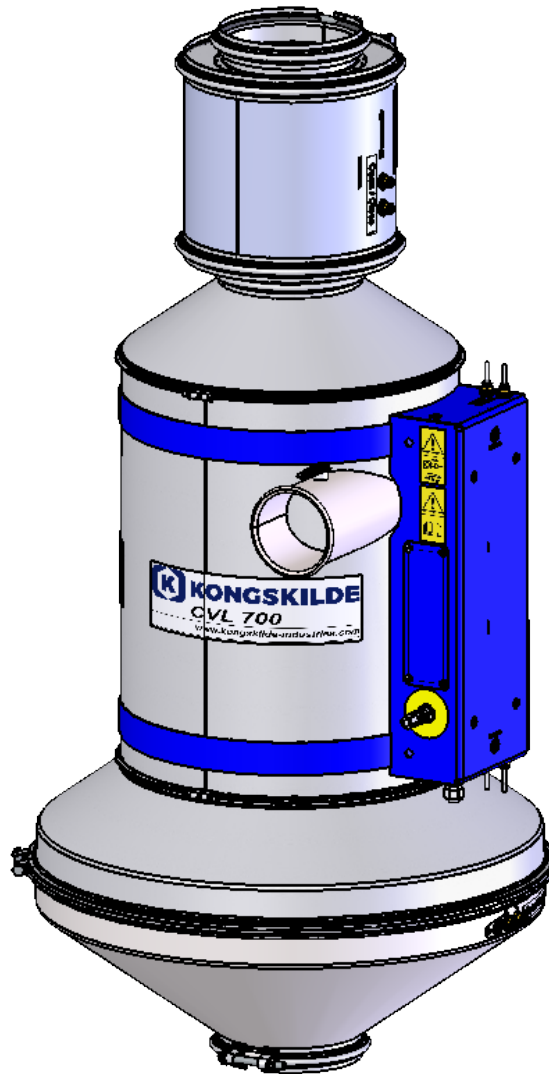
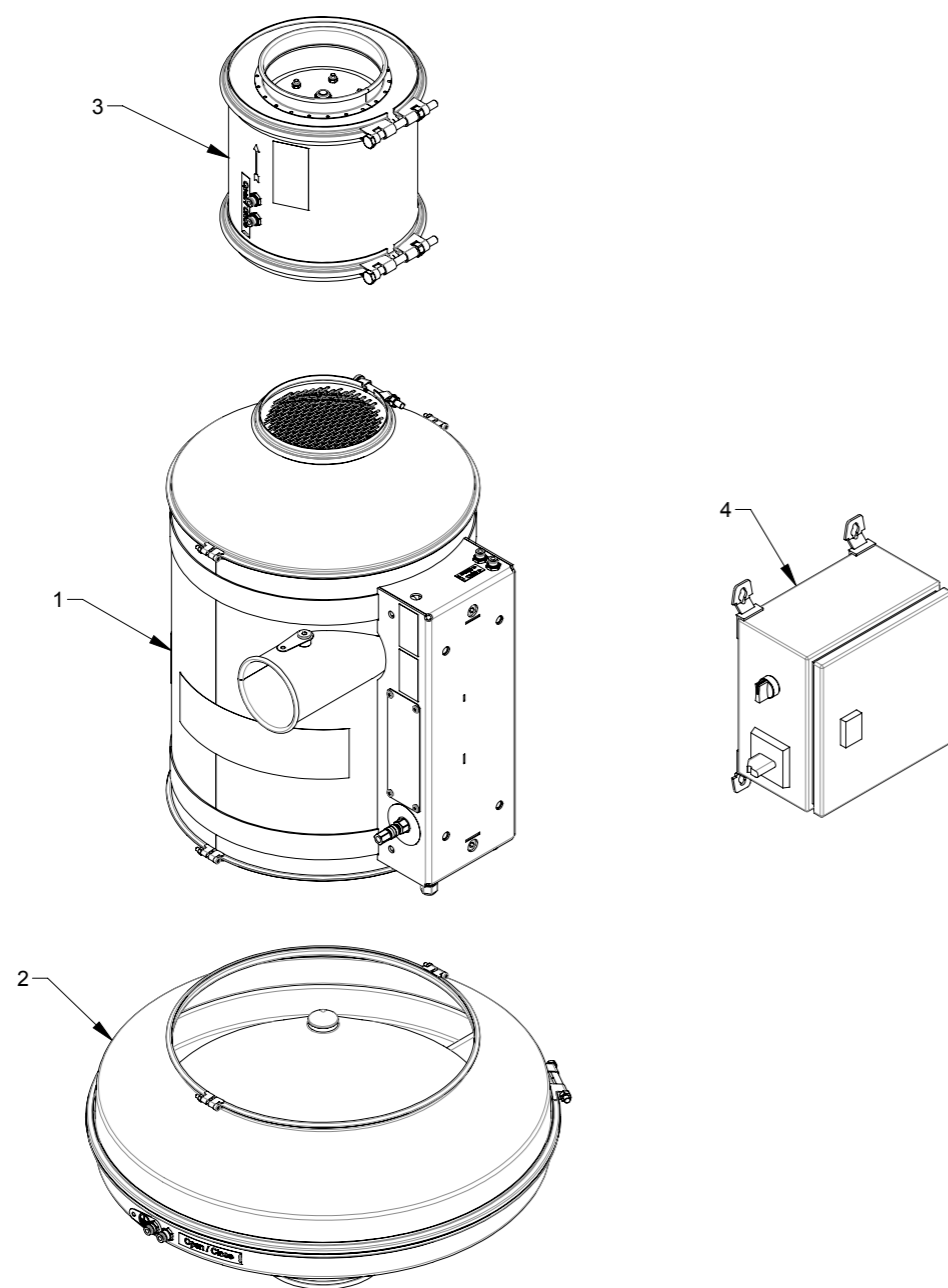


# CVL 700

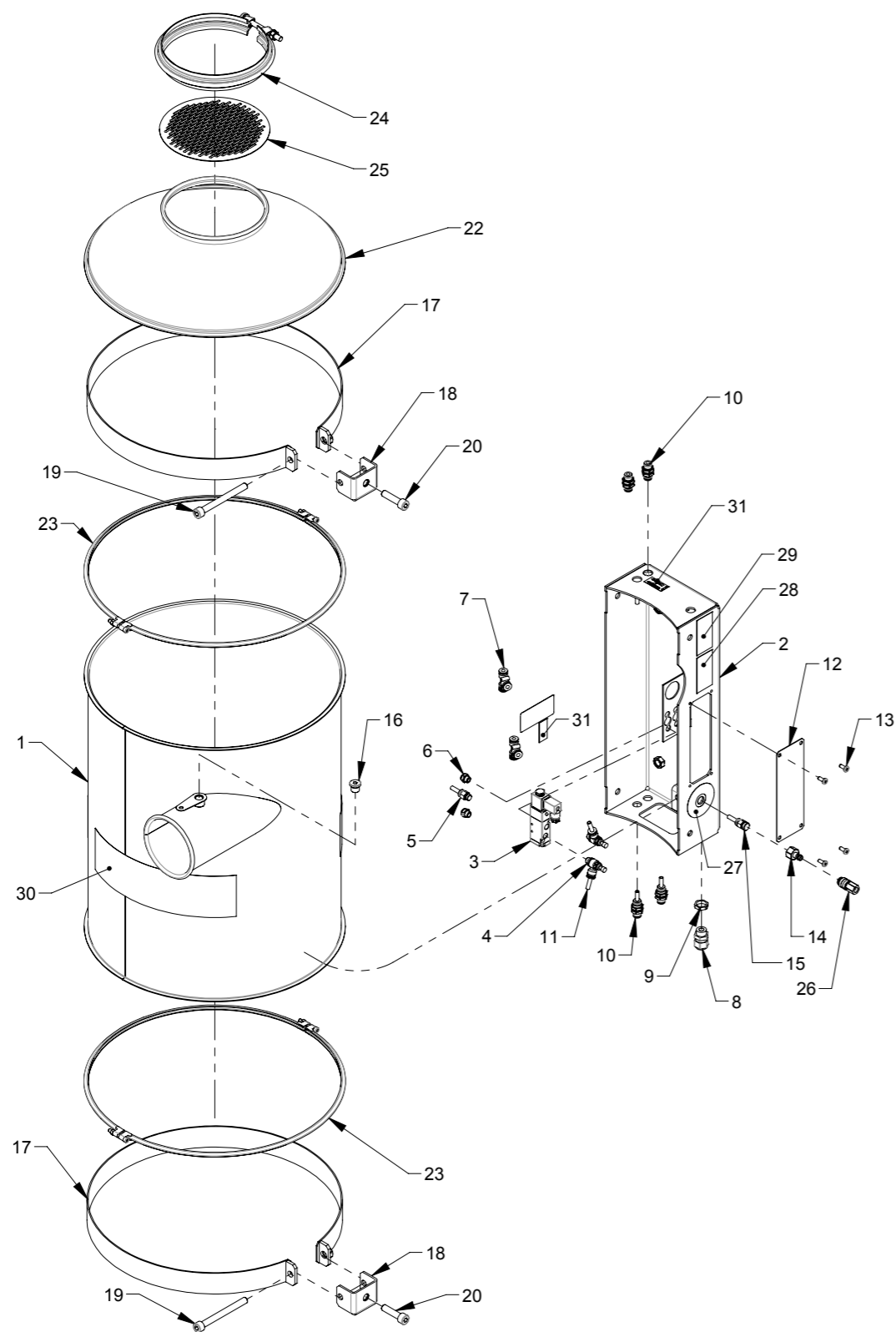
## Component Vacuum Loader



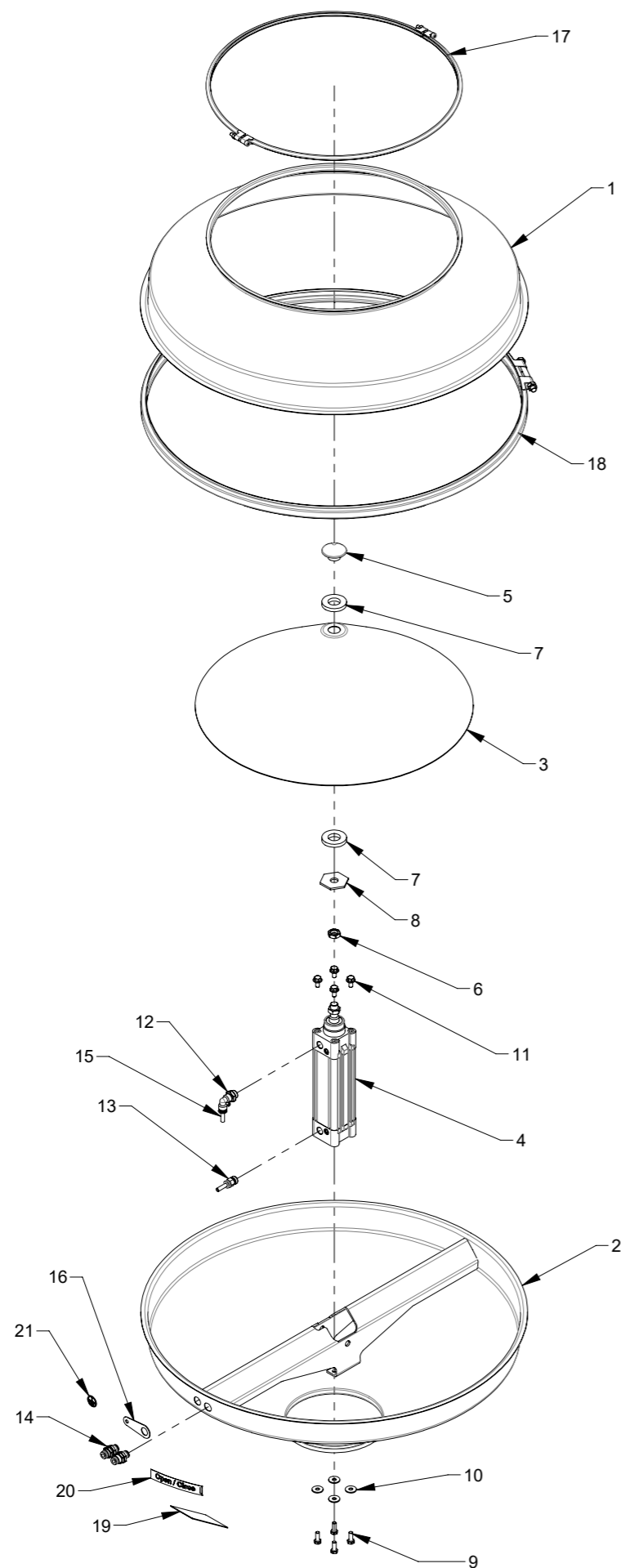
Spare parts list (from sales no. 123102103)



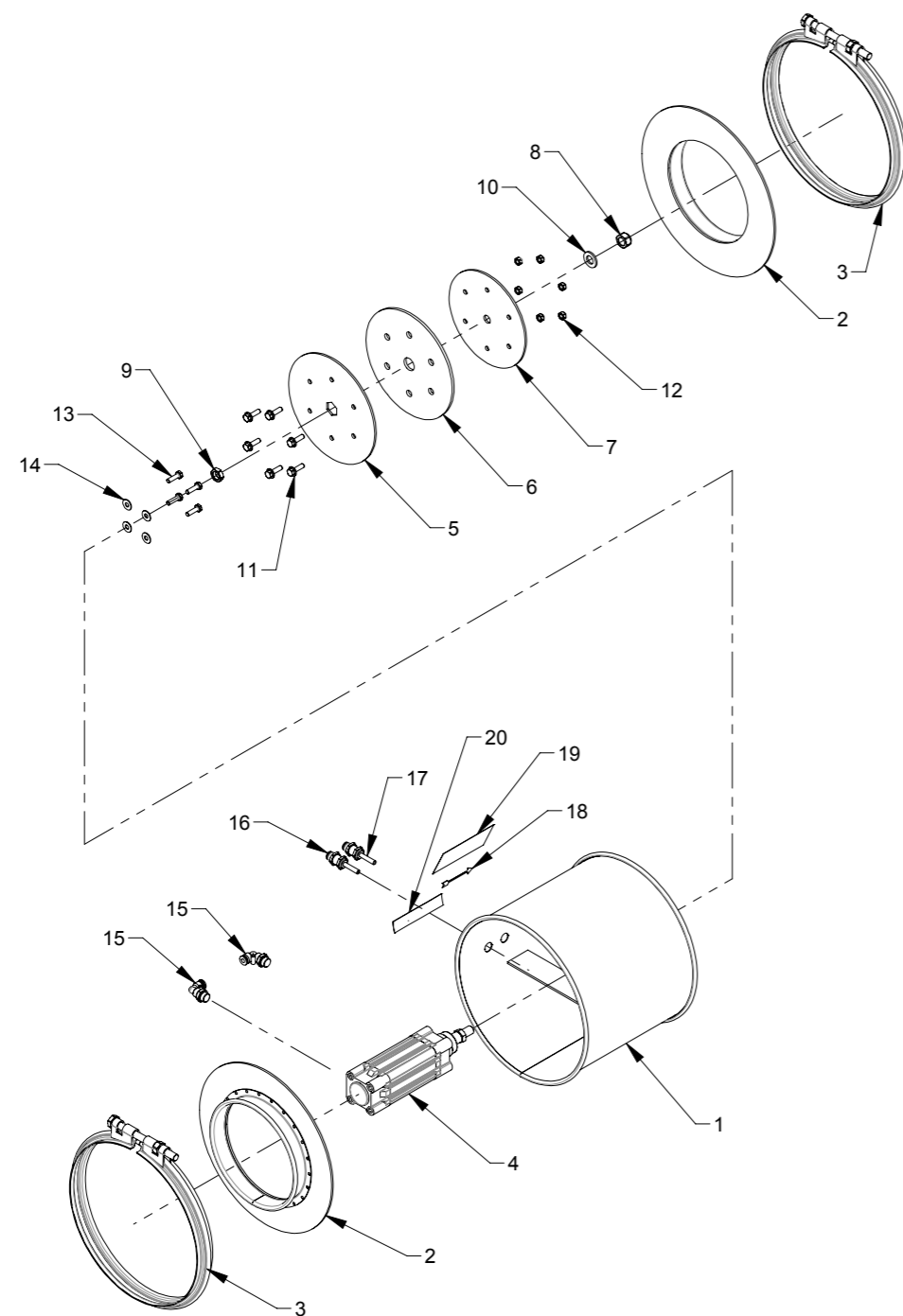
Pos.	Pieces	Part no.	Notes
1	1	123102901-04-05	Barrel
2	1	123102901-06-07	Bottom gate
3	1	123102901-08-09	Inline Valve
4	1	123102901-10-11	Control Box
5	1	123102901-12-13	Options
6	1	123102901-14-15	Floor stand and Wall bracket



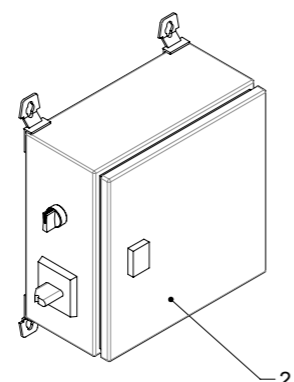
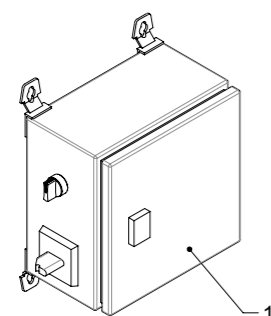
Pos.	Pieces	Part no.	Notes
1	1	123102501	Barrel, welded
2	1	123102631	Back consol, welded
3	1	100420245	Solenoidvalve 5/2 way, 24VDC
4	2	100420244	Banjo flow control 1/8" (in)
5	1	100420249	Fitting straight 1/8" 6mm
6	2	100420243	Silencer G1/8" flat pneumatic
7	2	100420247	T connector 6mm
8	1	100511244	Cable screw gland M16x1,5
9	1	100511245	Nut M20 x 1,5 Plast
10	4	100420246	Bulkhead connector 6mm
11	7	100420210	Pneumatic pipe ø6/4 blue polyurethan
12	1	123102515	Cover for back consol
13	4	100321010	Pan head machine screw M5x12 DIN 7985A el galvanized
14	1	100420231	Plug G1/4"
15	1	100420242	Fitting straight 1/4" 6mm
16	1	100420232	Plug G1/4" male galv.
17	2	123102541	Clamp ø400, welded
18	2	123102546	Pull part, welded
19	2	100309038	Cylinder screw M10x100 DIN 912 12.9 elgv.
20	2	100309041	Cylinder screw M10x40 DIN 912 8.8 elgv.
21	1	123102609	Plate for grounding point
22	1	123102529	Cone OK160-FK400
23	2	125500312	Pull ring ø400 narrow for 2 mm, galv.
24	1	122000857	Clamp with bolt OK160
25	1	131010129	Air intake screen
26	1	100420230	Coupling 233 G1/8"
27	1	121000832	Transfer "Yellow background", Ø60/22,5mm, without text
28	1	121115071	Transfer "Read users manual"
29	1	121115073	Transfer "Interrupt electricity before service"
30	3	123102950	Transfer CVL 700
31	2	123102629	Transfer "< Open < Close"



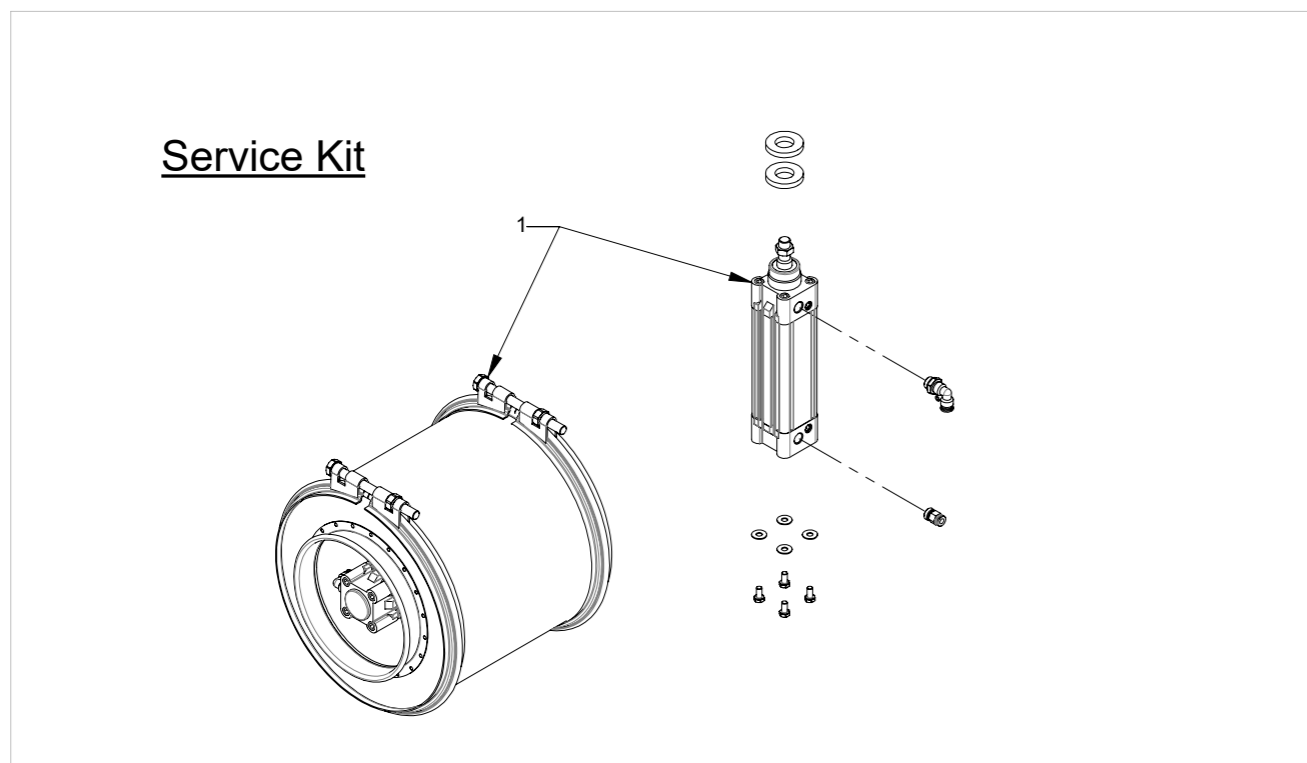
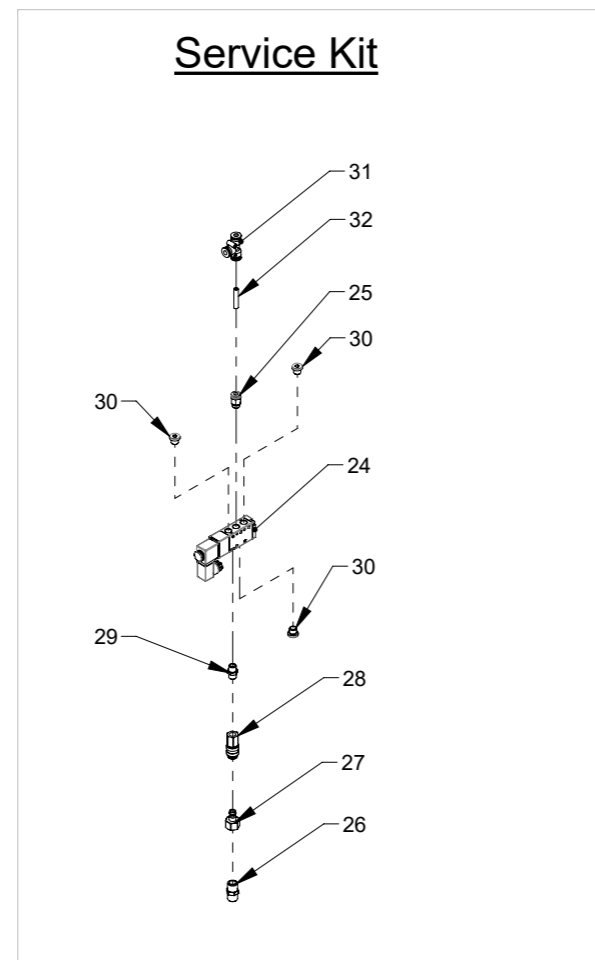
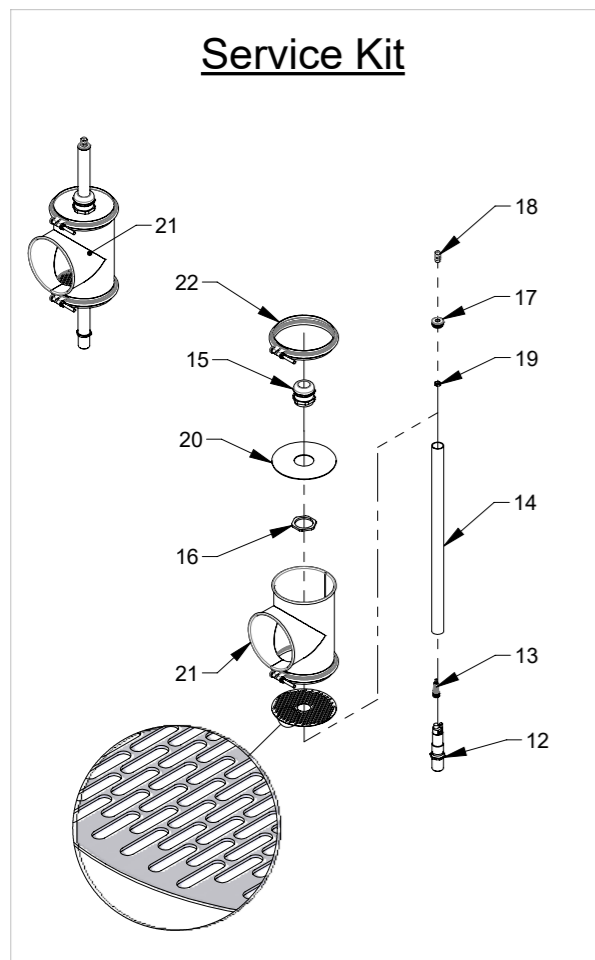
Pos.	Pieces	Part no.	Notes
1	1	123102506	Top for hopper
2	1	123102620	Bottom hopper with boom welded
3	1	123102535	Valve Cone e-polished
4	1	100420234	Cylinder Ø40x100 ISO 15552
5	1	123102532	Top nut with konus M12x1,25
6	1	100350086	Hex jam nut M12x1,25 DIN439 A2
7	2	123102622	Flexible disc
8	1	123102623	Disc hex
9	4	100323041	M6x16 DIN 933
10	4	100331089	Washer M10
11	4	100323386	M6x12 DIN 6921
12	1	100420248	Fitting elbow swivel 1/8" 6mm
13	1	100420242	Fitting straight 1/4" 6mm
14	2	100420246	Bulkhead connector 6mm
15	2	100420210	Pneumatic pipe ø6/4 blue polyurethan
16	1	123102609	Plate for grounding point
17	1	125500312	Pull ring ø400 narrow for 2 mm, galv.
18	1	125500414	Rapid lock pull rings with bolt, ø600, galvanised
19	1	131081428	Transfer "Do not put hand inside"
20	1	123102628	Transfer "Open / Close"
21	1	121000828	Transfer "Ground symbol", Ø20mm



Pos.	Pieces	Part no.	Notes
1	1	123102616	Housing for inline valve, welded
2	2	123102557	End for inline valve, welded
3	2	122000701	Clamp with bolt OK250
4	1	100420233	Cylinder Ø40x50 ISO 15552
5	1	123102614	Valve plate 1
6	1	123102552	Valve sealing
7	1	123102615	Valve plate 2
8	1	100316107	Lock nut M12x1,25 DIN 985-6
9	1	100350086	Hex jam nut M12x1,25 DIN439 A2
10	1	100331007	Washer M12 DIN 125 A
11	6	100323404	M6x20 DIN 6921
12	6	100316002	M6 DIN 985-6
13	4	100306001	M6x20 DIN 933
14	4	100331004	Washer 1/4"
15	2	100420248	Fitting elbow swivel 1/8" 6mm
16	2	100420246	Bulkhead connector 6mm
17	2	100420210	Pneumatic pipe ø6/4 blue polyurethan
18	1	121000325	Transfer "Arrow"
19	1	121000708	Transfer "Do not insert hand"
20	1	123102628	Transfer "Open / Close"



Pos.	Pieces	Part no.	Notes
1	1	123102303	Control box for CVL EU
2	1	123102302	Control box for CVL UL

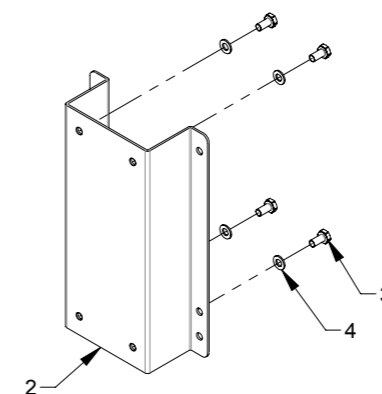
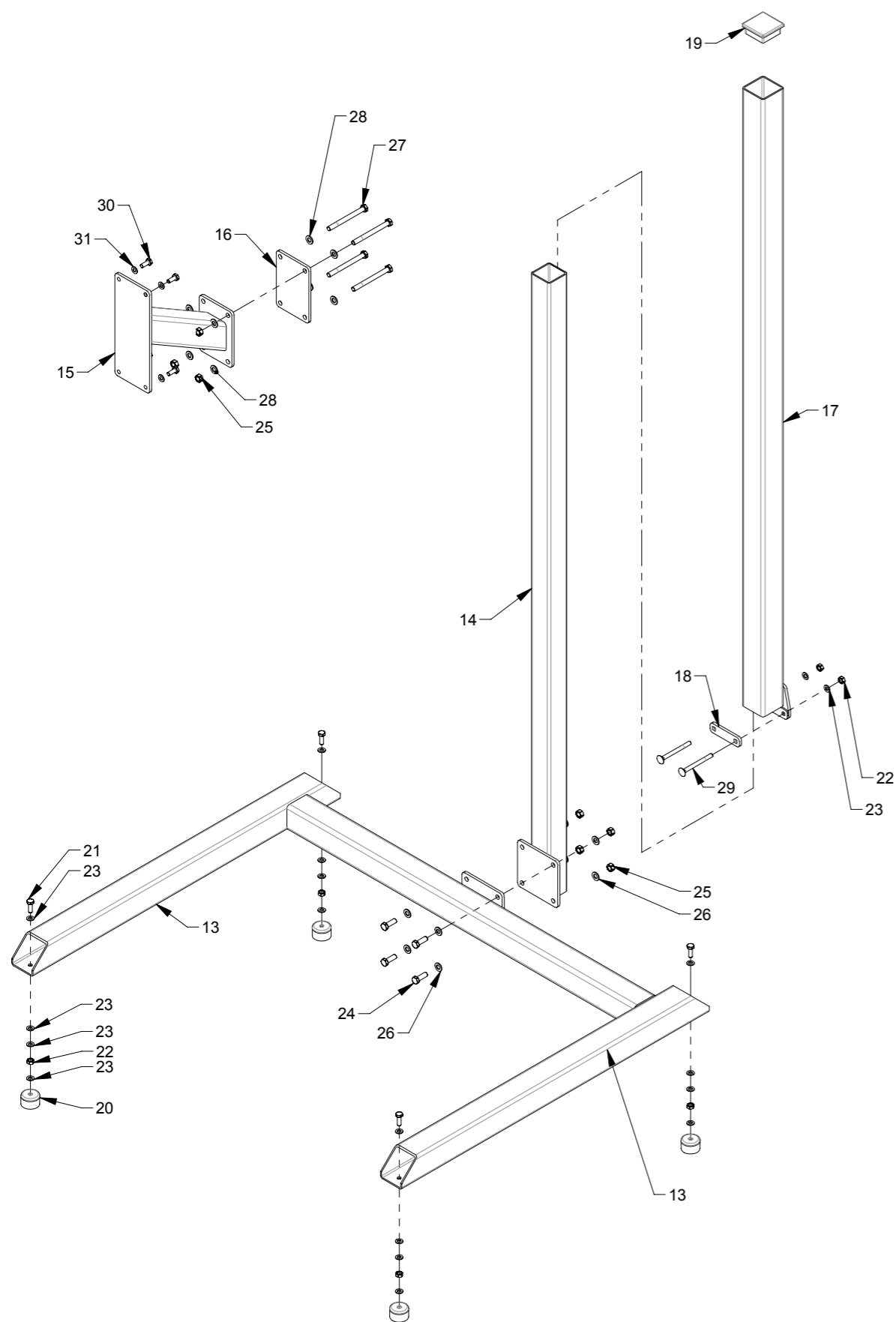


DETAIL \* (1 : 2)

Pos.	Pieces	Part no.	Notes
1	1	123102160	Sparepart package

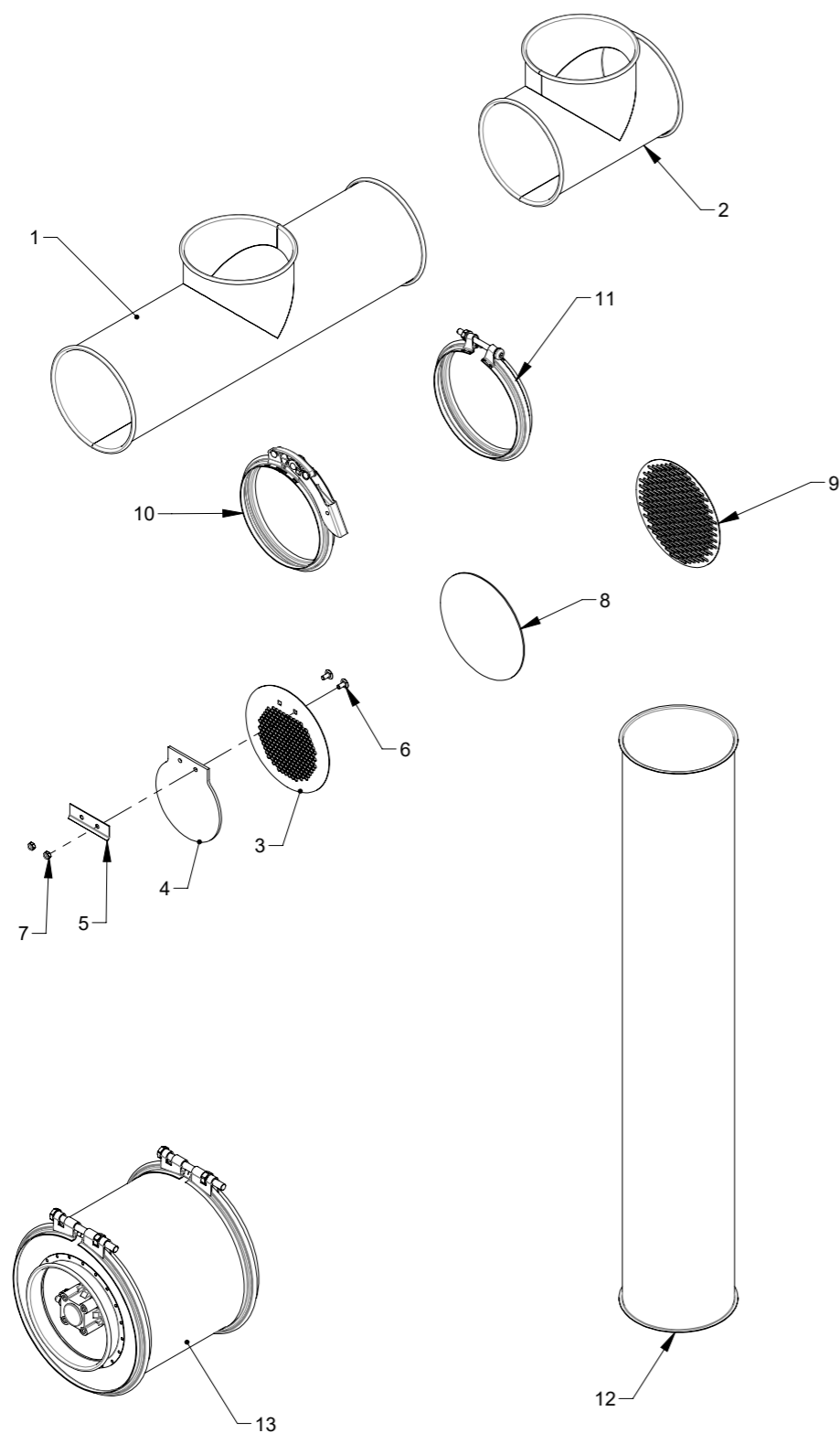
Pos.	Pieces	Part no.	Notes
11	1	123102123	Level sensor arrangement
12	1	100503348	Ultrasonic sensor P&F 3RG6012-3AF00-PF
13	1	100503323	Cable for ultrasound sensor, straight
14	1	123102560	Tube for ultrasonic sensor
15	1	100511237	Cable screw gland M50x1,5 EMC
16	1	100511257	Nut M50x1,5 metal
17	1	123102568	Ferrule DPC 32C For Ø28MM Hole, with Ø12,5 hole
18	1	100511258	Cable screw gland M12x1,5
19	1	100511259	Nut M12 x1,5 plastic
20	1	123102559	Flange Ø170 for level sensor
21	1	122000462	90 GR Branch Pipe OK 160 250mm welded
22	2	122000857	Clamp with bolt OK160
23	1	123102570	Screen for level sensor CVL

Pos.	Pieces	Part no.	Notes
23	1	123102122	Blow back nozzle system
24	1	100420245	Solenoidvalve 5/2 way, 24VDC
25	1	100420249	Fitting straight 1/8" 6mm
26	1	100420251	Nippel G1/4"-G1/4" metal nickel plated
27	1	100420231	Coupling nipple 233 - G1/4" female
28	1	100420230	Coupling 233 G1/8"
29	1	100420250	Nippel G1/8"-G1/8" metal nickel plated
30	3	100420240	Plug G1/8" male galv.
31	1	100420247	T connector 6mm
32	1	100420210	Pneumatic hose Ø6/4 blue polyurethan



Pos.	Pieces	Part no.	Notes
1	1	123102121	Wall bracket for CVL, Packed
2	1	123102719	Wall bracket for CVL
3	4	100308004	M10x20 DIN 933
4	4	100331006	Washer M10 DIN 125 A

Pos.	Pieces	Part no.	Notes
11	1	123102120	Floor stand for CVL 700, Packed
12	1	123102730	Floorstand to CVL, with telescope pillar, Mounted
13	1	123102735	Bottom frame, welded
14	1	123102741	Pillar internal telescope, welded
15	1	123102731	Release boom, welded
16	1	123102739	Flange for outrigger, painted
17	1	123102743	Telescope pillar external, welded
18	1	123102747	Clamping plate for telescope
19	1	100414061	Plastic square tube plug 80x80x5
20	4	100323329	Vibrations damper Ø50x35
21	4	100306030	M10x30 DIN 933
22	6	100315013	M10 DIN 934
23	18	100331006	Washer M10 DIN 125 A
24	4	100304033	Set screw M12x35 DIN 933
25	8	100315016	Nut M12 DIN 934
26	8	100331007	Washer M12 DIN 125 A
27	4	100306073	M12x130 DIN931
28	8	100331094	Washer M12 DIN 125-A
29	2	100311061	M10x35 DIN 603
30	4	100306029	M10x25 DIN 933
31	4	100331006	Washer M10 DIN 125 A



Pos.	Pieces	Part no.	Notes
1	1	122000461	OK160 T-pipe 90°, spaceblue
2	1	122000462	90 GR Branch Pipe OK 160 250mm welded
3	1	123102562	Sieve for OK160 overpressurevalve
4	1	123102563	Flap for overpressure valve
5	1	123102564	Clamping plate for overpressure valve
6	2	100311005	Carriage bolt M6x13 DIN 603
7	2	100316002	Locking nut M6 DIN 985-6, elgalvanized
8	1	123102590	Inspection window Ø170
9	1	131010129	Air intake screen
10	1	122000825	Quick release clamp OKR160
11	1	122000857	Clamp with bolt OK160
12	1	123102141	Pipe FK160R 1m E-polished
13	1	123102022	In-line valve OK160 assembled, iso



**Kongskilde Industries A/S**  
Skælskørvej 64  
DK - 4180 Sorø  
Tel. +45 72 17 60 00  
[mail@kongskilde-industries.com](mailto:mail@kongskilde-industries.com)  
[www.kongskilde-industries.com](http://www.kongskilde-industries.com)

