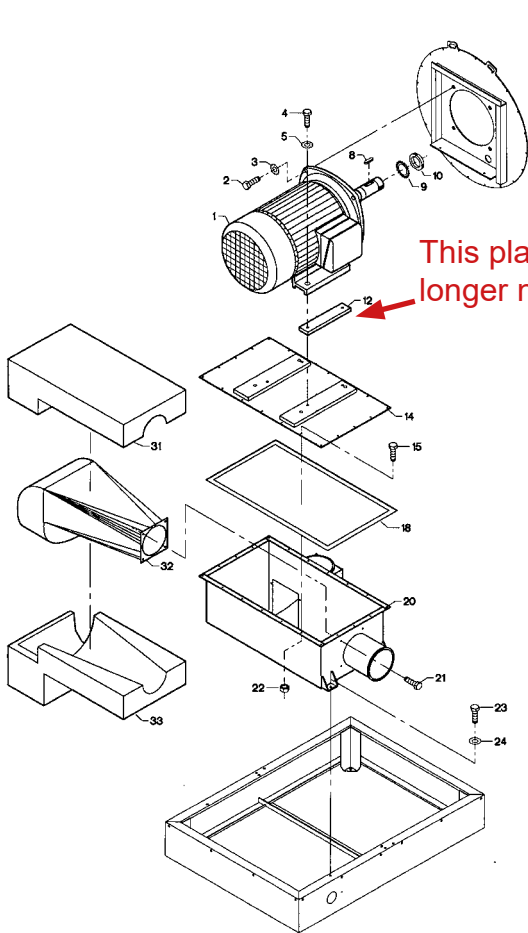
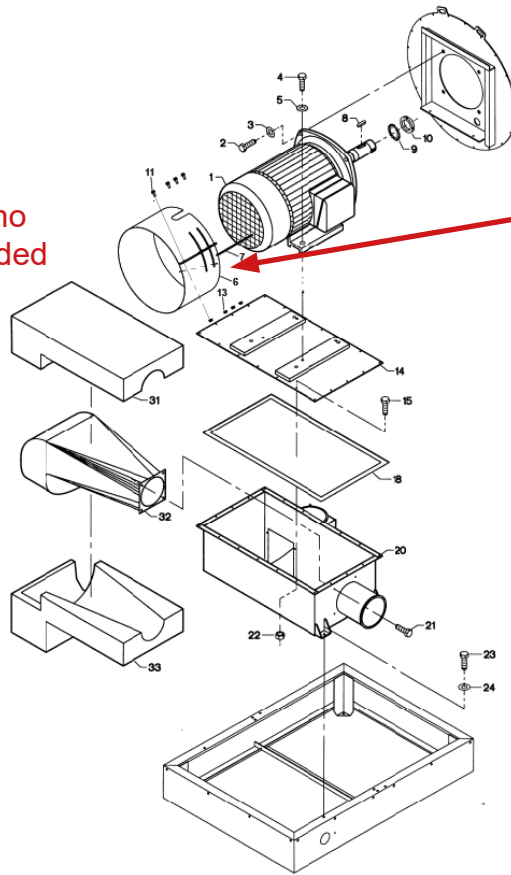


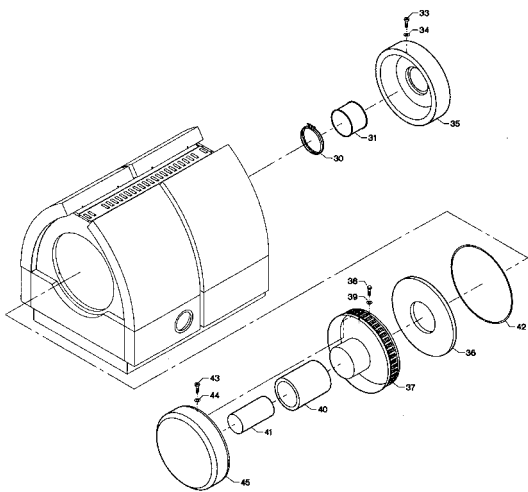
Replacing Hoyer motor with Nidec motor on MultiAir FCE 3000



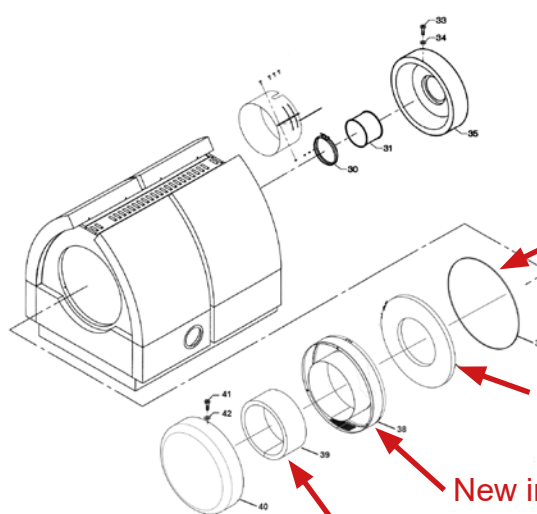
This plate no longer needed



New cooling duct, including sealing, bolts and nuts



Old Hoyer motor



New Nidec motor

