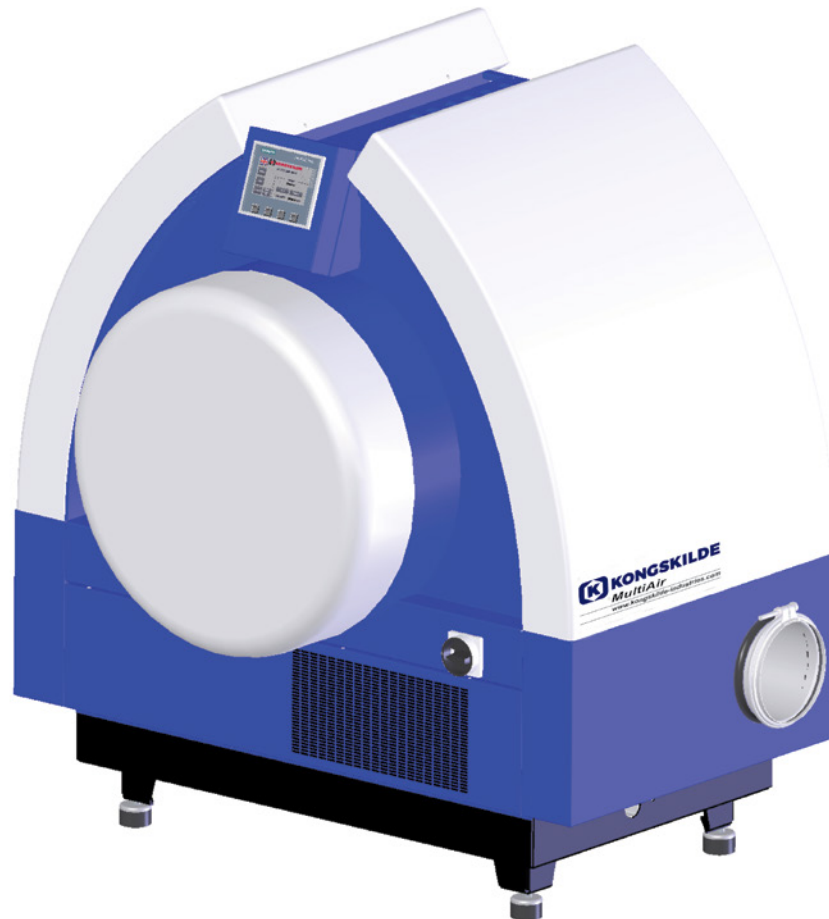


# **MultiAir FC 2000**

High pressure blower



Operator´s manual  
Gebrauchsanweisung  
Manuel utilisateur  
Brugsanvisning

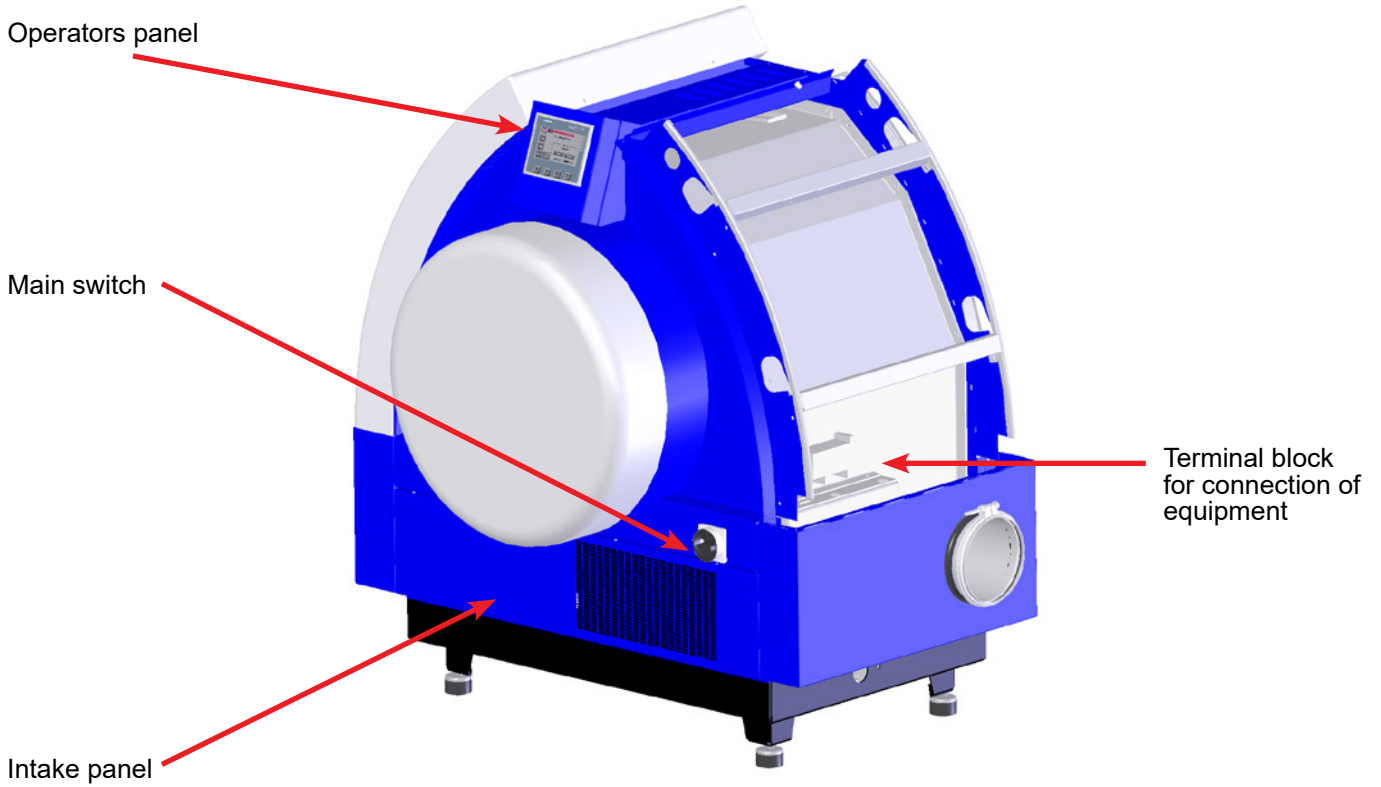
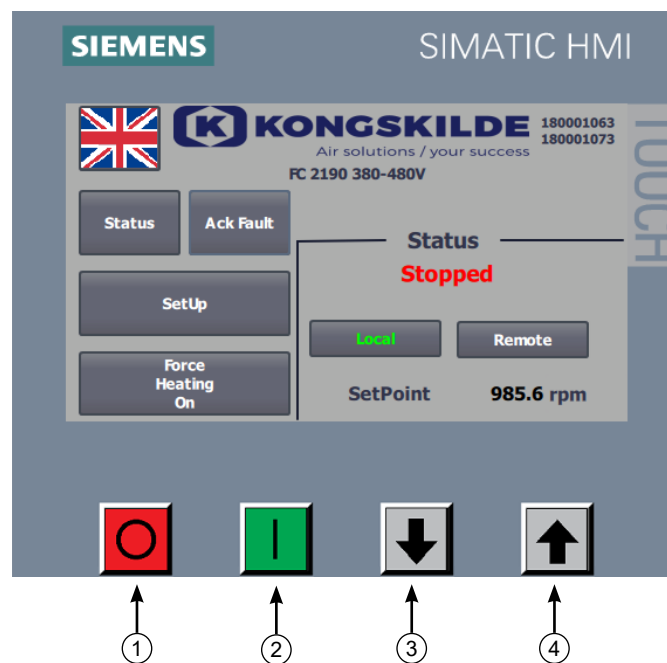


Illustration 1



1. Stop
2. Start
3. Setpoint down (decrease performance)
4. Setpoint up (increase performance)

Illustration 2

## EN

This user manual applies to the Kongskilde MultiAir blower model FC 2000 series.

### Description:

The Kongskilde MultiAir blower is designed for use with pneumatic conveying systems, but is also suitable for other industrial pneumatic solutions.

Materials may not be transported through the MultiAir blower. Air volumes containing corrosive, adhesive or dusty particles may not pass through the MultiAir blower. For the S models, the intake temperature must not exceed 70°C. For the T models, the intake temperature (ambient temperature) may not exceed 50°C at the intake of the blower.

### Warning notes:

Make sure all guards are in place and properly secured during operation.

Always disconnect power to the blower prior to repair and maintenance. The main switch must be switched off and locked to ensure the blower cannot be started by mistake.

Never put your hand into the blower intake or outlet while the blower is running.

The blower should be installed in an accessible location for maintenance and repair.

The working area around the blower should be clear and trip free.

Make sure to have adequate lighting when working on the blower.

To avoid any unintentional contact with the impeller, pipes of minimum 850 mm length, with a diameter of maximum Ø200 mm must be installed onto the intake and outlet connections (intake connection only relevant for the MultiAir blower type S).

These pipes must be installed with bolt clamps, where tools are necessary for dismantling.

In case it is not possible to use minimum 850 mm pipes, it must be ensured that bolt clamps are used within min 850 mm, where tools are necessary for dismantling.

The reason for this is that, according to EU Directive 2006/42/EC (Machinery Directive), unauthorized personnel are not allowed to access rotating parts. If quick clamps are used, unauthorized personnel could dismantle the pipes and gain access to rotating parts.

The blower speed is fully adjustable and controlled from the operator's panel. In order not to overload the rotor and motor, the blower speed can not be set higher than what the blower is designed for. Changing the electrical equipment in order to increase the maximum blower speed is not allowed.

Wear eye protection when working near the blower's air outlet. If there are small particles in the conveyed air, they might be expelled from the blower's air outlet, potentially causing eye injury.

If any unusual vibrations or noises are detected, the blower should be stopped immediately, and qualified assistance should be sought.

### Mounting:

The MultiAir blower is delivered from the factory ready to use and needs only to be connected to the power supply and pipes on the blower intake / outlet. If the blower needs to be moved, use a forklift or similar equipment to lift it from underneath the bottom frame. The blower is designed to be installed outdoors, and is rated for ambient temperature of -10°C - 50°C. If the temperature exceeds 50°C, the blower's lifetime could be reduced.

Ensure that there is a sufficient supply of fresh air to the room from which the blower takes in air. Free air supply must also be ensured around the blower, so when installed outdoors in cold environments, the blower must be protected against snow build-up around the filter and at the intake (only applies to T models). Similarly, the blower should be shielded from direct sunlight in hot environments to prevent the frequency converter from overheating.

Ensure that the blower is installed securely to prevent it from falling or tipping over.

Please ensure that the blower is installed so that there is easy access for operation and maintenance.

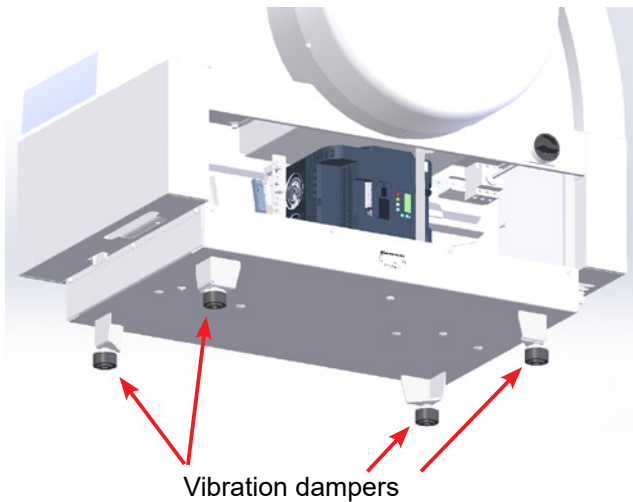
The blower must be installed on a stable surface which is levelled and horizontal. Adjust the machine shoes under the blower so that they support uniformly on the surface. Do not attach the blower to the base or building parts, otherwise the vibration dampers under the blower will not work.

NOTE - If the blower is subjected to vibrations from the ground or piping, there is a risk that the blower's control system will be damaged. Therefore, pay special attention to the following:

**It is important that the blower is mounted on a vibration-free surface and that no vibrations are transmitted to the blower via the connected pipe system.**

If there is a risk of the blower being subjected to vibrations from the ground, a different type of vibration dampers can be mounted on the blower than the original ones. The vibration dampers will absorb oscillations in the range of 0 - 10Hz and are designed to eliminate external vibrations.

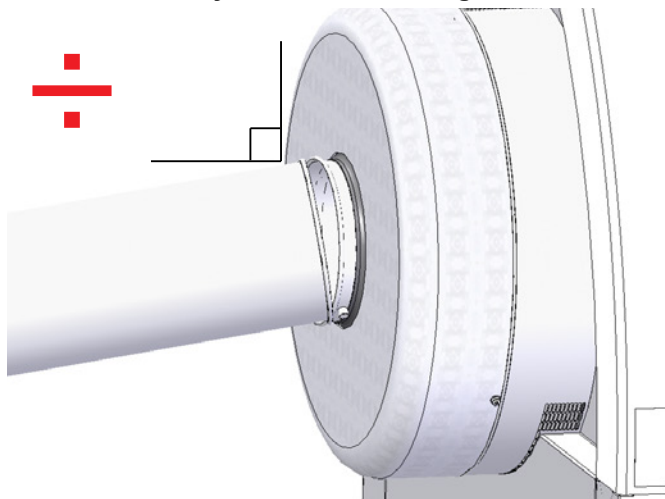
These vibration dampers can be purchased under part no. 123 022 036. The set contains 4 dampers as well as Ø160 and Ø200 flexible transitions, see below.



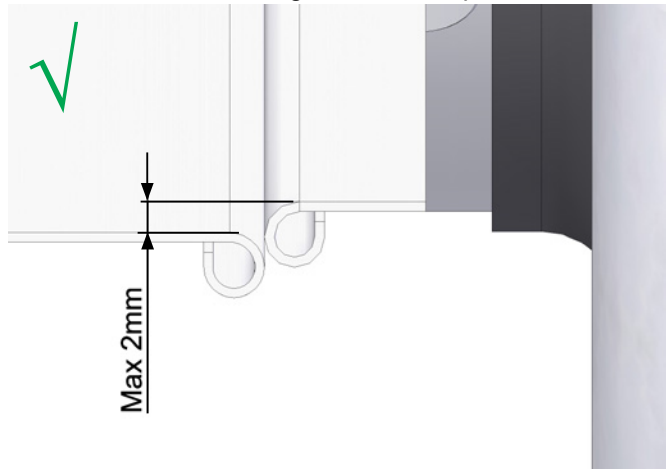
If the blower is subjected to vibrations from the pipeline, there is also a risk that the blower's control system will be damaged. These vibrations can propagate through the blower housing into the control unit. Flexible transitions must therefore be fitted. Kongskilde offers Ø160 transition incl. clamps, under part no. 122 000 026 (for the blower outlet).



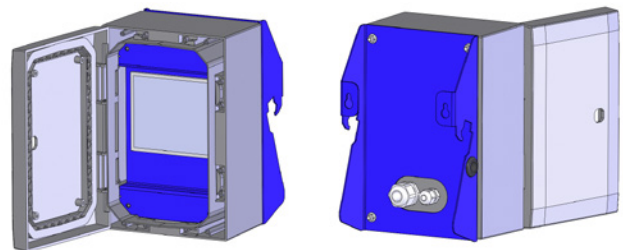
It is important that the pipe system is supported or suspended properly. Furthermore, piping should be supported close to the blower, and no twist from the connected pipeline must be transferred to the blower. **If the piping is not supported properly, or if any twist is transferred, there is a great risk that the blower control system will be damaged!**



The pipes on the blower's inlet and outlet side must be set up, so that the pipe ends lie parallel to each other and are centered on one another, with a max. deviation of 2 mm before mounting the bolt clamp.



The operators panel must be installed indoors or protected from water and UV rays, as precipitation and sunlight can damage the panel. Kongskilde offers an enclosure for outdoor installation of the operator panel under part no.: 123 022 262.

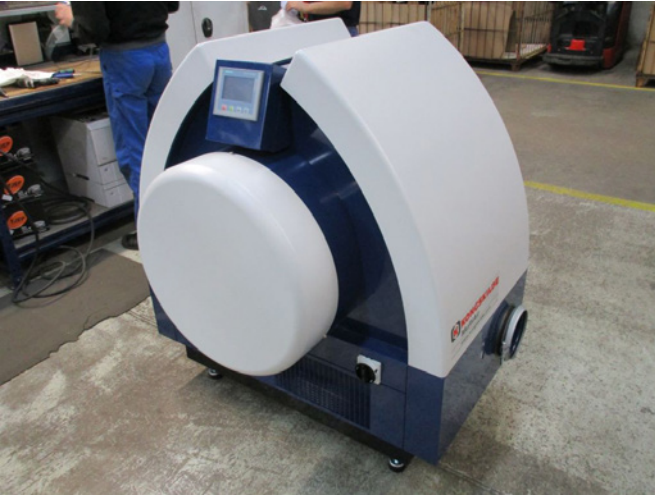


The operator panel is included in the delivery with the blower and can either be hooked onto the blower's end (see photo below) or mounted elsewhere. The panel is equipped with 10m. cable, this can be replaced to max. 150m. if necessary. Kongskilde can supply an extension cable set of respectively 50m, 100m and 150m, all contains data cable and 24V supply cable, and all are approved for outdoor use.

Part no.	Type
123 022 311	50 meter extension cable (data + 24V)
123 022 312	100 meter extension cable (data + 24V)
123 022 326	150 meter extension cable (data + 24V)

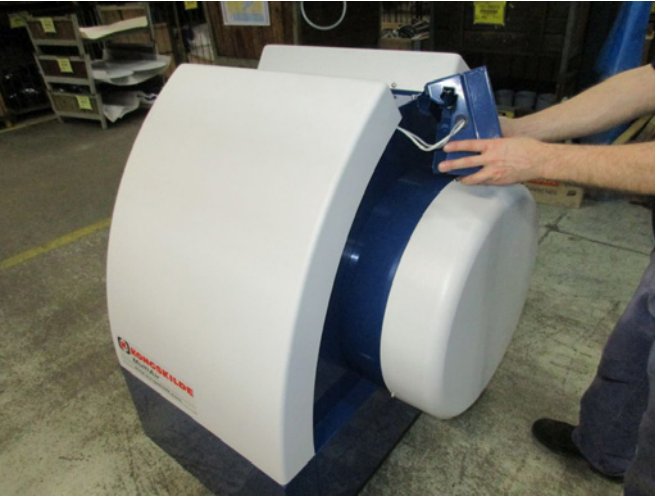
Use a standard CAT6 data cable and 24V supply cable for outdoor installation, if necessary. Use cable ferrules for the 24V cable, and do not extend the cables as joints may impair reliability.

The operator's panel is enclosed and connected to the blower upon delivery, and it is hooked onto the blower's end plate as indicated:

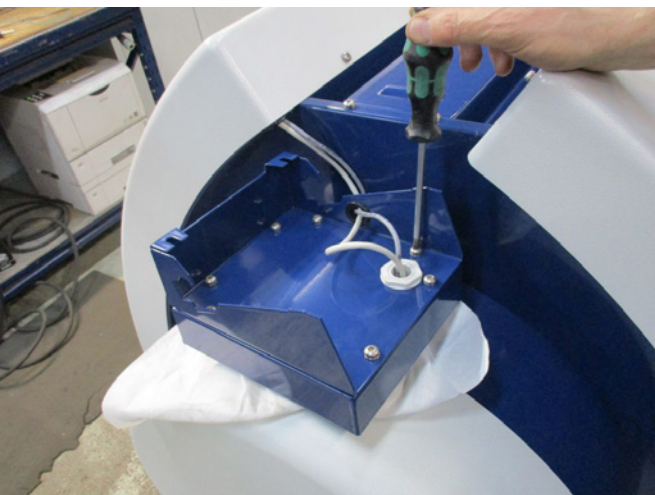


**The operator's panel can be moved onto other locations if desired. This is done as follows:**

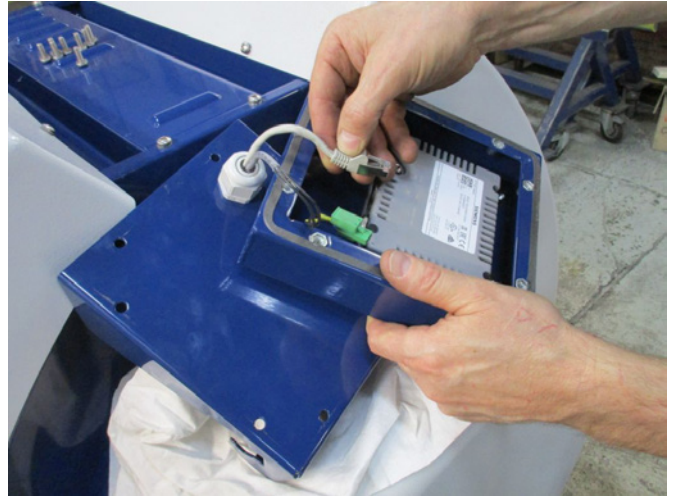
1 - The operator's panel is unhooked and laid onto the blower's motor. Put a cloth or similar under the panel to avoid scratches on the display.



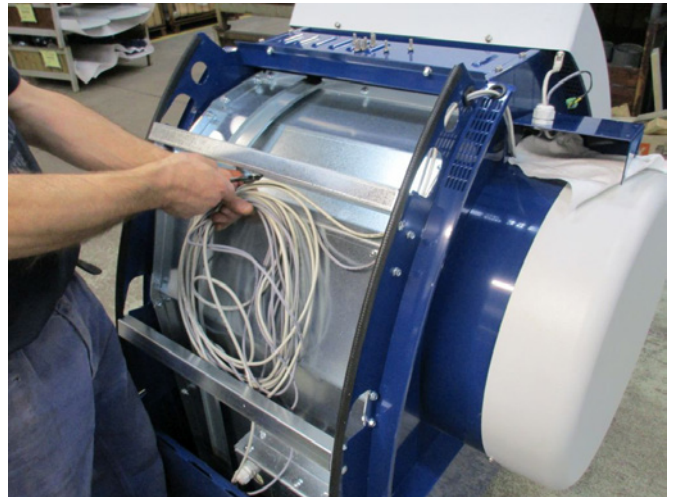
2 - The 8 pcs. M6 screws on the back side of the panel's bracket are removed.



3 - The panel is turned, the two wires disconnected, and the panel put aside.



4 - The blower cover to the left of the operators panel is removed (attached with two M6 screws), and the cable tie is cut.



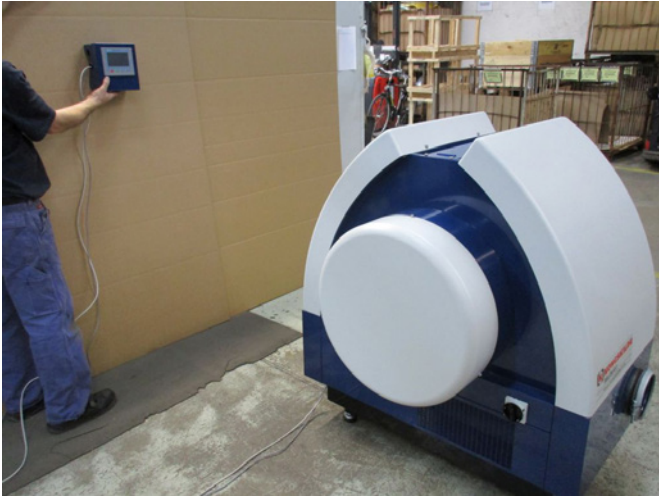
5 - The cable relief in the panel's bracket is loosened, the wires are pulled out of the bracket and out of both holes in the blower's end plate and guided down the left side of the blower.



6 - Both wires are led through an M25 cable relief (not included), that must be fitted at the front or back of the blower's base frame, taking into account the operator panel's new location.



7 - The wires are guided through the panel bracket, the wires are connected, the relief is tightened, and the 8 screws are reinserted. The panel can now be hooked onto a wall or the like by means of the two slots on the back. At delivery, the operator's panel is equipped with 10m. wire, this can be extended to max. 100m. if necessary.



**Connection of pressure- or flow control unit (accessory)**

In case you wish to use the blower's built in PID control to maintain a fixed pressure or volume flow from the blower, a pressure- or flow control unit must be connected to the blower's control unit.

Kongskilde recommends to utilize Kongskildes standard pressure- or flow control device for automatic operation.

In both the pressure- and flow control device package, an external differential pressure transmitter is used, in addition to either an pipe installed aperture or pipe installed pressure outlet. Both packages also includes hose and fittings.

**IMPORTANT:** The pressure transmitter must be mounted on firm ground without vibrations, ie. not onto the pipe system or the blower. Furthermore, the pressure outlet / aperture must be mounted at a distance of at least 20 x pipe diameter from the blower, otherwise the operators panel will not display the correct values for pressure and flow.

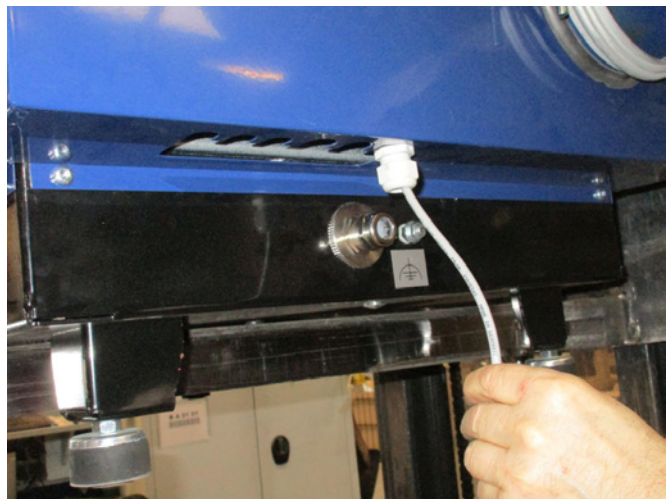
The pressure- or flow control packages can be ordered under the part no's:

Part no.	Type
123 021 049	Pressure control unit
123 030 248	Flow control unit

When connecting pressure- or flow control units, the wires from the differential pressure transmitter must be connected to the blower's terminal block as follows:

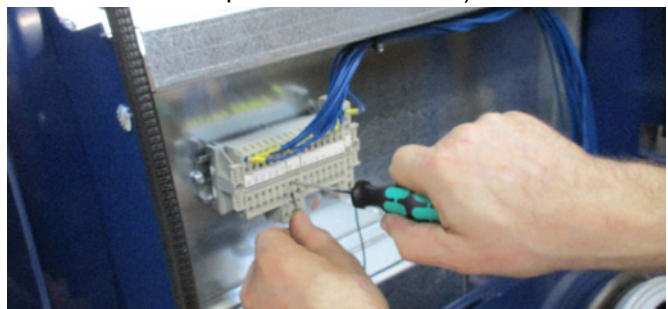
1 - The right blower cover is removed (seen from the motor side).

2 - Guide the differential pressure transmitter's wire through an M20 cable relief (not supplied), and attach the relief in the base frame.

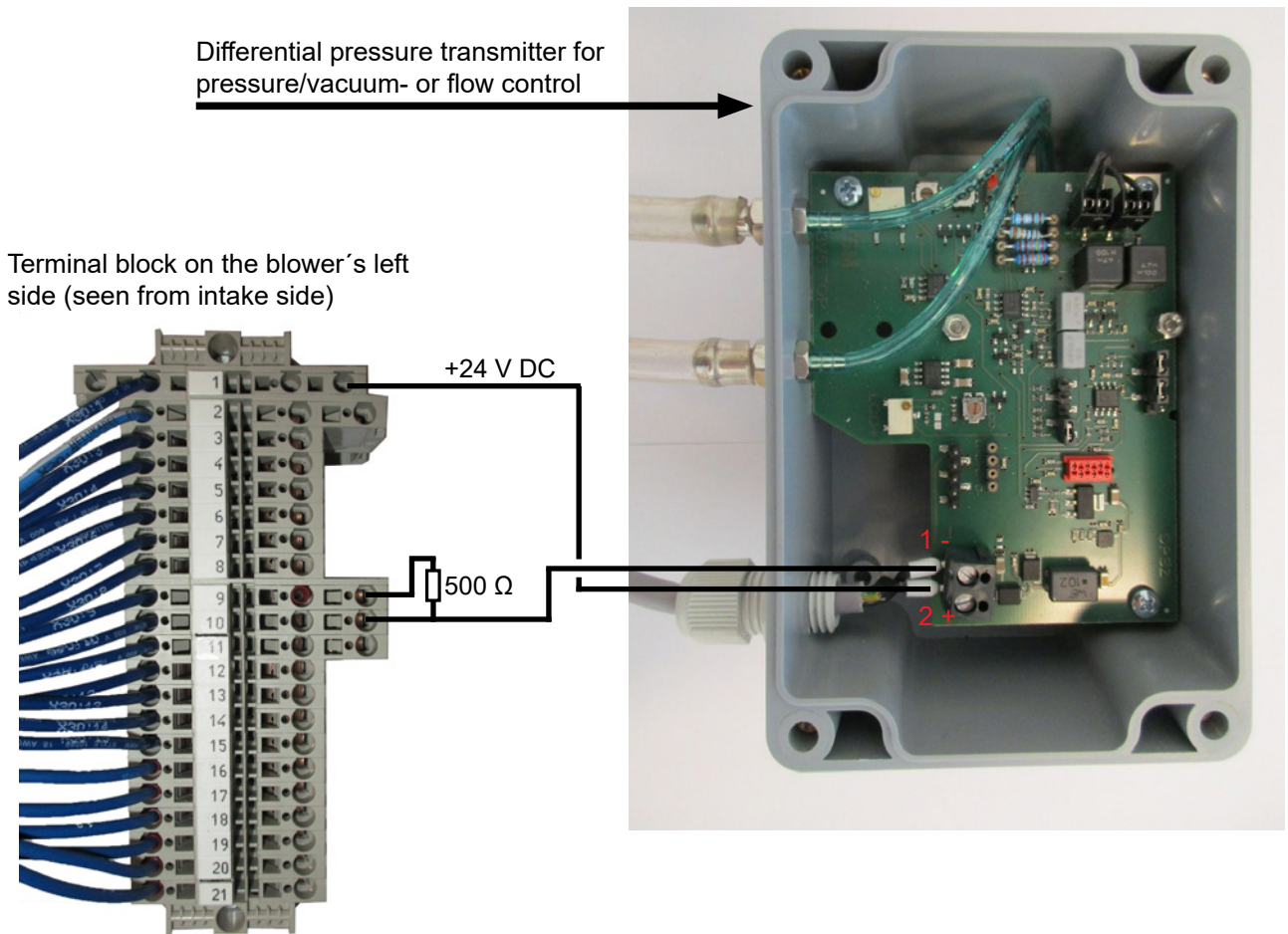


3 - The terminals are released with a small screwdriver, and the wires installed according to the diagram:

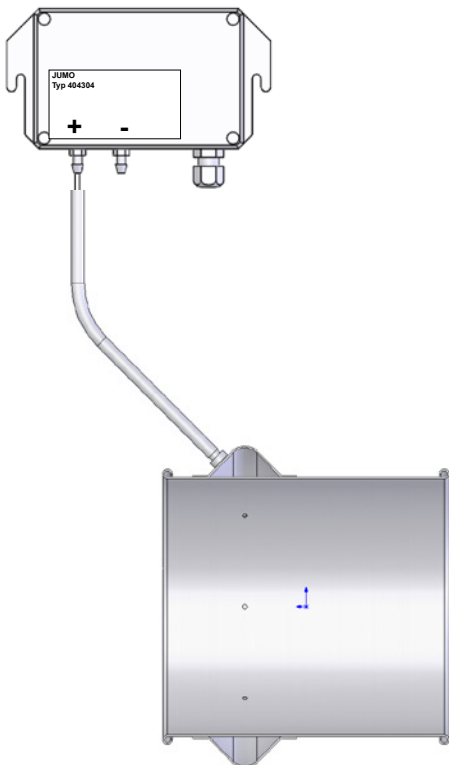
- terminal 1 (+24VDC) to terminal 2 of the transmitter
- terminal 10 (4-20mA signal) to the terminal 1 of the transmitter
- possibly a connection from terminal 2 (0VDC) to the transmitter should be established, in case this is needed for the transmitter (not required at Kongskildes flow- or pressure transmitter).



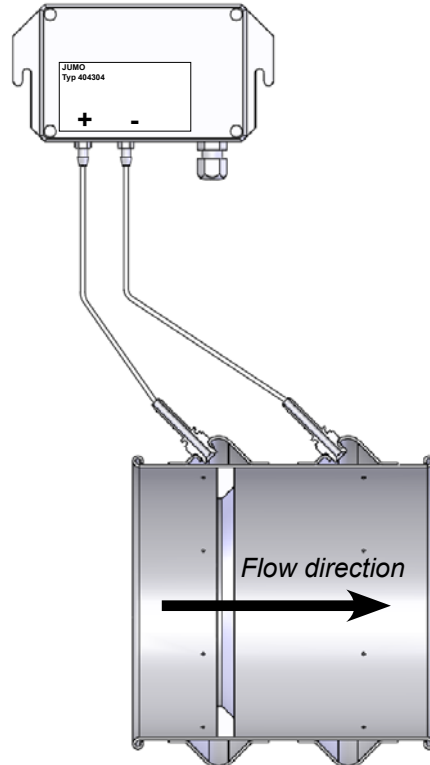
**Connection of pressure/vacuum- or flow control**



**Connection of hose between pressure transmitter and pressure outlet (for pressure regulation)**



**Connection of hose between pressure transmitter and aperture (for flow regulation)**



4 - The cable relief is tightened and the blower cover refitted.

5 - The differential pressure transmitter is mounted onto a vibration-free surface.

6 - The transmitter lid is removed, wires are connected according to the diagram, and the lid reinstalled.

7 - The hoses from the aperture (at flow control) or pressure outlet (at pressure control) are connected according to the illustration. 4 m of clear hose is included, this can be extended if needed.

**Installation of the pipes:**

The conveying performance of a pneumatic conveying system is highly dependent on the layout of the piping. It is therefore important to follow the layout, that has been designed for the pipe system, for the installation in question. Bear in mind that the joints of the pipe system must be tight, as leaks will reduce the conveying performance.

NB - after connection of power to the blower, a delay of up to half a minute may occur, before the operator’s panel is lit.

**Electrical installation:**

The MultiAir blower is delivered in a version for 380-480V voltage as standard. If the blower is to be installed in the 200-240V and 480-575V voltage range, an external transformer must be installed between the power supply and the blower.

All local factory inspectorate regulations must be complied with.

Check that the onsite electricity supply is suitable for the MultiAir blower.

See also the separate instructions for the blower’s electrical equipment, that is supplied the blower.

NB - above the supply cable’s relief and potential equalizing terminal in the base frame, are 6 cutouts for cable reliefs. These can be used for control wires, differential pressure transmitter connection, digital input and output connections, etc.

An external start / stop switch and / or control box for external motor can be ordered from Kongskilde under the following part no’s:

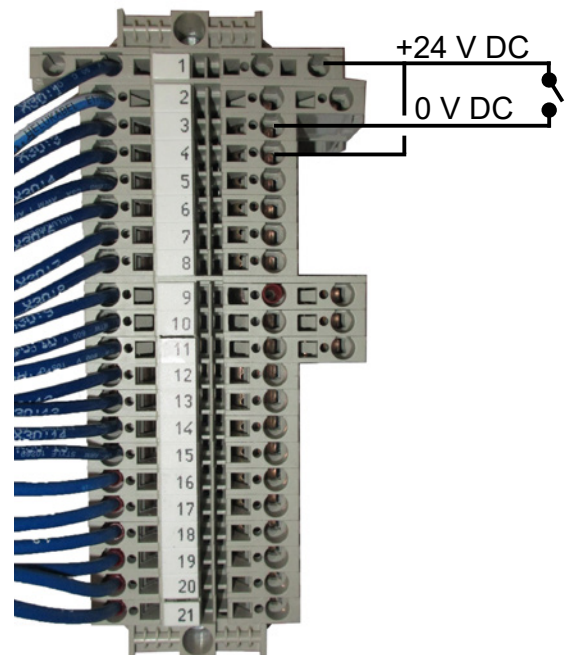
Part no	Type
100 503 357	External start/stop contact
100 503 338	External motor control 0,55kW (at 400V) 1,3-1,7A
100 503 345	External motor control 0,75kW (at 400V) 1,7-2,3A
100 503 341	External motor control 1,1kW (at 400V) 2,3-3,1A
100 503 342	External motor control 1,5kW (at 400V) 3,1-4,2A
100 503 339	External motor control 2,2kW (at 400V) 4,2-5,7A
100 503 343	External motor control 3kW (at 400V) 5,7-7,6A
100 503 340	External motor control 4kW (at 400V) 7,6-10A

The start / stop switch and the control boxes are all specified 3x200V-600V 50/60Hz.

**Start / stop contact**



The external start / stop switch is connected in terminal block X30 between terminal 1 (+ 24VDC) and 3 (Digital Input 0), and a loop is installed between terminals 1 and 4.



On the operator’s panel should: Digital Input 0 be set to *External start signal - hold* and Digital Input 1 be set to *External stop NC*.



**External motor control**

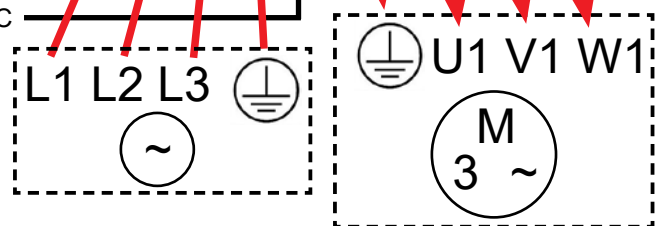
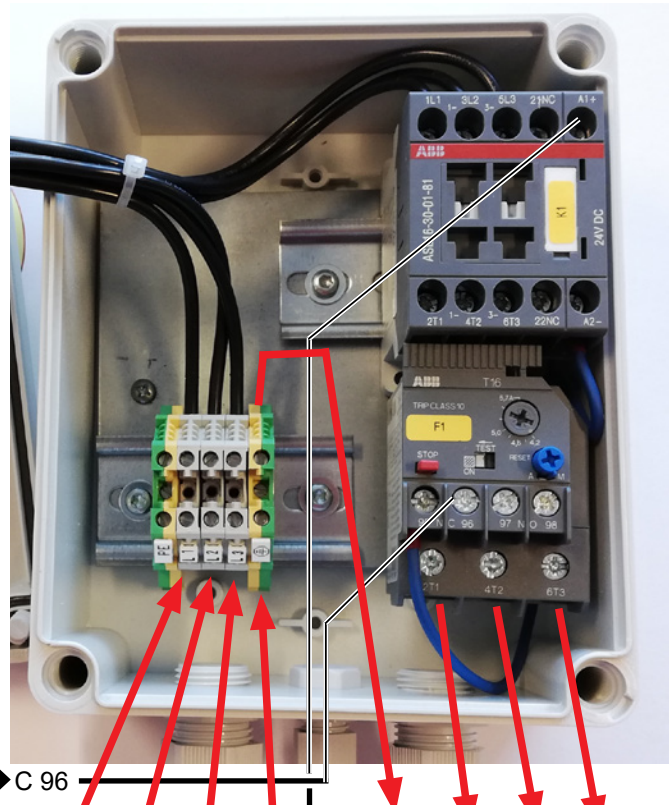
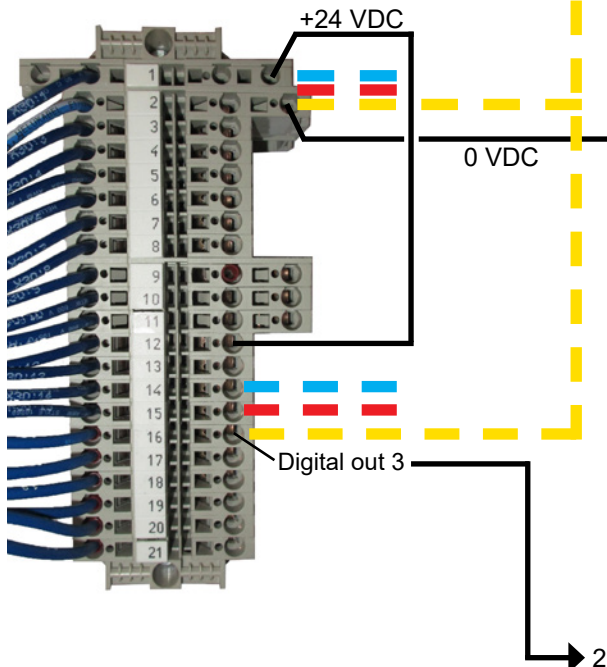
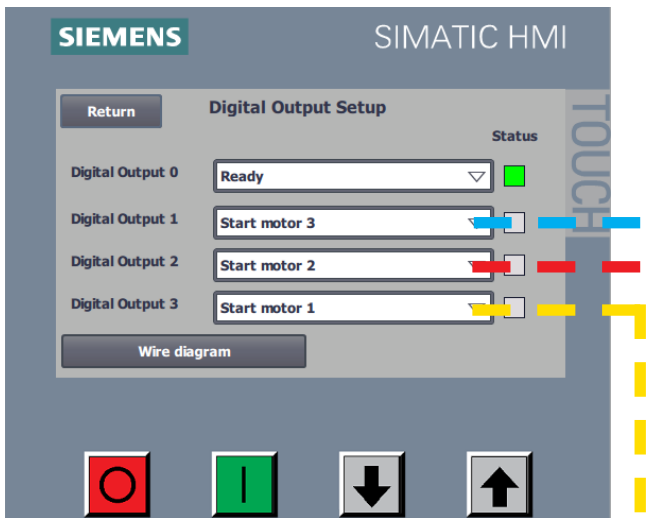
The external motor control is connected in terminal block X30 between terminal 2 (0 VDC) and 16 (Digital Output 3) and a loop is installed between terminal 1 (+24 VDC) and 12. Additional motors could be added terminal 15 and terminal 14.

On the operator's panel should:  
Digital Output 3 be set to *Start motor 1*.  
In addition, a delay can be configured, see section "Setup of blower prior to operation via the operator's panel". (The dotted lines show only coherence and not wiring connections).



The TEST button is operated with a screwdriver at regular intervals, e.g. every six months. After switching off, reconnect with the blue RESET button. If the relay does not trip, it is defective and must be replaced.

The switch on the cover of the external motor control is a safety switch that must always be switched off before repair and maintenance. The safety switch must be locked so that the external motor, on for example a cutter, cannot be started by mistake.



The external motor's rated current is set on the thermal relay's potentiometer. If the external motor is overloaded, the thermal relay will switch off and must be reconnected after the fault has been investigated. Kongskilde recommends that the blue RESET button be set to position M (manual). If the button is placed in position A (automatic), the thermal relay will reconnect automatically and it is therefore not possible to monitor when the switch-off takes place.

**Important** - the blower shall be potential equalized via the terminal to the right of the supply cable's relief (at the potential equalization symbol).

The supply and potential equalizing cables are connected as follows:

1 - Under the blower's motor the intake panel is located, attached by 4 pcs. M6 screws. These screws are removed, and the panel is drawn down and set aside.



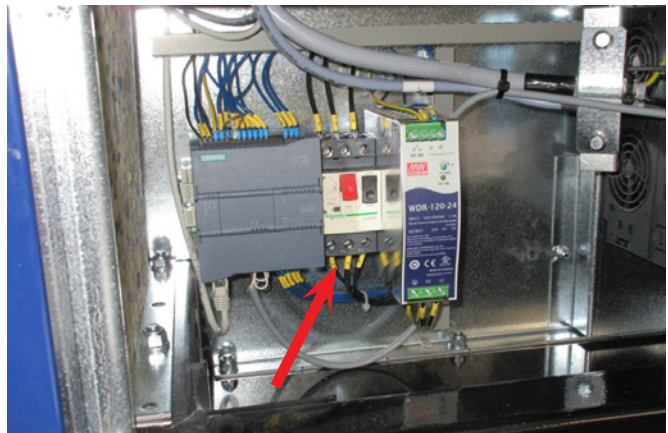
2 - The supply cable is guided through the relief in the base frame of the blower's right side (seen from the motor side). The potential equalization cable is mounted to the right of supply cable and tightened.



3 - The supply cable is guided into the main switch and connected according to the marking. Ferrules must be used. The cable relief in the base frame is tightened, and the intake panel reattached by means of the 4 screws.



Between the PLC and its 24V power supply is a circuit breaker, protecting PLC and operator's panel. This is delivered ON but may switch OFF in case of overload.



(Shown here with the intake panel removed).

## Setup of blower prior to operation (via the operator's panel):

After installation and electrical connection, the blower can be setup to desired mode of operation. This is done on the operator's panel.

In case fingertip operation problems occur, the eraser at the end of a pencil could be used.

The Setup menu gives access to setting up of the blower. Operation and setup of the blower is protected by 3 levels of users:

1. **Operator** - is not protected by a password, and is therefore anybody who has access to the blower.

**Operator** has always access to:

- a) Change language
- b) See status
- c) Reset errors

In case user **Tech** has given access, the operator can also:

- d) Choose between Local or Remote control of setpoint.

At Local control, the blower can be started and stopped using the buttons 1 and 2, and the setpoint adjusted with buttons 3 and 4.

In case the operator is not allowed to adjust the setpoint, the buttons Local and Remote will not appear. In case user **Tech** has chosen Local access, the operator can also start and stop the blower, and adjust the setpoint (on the Local display), but not switch to Remote. In case Remote control is chosen, Start/Stop/Up and Down is not possible at the display.

2. **Tech** - is protected with a password. **Tech** assigns the rights the operator has to adjust the blower's operation. The **Tech** user's purpose is to assign the Operators rights. In case **Operator** has no access to adjust the setpoint, it is **Tech** who does this.

3. **Admin** - is protected by password. **Admin** sets the blower's operation mode:

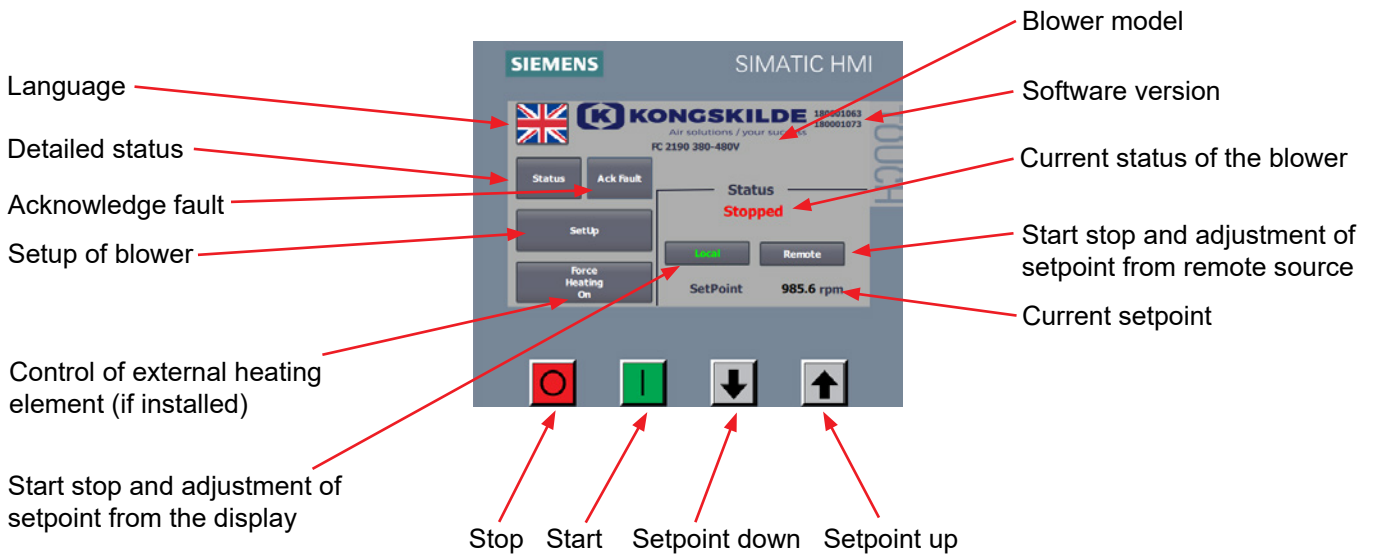
- speed, pressure or flow control
- configuration of the analogue and digital in- and outputs

Normally, **Admin** will only be used when setting up the blower.

NB - After 5 min. of inactivity on the operators panel, users **Tech** and **Admin** are logged off. Hence, you will have to login again to change further settings.

The operators access for control of the blower (operators access is given by user Tech or Admin)					
Settings by Tech			Operator		
		Local / Remote	Start / stop	Up / Down	Local / Remote
Allow manual adjustment of SetPoint at Display Local	No	Local	√	√	Not shown
Allow manual adjustment of SetPoint at Display Remote	No	Remote	⊘	⊘	Not shown
Allow manual adjustment of SetPoint at Display Local	Yes	Local	√	√	√
Allow manual adjustment of SetPoint at Display Remote	Yes	Remote	√	√	√

## MAIN DISPLAY



## User Operator



In case user **Tech** has given access to **Operator** switching between Local and Remote, the main display will look like this.

User **Operator** can:

- Start and stop the blower
- Adjust the setpoint down and up
- Switch between Local and Remote control of the blower
- Select language
- View detailed status
- Acknowledge faults (Reset errors)



In case user **Tech** has not given access to **Operator** switching between Local and Remote, and chosen Local, the main display will look like this.

User **Operator** can:

- Start and stop the blower
- Adjust the setpoint down and up
- Select language
- View detailed status
- Acknowledge faults (Reset errors)



In case user **Tech** has not given access to **Operator** switching between Local and Remote, and chosen Remote, the main display will look like this.

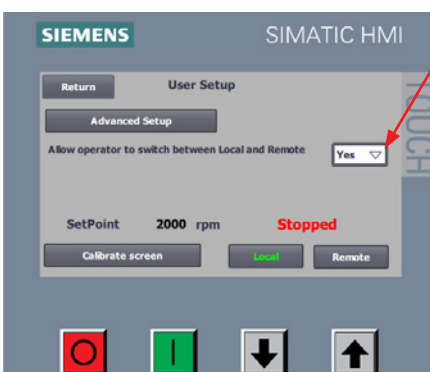
User **Operator** can:

- Select language
- View detailed status
- Acknowledge faults (Reset errors)

### User Tech



**Tech** sets up **Operator's** access, in the Setup menu.  
**Tech** will be asked to login. When logged in as **Tech**, it is now possible to Select if user **Operator** should have access to adjust the SetPoint.  
Select **Setup**



The following screen appears, and **Tech** can give **Operator** permission to switch between Local and Remote, by selecting in the pull down menu.  
Yes allows the Operator to switch between Local and Remote.  
No does not allow the Operator to switch between Local and Remote.

If the blower is not connected to external equipment that can operate the blower, No should be selected in the pull down menu.  
By choosing Local, **Operator** can start, stop and adjust the setpoint.  
By choosing Remote, the operator can not operate the blower. Manual adjustment of the setpoint is therefore done in Setup menu by **Tech**.

The menu Calibrate Screen allows for calibration of the touch screen, in case this is needed

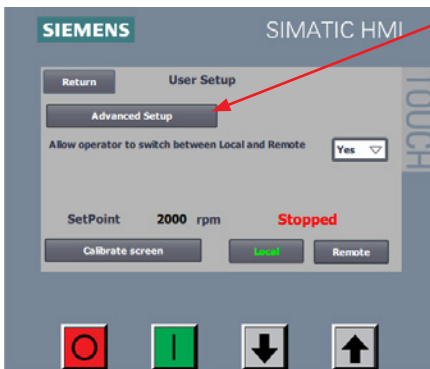
### User Admin

The blower setup is controlled by user **Admin**, in the menu Control Setup, and set to desired operation mode the following way:

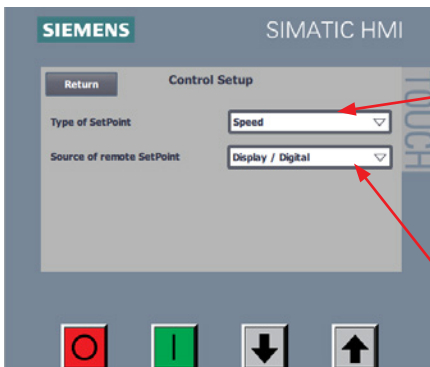
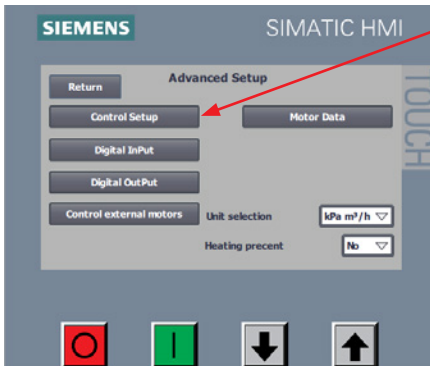
Select login as **Admin**  
Select **Setup**



Select **Advanced Setup**



Select **Control Setup**



It is now possible to select between 3 different operating modes (3 types of regulation):

1. *Speed* - simple control, where blower operates at fixed rpm
2. *Pressure* - PID control, where blower provides a fixed static pressure. The pressure is measured via a pressure transducer coupled to the blower control unit
3. *Flow* - PID control, where blower provides a fixed volume flow. The flow is measured via a flow transducer coupled to the blower control unit

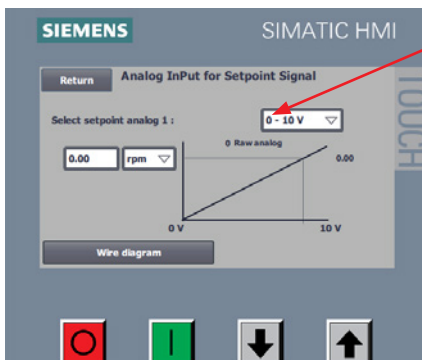
Hereafter, location of set-point adjustment should be selected. It is possible to adjust the set-point from 3 different locations; from the operator panel's display, via the digital inputs, or via an analog input to the blower.

In **Source of remote Set Point**, it is possible to choose between the following two options:

1. Display / Digital
2. Analog

In case the set-point should be adjusted from the operator panel display and/or from the digital inputs, set **Source of Remote Set Point** to **Display / Digital**. Should the set point be adjusted via the analog input, select **Analog**.

Setup Feedback Sensor are not shown in case regulation by Speed is chosen. Furthermore, if Display/Digital is chosen, Setup Analog SetPoint is not shown.



In **Setup Analog SetPoint** is chosen the type of external signal sent to the blower control unit. You can choose between two types:

- 0 - 10 V
- 4 - 20 mA

Remember to install the shunt resistor on the blowers terminal block, according to the selected signal, see the diagrams at the end of this section.

In box 1 is indicated what the analog signal represents, here the following units can be chosen:

1. **Rpm** - blower operation with fixed speed
2. **kPa** - blower adjusted according to specific static pressure in kPa
3. **in WG** - blower adjusted according to specific static pressure in inches water column (inches water gauge)
4. **m<sup>3</sup>/h** - blower adjusted according to specific flow in m<sup>3</sup> per hour
5. **CFM** - blower adjusted according to specific flow in cubic foot per minute (ft<sup>3</sup>/m)

Box 2 indicates the maximum physical value of the analog signal, here illustrated with some examples.

Ex. 1 - The following are selected: Analog set point: 0 - 10 V and Unit in box 2: Rpm.

If value 4800 is entered in box 1, it means that when supplied with 10 V at analog input 1, the control will use the set point at 4800 rpm. Fed only 5 V at analog input 1, the control will use a set point of 2400 rpm.

Ex. 2 - The following are selected: Analog set point: 4 - 20 mA and Unit in box 2: kPa.

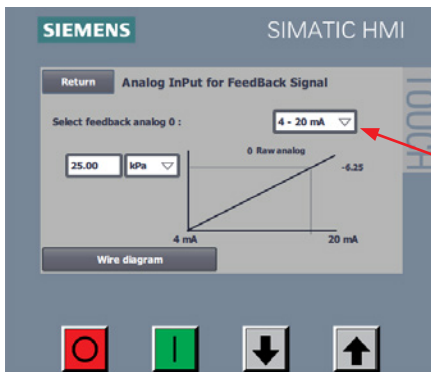
If value 20 is entered in box 1, it means that when supplied 20 mA at analog input 1, the control will use the set point of 20 kPa. Fed only 4 mA at analog input 1, the control will use a set point of 0 kPa.

Ex. 3 - The following are selected: Analog set point: 4 - 20 mA and Unit in box 2: CFM.

If value 3500 is entered in box 1, it means that when supplied 20 mA at analog input 1, the control will use the set point of 3500 CFM. Fed only 12 mA at analog input 1, the control will use a set point of 1750 CFM.

It is recommended to use one of the following values, in case the blower should operate at maximum performance:

- 4800 Rpm
- 20 kPa
- 6000 m<sup>3</sup>/h
- 80 in WG
- 3500 CFM



Feedback signal must be specified for pressure and flow control, but a feedback signal for rpm regulation should not be specified.  
Select **Setup Feedback Sensor**

In **Select Feedback Analog 0** is chosen which type of signal is sent from the transducer. Two types can be chosen:

- 0 - 10 V
- 4 - 20 mA (see diagram at the end of the section)

Box 1 indicates the unit of the analog signal, here you can choose from the following units:

- kPa
- in WG

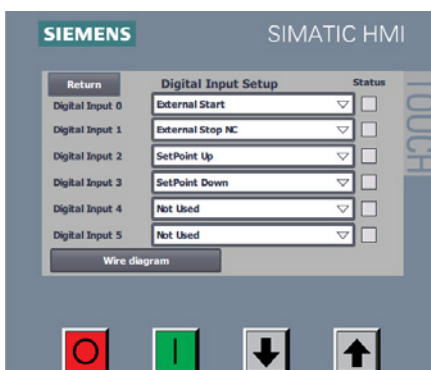
Box 2 indicates the maximum physical value of the analog feedback signal, here illustrated with some examples (see also previous connection example with Kongskilde pressure / flow control).

Example 1 - The following are selected: Analog feedback 0: 0 - 10 V and Unit in box 2: kPa.

If value 25 is entered in box 2, it means that when supplied with 10 V at analog input 0, the control will register a feedback signal of 25 kPa. Fed only 5 V at analog input 0, the control will register a feedback signal of 12,5 kPa.

Example 2 - The following are selected: Analog feedback 0: 4 - 20 mA and Unit in box 2: in WG. If value 80 is entered in box 2, it means that when supplied 20 mA on analog input 0, the control will register a feedback signal of 80 in WG. Fed only 4 mA at analog input 0, the control will register a feedback signal of 0 in WG.

In case of digital connection, the digital inputs should be defined. From the main menu, select **Setup - Advanced Setup - Digital Input**



It is possible to choose from:

1. Not used
2. External start signal - hold
3. External start signal - pulse
4. External stop NC\*
5. SetPoint up
6. SetPoint down

Additionally, there is a possibility to see the corresponding wire diagram by selecting **Wire diagram**

In the column **Status** is indicated (in green) if the control unit has registered the input.

\*: At remote control - for the blower to start, external stop must be closed. The blower stops when external stop is opened.



The digital outputs should be defined accordingly. From the main menu, select **Setup - Advanced Setup - Digital Output**



It is possible to choose from:

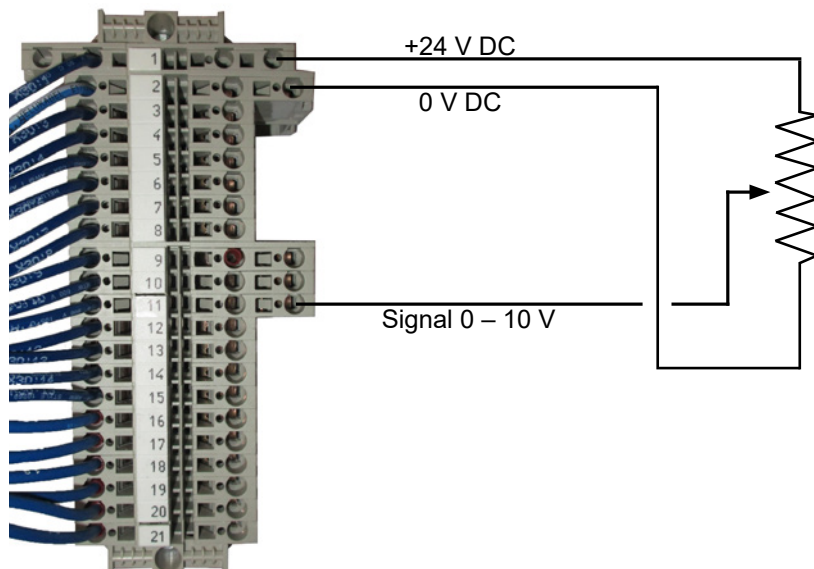
1. Not used
2. Ready
3. Warning
4. Error
5. Running
6. Start motor 1
7. Start motor 2
8. Start motor 3
9. Unable to reach SetPoint

Additionally, there is a possibility to see the corresponding wire diagram by selecting **Wire diagram**

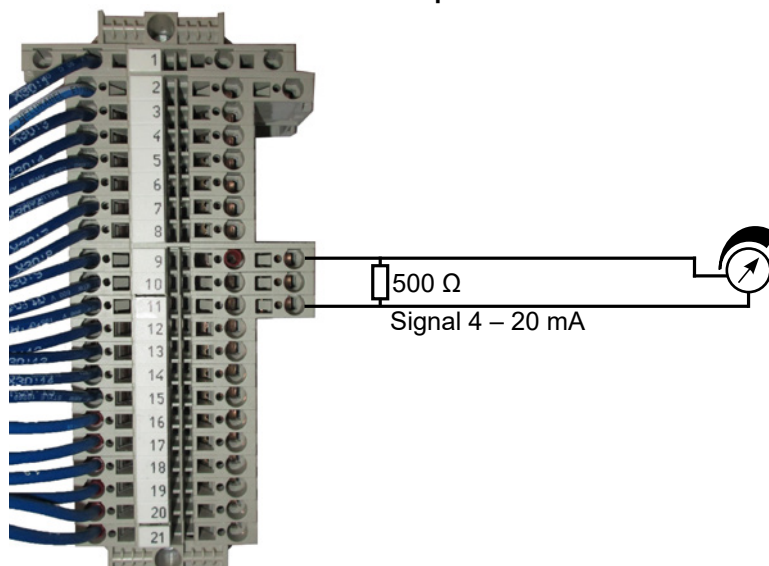
In the column **Status** is indicated (in green) if the control unit has registered the output.

Below are examples of wiring diagrams:

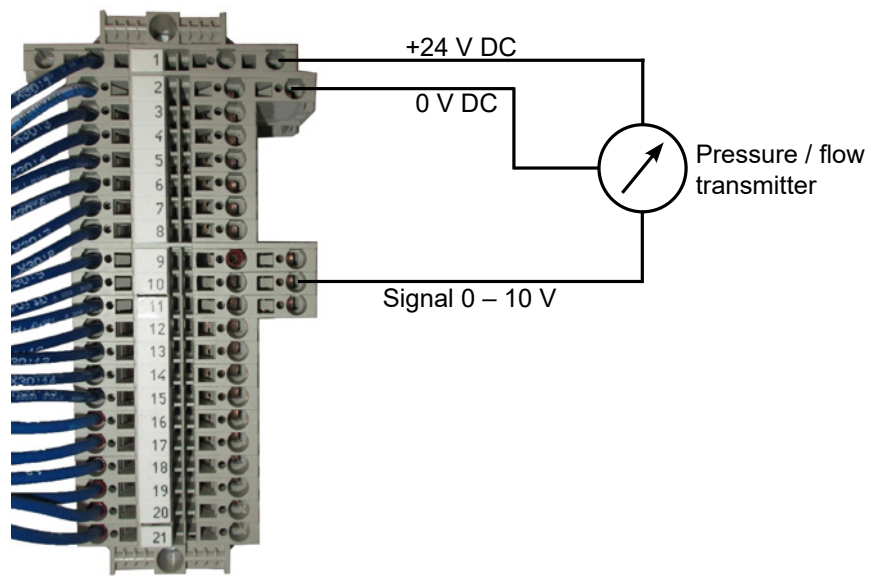
**0 – 10 V setpoint**



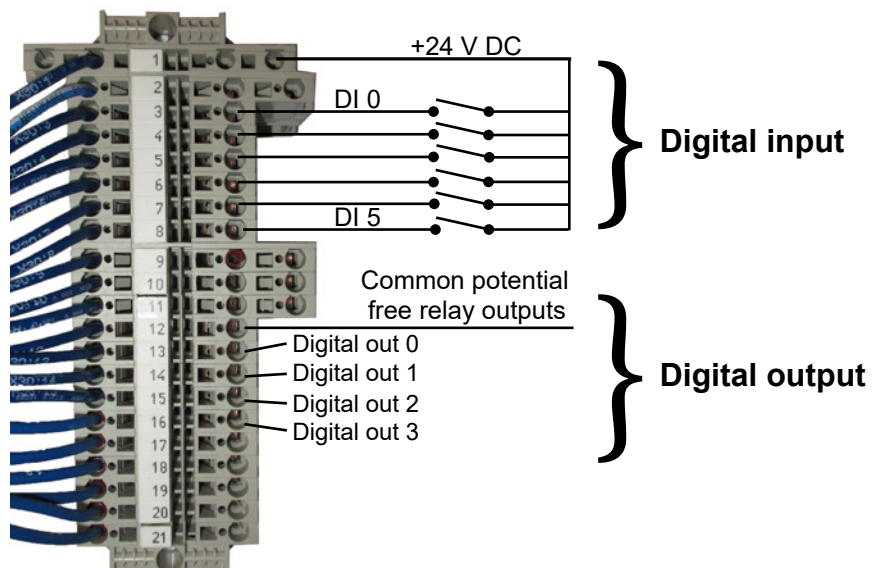
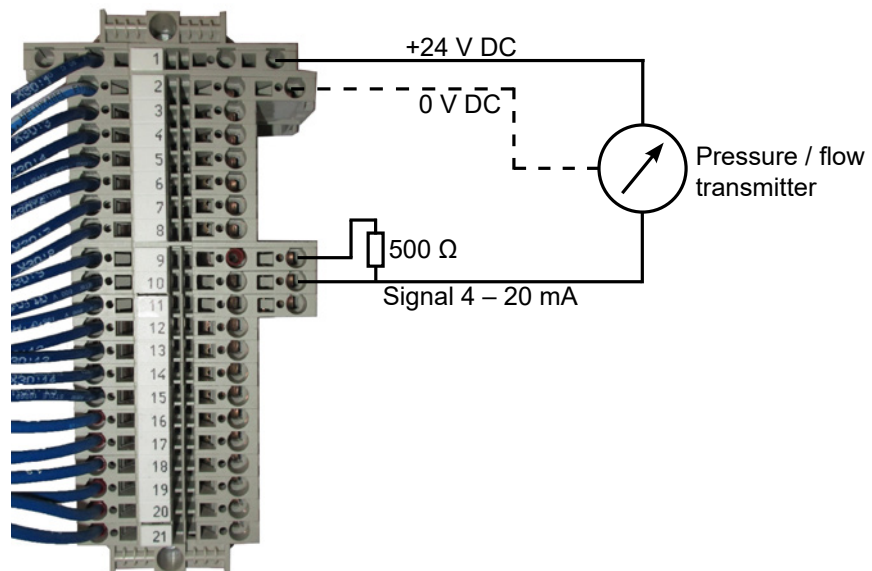
**4 – 20 mA setpoint**

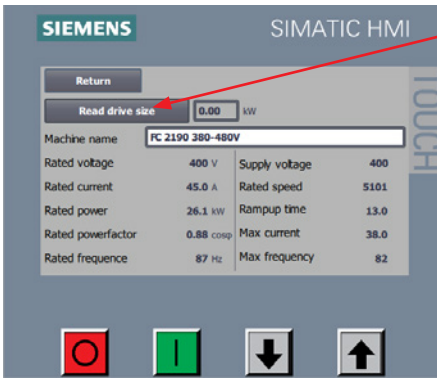


**0 – 10 V feedback**



**4 – 20 mA feedback**



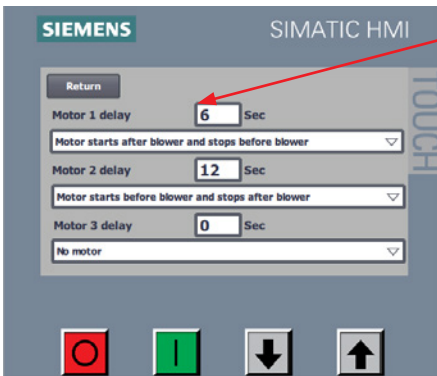


In case of replacement of the frequency converter, new data is read by selecting **Motor Data - Read Drive Size - Transfer to Drive**  
In case it is not possible to read drive size, the frequency converter has not been set up to communicate via USS bus.

**Controlling external motors**

If case you need to start or stop external equipment (such as a cutter) before starting or stopping the blower, there is a possibility of time delay.

The blower control's digital outputs allows for control of up to 3 external motors.



The delay (in sec.) is entered, and below is set if the external motor shall start/stop before or after the blower will start/stop.

*Setup of delay at start/stop*

			Delay (x sec.)		Delay (x sec.)		
Start / stop blower							
Motor starts after blower and stops before blower							
Motor starts before blower and stops after blower							
		Delay (y sec.)				Delay (y sec.)	

## Operation:

By means of the operator's panel (and possibly external plant control), it is possible to fully regulate the blower speed. It is therefore possible to adjust the MultiAir blowers performance to fit precisely the installation concerned.

The adjustment can either be done manually or it can be done automatically by means of a flow/pressure transmitter (accessory).

To achieve energy savings, it is important not to run at higher speeds than necessary, to solve the task at hand. Furthermore, operating the blower at excessive speeds/output could cause damage to the material being conveyed.

After setup and running-in of the blower, the settings are saved in the control unit, even after electrical supply is disconnected. When operating, the current value is indicated constantly.

In case the setpoint is changed, the blower will automatically adjust the performance (provided it is capable of doing so).

**Starting the blower:** Press the green start button (2). When the blower is operating, "Running" is shown in the Status field.

**Stopping the blower:** Press the red stop button (1). When the blower is stopped, "Stopped" is shown in the Status field.

### Increase blower performance (speed):

Press the arrow-up button (3). The button can be held down continuously for a greater degree of adjustment.

### Reduce blower performance (speed):

Press the arrow-down button (4). The button can be held down continuously for a greater degree of adjustment.

In case the desired setpoint can not be obtained, the power limitation can have been reached. The operators panel will display "Unable to reach setpoint".

Start and stop of the blower during normal operation should be performed on the operators panel or via the blowers digital inputs. In case the main switch is disconnected and reconnected before ½-1 minute after disconnection, it may be necessary to reset an error by pressing "Ack Fault", where after the blower will operate normally again. Therefore, the blower should not be stopped with the main switch but with the Stop key on the operator panel.

## Service and maintenance:

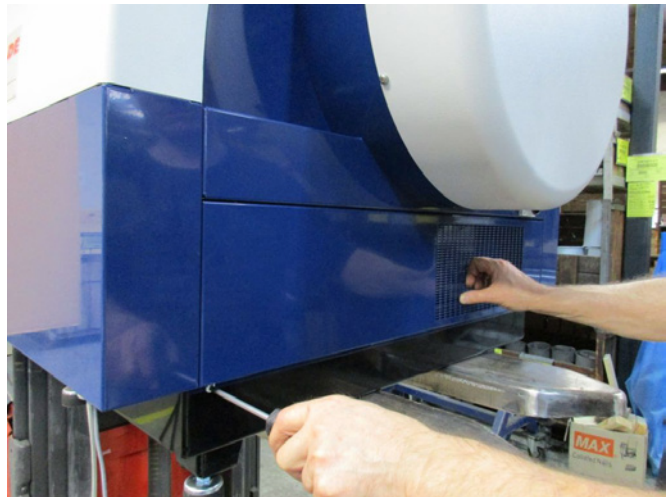
All service, maintenance and repairs should be performed by qualified or trained personnel.

The motor bearings are lubricated at the factory and require no additional lubrication. The blower's rotor is mounted directly on the motor shaft; there are therefore no bearings in the blower itself.

Make sure that there is always an unobstructed flow of cooling air to the blower. The blower is equipped with a filter, installed in the intake panel below the motor. This filter shall be cleaned or replaced as needed. Furthermore, it can be necessary to clean the grid at the intake port, especially if the blower is installed outdoors.

### The filter can be inspected as follows:

1 - They 4 pcs. M6 screws are removed, the panel pulled downwards and set aside.



2 - The filter cassette is pulled clear of the intake panel, the screw is loosened, and the filter removed. The filter can be cleaned as needed, with pressurized air or water. If water is used, the filter must be dry before insertion. In case the filter is very dirty or clogged, it should be replaced.

Make sure to refit the filter properly when inserting. The filter cassette is pressed in place, the screw refitted, the intake panel is put back, and the 4 screws reinstalled.



Once a year, the following maintenance should be performed:

- Visual inspection of all pipe connections, covers and electrical connections/cables, to ensure attachment and tightness.
- Ensure that all electrical connections are tightened properly.
- Ensure that both cooling fans for the frequency converter are running at full speed, and possibly also remove any dust deposits from the fans.

The frequency converter is equipped with 2 cooling fans, that operates as soon as the blowers main switch is turned on. Expected lifetime for these 2 fans are 4-6 years continuous operation, where after they will reduce their rpm, and finally stop (see section "Troubleshooting"). The fans should be replaced before their output are reduced significantly, to ensure correct cooling of the frequency converter.

The MultiAir blower should be stored in dry, non-corrosive atmosphere, at temperature between -20 and +55 °C.

**Important:**

Important: If the frequency converter has been without voltage supply for longer than 12 months, Kongskilde must be contacted before the blower is reconnected. Otherwise, the frequency converter can be damaged, as it contains capacitors that must undergo a startup procedure.

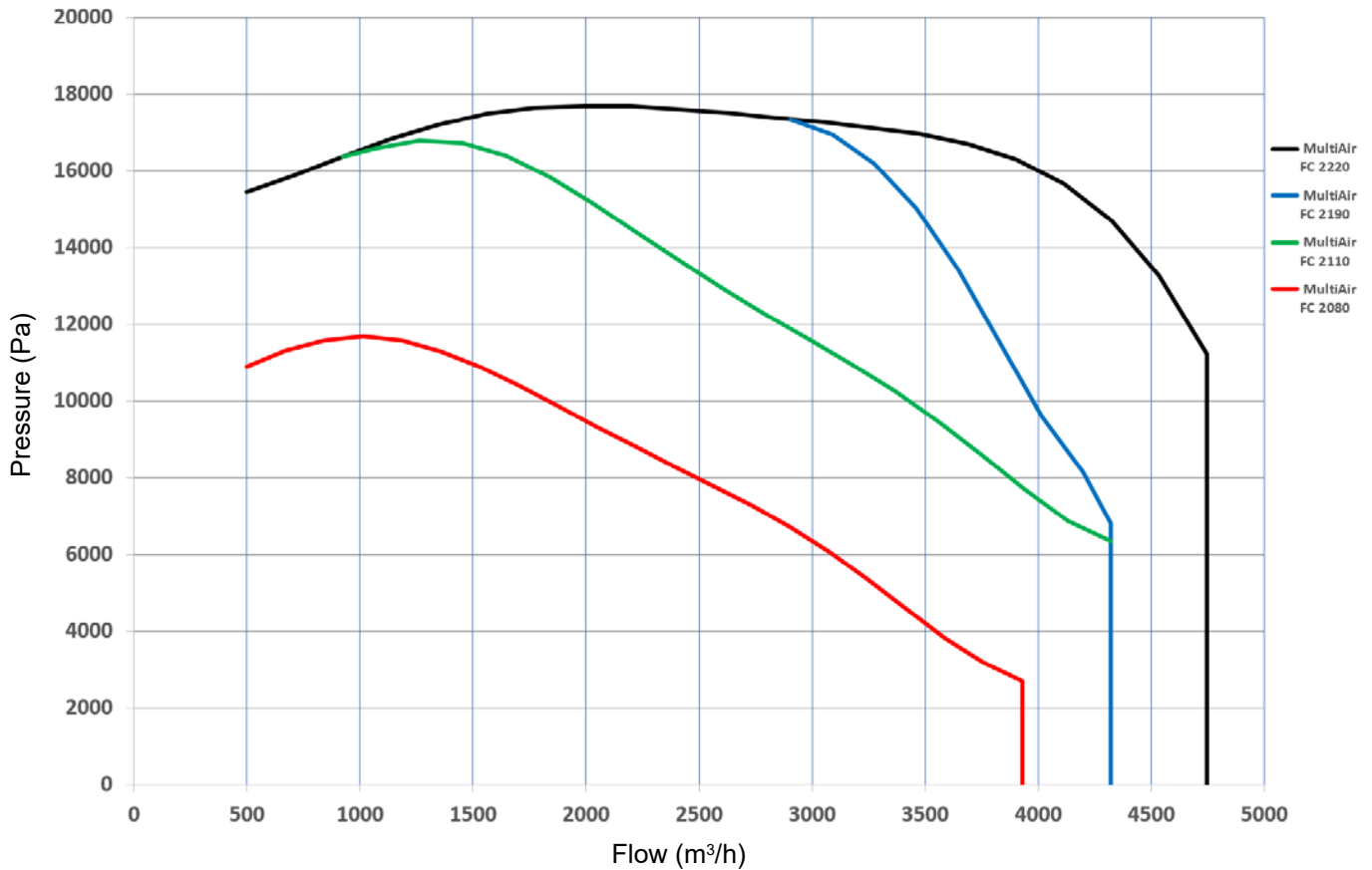
## Troubleshooting:

Fault	Cause	Remedy
No power on the operators panel	Missing main power supply or switched off main switch.	Check that the main power supply is connected and that the main switch on the blowers side panel is on.
	Interrupted circuit breaker at the blower's frequency converter	Reconnect the circuit breaker (see section "Electrical installation")
The blower does not start when the "Start" button is pushed	The blower has been switched off on the main switch and switched on again too fast.	Reset error with "Ack Fault" on the operators panel.
	"Remote" is chosen on the operator's panel.	Login as <b>Tech</b> or <b>Admin</b> and set to "Local" (if needed).
	<b>Operator</b> has not access to operate the blower.	Login as <b>Tech</b> or <b>Admin</b> and set correct access for <b>Operator</b> (if needed).
	Digital input signal External Stop NC not chosen and / or correspondingly connected in terminal X30.	Connect stop to terminal X30 or check connection. Chose the correct digital input on the operator panel.
The blower does not stop when the "Stop" button is pushed	The blower frequency converter damaged due to overvoltage caused by loose wiring or vibrations transmitted to the blower from the ground or the connected pipe system	Replace frequency converter and tighten wiring connections securely. Check for vibrations and correct according to section "Mounting"
	"Remote" is chosen on the operator's panel.	Login as <b>Tech</b> or <b>Admin</b> and set to "Local" (if needed).
The blower does not stop when the "Stop" button is pushed	<b>Operator</b> has not access to operate the blower	Login as <b>Tech</b> or <b>Admin</b> and set correct access for <b>Operator</b> (if needed)

<p>The blower does not start or stop when operated from the digital input</p>	<p>"Local" is chosen on the operator's panel.</p> <p>The digital input "External Stop NC" has not been configured correctly</p>	<p>Login as <b>Tech</b> or <b>Admin</b> and set to "Remote" (if needed).</p> <p>Ensure that the circuit is closed</p>
<p>The blower does not respond to pressing the "↓" and "↑" buttons on the operator's panel</p>	<p>"Remote" is chosen on the operator's panel.</p> <p><b>Operator</b> has not access to operate the blower</p>	<p>Login as <b>Tech</b> or <b>Admin</b> and set to "Local" (if needed).</p> <p>Login as <b>Tech</b> or <b>Admin</b> and set correct access for <b>Operator</b> (if needed)</p>
<p>No data is shown in the operator's panel</p>	<p>Missing connection between the frequency converter and the panel (via the Profinet connection). "USS com fault" is displayed in the menu <b>Status</b>.</p> <p>Frequency converter defect.</p> <p>Missing power supply to the operator's panel</p>	<p>Reconnect or replace the Ethernet cable.</p> <p>Check if they are light in the frequency converter's display. Replace the frequency converter.</p> <p>Restore the 24VDC connection</p>
<p>The blower stops unexpected</p>	<p>The blower's motor is overheated, and has been switched off by the PTC sensor in the motor</p>	<p>The motor should be allowed to cool down, and the cause for overheating examined</p>
<p>Erratic adjustment of blower performance</p>	<p>Pressure- or flow control transmitter is not correctly installed in piping, and / or not correctly connected to the blower.</p> <p>The blower's frequency converter has reached max. permissible temperature, and "Inverter over-temperature" is displayed in the menu <b>Status</b></p>	<p>Check that the pressure- or flow control transmitter is correctly installed in the pipeline (airflow in arrows direction) and properly connected to the blower electrically.</p> <p>Clean the air filter in the intake panel. Check the cooling fans on the frequency converter. If possible, reduce ambient temperature. If possible, reduce the need for capacity</p>
<p>Poor performance of the blower</p>	<p>The blower's frequency converter has reached max. permissible temperature, and "Inverter over-temperature" is displayed in the menu <b>Status</b></p>	<p>Clean the air filter in the intake panel.</p> <p>Check the cooling fans on the frequency converter.</p> <p>If possible, reduce ambient temperature.</p> <p>If possible, reduce the need for capacity</p>
<p>Blower cannot reach desired setpoint and "Unable to reach setpoint" is displayed on the operator panel</p>	<p>The blower's performance is too low for the system and setpoint</p>	<p>Adjust the setpoint down to max. achievable performance.</p> <p>Customize the system so that the blower can provide the required performance.</p> <p>Choose a blower with higher performance</p>

In case of doubt, contact a qualified service technician or Kongsilde service department.

## Performance curves for MultiAir FC 2000 series



MultiAir type	2080	2110	2190	2220
Rated blower power (kW)	7,5	11	18,5	22
Power supply	380-480V, 50/60Hz			
Fuse rating (Ampere)	25	40	50	63
Weight (kg)	290	331	335	342
Heating of air at 1.800 m³/h in °C	10	14	20	20
Ambient temperature	-10°C to 50°C			
Blower control	Blower performance is regulated by built-in frequency converter (VSD)			
Energy efficiency $\eta_e$	64,2%	64,9%	67,4%	67,2%
Energy efficiency method and -type	B - total			
Efficiency class	N 64			
Volume flow at optimum energy efficiency Q (m³/h)	2.560	3.175	3.275	3.475
Pressure at optimum energy efficiency $P_i$ (Pa)	7.800	10.950	16.200	16.950
Rotor rpm at full performance	4.800	4.800	4.800	4.800
Specific pressure ratio between inlet and outlet	1,08	1,11	1,16	1,17
MultiAir FC features	The blower performance is manually set on the operator panel. Flow or pressure control can be purchased for extended blower control			
Approvals	CE or UL/CSA			
Sound pressure level $L_p$ (1 meter)	≈ 72-76 dB (A) (application dependent)			

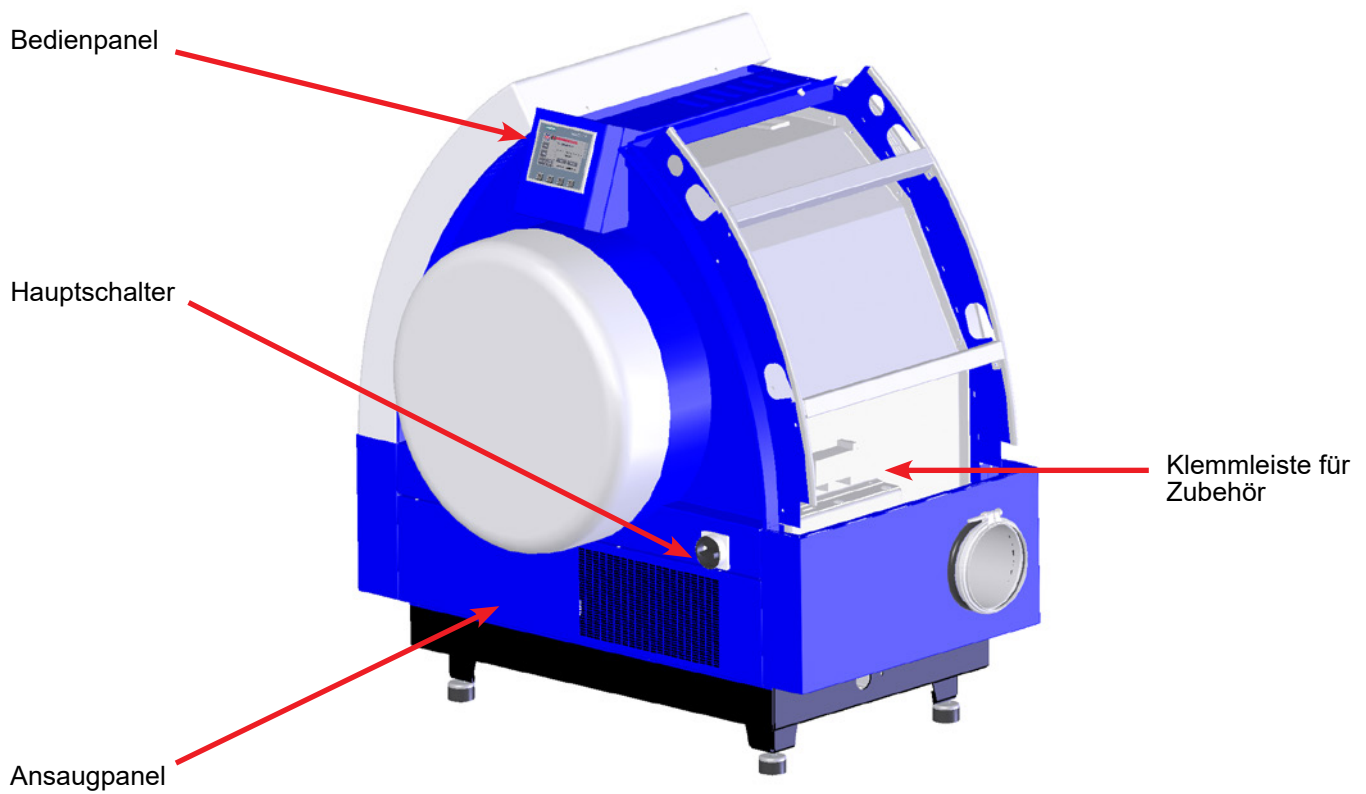
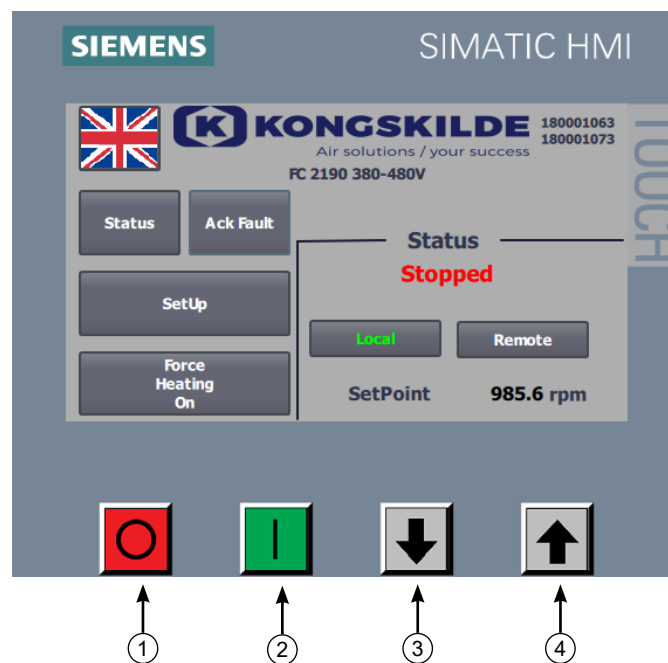


Illustration 1



1. Stopp
2. Start
3. Verringerung der Gebläseleistung
4. Steigerung der Gebläseleistung

Illustration 2



## DE

Diese Betriebsanleitung gilt für die Kongskilde MultiAir Gebläse der Baureihe FC 2000.

### Beschreibung:

Das Kongskilde MultiAir Gebläse ist für den Einsatz in pneumatischen Fördersystemen konzipiert, eignet sich aber auch für andere industrielle, pneumatische Systemlösungen.

Materialien dürfen nicht durch das Gebläse hindurch gefördert werden. Luftvolumina, die korrosive, adhäsive oder staubhaltige Partikel enthalten, dürfen das Gebläse nicht durchströmen. Bei den S-Modellen darf die Ansauglufttemperatur 70°C nicht überschreiten. Bei den T-Modellen darf die Eintrittslufttemperatur (Umgebungstemperatur) an der Ansaugseite des Gebläses 50°C nicht überschreiten.

### Warnhinweise:

Vergewissern Sie sich, dass alle Schutzvorrichtungen vorhanden und während des Betriebes ordnungsgemäß gesichert sind.

Unterbrechen Sie vor Reparatur- und Wartungsarbeiten stets die Stromzufuhr zum Gebläse. Der Hauptschalter muss ausgeschaltet und gesichert sein, damit das Gebläse nicht versehentlich gestartet werden kann.

Fassen Sie nie mit der Hand in Ein- oder Austritt, während das Gebläse läuft.

Installieren Sie das Gebläse an gut zugänglicher Stelle, um Wartungs- und Reparaturarbeiten zu erleichtern. Der Arbeitsbereich um das Gebläse herum sollte frei zugänglich und stolperfrei sein.

Sorgen Sie für ausreichende Beleuchtung, wenn Sie am Gebläse arbeiten.

Um jeglichen unbeabsichtigten Kontakt mit dem Rotor zu vermeiden, sind an den Ein- und Austrittsstutzen Rohre mit einer Mindestlänge von 850mm und einem maximalen Durchmesser von 200mm zu montieren (am Eintrittsstutzen ist dies nur für das S-Modell der MultiAir Gebläse relevant).

Diese Rohre sind mittels Bolzenkupplungen zu montieren, für deren Demontage man Werkzeug benötigt.

Sollten Rohre mit einer Mindestlänge von 850mm nicht eingesetzt werden können, ist dafür zu sorgen, dass in diesem Bereich – d.h. mindestens 850mm vom Gebläse entfernt – Bolzenkupplungen zum Einsatz kommen, für deren Demontage Werkzeug erforderlich ist. Grund hierfür ist die EU-Richtlinie 2006/42/EC (Maschinenrichtlinie), die es Unbefugten untersagt, Zugang zu rotierenden Teilen zu bekommen. Würden Schnellverschlusskupplungen verwendet, könnten Unbefugte die Rohrleitung demontieren und auf rotierende Teile zugreifen.

Die Gebläsedrehzahl ist stufenlos regelbar und wird

mittels des Bedienpanels gesteuert. Um Rotor und Motor nicht zu überlasten, lässt sich die Rotordrehzahl nicht auf höhere Werte einstellen, als für die das Gebläse ausgelegt ist. Ein Austausch der Elektrik, um die maximale Rotordrehzahl zu erhöhen, ist nicht zulässig. Tragen Sie eine Schutzbrille, wenn Sie in der Nähe des Gebläse-Luftaustritts arbeiten. Befinden sich kleine Partikel im Fördergut, könnten diese aus dem Luftaustritt des Gebläses herausgeblasen werden und Augenverletzungen verursachen. Sollten Sie ungewöhnliche Vibrationen oder Geräusche bemerken, ist das Gebläse unverzüglich auszuschalten, und qualifizierter Rat ist einzuholen.

### Montage:

Das MultiAir Gebläse wird ab Werk einsatzbereit geliefert. Es ist lediglich an die Stromversorgung sowie die Rohrleitungen am Gebläse-Ein- und -Austritt anzuschließen.

Soll der MultiAir bewegt werden, ist ein Gabelstapler oder ähnliches Gerät einzusetzen, das das Gebläse unterhalb seines Grundrahmens unterfährt bzw. anhebt. Die Gabeln müssen lang genug sein, um beide Seiten des Grundrahmens anzuheben.

Das MultiAir Gebläse ist für eine Aufstellung im Freien geeignet, und für eine Umgebungstemperatur von -10°C bis +50°C ausgelegt. Übersteigt die Umgebungstemperatur 50°C, kann sich die Lebensdauer des Gebläses verringern.

Sorgen Sie in dem Raum, aus dem das Gebläse Luft ansaugt, für ausreichende Luftzufuhr. Auch um das Gebläse herum ist für freie Luftzufuhr zu sorgen. Bei einer Aufstellung im Freien und in kalter Umgebung muss das Gebläse so geschützt werden, dass sich um den Filter herum sowie am Einlass (gilt nur für T-Modelle) kein Schnee ansammeln kann. Das Gebläse ist gleichermaßen in heißer Umgebung gegen direkte Sonneneinstrahlung zu schützen, um ein Überhitzen des Frequenzumrichters zu vermeiden.

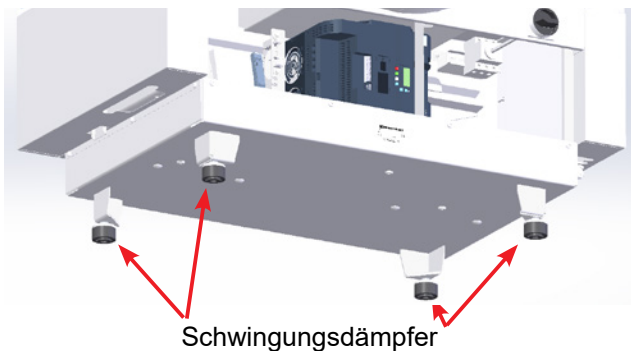
Sorgen Sie dafür, dass das Gebläse nach Montage vor Umstürzen oder Kippen gesichert ist. Bitte achten Sie darauf, dass Gebläse so aufzustellen, dass es für Betrieb und Wartung leicht zugänglich ist. Das Gebläse muss auf einer stabilen, ebenen, waagerechten Oberfläche installiert werden. Justieren Sie die Maschinenschuhe unter dem Gebläse, bis sie gleichmäßig auf der Oberfläche stehen. Befestigen Sie das Gebläse nicht am Boden bzw. der Standfläche, da andernfalls die Vibrationsdämpfer unter dem Gebläse nicht arbeiten/funktionieren können.

**HINWEIS** – wird das Gebläse Vibrationen, die vom Boden, oder von der Rohrleitung ausgehen, ausgesetzt, besteht die Gefahr, dass die Gebläse-Steuerung Schaden nimmt.

**Achten Sie bitte daher besonders darauf, dass das Gebläse auf vibrationsfreiem Untergrund installiert wird, und dass über die angeschlossene Rohrleitung keinerlei Vibrationen an das Gebläse übertragen werden.**

Besteht die Gefahr, dass das Gebläse vom Boden ausgehenden Vibrationen ausgesetzt ist, kann anstelle der Original-Schwingungsdämpfer ein anderer Typ Dämpfer montiert werden. Die Schwingungsdämpfer absorbieren Vibrationen, die im Bereich 0 – 10Hz liegen. Sie sind dafür konzipiert, externe Vibrationen zu unterbinden.

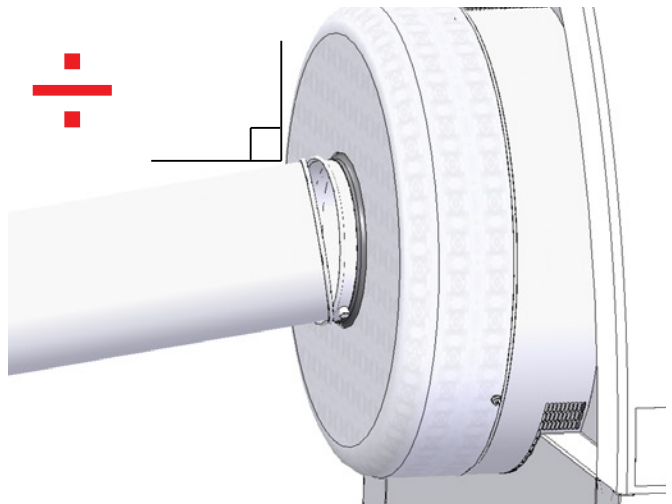
Diese Schwingungsdämpfer sind unter der Teile-Nr. 123 022 036 erhältlich. Das Set enthält 4 Dämpfer sowie flexible Übergänge Ø160 und Ø200 – siehe unten.



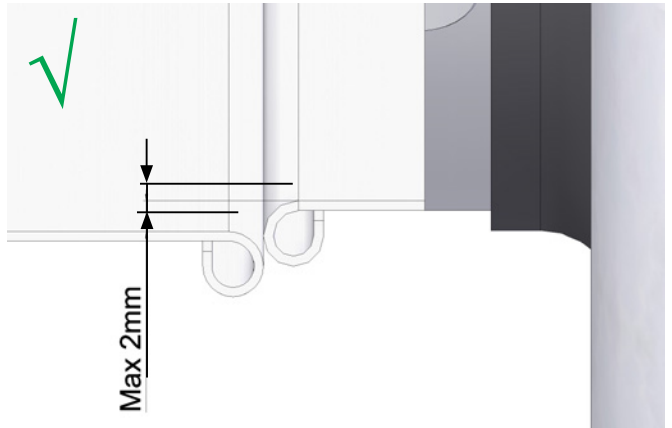
Ist das Gebläse Schwingungen seitens der Rohrleitung ausgesetzt, besteht die Gefahr, dass die Gebläse-Steuerung Schaden nimmt. Diese Vibrationen können sich durch das Gebläsegehäuse bis in die Steuereinheit fortsetzen. Unter der Kongskilde Teile-Nr. 122 000 026 ist (für den Gebläse-Austritt) ein Ø160 Übergang inklusive Kupplungen erhältlich.



Es ist wichtig, dass das Rohrsystem ordnungsgemäß unterstützt oder abgehängt wird. Darüber hinaus sollte die Verrohrung nahe des Gebläses unterstützt werden; aus der angeschlossenen Rohrleitung darf keinerlei Rotation auf das Gebläse übertragen werden. **Wird die Rohrleitung nicht ordnungsgemäß unterstützt, oder kommt es zu einer Rotationsübertragung, ist die Gefahr sehr groß, dass die Steuerung des Gebläses Schaden nimmt.**

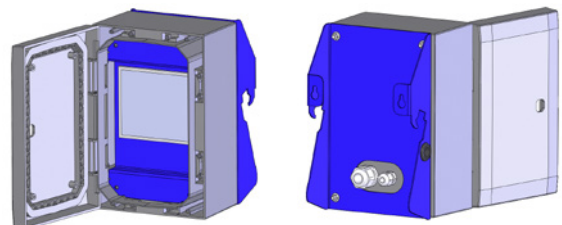


Die Rohre an der Gebläse-Ein- und -Austrittsseite sind so zu installieren, dass die Rohrenden keinerlei Versatz zueinander aufweisen – zulässig ist eine maximale Abweichung von 2mm vor Montage der Schraubkupplung.



Die Steuerkonsole muss im Innenbereich installiert werden, oder vor Wasser und UV-Strahlung geschützt werden, da Niederschlag und Sonnenlicht das Panel beschädigen können.

Unter der Kongskilde Teile-Nr. 123 022 262 ist ein Gehäuse für die Außenaufstellung der Steuerkonsole erhältlich.

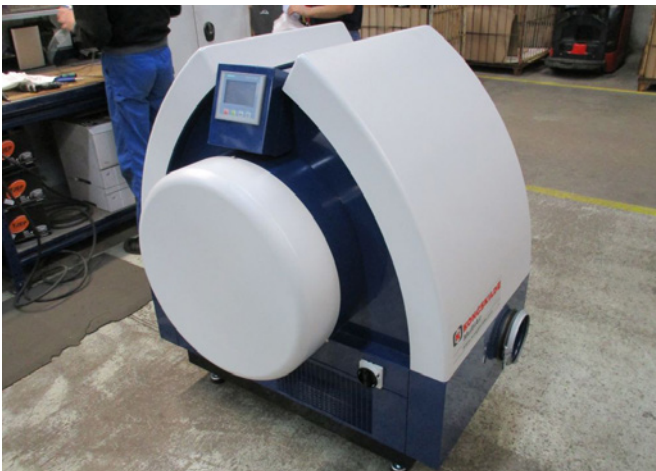


Die Steuerkonsole ist im Lieferumfang des Gebläses enthalten und kann entweder am Gebläse-Ende eingehakt (siehe Foto unten), oder an anderer Stelle montiert werden. Die Konsole verfügt über ein 10m langes Kabel, das – falls erforderlich – gegen ein maximal 150m langes Kabel ausgetauscht werden kann. Kongskilde bietet hier Verlängerungskabel-Sets in den Längen 50m, 100m und 100m. Alle enthalten Datenkabel und 24V Zuleitung und sind für den Anschluss im Freien zugelassen.

Teile-Nr.	Typ
123 022 311	50 M Verlängerungskabel (Daten + 24V)
123 022 312	100 M Verlängerungskabel (Daten + 24V)
123 022 326	150 M Verlängerungskabel (Daten + 24V)

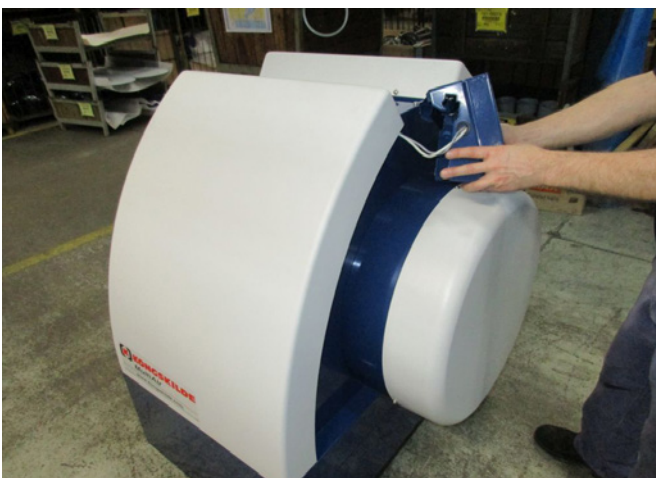
Ist eine Aufstellung im Freien notwendig, nutzen Sie hierfür bitte ein Standard CAT6 Datenkabel und eine 24V Zuleitung. Verwenden Sie für das 24V Kabel Kabelhülsen. Verlängern Sie die Kabel nicht, da Verbindungsstellen die Funktionszuverlässigkeit beeinträchtigen können.

Bei Lieferung ist die Steuerkonsole enthalten, am Gebläse angeschlossen und wie hier gezeigt am Kopfende des Gebläses eingehakt:

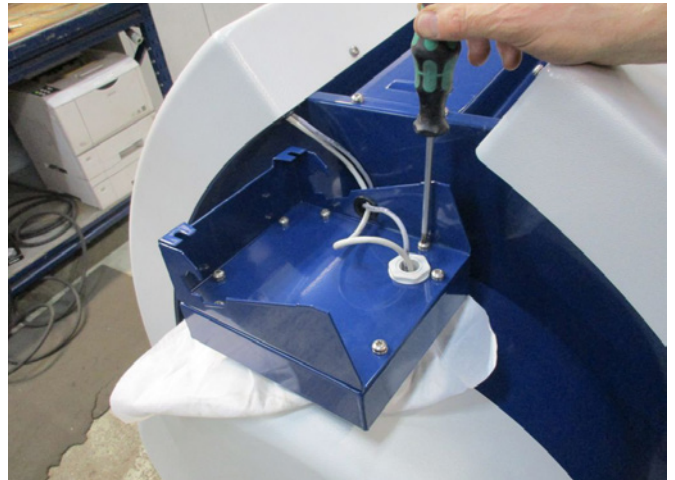


**Falls gewünscht, kann das Bedienpanel an anderer Stelle platziert werden. Dies geschieht folgendermaßen:**

1 - Das Bedienpanel wird ausgehakt und auf den Gebläse-Motor gelegt. Legen Sie ein Tuch o.ä. unter das Panel, um das Display vor Kratzern zu schützen.



2 - Die 8 Stück M6-Schrauben auf der Rückseite der Halterung des Panels werden entfernt.



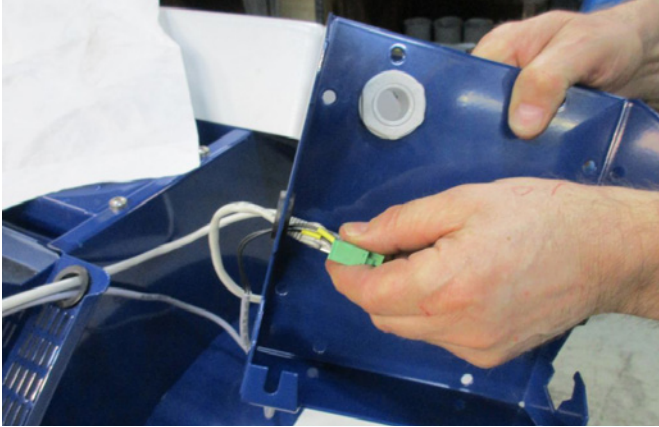
3 - Das Panel wird umgedreht, die beiden Kabel werden abgeklemmt, und das Panel wird zur Seite gelegt.



4 - Die Gebläse-Abdeckung links vom Bedienpanel wird entfernt (befestigt mit zwei M6-Schrauben), und der Kabelbinder wird abgeschnitten.



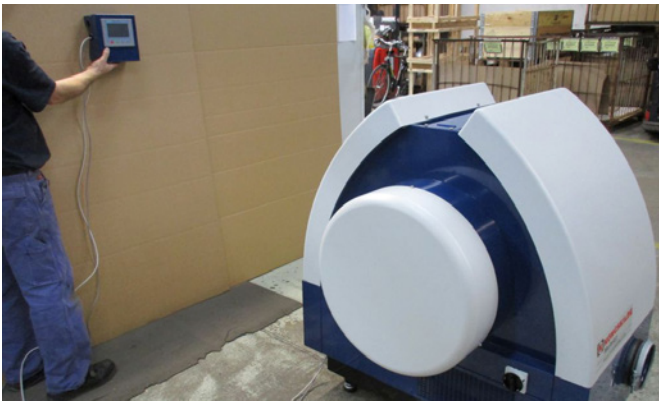
5 - Die Kabelentlastung an der Halterung des Panels wird gelockert, die Kabel werden aus der Haltung und aus beiden Löchern in der Gebläse-Endplatte herausgezogen und an der linken Seite des Gebläses herabgeführt.



6 - Beide Kabel werden durch eine M25 Kabelentlastung (nicht enthalten) geführt, die an der Vorder- oder Rückseite des Gebläse-Grundgestells zu montieren ist, wobei die neue Position des Bedienpanels zu berücksichtigen ist.



7 - Die Kabel werden durch die Panelhalterung geführt, die Kabel werden angeschlossen, die Kabelentlastung wird angezogen, und die 8 Schrauben werden wieder eingesetzt. Mittels der beiden Schlitze auf der Rückseite kann das Panel nun an einer Wand o.ä. befestigt werden. Das Bedienpanel wird mit 10 Metern Kabel geliefert. Falls erforderlich, lässt es sich auf 100 Meter erweitern.



### Anschluss von Druck- oder Durchflussregelung (Zubehör)

Sollten Sie die eingebaute PID-Steuerung des Gebläses nutzen wollen, um einen festgelegten Druck oder Volumenfluss vom Gebläse beizubehalten, ist an der Steuereinheit eine Druck- oder Durchflussregelung anzuschließen.

Kongskilde empfiehlt den Einsatz seiner Standard-Druck- oder Durchflusswächter für automatischen Betrieb.

Zusätzlich zu entweder einer im Rohr angebrachten Öffnung, oder einem am Rohr installierten Druckstutzen, enthält sowohl das Druck-, als auch das Durchflusswächter-Paket einen externen Differenzdruckgeber. Zudem enthalten beide Pakete Schläuche und Montagematerial.

**WICHTIG:** Der Differenzdruckgeber ist auf festem, vibrationsfreiem Untergrund zu installieren – d.h. zum Beispiel nicht an der Rohrleitung oder am Gebläse. Zudem müssen die Messanschlüsse mit einem Mindestabstand von 20x dem Rohrleitungsdurchmesser zum Gebläse montiert werden. Andernfalls zeigt das Steuerpult nicht die korrekten Werte für Druck und Durchfluss.

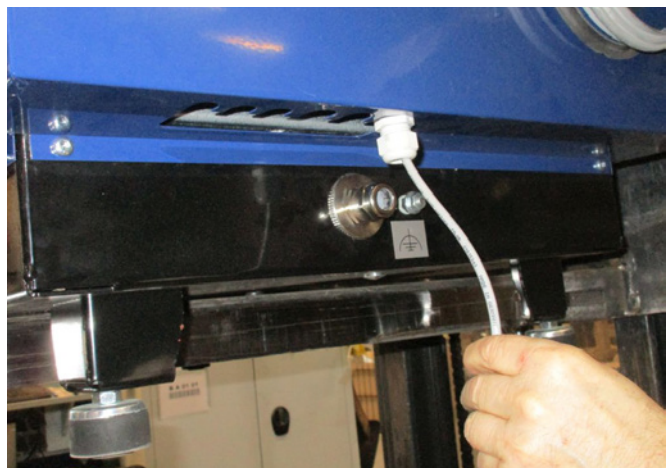
Die Druck- oder Durchflussregel-Pakete können unter folgenden Nummern bestellt werden:

Teile-Nr.	Typ
123 021 049	Druckregelereinheit
123 030 248	Durchflussregelereinheit

Beim Anschließen von Druck- oder Durchflussregelereinheiten sind die Kabel vom Differenzdruckgeber wie folgt mit der Klemmleiste des Gebläses zu verbinden:

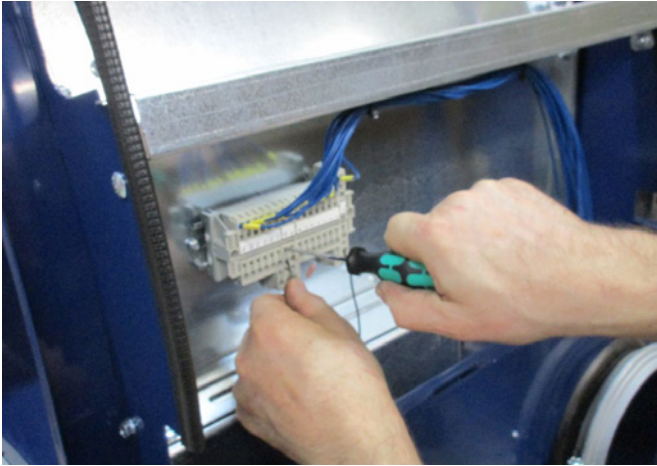
1 - Die von der Motorseite aus betrachtet rechte Gebläse-Abdeckung wird entfernt.

2 - Führen Sie das Kabel des Differenzdruckgebers durch eine M20 Kabelentlastung (wird nicht mitgeliefert), und befestigen Sie die Kabelentlastung am Grundrahmen.



3 – Die Klemmen werden mit Hilfe eines kleinen Schraubenziehers geöffnet, und die Kabel gemäß folgendem Schema installiert:

- Klemme 1 (+24VDC) an Klemme 2 des Druckgebers.
- Klemme 10 (4-20Ma Signal) an Klemme 1 des Druckgebers.
- Sofern für den Druckgeber erforderlich (gilt nicht für Kongskilde-Fabrikate), sollte eventuell die Klemme 2 (0VDC) mit dem Druckgeber verbunden werden.



4 - Die Kabelentlastung wird angezogen, und die Gebläse-Abdeckung wieder angebracht.

5 - Der Differenzdruckgeber wird auf vibrationsfreiem Untergrund installiert.

6 - Der Druckgeberdeckel wird entfernt, die Kabel werden gemäß dem Schema angeschlossen, der Deckel wird wieder montiert.

7 - Die Schläuche aus der Öffnung (bei Durchflussregelung) oder am Druckstutzen (bei Druckregelung) werden gemäß Abbildung angeschlossen. 4m durchsichtigen Schlauchs sind enthalten - eine Verlängerung ist bei Bedarf möglich.

#### **Montage der Rohre:**

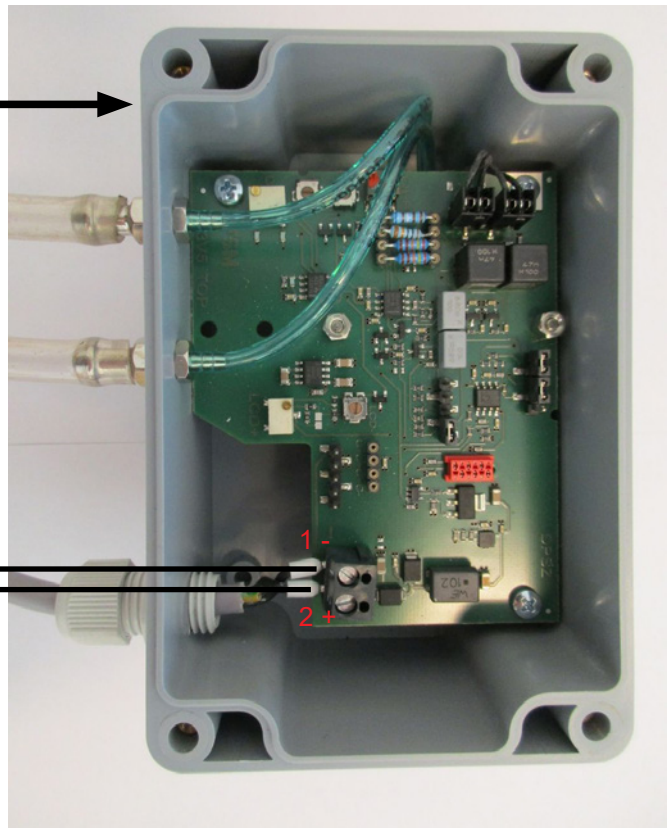
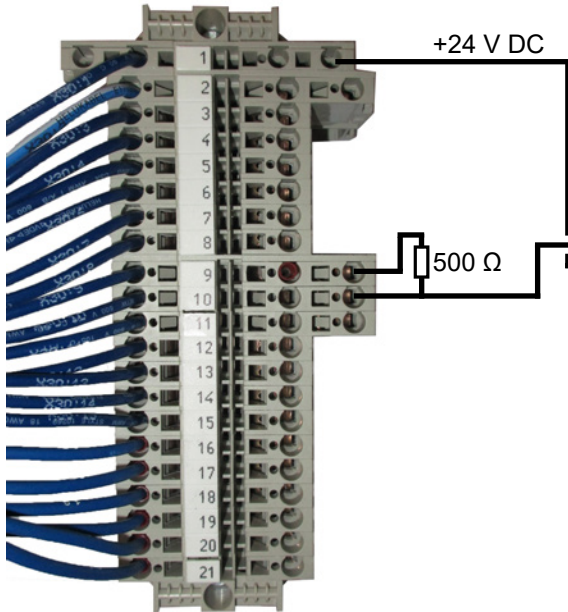
Die Förderleistung eines pneumatischen Fördersystems hängt in hohem Maße vom Layout der Rohrleitung ab. Es ist daher sehr wichtig, das Layout zu beachten und zu befolgen, das für dieses Rohrsystem und die betreffende Installation ausgelegt und konzipiert wurde. Bedenken Sie, dass die Verbindungen innerhalb des Rohrsystems dicht sein müssen, da Undichtheiten die Förderleistung verringern.

Hinweis: Nach Anschluss der Spannungsversorgung am Gebläse kann es zu einer Verzögerung von bis zu einer halben Minute kommen, bis das Bedienpanel leuchtet.

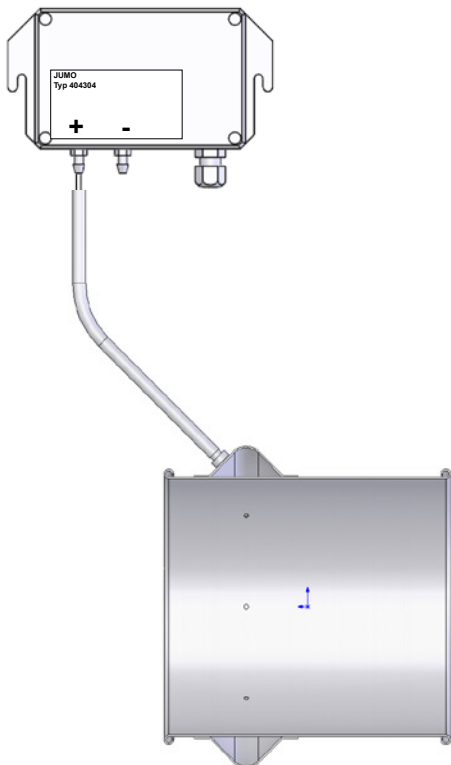
**Anschluss der Druck-/Vakuum- oder Durchflussregelung**

Differenzdruckmessumformer für Druck-/ Vakuum- oder Durchflussregelung

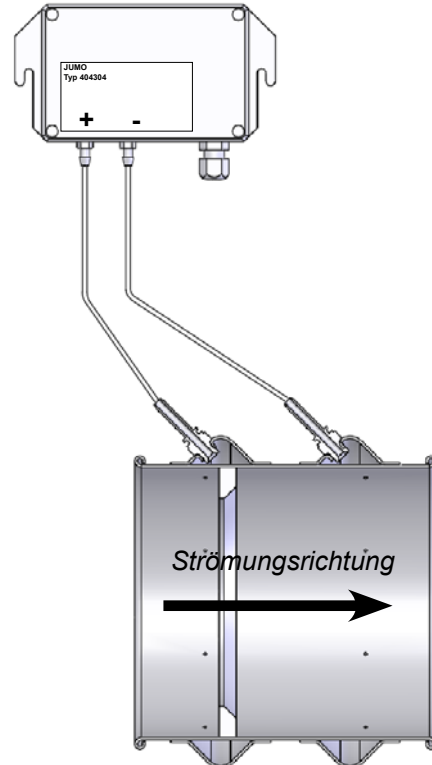
Klemmenblock auf der linken Seite des Gebläses (von der Ansaugseite aus gesehen)



**Schlauchverbindung zwischen Druckgeber und Druckaustritt (für Druckregelung)**



**Schlauchverbindung zwischen Druckgeber und Öffnung (für Durchflussregelung)**



## Elektromontage:

Das MultiAir Gebläse kann in den Betriebsspannungsvarianten 380-480V geliefert werden. Soll das Gebläse in den Spannungsbereichen 200-240V und 480-575V installiert werden, muss zwischen der Stromversorgung und dem Gebläse ein externer Transformator eingebaut werden.

Örtliche Gewerbeaufsichts- und Werksvorschriften sind einzuhalten.

Bitte überprüfen Sie, dass die Stromversorgung vor Ort für das MultiAir Gebläse geeignet ist.

Lesen Sie hierzu ebenfalls die separaten Anleitungen für das elektrische Equipment des Gebläses, die der Lieferung beiliegen.

Hinweis: Oberhalb der Versorgungskabelentlastung und der Klemme für Potentialausgleich befinden sich im Grundrahmen 6 Ausschnitte für Kabelentlastungen. Diese können für Steuerleitungen, einen Differenzdruckgeberanschluss, digitale Ein- oder -Ausgangsanschlüsse oder Ähnliches verwendet werden.

Ein externer Start-/Stopp-Schalter und/oder Schaltkasten für einen externen Motor kann unter folgenden Teile-Nummern bei Kongskilde bestellt werden:

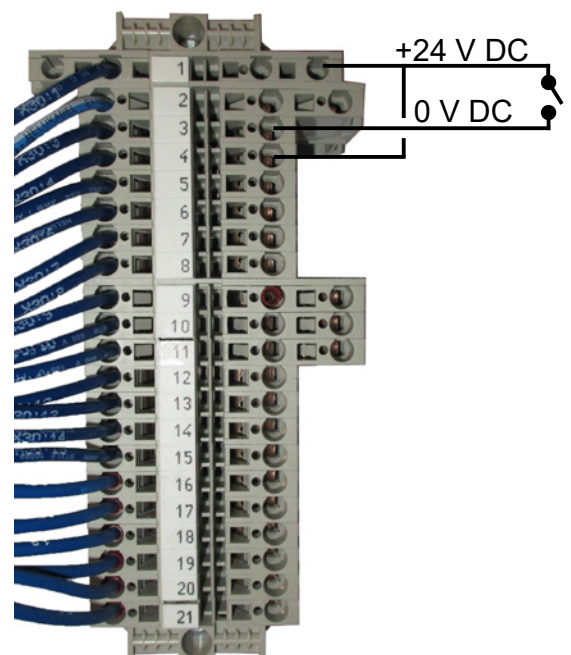
Teile-Nr.	Typ
100 503 357	Externer Start-/Stopp Kontakt
100 503 338	Externe Motorsteuerung 0,55kW (bei 400V) 1,3-1,7A
100 503 345	Externe Motorsteuerung 0,75kW (bei 400V) 1,7-2,3A
100 503 341	Externe Motorsteuerung 1,1kW (bei 400V) 2,3-3,1A
100 503 342	Externe Motorsteuerung 1,5kW (bei 400V) 3,1-4,2A
100 503 339	Externe Motorsteuerung 2,2kW (bei 400V) 4,2-5,7A
100 503 343	Externe Motorsteuerung 3kW (bei 400V) 5,7-7,6A
100 503 340	Externe Motorsteuerung 4kW (bei 400V) 7,6-10A

Der Start-/Stopp-Schalter und die Schaltkästen sind mit 3x200V-600V 50/60Hz spezifiziert.

## Start/Stopp-Kontakt



Der externe Start/Stopp-Kontakt wird auf Klemmleiste X30 zwischen den Klemmen 1 (+24VDC) und 3 (Digitaleingang 0) angeschlossen. Zwischen den Klemmen 1 und 4 wird eine Schleife installiert.



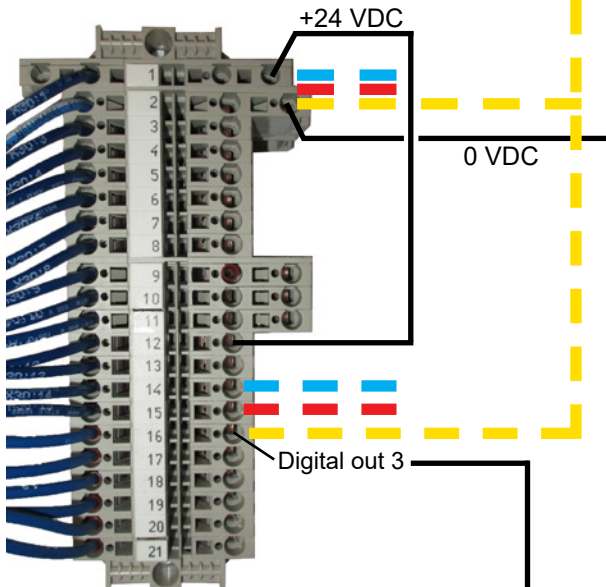
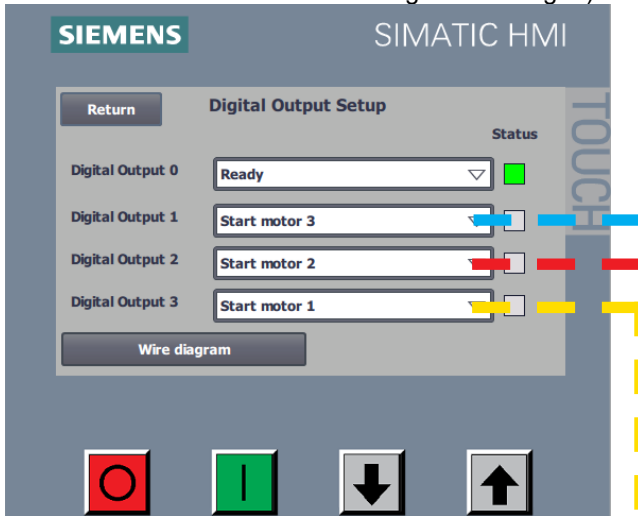
An der Bedienkonsole sollte: Digitaleingang 0 auf *Externes Startsignal – halte* und Digitaleingang 1 auf *Externer Stopp NC* gesetzt werden.

### Externe Motorsteuerung

Die externe Motorsteuerung wird auf Klemmleiste X30 zwischen den Klemmen 2 (0 VDC) und 16 (Digitalausgang 3) angeschlossen. Zwischen den Klemmen 1 (+24 VDC) und 12 wird eine Schleife installiert. Zusätzliche Motoren können an Klemmen 15 und Klemmen 14 hinzugefügt werden.

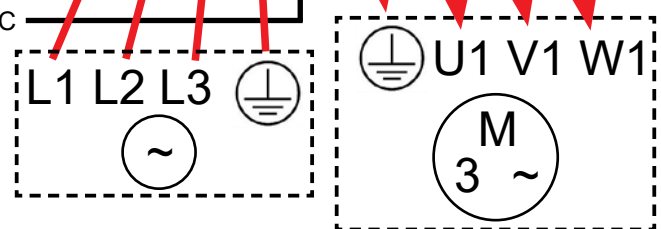
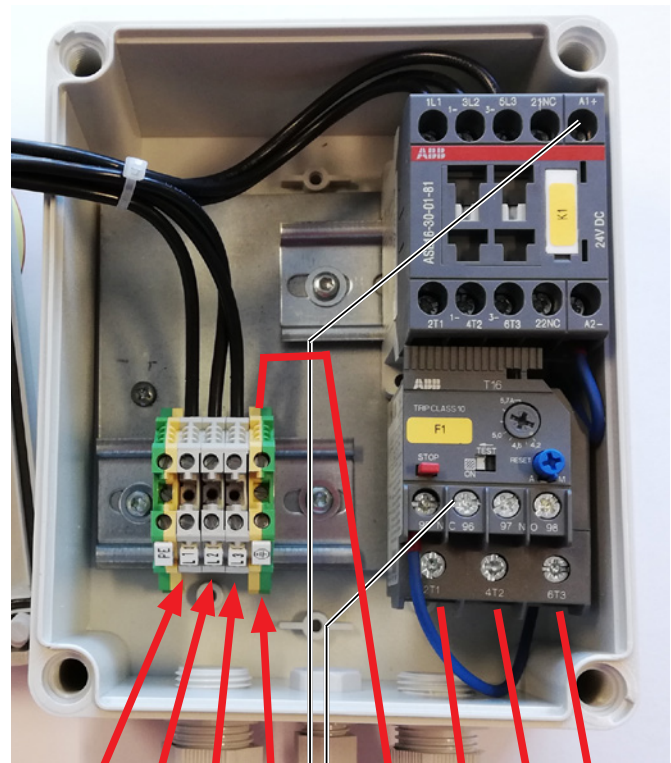
An der Bedienkonsole sollte:

Digitalausgang 3 auf *Start Motor 1* gesetzt werden. Zusätzlich kann eine Verzögerung konfiguriert werden – siehe Abschnitt "Einstellung des Gebläses vor Betrieb mittels der Bedienkonsole". (Die gepunkteten Linien zeigen nur Kohärenz und keine Verdrahtungsverbindungen).



Der TEST-Knopf ist mittels eines Schraubenziehers in regelmäßigen Abständen zu betätigen – z.B. alle sechs Monate. Schalten Sie nach Abschaltung mit dem blauen RESET-Knopf wieder ein. Löst das Relais nicht aus, ist es defekt und muss ersetzt werden.

Der Schalter auf der Abdeckung der externen Motorsteuerung ist ein Sicherheitsschalter, der vor Reparatur- und Wartungsarbeiten immer auszuschalten ist. Der Sicherheitsschalter muss verriegelt werden, so dass der externe Motor – z.B. an einem Cutter – nicht versehentlich gestartet werden kann.



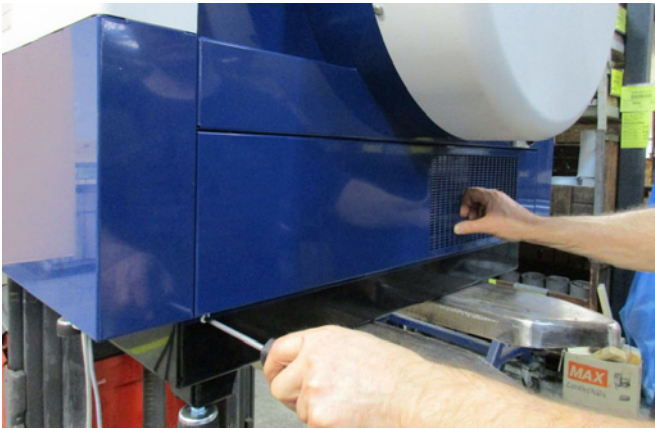
Der Nennstrom des externen Motors wird am Potentiometer des thermischen Relais eingestellt. Wird der Motor überlastet, wird das thermische Relais abschalten und muss neu angeschlossen werden, nachdem der Fehler untersucht wurde. Kongskilde empfiehlt, den blauen RESET-Knopf auf Position M (manuell) zu setzen. Wird der Knopf auf Position A (automatisch) gesetzt, wird sich das Relais automatisch wieder anschließen – es ist daher nicht möglich zu überprüfen, wann die Abschaltung stattfindet.



**Wichtig** – Über die Klemme rechts der Versorgungskabelentlastung (am Symbol für Potentialausgleich) ist das Gebläse zu erden.

**Die Versorgungs- und Potentialausgleichskabel werden wie folgt angeschlossen:**

1 - Unter dem Gebläse-Motor befindet sich das Ansaugpanel, befestigt mittels 4 Stück M6 Schrauben. Diese Schrauben werden entfernt, und das Panel wird abgezogen und bei Seite gestellt.



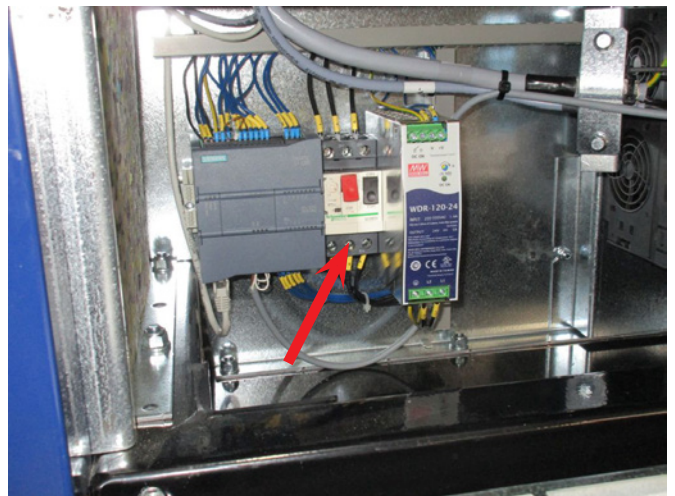
2 - Das Versorgungskabel wird durch die Kabelentlastung im Grundgestell auf der (von der Motorseite aus betrachteten) rechten Gebläseseite gezogen. Das Potentialausgleichskabel wird rechts vom Versorgungskabel montiert und angezogen.



3 - Das Versorgungskabel wird in den Hauptschalter geführt und gemäß der Markierung angeschlossen. Hier sind Pressklemmen zu verwenden. Die Kabelentlastung im Grundgestell wird angezogen, und das Ansaugpanel wird mittels der 4 Schrauben erneut befestigt.



Zwischen der SPS und ihrem 24V Netzteil befindet sich ein Schutzschalter, der SPS und Bedienpanel schützt. Dieser wird in Position EIN (ON) geliefert, kann aber im Falle einer Überlastung AUS (OFF) schalten.



(Hier mit entferntem Ansaugpanel gezeigt.)

## Konfiguration des Gebläses vor Betrieb (über das Bedienpanel):

Nach Montage und elektrischem Anschluss kann das Gebläse für die gewünschte Betriebsart konfiguriert werden. Dies erfolgt über das Bedienpanel.

Treten bei der Bedienung per Fingertipp Probleme auf, kann statt des Fingers z.B. der Radierer am Ende eines Bleistifts verwendet werden.

Über das Setup-Menü greifen Sie auf die Konfiguration des Gebläses zu. Der Betrieb und die Konfiguration des Gebläses werden durch 3 Anwenderniveaus geschützt:

1. **Operator** – ist nicht passwortgeschützt, und kann daher jeder sein, der Zugang zum Gebläse hat. Der **Operator** hat jederzeit Zugriff auf:

- a) Sprachwechsel
- b) Statusanzeige
- c) Fehlerrücksetzung

Hat der Anwender **Tech** den Zugriff gewährt, kann der **Operator** zudem:

- d) Zwischen Lokal- und Fern-/Remotesteuerung des Sollwertes wählen.

Bei Lokalsteuerung kann das Gebläse mittels der Tasten 1 und 2 gestartet und gestoppt, und der Sollwert mittels der Tasten 3 und 4 eingestellt werden.

Ist dem **Operator** nicht gestattet, den Sollwert einzustellen, werden die Tasten Lokal und Remote nicht angezeigt. Hat der Anwender **Tech** Lokalsteuerung gewählt, kann auch der **Operator** das Gebläse starten und stoppen, und er kann den Sollwert am Lokal-Display einstellen – er kann jedoch nicht zu Remote wechseln. Wurde Remotesteuerung gewählt, sind Start/ Stopp/Auf und Ab nicht am Display möglich.

2. **Tech** – ist passwortgeschützt. **Tech** weist dem **Operator** seine Rechte bezüglich der Steuerung und Einstellung des Gebläses zu; das ist seine Aufgabe. Hat **Operator** keine Berechtigung, den Sollwert einzustellen, tut dies **Tech**.

3. **Admin** – ist passwortgeschützt. **Admin** legt den Betriebsmodus des Gebläses fest:

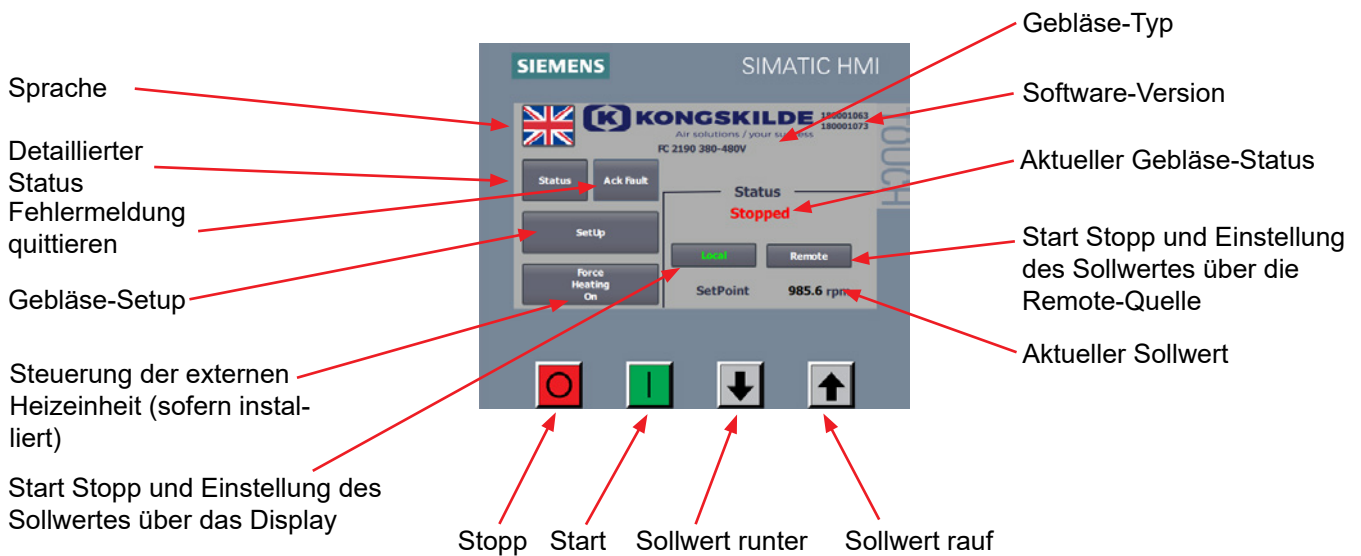
- Geschwindigkeit, Druck- oder Durchfluss-Regelung
- Konfiguration der analogen und digitalen Ein- und Ausgaben

Normalerweise kommt **Admin** nur bei der Einrichtung des Gebläses zum Einsatz.

Hinweis: Bleibt das Bedienpanel länger als 5 Minuten inaktiv, werden die Anwender Tech und Admin ausgeloggt. Sie müssen sich somit erneut einloggen, um weitere Einstellungen zu ändern.

Zugriff des Operators auf die Gebläse-Steuerung (Bedienerzugriff wird von den Anwendern Tech oder Admin gewährt)					
Einstellungen durch Tech			Operator		
		Lokal / Remote	Start / stopp	Auf / Ab	Lokal / Remote
Manuelle Einstellung des Sollwertes am Lokal-Display	Nein	Lokal	√	√	Keine Anzeige
Manuelle Einstellung des Sollwertes am Remote-Display	Nein	Remote	⊖	⊖	Keine Anzeige
Manuelle Einstellung des Sollwertes am Lokal-Display	Ja	Lokal	√	√	√
Manuelle Einstellung des Sollwertes am Remote-Display	Ja	Remote	√	√	√

## HAUPTDISPLAY



### Anwender Operator



Hat der Anwender **Tech** dem **Operator** Zugriff auf den Wechsel zwischen Lokal und Remote gewährt, sieht das Hauptdisplay wie folgt aus.

Der Anwender **Operator** kann:

- Das Gebläse starten und stoppen
- Den Sollwert des Gebläses herab- und heraufsetzen
- Zwischen Lokal- und Remotesteuerung des Gebläses wechseln
- Die Sprache wählen
- Den detaillierten Status sehen
- Fehlermeldungen quittieren (Fehler zurücksetzen)



Hat der Anwender **Tech** dem **Operator** keinen Zugriff auf den Wechsel zwischen Lokal und Remote gewährt und Lokal gewählt, sieht das Hauptdisplay wie folgt aus:

Der Anwender **Operator** kann:

- Das Gebläse starten und stoppen
- Den Sollwert des Gebläses herab- und heraufsetzen
- Die Sprache wählen
- Den detaillierten Status sehen
- Fehlermeldungen quittieren (Fehler zurücksetzen)



Hat der Anwender **Tech** dem **Operator** keinen Zugriff auf den Wechsel zwischen Lokal und Remote gewährt und Remote gewählt, sieht das Hauptdisplay wie folgt aus:

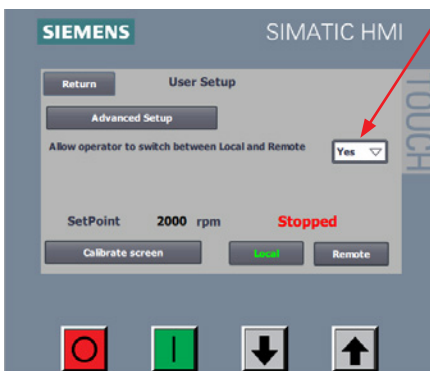
Der Anwender **Operator** kann:

- Die Sprache wählen
- Den detaillierten Status sehen
- Fehlermeldungen quittieren (Fehler zurücksetzen)

### Anwender Tech



**Tech** legt im Setup-Menü die Zugriffsberechtigung des Operators fest. Tech wird aufgefordert, sich einzuloggen. Als Tech eingeloggt können Sie nun wählen, ob der Nutzer **Operator** Zugriff auf die Einstellung des Sollwertes haben soll. Wähle **Setup**.



Der folgende Bildschirm erscheint, und **Tech** kann dem **Operator** die Erlaubnis erteilen, zwischen Lokal und Fern umzuschalten, indem er im Pulldown-Menü auswählt.

Mit Yes kann der **Operator** zwischen Lokal und Fern umschalten.

Mit No erlaubt dem **Operator** nicht, zwischen Lokal und Remote zu wechseln.

Ist das Gebläse nicht an externes Equipment angeschlossen, das es betreiben kann, sollte im Aktionsmenü NO/NEIN gewählt werden.

Wird Lokal wählt, kann der **Operator** das Gebläse starten, stoppen, und den Sollwert einstellen. Wird Remote wählt, kann der **Operator** das Gebläse nicht bedienen. Eine manuelle Einstellung des Sollwertes erfolgt im Setup-Menü durch **Tech**.

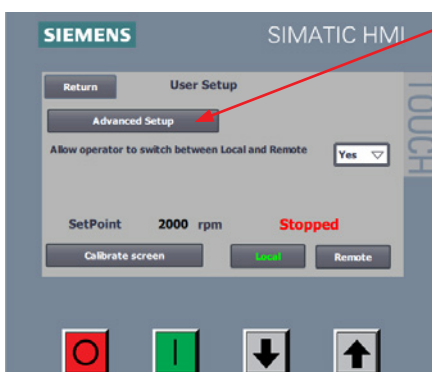
Das Menü **Display Kalibrieren** ermöglicht die Kalibrierung des Touchscreens, sofern das erforderlich ist.

### Anwender Admin

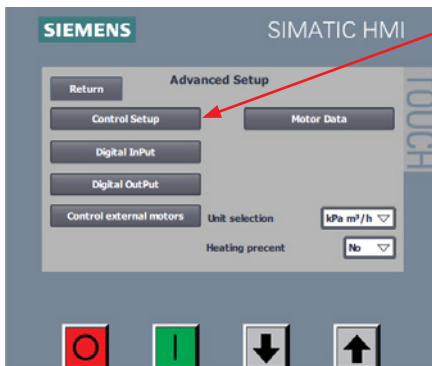
Die Gebläse-Konfiguration wird vom Nutzer **Admin** im Control-Setup Menu gesteuert; der gewünschte Betriebsmodus wird wie folgt eingestellt:  
Wählen Sie den Login als **Admin**  
Wählen Sie **Setup**



Wählen Sie **Erweiterter Setup**



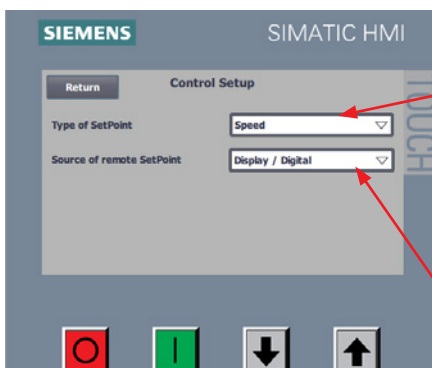
Wählen Sie **Control Setup**



Man kann nun zwischen 3 verschiedenen Betriebsmodi (3 Regelungsarten) wählen:

1. Geschwindigkeit – einfache Steuerung, bei der das Gebläse mit einer festgelegten Drehzahl läuft.
2. Druck – PID Steuerung, bei der das Gebläse einen gleichbleibenden statischen Druck liefert. Der Druck wird mittels eines an die Gebläse-Steuerung gekoppelten Druckaufnehmers gemessen.
3. Durchfluss – PID Steuerung, bei der das Gebläse einen gleichbleibenden Volumenfluss liefert. Der Durchfluss wird mittels eines an die Gebläse-Steuerung gekoppelten Durchflussgebers gemessen.

Wählen Sie dann, von wo aus die Sollwerteinstellung erfolgen soll. Es gibt drei verschiedene Möglichkeiten, den Sollwert einzustellen; vom Display des Bedienpanels aus, mittels Digitaleingabe, oder mittels Analogeingabe an das Gebläse.

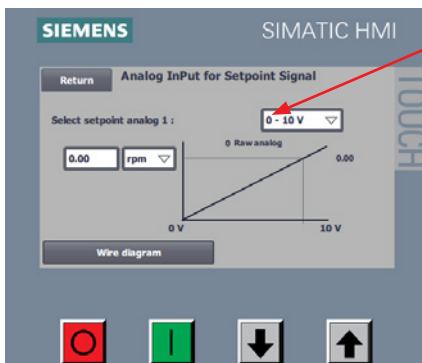


Unter **Source of Remote Set Point** (Quelle des externen Sollwerts) kann zwischen den folgenden beiden Optionen gewählt werden:

1. Display / Digital
2. Analog

Wollen Sie den Sollwert über das Display des Bedienpanels und/oder mittels Digitaleingabe einstellen, setzen Sie die **Source of Remote Set Point** auf **Display / Digital**. Soll der Wert mittels Analogeingabe eingestellt werden, wählen Sie analog.

Wählt man die Steuerung durch Geschwindigkeit, wird **Setup Feedback Sensor** (richte Rückmeldesensor ein) nicht angezeigt. Wird **Display / Digital** gewählt, wird außerdem **Setup Analog Set Point** (richte analogen Sollwert ein) nicht angezeigt.



Unter **Setup Analog Set Point** wird die Art des externen Signals, das an die Gebläse-Steuerung gesendet wird, gewählt. Hier gibt es zwei Arten:

- 0 – 10 V
- 4 – 20 mA

Denken Sie daran, den Nebenschlusswiderstand gemäß dem gewählten Signal an die Klemmleiste des Gebläses anzuschließen – siehe hierzu die Diagramme am Abschnittsende.

In Box 1 wird angezeigt, wofür das analoge Signal steht. Hier stehen die folgenden Einheiten zur Auswahl:

1. **Rpm** – Gebläsebetrieb mit festgelegter Geschwindigkeit
2. **kPa** – das Gebläse wird gemäß einem bestimmten spezifischen Druck in kPa eingestellt
3. **in WS** - das Gebläse wird gemäß einem bestimmten spezifischen Druck in Zoll Wassersäule eingestellt
4. **m³/h** – das Gebläse wird gemäß einem bestimmten Durchfluss in m³ pro Stunde eingestellt
5. **CFM** – das Gebläse wird gemäß einem bestimmten Durchfluss in Kubikfuß pro Minute eingestellt (ft³/m)

Box 2 gibt den maximalen physikalischen Wert des analogen Signals an, der hier durch einige Beispiele verdeutlicht wird.

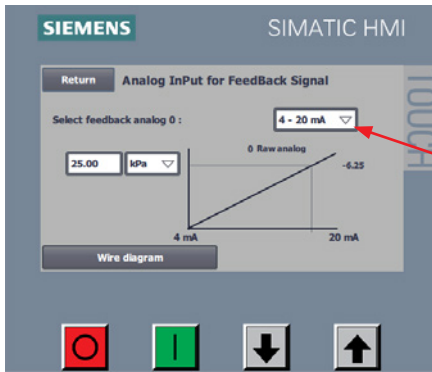
Bsp. 1 – Folgendes wurde gewählt: analoger Sollwert: 0 – 10 V und Einheit in Box 2: Rpm. Gibt man den Wert 4800 in Box 1 ein, bedeutet dies, dass die Steuerung bei der Versorgung mit 10 V bei Analogeingabe 1 den Sollwert 4800 rpm (U/min) annehmen wird. Führt man der Analogeingabe 1 nur 5 V zu, wird die Steuerung einen Sollwert von 2400 rpm (U/min) annehmen.

Bsp. 2 – Folgendes wurde gewählt: analoger Sollwert: 4 – 20 mA und Einheit in Box 2: kPa. Gibt man den Wert 20 in Box 1 ein, bedeutet dies, dass die Steuerung bei der Versorgung mit 20 mA an der Analogeingabe 1 den Sollwert 20 kPa annehmen wird. Führt man der Analogeingabe 1 nur 4 mA zu, wird die Steuerung einen Sollwert von 0 kPa annehmen.

Bsp. 3 – Folgendes wurde gewählt: analoger Sollwert: 4 – 20 mA und Einheit in Box 2: CFM. Gibt man den Wert 3500 in Box 1 ein, bedeutet dies, dass die Steuerung bei der Versorgung mit 20 mA an der Analogeingabe 1 den Sollwert 3500 CFM annehmen wird. Führt man der Analogeingabe 1 nur 12 mA zu, wird die Steuerung einen Sollwert von 1750 CFM annehmen.

Soll das Gebläse mit maximaler Leistung arbeiten, empfehlen wir, einen der folgenden Werte zu verwenden:

- 4800 Rpm (U/min)
- 20 kPA
- 6000 m³/h
- 80 in WS
- 3500 CFM



Für Druck- und Durchflusssteuerung muss ein Rückführsignal bestimmt werden, bei Drehzahlregelung hingegen nicht.  
Wählen Sie **Setup Feedback Sensor** (richte Rückmeldesensor ein)

Unter **Select Feedback Analog 0** (wähle Rückmeldung analog 0) wählt man die Art des Signals, das vom Umformer gesendet wird. Zwei Arten stehen zur Wahl:

- 0 – 10 V
- 4 – 20 mA (siehe Diagramm am Ende des Abschnitts)

Box 1 gibt die Einheit des analogen Signals an. Hier können Sie zwischen folgenden Einheiten wählen:

- kPa
- in WS

Box 2 gibt den maximalen physikalischen Wert des analogen Rückführsignals an, der hier durch einige Beispiele verdeutlicht wird (s. auch die vorherigen Anschlussbeispiele mit Kongskilde Druck-/Durchflusssteuerung).

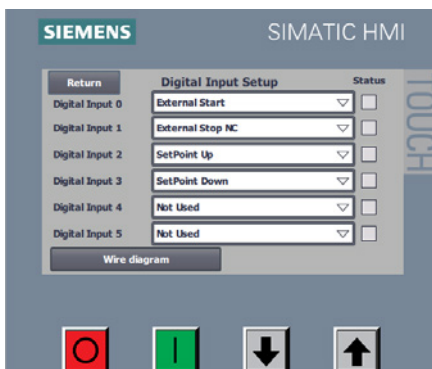
Bsp. 1 – Folgendes wurde gewählt: analoge Rückmeldung 0: 0 – 10 V und Einheit in Box 1: kPa.

Gibt man den Wert 25 in Box 2 ein, bedeutet dies, dass die Steuerung bei der Versorgung mit 10 V an der Analogeingabe 0 ein Rückführsignal von 25 kPa verzeichnen wird. Führt man der Analogeingabe 0 nur 5 V zu, wird die Steuerung eine Rückführsignal von 12,5 kPa registrieren.

Bsp. 2 – Folgendes wurde gewählt: analoge Rückmeldung 0: 4 – 20 mA und Einheit in Box 1: in WS.

Gibt man den Wert 80 in Box 2 ein, bedeutet dies, dass die Steuerung bei der Versorgung mit 20 mA an der Analogeingabe 0 ein Rückführsignal von 80 in WS verzeichnen wird. Führt man der Analogeingabe 0 nur 4 mA zu, wird die Steuerung eine Rückführsignal von 0 in WS registrieren.

Im Falle einer digitalen Verbindung sollten die digitalen Eingaben definiert werden. Wählen Sie im Hauptmenu **Setup – Advanced Setup – Digital Input** (Setup – erweiterter Setup – digitale Eingabe).



Aus Folgendem kann gewählt werden:

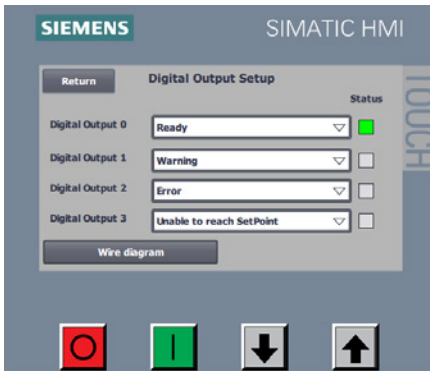
1. Nicht verwendet
2. Externes Startsignal - Hold
3. Externes Startsignal - Impuls
4. Externer Stopp NC\*
5. Sollwert rauf
6. Sollwert runter
7. Heizung ein (falls ein Heizelement installiert ist – für den Einsatz bei Umgebungstemperaturen unter -10°C)

Zusätzlich können Sie den entsprechenden Schaltplan ansehen – wählen Sie Wire diagram (Schaltplan).

In der Spalte Status wird angezeigt (in grün), ob die Steuereinheit die Eingabe verzeichnet hat.

\* Damit das Gebläse bei Fernsteuerung startet, muss externer Stopp geschlossen sein. Das Gebläse stoppt, wenn externer Stopp geöffnet wird.

Die digitalen Ausgänge sollten entsprechend definiert werden. Wählen Sie aus dem Hauptmenu **Setup – Advanced Setup – Digital Output** (Setup – erweiterter Setup – digitale Ausgabe)

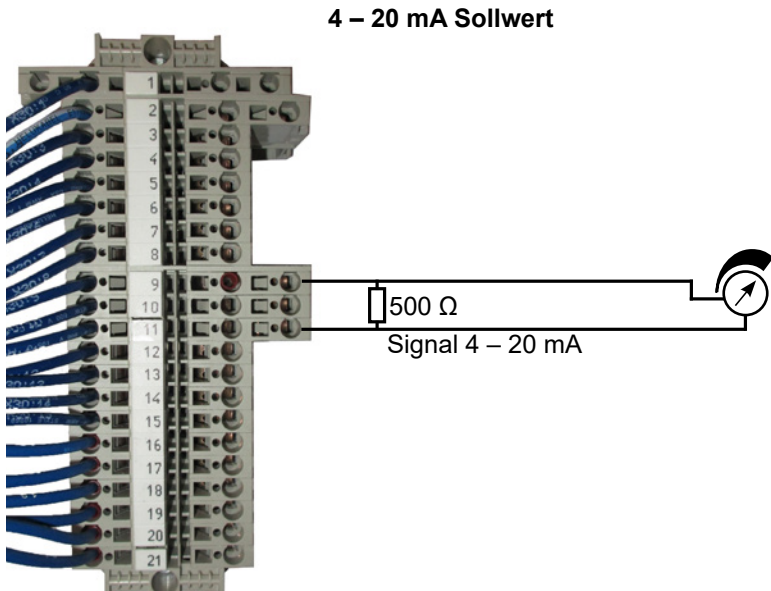
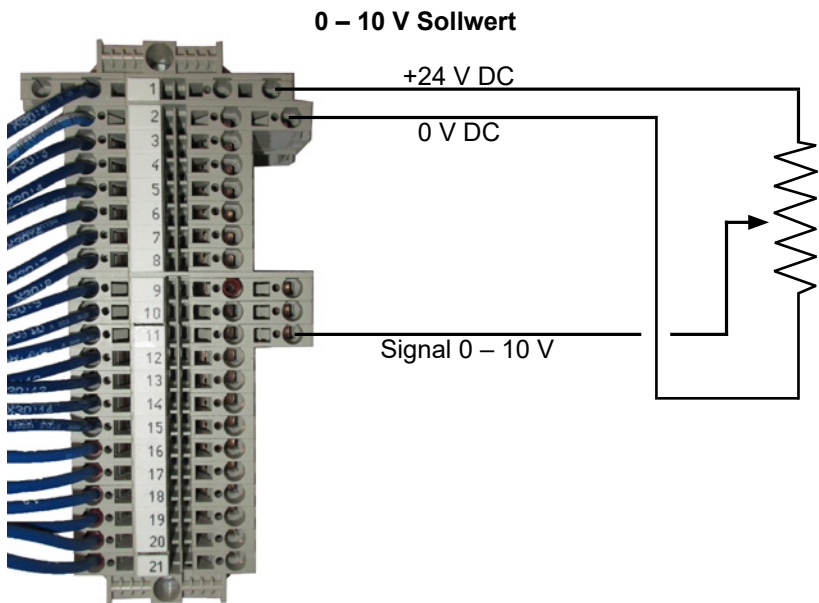


- Aus Folgendem kann gewählt werden:
1. Nicht verwendet
  2. Bereit
  3. Warnung
  4. Fehler
  5. In Betrieb
  6. Starte Motor 1
  7. Starte Motor 2
  8. Starte Motor 3
  9. Sollwert kann nicht erreicht werden

Zusätzlich können Sie den entsprechenden Schaltplan ansehen – wählen Sie **Wire diagram** (Schaltplan).

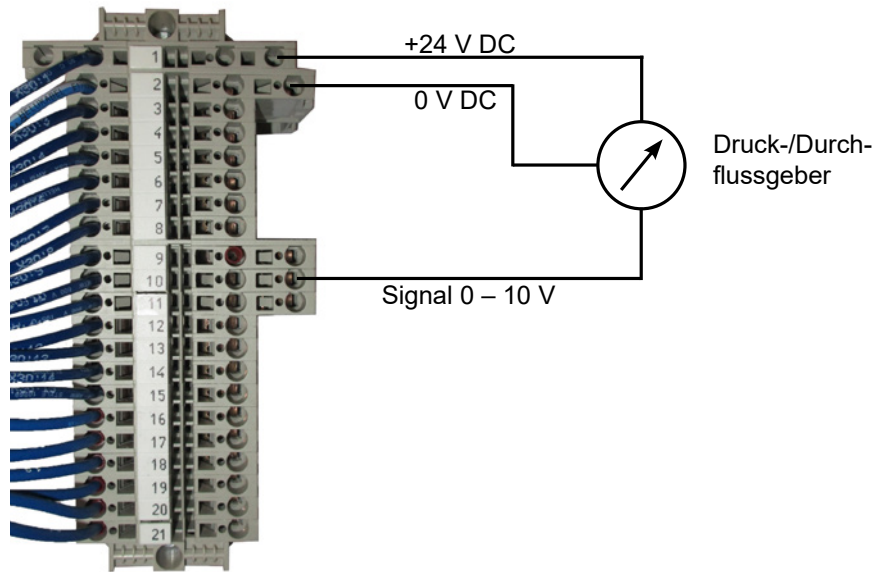
In der Spalte **Status** wird angezeigt (in grün), ob die Steuereinheit die Ausgabe verzeichnet hat.

Nachfolgend sehen Sie Beispiele für Schaltpläne:

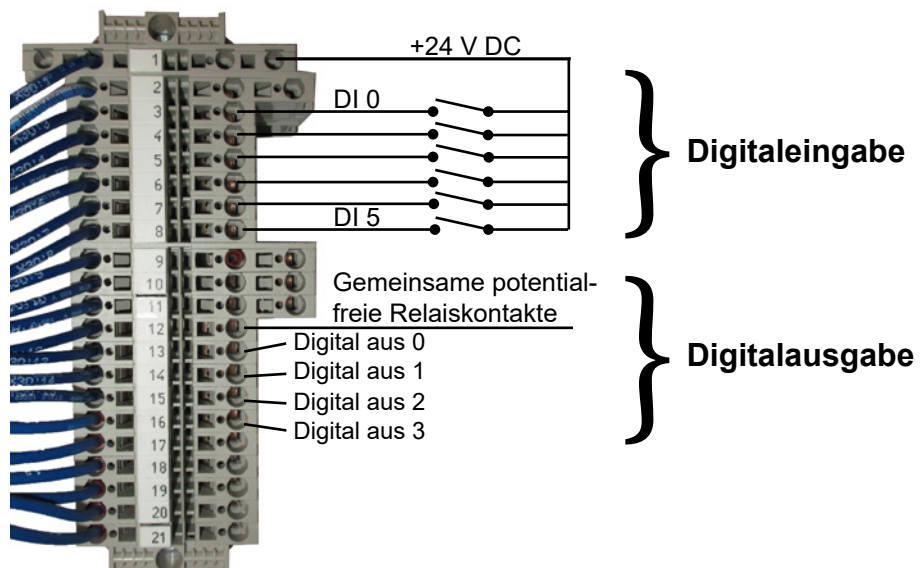
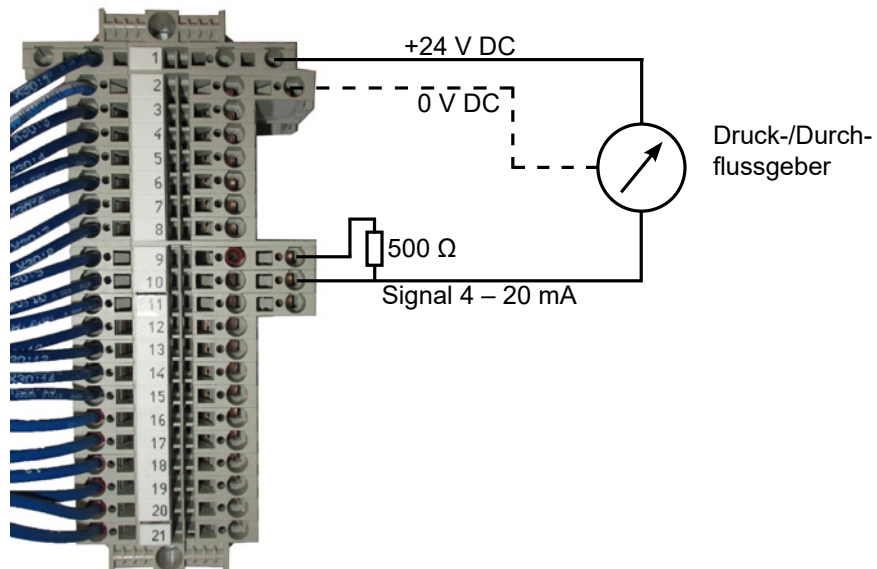


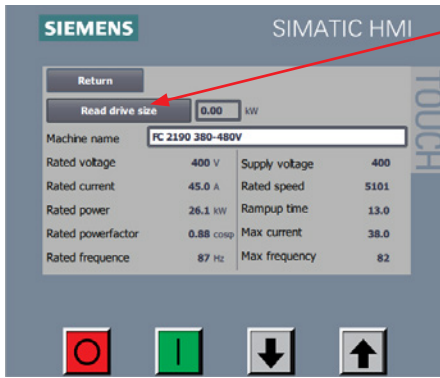


**0 – 10 V feedback**



**4 – 20 mA feedback**



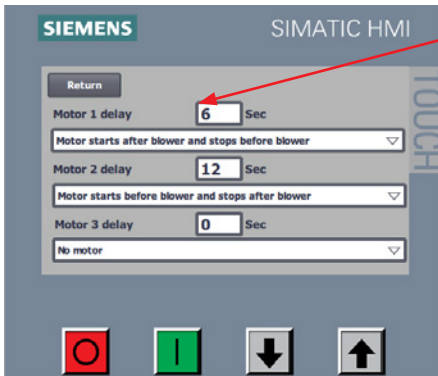


Wird der AC-Antrieb ersetzt, werden die neuen Daten unter **Motor-Data – Read Drive Size – Transfer to Drive** (Motordaten – lese Antriebsgröße – übertrage auf Antrieb) eingelesen. Lässt sich die Motorgröße nicht auslesen, wurde der AC-Antrieb nicht für die Kommunikation über USS bus konfiguriert.

### Steuerung externer Motoren

Falls Sie externes Equipment (z.B. einen Cutter) starten oder stoppen müssen, bevor das Gebläse gestartet oder gestoppt wird, kann es zu einer zeitlichen Verzögerung kommen.

Die digitalen Ausgänge der Gebläse-Steuerung ermöglichen die Steuerung von bis zu 3 externen Motoren.



Die Verzögerung (in Sek.) wird eingegeben, darunter wird bestimmt, ob der externe Motor starten/stoppen soll, bevor/nachdem das Gebläse startet/stoppt.

### Konfiguration der Verzögerung bei Start/Stop

		Verzögerung (x Sek.)		Verzögerung (x Sek.)	
Start / Stopp Gebläse					
Motor startet nach dem Gebläse und stoppt vor dem Gebläse					
Motor startet vor dem Gebläse und stoppt nach dem Gebläse					
	Verzögerung (x Sek.)				Verzögerung (x Sek.)

## Betrieb:

Mit Hilfe des Bedienpanels (und eventuell einer externen Anlagensteuerung) lässt sich die Gebläsedrehzahl stufenlos regeln. So ist es möglich, die Leistung des MultiAir Gebläses präzise auf das betreffende System auszurichten.

Diese Justierung kann entweder manuell, oder automatisch – d.h. über Durchfluss-/Druckgeber (Zubehör) erfolgen.

Zwecks Energieeinsparung ist es wichtig, keine höheren Geschwindigkeiten zu fahren, als es für die jeweilige Aufgabenlösung erforderlich ist. Zudem kann ein Betrieb des Gebläses mit überhöhter Geschwindigkeit/Leistung das Fördergut beschädigen.

Nach Konfiguration und Anlauf des Gebläses werden die Einstellungen in der Steuereinheit gespeichert – auch nach Trennung von der Stromzufuhr. Während des Betriebs wird der aktuelle Wert permanent angezeigt.

Wird der Sollwert verändert, passt das Gebläse die Leistung automatisch an (vorausgesetzt, es ist dazu in der Lage).

**Start des Gebläses:** Drücken Sie den grünen Start-Knopf (2). Ist das Gebläse in Betrieb, zeigt die Status-Anzeige "Running" (in Betrieb) an.

**Stopp des Gebläses:** Drücken Sie den roten Stopp-Schalter (1). Wird das Gebläse gestoppt, erscheint "Stopped" (gestoppt) in der Status-Anzeige.

**Steigerung der Gebläseleistung (Drehzahl):** Drücken Sie den Pfeil-Aufwärts-Schalter (3). Für einen höheren Anpassungsgrad kann der Knopf länger gehalten werden.

**Verringerung der Gebläseleistung (Drehzahl):** Drücken Sie den Pfeil-Abwärts-Schalter (4). Für einen höheren Anpassungsgrad kann der Knopf länger gehalten werden.

Start und Stopp des Gebläses sollten im Normalbetrieb über das Bedienpanel oder über die Digitaleingänge ausgeführt werden. Schaltet man den Hauptschalter aus und innerhalb von ½ - 1 Minute danach direkt wieder ein, ist eventuell ein Fehler durch drücken von "Ack Fault" zurückzusetzen, wonach das Gebläse wieder normal arbeitet. Das Gebläse sollte daher nicht mittels des Hauptschalters angehalten werden, sondern mittels der Stopptaste auf dem Bedienpanel.

Lässt sich der gewünschte Sollwert nicht erzielen, ist eventuell die Leistungsgrenze erreicht. Am Bedienpanel wird "Unable to reach setpoint" (Sollwert kann nicht erreicht werden) angezeigt.

## Service und Wartung:

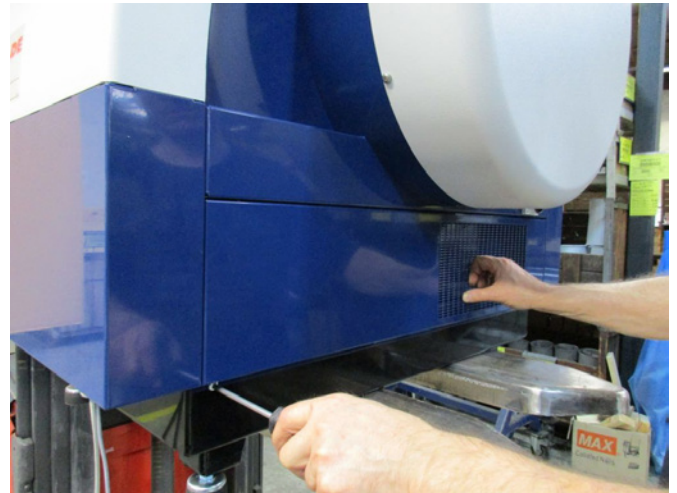
Sämtliche Service- und Wartungsarbeiten sowie Reparaturen sind von Fachkräften oder qualifiziertem Personal durchzuführen.

Die Motorlager sind ab Werk geschmiert; eine zusätzliche Schmierung ist nicht erforderlich. Der Gebläse-Rotor ist direkt auf der Motorwelle montiert; im Gebläse selbst finden sich daher keine Lager.

Sorgen Sie dafür, dass stets ein Kühlluftstrom ungehindert zum Gebläse fließen kann. Das Gebläse verfügt über ein Filter, das sich im Ansaug-Panel unterhalb des Motors befindet. Dieses Filter ist nach Bedarf zu reinigen oder zu ersetzen. Zudem kann eine Reinigung des Gitters am Ansaugkanal erforderlich sein – insbesondere, wenn das Gebläse im Freien aufgestellt ist.

### Das Filter lässt sich wie folgt überprüfen:

1 - Die 4 Stück M6 Schrauben werden entfernt, das Panel wird abgenommen und zur Seite gestellt.



2 - Die Filterkassette wird vom Ansaug-Panel abgezogen, und das Filter wird entfernt. Nach Bedarf kann das Filter mittels Druckluft oder Wasser gereinigt werden. Wird Wasser verwendet, muss das Filter vor Wiedereinsetzen vollständig getrocknet sein. Ist das Filter sehr verschmutzt oder verstopft, sollte man es ersetzen. Achten Sie darauf, das Filter beim Wiedereinsetzen ordnungsgemäß einzupassen. Die Filterkassette wird auf ihren Platz gedrückt, das Ansaug-Panel wird zurück-, und die 4 Schrauben werden wiedereingesetzt.



Einmal im Jahr sollten folgende Wartungsarbeiten durchgeführt werden:

- Sichtkontrolle aller Rohrverbindungen, Abdeckungen und elektrischen Anschlüsse/Leitungen hinsichtlich ihrer Befestigung und Dichtheit.
- Prüfen Sie, ob alle elektrischen Anschlüsse ordnungsgemäß befestigt sind.
- Prüfen Sie, ob beide Kühlgebläse des AC-Antriebs mit voller Geschwindigkeit laufen, und entfernen Sie gegebenenfalls sämtliche Staubablagerungen von den Rotoren.

Der AC-Antrieb verfügt über 2 Kühlgebläse, die in Betrieb gehen, sobald der Hauptschalter des Gebläses betätigt wird. Die erwartete Lebensdauer dieser Geblä-

se liegt zwischen 4 – 6 Jahren im Dauerbetrieb; danach wird sich ihre Drehzahl verringern, bevor sie schließlich aussetzen (s. Abschnitt "Fehlerbehebung"). Um die ausreichende Kühlung des AC-Antriebs zu gewährleisten, sollten die Lüfter ersetzt werden, bevor sich ihre Leistung entscheidend verringert.

Das MultiAir Gebläse sollte in trockener, nicht-korrosiver Atmosphäre bei Temperaturen zwischen -20 und +55°C aufgestellt werden.

**Wichtig:** War der AC-Antrieb für mehr als 12 Monate ohne Spannungsversorgung, ist Kongskilde vor Wiederanschluss zu kontaktieren. Andernfalls können die Kondensatoren des AC-Antriebs beim Anlaufvorgang beschädigt werden.

## Fehlerbehebung:

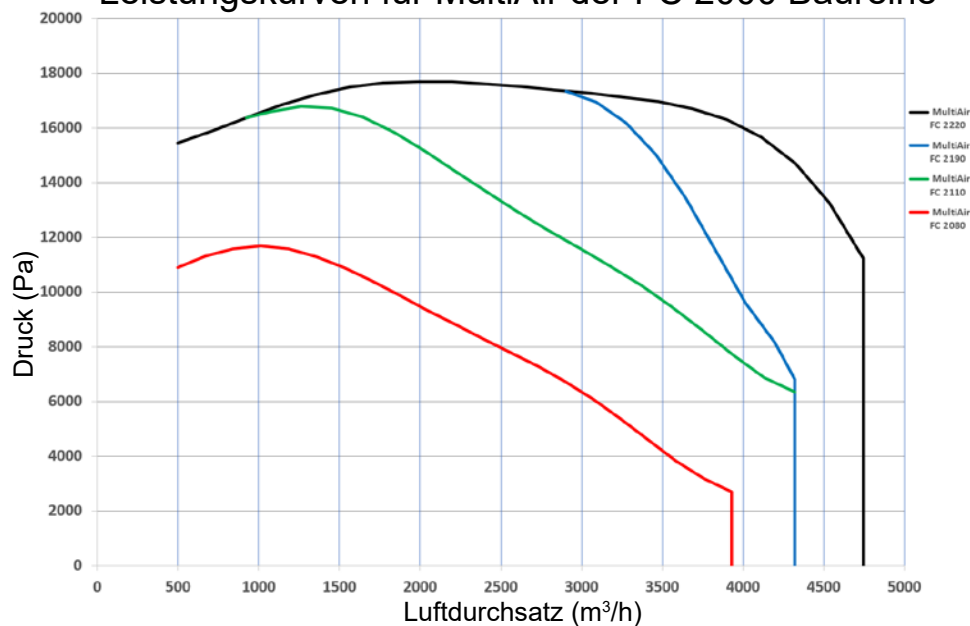
Fehler	Ursache	Behebung
Kein Strom am Bedienpanel	Fehlende Hauptstromzufuhr, oder Hauptschalter ausgeschaltet.  Schutzschalter am Gebläse AC-Antrieb unterbrochen	Prüfen Sie, ob die Hauptstromzufuhr angeschlossen ist, und ob der Hauptschalter an der Seitenwand des Gebläses eingeschaltet ist.  Schließen Sie den Schutzschalter wieder an (s. Abschnitt "Elektromontage")
Das Gebläse startet nicht, wenn der Start-Knopf gedrückt wird	Das Gebläse wurde mittels Hauptschalter aus- und zu schnell wieder eingeschaltet.  Am Bedienpanel wurde "Remote" gewählt.  <b>Operator</b> hat keinen Zugriff auf den Betrieb des Gebläses.  Digitales Eingabesignal externer Stopp NC nicht gewählt und / oder nicht entsprechend an Klemme X30 angeschlossen.  Der AC-Antrieb des Gebläses ist wegen Überspannung, verursacht durch lose Verdrahtung, oder durch über den Boden oder das Rohrsystem übertragene Vibrationen, beschädigt	Setzen Sie den Fehler mittels "Ack Fault" am Bedienpanel zurück.  Loggen Sie sich als <b>Tech</b> oder <b>Admin</b> ein, und wechseln Sie zu "Lokal" (falls erforderlich).  Loggen Sie sich als <b>Tech</b> oder Admin ein, und stellen Sie den für den <b>Operator</b> korrekten Zugriff ein (falls erforderlich).  Schließen Sie Stopp an Klemme X30 an, oder prüfen Sie den Anschluss. Wählen Sie an der Steuerkonsole den korrekten Digitaleingang.  Tauschen Sie den AC-Antrieb aus und ziehen Sie die Kabelverbindungen fest an. Prüfen Sie, ob es zu Vibrationen kommt und schaffen sie ggfs. gemäß Abschnitt "Montage" Abhilfe

<p>Das Gebläse hält nicht an, wenn der Stopp-Schalter gedrückt wird</p>	<p>Am Bedienpanel wurde "Remote" gewählt.</p> <p><b>Operator</b> hat keinen Zugriff auf den Betrieb des Gebläses</p>	<p>Loggen Sie sich als <b>Tech</b> oder <b>Admin</b> ein, und wechseln Sie zu "Lokal" (falls erforderlich).</p> <p>Loggen Sie sich als <b>Tech</b> oder <b>Admin</b> ein, und stellen Sie den für den <b>Operator</b> korrekten Zugriff ein (falls erforderlich)</p>
<p>Das Gebläse startet oder stoppt nicht bei Bedienung über digitale Eingabe</p>	<p>Am Bedienpanel wurde "Lokal" gewählt.</p> <p>Die digitale Eingabe "External Stop NC" wurde nicht korrekt konfiguriert</p>	<p>Loggen Sie sich als <b>Tech</b> oder <b>Admin</b> ein, und wechseln Sie zu "Remote" (falls erforderlich).</p> <p>Vergewissern Sie sich, dass der Stromkreis geschlossen ist</p>
<p>Das Gebläse reagiert nicht auf die "↓" und "↑" Schalter am Bedienpanel</p>	<p>Am Bedienpanel wurde "Remote" gewählt.</p> <p><b>Operator</b> hat keinen Zugriff auf den Betrieb des Gebläses</p>	<p>Loggen Sie sich als <b>Tech</b> oder <b>Admin</b> ein, und wechseln Sie zu "Lokal" (falls erforderlich).</p> <p>Loggen Sie sich als <b>Tech</b> oder <b>Admin</b> ein, und stellen Sie den für den <b>Operator</b> korrekten Zugriff ein (falls erforderlich)</p>
<p>Das Bedienpanel zeigt keine Daten an</p>	<p>Fehlende Verbindung zwischen dem AC-Antrieb und dem Panel (über die Profinet-Verbindung), im Status-Menu wird "USS com fault" angezeigt.</p> <p>AC-Antrieb defekt.</p> <p>Fehlende Stromzufuhr zum Bedienpanel</p>	<p>Schließen Sie das Ethernet-Kabel wieder an, oder ersetzen Sie es.</p> <p>Prüfen Sie, ob das Display des AC-Antriebs leuchtet. Tauschen Sie den AC-Antrieb aus.</p> <p>Stellen Sie den 24VDC Anschluss wieder her</p>
<p>Das Gebläse stoppt unvorhergesehen</p>	<p>Der Gebläse-Motor ist überhitzt und wurde vom PTC-Sensor im Motor abgeschaltet</p>	<p>Lassen Sie den Motor abkühlen und prüfen Sie anschließend die Ursache für die Überhitzung</p>
<p>Unregelmäßige Einstellung der Gebläseleistung</p>	<p>Druck- oder Durchflussgeber sind nicht korrekt in der Rohrleitung installiert, und / oder nicht korrekt am Gebläse angeschlossen.</p> <p>Der AC-Antrieb des Gebläses hat die max. zulässige Temperatur erreicht, im <b>Status</b>-Menu wird "Inverter overtemperature" (Über-temperatur Frequenzumrichter) angezeigt</p>	<p>Prüfen Sie, ob der Druck- oder Durchflussgeber korrekt in der Rohrleitung installiert (Luftstrom in Pfeilrichtung), und ordnungsgemäß an das Gebläse angeschlossen ist.</p> <p>Reinigen Sie den Luftfilter an der Ansaugseite.</p> <p>Überprüfen Sie die Kühlgebläse am AC-Antrieb.</p> <p>Falls möglich, senken Sie die Umgebungstemperatur.</p> <p>Falls möglich, reduzieren Sie den Kapazitätsbedarf</p>
<p>Das Gebläse kann den gewünschten Sollwert nicht erreichen, und im Bedienfeld wird "Sollwert kann nicht erreicht werden" angezeigt</p>	<p>Die Leistung des Gebläses ist für das System und den Sollwert zu niedrig</p>	<p>Stellen Sie den Sollwert auf max. erreichbare Leistung.</p> <p>Passen Sie das System so an, dass das Gebläse die erforderliche Leistung erbringen kann.</p> <p>Wählen Sie ein Gebläse mit höherer Leistung</p>

Schwache Gebläseleistung	Der AC-Antrieb des Gebläses hat die max. zulässige Temperatur erreicht, im <b>Status</b> -Menu wird "Inverter overtemperature" (Über-temperatur Frequenzumrichter) angezeigt	Reinigen Sie den Luftfilter an der Ansaugseite. Überprüfen Sie die Kühlgebläse am AC-Antrieb. Falls möglich, senken Sie die Umgebungstemperatur. Falls möglich, reduzieren Sie den Kapazitätsbedarf
--------------------------	--	--

Im Zweifelsfall kontaktieren Sie bitte einen qualifizierten Servicetechniker, oder den Kongskilde-Kundendienst.

### Leistungskurven für MultiAir der FC 2000 Baureihe



MultiAir type	2080	2110	2190	2220
Nennleistung des Gebläses (kW)	7,5	11	18,5	22
Energieversorgung	380-480V, 50/60Hz			
Sicherungswert (Ampere)	25	40	50	63
Gewicht (kg)	290	331	335	342
Lufterwärmung bei 1.800 m³/h in °C	10	14	20	20
Umgebungstemperatur	-10°C bis 50°C			
Gebläsesteuerung	Regulierung der Gebläseleistung mittels eingebautem AC-Antrieb (VSD)			
Energieeffizienz $\eta_e$	64,2%	64,9%	67,4%	67,2%
Energieeffizienz-Methode und -Typ	B - total			
Effizienzklasse	N 64			
Volumenstrom bei optimaler Energie-Effizienz $Q$ (m³/h)	2.560	3.175	3.275	3.475
Druck bei optimaler Energie-Effizienz $P_t$ (Pa)	7.800	10.950	16.200	16.950
Rotordrehzahl bei voller Leistung (U/min)	4.800	4.800	4.800	4.800
Spezifisches Druckverhältnis zwischen Ein- und Austritt	1,08	1,11	1,16	1,17
MultiAir FC – Merkmale	Gebläseleistung wird manuell am Bedienpanel eingestellt. Optionale Durchfluss- oder Druckregelung kann zur Steuerung der Gebläseleistung eingesetzt werden			
Zulassungen	CE oder UL/CSA			
Schalldruckpegel $L_p$ (1 meter)	≈ 72-76 dB (A) (anwendungsabhängig)			

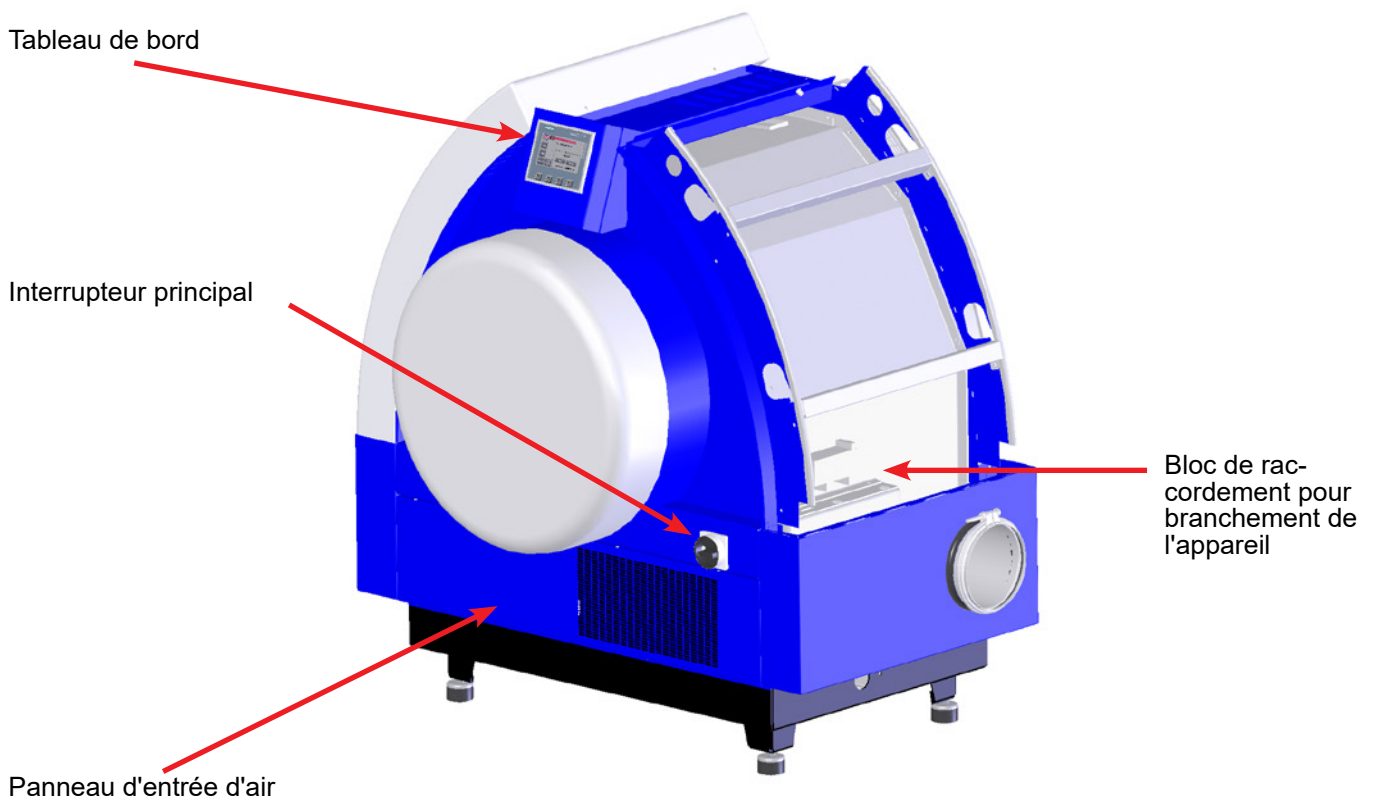
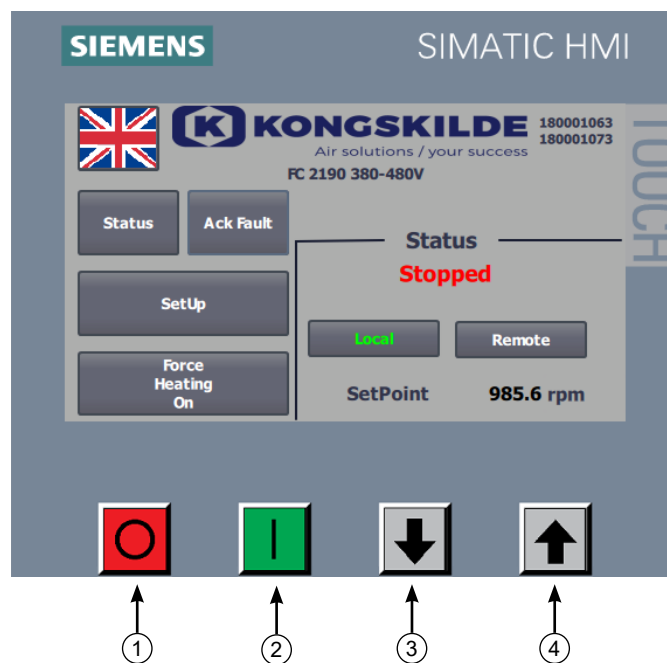


Image 1



1. Arrêt
2. Marche
3. Réglage bas (diminue la performance)
4. Réglage haut (augmente la performance)

Image 2

## FR

Ce manuel utilisateur s'applique au ventilateur Kongskilde MultiAir ventilateur modèle FC 2000.

### Description :

Le ventilateur Kongskilde MultiAir est conçu pour être utilisé avec des systèmes de convoyage pneumatiques, mais est adapté à d'autres solutions pneumatiques industrielles.

Aucun matériau ne doit transiter par le ventilateur MultiAir. L'air contenant des particules corrosives, adhésives ou poussiéreuses ne doit pas traverser le ventilateur MultiAir. Dans le cas des modèles S, la température d'entrée d'air ne doit pas dépasser 70°C. Pour les modèles T la température d'entrée (température ambiante) ne doit pas dépasser 50°C au niveau de l'entrée du ventilateur.

### Mise en garde :

Assurez-vous que toutes les protections sont en place et bien fixées lors de l'utilisation.

Débranchez toujours le ventilateur avant une réparation ou un entretien. L'interrupteur principal doit être éteint et bloqué pour éviter tout démarrage intempestif du ventilateur.

Ne placez jamais vos mains devant l'entrée ou la sortie d'air du ventilateur lorsqu'il fonctionne.

Le ventilateur doit être installé dans un endroit accessible pour entretien et réparation.

La zone de travail autour du ventilateur doit être propre et sans obstacle.

Assurez-vous de la présence d'un éclairage adéquat lorsque vous travaillez sur le ventilateur.

Pour éviter tout contact avec la turbine, des tuyaux d'une longueur de 850mm minimum pour un diamètre de 200mm doivent être installés sur l'entrée et la sortie d'air (l'entrée n'existe que sur le ventilateur MultiAir type S).

Ces tuyaux doivent être fixés avec des colliers de serrage de sorte que le démontage nécessite des outils. S'il n'est pas possible d'utiliser des tubes de 850mm; assurez vous que des colliers à vis sont utilisés sur 850mm à partir du ventilateur de sorte que le démontage nécessite des outils. La raison en est que, selon la directive de l'UE 2006/42 / CE (Directive Machines), tout personnel non autorisé ne doit pas pouvoir accéder aux pièces en mouvement. Dans le cas où des colliers rapides seraient utilisés, le personnel non autorisé pourrait démonter les tuyaux et y accéder aux pièces tournantes.

La vitesse du ventilateur est entièrement réglable et contrôlée à partir de Le tableau de bord Afin de ne pas surcharger le rotor et le moteur, la vitesse du ventilateur ne doit pas dépasser la vitesse pour laquelle il a été conçu. Il est interdit de modifier l'équipement électrique pour augmenter la vitesse maximum du ventilateur. Utilisez des protections oculaires lorsque vous travail-

lez près de la sortie d'air du ventilateur. Si le matériau convoyé comporte des particules fines, elles peuvent être expulsées de la sortie du ventilateur et blesser les yeux.

En cas de vibrations ou de bruits anormaux, le ventilateur doit être arrêté immédiatement et une assistance qualifiée doit être appelée.

### Montage :

Le ventilateur MultiAir est livré prêt à l'emploi et il suffit de le brancher au secteur et de brancher les tuyaux sur l'entrée et la sortie du ventilateur.

Si le ventilateur doit être déplacé, un chariot élévateur ou similaire doit être utilisé. Soulever le MultiAir en plaçant les fourches sous son cadre inférieur. Les fourches doivent être assez longues pour soulever les deux côtés du socle.

Le ventilateur est conçu pour pouvoir être installé à l'extérieur, et est conçu pour une température ambiante comprise entre -10°C - 50°C. Si la température dépasse 50°C, la durée de vie du ventilateur pourrait être réduite.

En cas de déplacement du ventilateur, utilisez un chariot élévateur ou un équipement du même type qui soulève le ventilateur par le dessous de la base. Les fourches doivent être assez longues pour soulever le ventilateur.

Assurez-vous qu'il y a suffisamment d'ouvertures dans la pièce pour fournir de l'air au ventilateur.

Assurez-vous que le ventilateur est installé pour un accès facile, tant pour la maintenance que pour son utilisation.

Le ventilateur doit être installé sur une surface stable, plane et horizontale. Ajustez les pieds situés sous le ventilateur de telle façon qu'ils portent uniformément sur la surface. Il n'est pas nécessaire de fixer le ventilateur au sol.

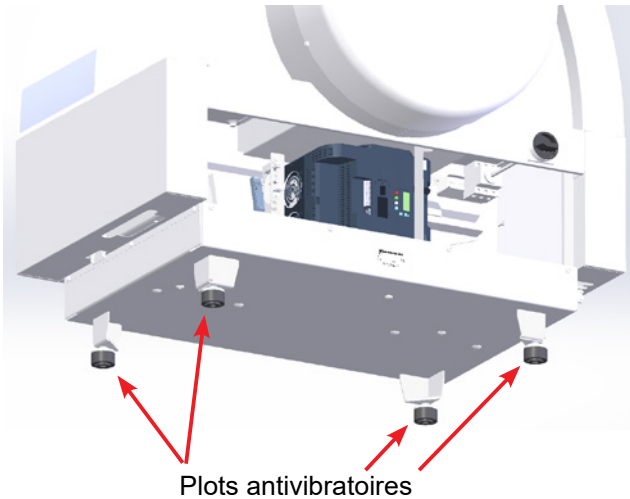
Assurez-vous qu'il y a suffisamment d'air frais dans la pièce où le ventilateur est installé. L'alimentation en air libre doit également être assurée autour du ventilateur. Dans le cas où le ventilateur est installé à l'extérieur, il doit être protégé contre l'accumulation de neige autour du filtre et à l'admission (s'applique uniquement aux modèles T). De même, le ventilateur doit être couvert contre la lumière directe du soleil dans environnements chauds pour éviter la surchauffe du variateur de fréquence.

NOTE – Si le ventilateur est susceptible d'être exposé à des vibrations provenant du sol ou de la tuyauterie, il y a un risque que le système de contrôle se détériore. Une attention spéciale doit donc y être accordée:

**Il est important que le ventilateur soit posé sur une surface sans vibration et qu'aucune vibration ne soit transmise par le réseau de tuyauterie.**



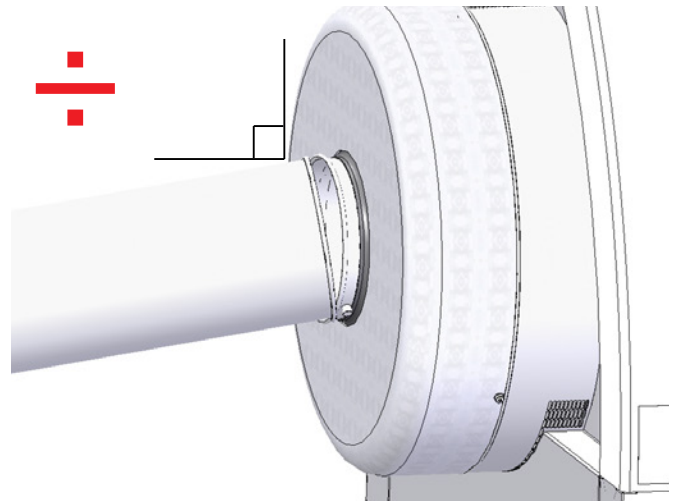
Si le ventilateur est susceptible d'être exposé à des vibrations provenant du sol, un type différent de plots antivibratoires peuvent être montés sur le ventilateur à la place des plots standards. Ces plots antivibratoires absorbent les oscillations sur une plage de 0 - 10Hz et sont conçus pour éliminer les vibrations extérieures. Ces plots antivibratoires peuvent être commandés sous la référence 123 022 036. Le pack comprend 4 plots mais aussi des transitions souples Ø160 et Ø200, voir ci-dessous.



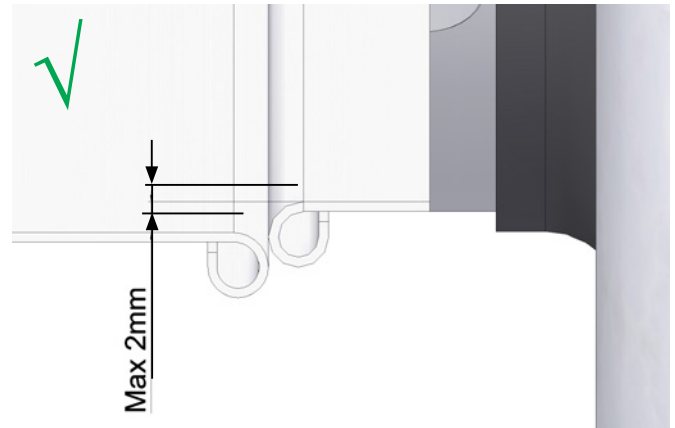
Si le ventilateur est susceptible d'être exposé à des vibrations provenant de la tuyauterie, il y a aussi un risque que le système de contrôle se détériore. Ces vibrations peuvent se propager à travers l'enveloppe du ventilateur jusqu'à l'unité de contrôle. Les transitions souples doivent alors être montées. Kongskilde peut fournir des transitions Ø160 colliers compris, sous la référence 122 000 026 (pour le refoulement du ventilateur).



Il est important que le système de tuyauteries soit supporté ou suspendu correctement. De plus la tuyauterie doit être supportée au plus près du ventilateur, et ne doit pas lui transmettre ni faire subir de contrainte. Si la tuyauterie n'est pas supportée correctement, ou si la moindre contrainte est transférée, alors il y a un grand risque que le système de contrôle du ventilateur soit détérioré !

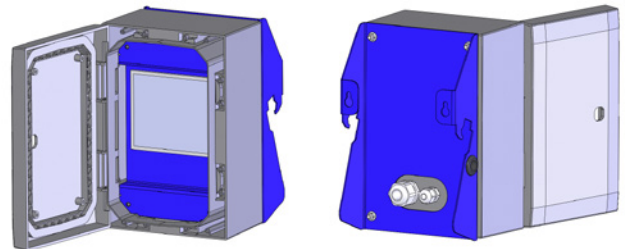


Les tuyaux sur l'entrée et la sortie du ventilateur doivent être ajustés de telle sorte que leurs extrémités soient alignées et concentrique avec un écart max de 2 mm avant de monter le collier d'assemblage à vis.



Le panneau opérateur doit être installé à l'intérieur ou être protégé de l'eau ou des rayons ultra-violet, sinon la pluie et le soleil peuvent l'endommager.

Kongskilde propose un boîtier de panneau opérateur pour installation extérieure sous la réf : 123 022 262.

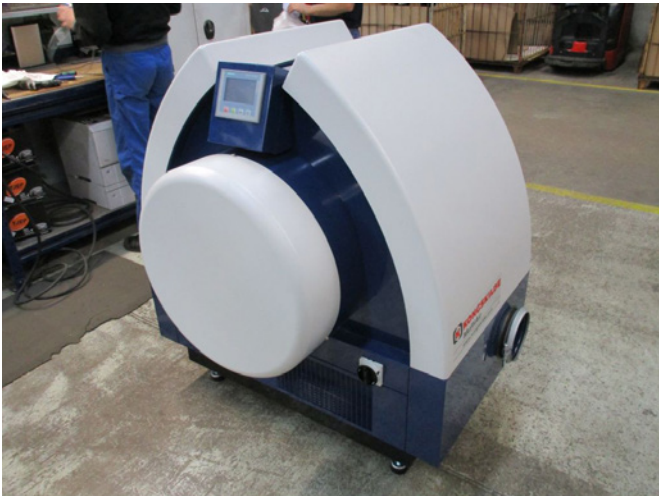


Le panneau opérateur est livré avec le ventilateur et peut être aussi bien accroché sur le ventilateur (voir photo ci-dessous), ou monté ailleurs. Le panneau est équipé de 10m de câble, mais peut être remplacé par un câble de longueur de 150m maximum. Kongskilde peut fournir des sets "extension de câble" respectivement de 50m, 100m et 150m, tous contenant un câble de données et d'alimentation 24V, et tous étant approuvés pour un usage extérieur.

Référence	Désignation
123 022 311	50 mètres extension câble (data + 24V)
123 022 312	100 mètres extension câble (data + 24V)
123 022 326	150 mètres extension câble (data + 24V)

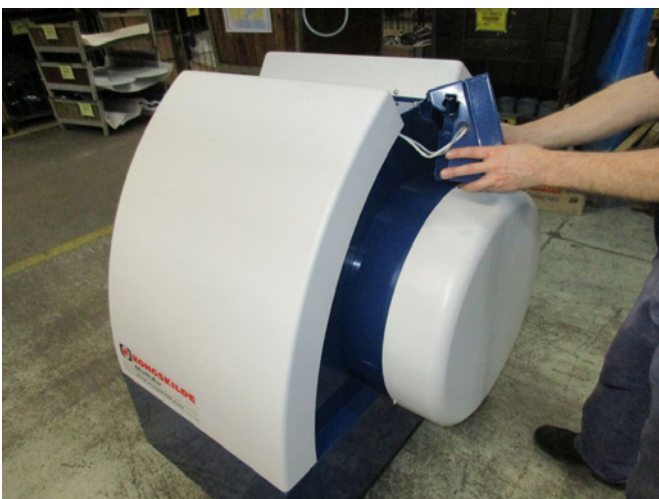
Utilisez un câble de données CAT6 et un câble d'alimentation 24V standards pour une installation extérieure si nécessaire. Utilisez des embouts de câbles pour le 24V, et ne pas rallonger les câbles car les raccords peuvent nuire à la fiabilité.

Le panneau opérateur est inclus, connecté et accroché au ventilateur à la livraison comme montré ci-dessous :

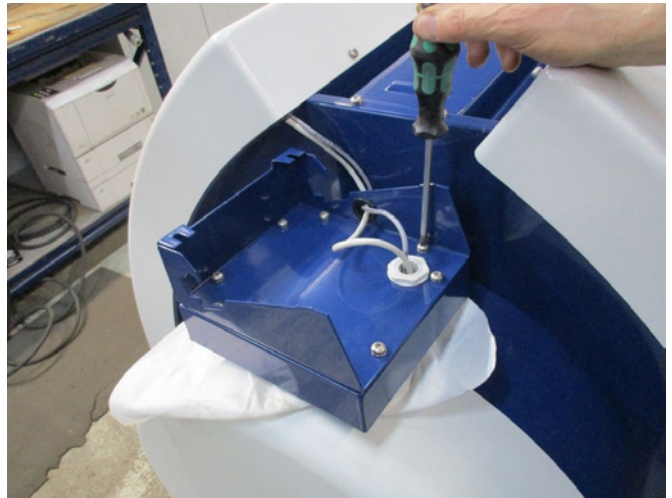


**Le tableau de bord peut être déplacé si nécessaire. La procédure est la suivante :**

1 - Détachez le tableau et posez-le sur le moteur du ventilateur. Placez un tissu ou une protection sous le tableau pour éviter les rayures sur l'écran.



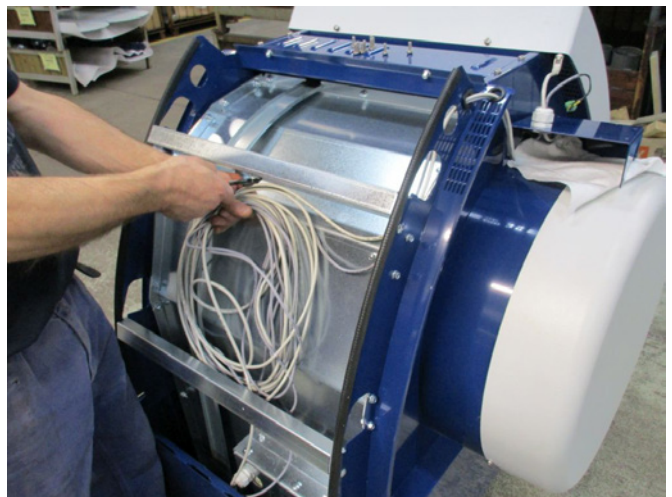
2 - Retirez les 8 vis M6 situées au dos du support du tableau.



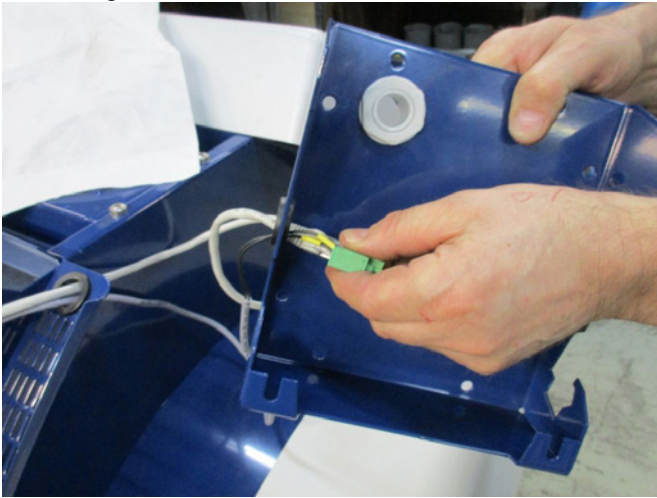
3 - Retournez le tableau, débranchez les deux câbles et mettez le tableau de côté.



4 - Retirez le carter du ventilateur, à gauche du tableau (fixé avec deux vis M6) et coupez l'attache du câble.



5 - Desserrez le presse-étoupe au niveau du support du tableau et tirez les câbles hors du support et des deux trous situés sur le fond du capot, guidés vers le bas et à gauche du ventilateur.



6 - Les deux câbles sont guidés à travers un presse-étoupe M25 (non livré), qui doit être fixée sur le devant ou au dos de la base du ventilateur, en prenant en considération le nouvel emplacement du tableau.



7 - Les câbles sont alors guidés à travers le support du tableau, les câbles sont reliés, le presse-étoupe est serré et les 8 vis sont remises en place. Le tableau peut dorénavant être fixé grâce aux deux fentes situées au dos du tableau. Lors de la livraison, le tableau est équipé d'un câble de 10m qui peut être remplacé par un câble de 100m au maximum, si nécessaire.



### Connexion de l'unité de contrôle de pression ou de débit (accessoire)

Si vous désirez utiliser un régulateur PID pour garder une pression ou un débit constant au ventilateur, un contrôleur de pression ou de débit doit être connecté à l'unité de contrôle du ventilateur.

Kongskilde recommande de n'utiliser que des appareils standards de contrôle de pression ou de débit pour une utilisation automatique.

Que ce soit avec le système de contrôle de pression ou de débit, un transmetteur différentiel de pression est utilisé, ainsi qu'un conduit équipé de prises de pression. Les deux systèmes comprennent également un flexible et des fixations.

**IMPORTANT :** le transmetteur de pression doit être fixé sur un sol stable, à l'abri des vibrations, et non sur le système de tuyauterie ni sur le ventilateur par exemple. De plus, les conduits de prise de pression doivent être montés à au moins une distance de  $20 \times \varnothing$  du tuyau par rapport au ventilateur, autrement le panneau de contrôle n'affichera pas les valeurs correctes de débit et de pression.

Les ensembles de contrôle de pression ou de débit peuvent être commandés sous les numéros suivants:

Référence	Désignation
123 021 049	Unité de contrôle de pression
123 030 248	Unité de contrôle de débit

Lors de la connexion des unités de contrôle de pression ou de débit, les câbles des transmetteurs différentiels doivent être connectés au bornier du terminal du ventilateur comme suit :

1 - Retirez le capot droit du ventilateur (vu du côté du moteur).

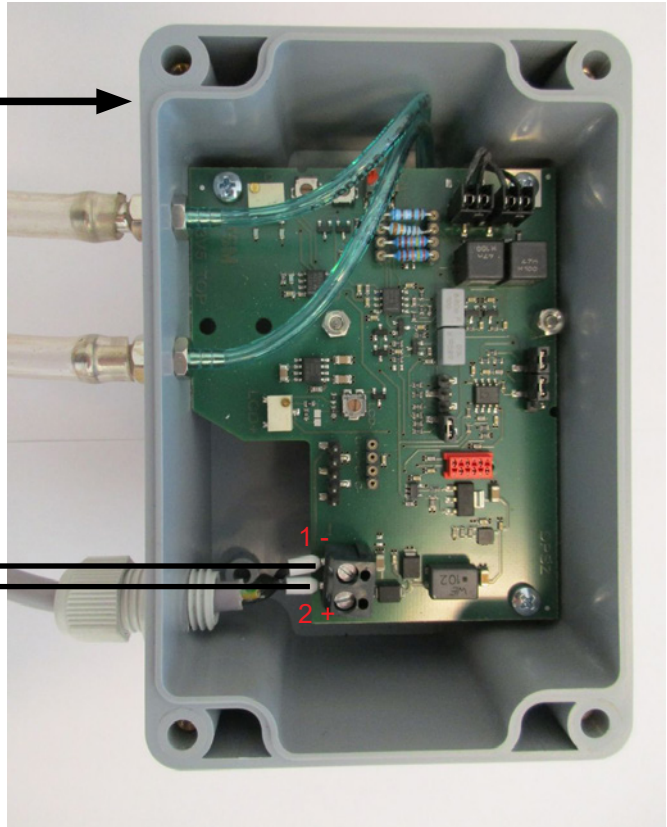
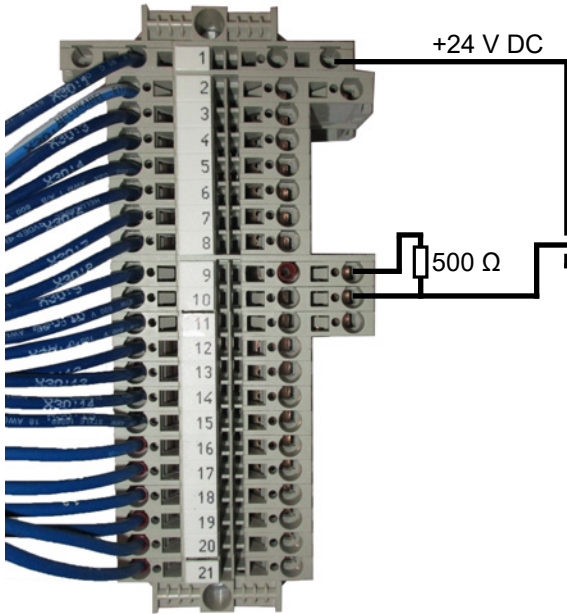
2 - Guidez les câbles du transmetteur différentiel de pression à travers les le presse-étoupe M20 (non fourni), et fixez la le presse-étoupe sur le cadre de la base.



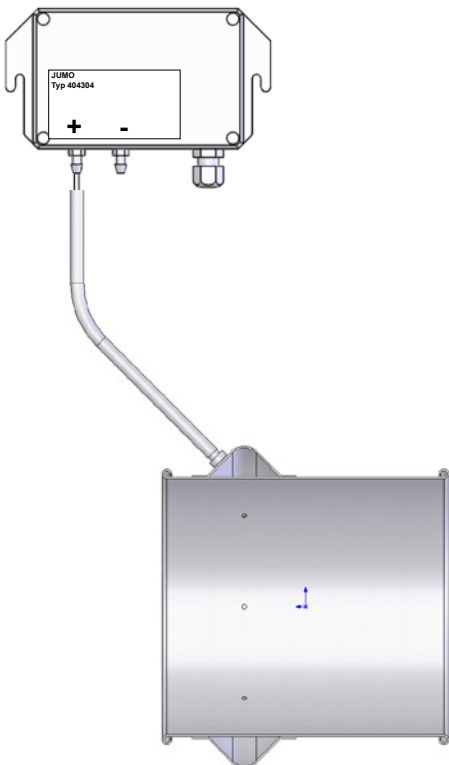
**Connexion de la régulation de la pression/  
dépression ou du débit**

Transmetteur de pression différentielle pour la  
régulation de la pression/dépression ou du débit

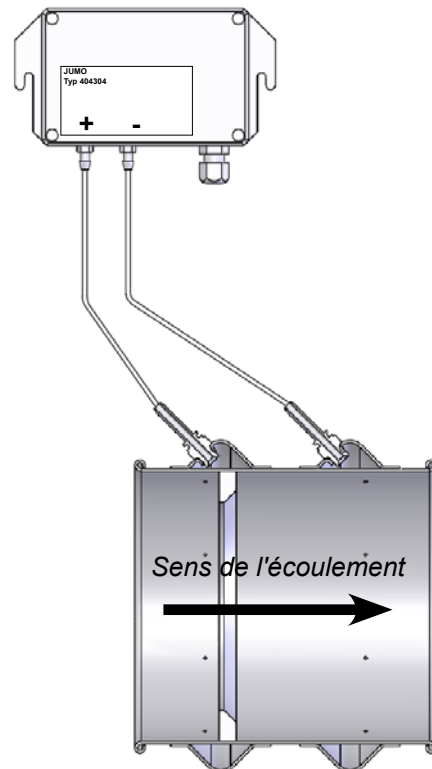
Bornier sur le côté gauche du venti-  
lateur (vu depuis le côté entrée)



**Connexion du flexible entre le trans-  
metteur de pression et la prise de pres-  
sion (pour régulation de la pression)**

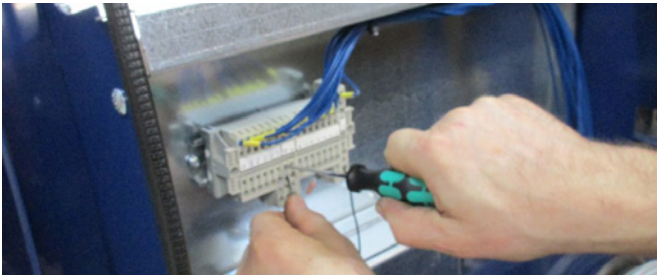


**Connexion du flexible entre le trans-  
metteur de pression et les prises de  
pression (pour régulation du débit)**



3 - Desserrez les terminaux avec un petit tournevis et branchez les câbles selon les indications du dessin:

- Le terminal 1 (+24VDC) au terminal 2 du transmetteur
- Le terminal 10 (signal 4-20mA) au terminal 1 du transmetteur.
- Selon le type de transmetteur utilisé, une connexion entre le terminal 2 (0VDC) et le transmetteur peut devoir être établie si nécessaire (non requis pour les transmetteurs de pression ou de débit Kongskilde basse pression ou faible débit).



4 - Resserrez le presse-étoupe du câble est et replacez le capot du ventilateur.

5 - Montez le transmetteur de pression différentiel sur une surface à l'abri des vibrations.

6 - Retirez le couvercle du transmetteur et fixez les câbles selon le schéma avant de remonter le couvercle.

7 - Les flexibles branchés sur les 2 prises (cas du contrôle de flux) ou sur la prise de pression (cas du contrôle de pression) sont branchés selon le schéma. 4m de flexible sont livrés, qu'il est possible de rallonger. Assurez-vous que le ventilateur est installé de telle façon qu'il ne puisse tomber ou se renverser.

#### Installation des tuyaux :

La performance d'un système de convoyage pneumatique dépend beaucoup de la disposition de la tuyauterie. Il est donc important de suivre le plan conçu pour le système en question. Souvenez-vous que les joints du système doivent être étanches, les fuites réduisant les performances.

Note : Après raccordement du ventilateur au secteur, il peut se passer jusqu'à 30 secondes avant que le tableau de bord ne s'allume.

### Installation électrique :

Le ventilateur MultiAir peut être livré pour des tensions de 380- 480V. Si le ventilateur est alimenté en 200-240V ou 480-575V, un transformateur externe doit être installé entre l'alimentation de puissance et le ventilateur.

Toutes les réglementations locales en matière d'inspection des usines doivent être respectées.

Vérifiez que l'alimentation électrique sur le site est adaptée au ventilateur MultiAir.

Vérifiez également les instructions séparées concernant l'équipement électrique fourni avec le ventilateur. Note : au-dessus du presse-étoupe du câble d'alimentation et de la prise de terre sur la base du ventilateur, se trouvent 6 découpes pour presse-étoupes. Ils peuvent être utilisés pour les câbles de contrôle, les connexions de pression différentielle, les entrées numériques, les connexions de sortie, etc.

Un commutateur Marche/Arrêt et un boîtier de contrôle pour moteur additionnel peuvent être commandés à Kongskilde sous les références suivantes :

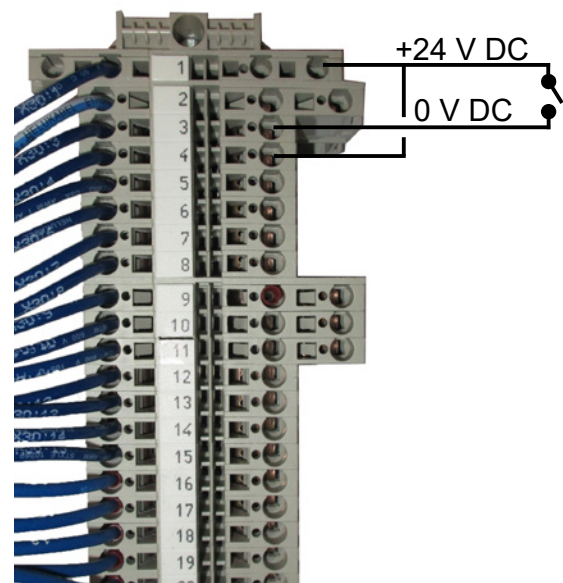
Référence	Désignation
100 503 357	Contact Marche/Arrêt additionnel
100 503 338	Contrôle moteur additionnel 0,55kW (par 400V) 1,3-1,7A
100 503 345	Contrôle moteur additionnel 0,75kW (par 400V) 1,7-2,3A
100 503 341	Contrôle moteur additionnel 1,1kW (par 400V) 2,3-3,1A
100 503 342	Contrôle moteur additionnel 1,5kW (par 400V) 3,1-4,2A
100 503 339	Contrôle moteur additionnel 2,2kW (par 400V) 4,2-5,7A
100 503 343	Contrôle moteur additionnel 3kW (par 400V) 5,7-7,6A
100 503 340	Contrôle moteur additionnel 4kW (par 400V) 7,6-10A

Les commutateurs Marche/Arrêt et les boîtiers de contrôle sont tous spécifiés en 3x200V-600V 50/60Hz.

#### Contact Marche / Arrêt (additionnel)



L'interrupteur externe Marche / Arrêt est connecté au bornier X30 entre le terminal 1 (+ 24 VDC) et le terminal 3 (entrée numérique 0) et une boucle est installée entre le terminal 1 et le terminal 4.



Sur le pupitre de commande tactile:

L'entrée numérique 0 doit être paramétrée sur Signal de démarrage externe - maintien et l'entrée numérique 1 sur Arrêt externe NC.

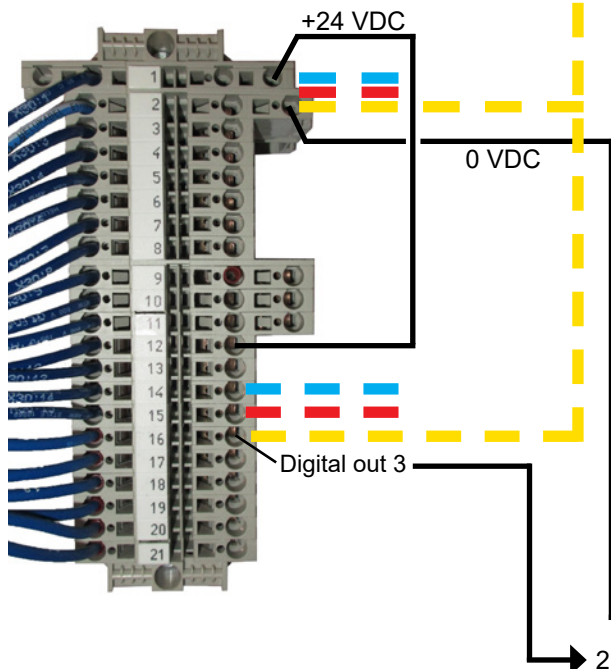
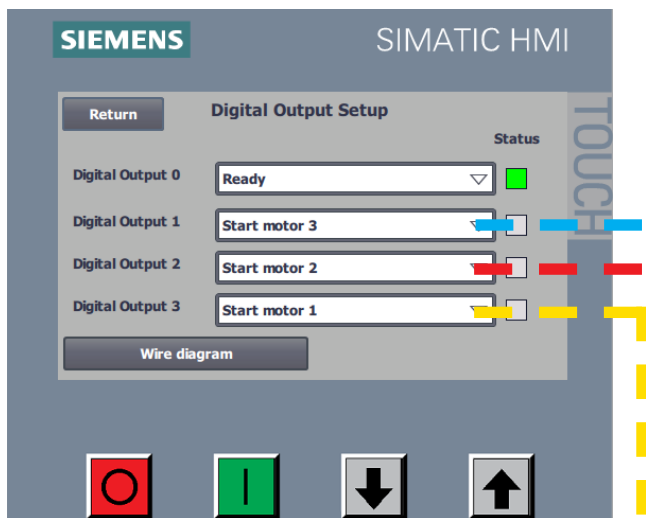
### Commande du moteur (additionnel)

La commande du moteur additionnel externe est connectée au bornier X30 entre le terminal 2 (0 VDC) et le terminal 16 (sortie numérique 3) et une boucle est installée entre le terminal 1 (+24 VDC) et le terminal 12. Des moteurs supplémentaires pourraient être ajoutés aux terminal 15 et 14.

Sur le pupitre de commande tactile:

La sortie numérique 3 doit être paramétrée sur Démarrage moteur 1.

En outre, une temporisation peut être configurée, voir section « Réglage du ventilateur avant la mise en service via le tableau de commande ». (Les lignes pointillées ne montrent que la cohérence et non les connexions de câblage).

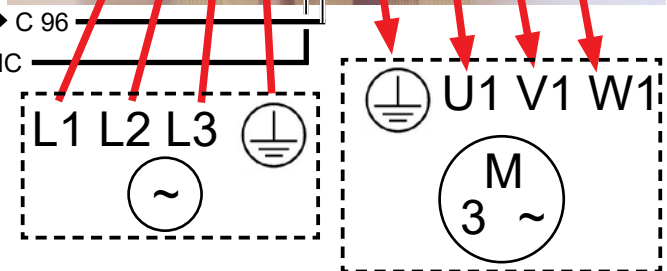
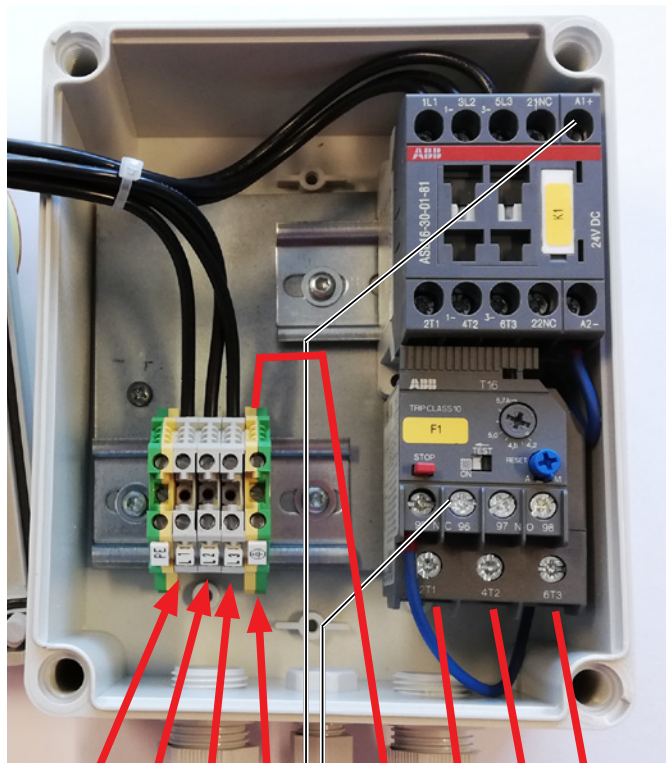


Le courant nominal du moteur externe est réglé sur le potentiomètre du relais thermique. Si le moteur externe est surchargé, le relais thermique se mettra à l'arrêt et devra être reconnecté, une fois le dysfonctionnement analysé. Kongskilde recommande de régler le bouton bleu RESET sur la position M (manuel). Si le bouton est réglé sur la position A (automatique), le relais thermique sera automatiquement reconnecté et il ne sera alors pas possible de surveiller le moment où intervient l'arrêt.



Le bouton TEST est actionné à l'aide d'un tournevis à intervalles réguliers, à savoir tous les six mois. Après mise à l'arrêt, reconnecter avec le bouton bleu RESET. Si le relais ne se déclenche pas, il est défectueux et doit être remplacé.

Le commutateur situé sur le capot de la commande du moteur externe est un interrupteur de sécurité qui doit systématiquement être éteint avant les réparations et la maintenance. L'interrupteur de sécurité doit être verrouillé de sorte que le moteur externe, par exemple sur un massicot, ne puisse pas être démarré accidentellement.



**Important** - Le ventilateur doit être mis à la terre via la borne à droite du presse-étoupe du câble d'alimentation (au niveau du symbole de mise à la terre).

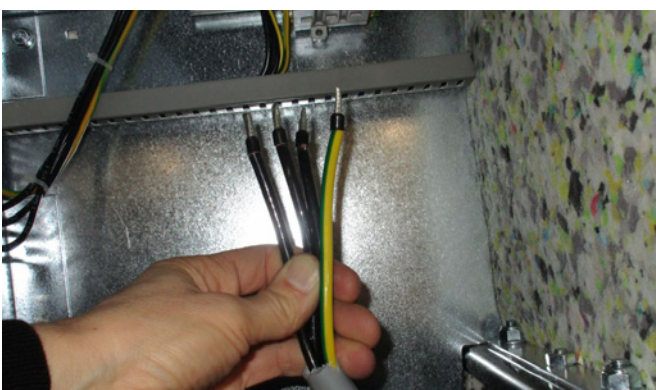
Les câbles d'alimentation et de mise à la terre sont connectés de la façon suivante :



1 - Le panneau d'accès est située sous le moteur du ventilateur, fixée avec 4 vis M6. Retirez les vis et le panneau et mettez-le de côté.



2 - Le câble d'alimentation passe à travers le presse-étoupe du cadre de la base du côté droit du ventilateur (vu du côté moteur). Le câble de mise à la terre est fixé à droite du câble d'alimentation.



3 - Le câble d'alimentation est connecté dans l'interrupteur principal, comme indiqué par le marquage. Des embouts de câble doivent être utilisés. La sûreté du câble doit être fixée à la base du cadre et le panneau d'accès doit être refixé avec les 4 vis.

Un coupe-circuit se trouve entre le PLC et l'alimentation 24V. Il protège le PLC et le tableau de bord. Il est livré

en position ON, mais peut se mettre sur OFF en cas de surcharge.



(Montré ici avec le panneau d'accès retiré)

## Configuration du ventilateur avant utilisation (par Le tableau de bord) :

Après installation et branchement du circuit électrique, le ventilateur peut être configuré selon le mode d'utilisation requis depuis le panneau opérateur.

En cas de problème d'utilisation de l'écran tactile avec le doigt, une gomme située en bout d'un crayon peut être utilisée.

Le menu Setup donne accès aux réglages du ventilateur. L'utilisation et le réglage du ventilateur s'effectue à 3 niveaux de protection :

1. **Opérateur** - ne nécessite aucun mot de passe et peut donc être toute personne ayant accès au ventilateur.

L'opérateur a toujours accès aux fonctions de :

- a) Modification de langue
- b) Visualisation du statut
- c) Remise à zéro des erreurs

Si l'utilisateur **Tech** lui en a donné l'accès, l'opérateur peut également :

- d) Choisir entre le contrôle des paramètres manuel ou à distance.

En mode contrôle local, le ventilateur peut être allumé et éteint en utilisant les boutons 1 et 2 et les paramètres peuvent être réglés avec les boutons 3 et 4.

Si l'opérateur n'est pas autorisé à régler les paramètres, les boutons Local ou A distance n'apparaissent pas.

Si l'utilisateur **Tech** a sélectionné l'accès local, l'opérateur peut allumer et éteindre le ventilateur et régler les paramètres (au niveau de l'écran local), mais il ne peut pas passer en contrôle à distance. Si le mode A distance a été sélectionné, les fonctions Démarrage, Arrêt, Haut et Bas ne peuvent pas être activées au niveau de l'écran.

2. **Tech** - protégé par un mot de passe. L'utilisateur **Tech** définit les droits de réglage du ventilateur par un utilisateur. La mission de l'utilisateur **Tech** est de définir ces droits. Si l'Opérateur ne dispose pas de l'autorisation de régler le point de consigne, c'est le **Tech** qui le fait.

3. **Admin** - protégé par un mot de passe. L'utilisateur **Admin** fixe les modes d'utilisation du ventilateur :

- Contrôle de la vitesse, de la pression ou du débit
- Configuration des entrées et sorties analogiques et numériques

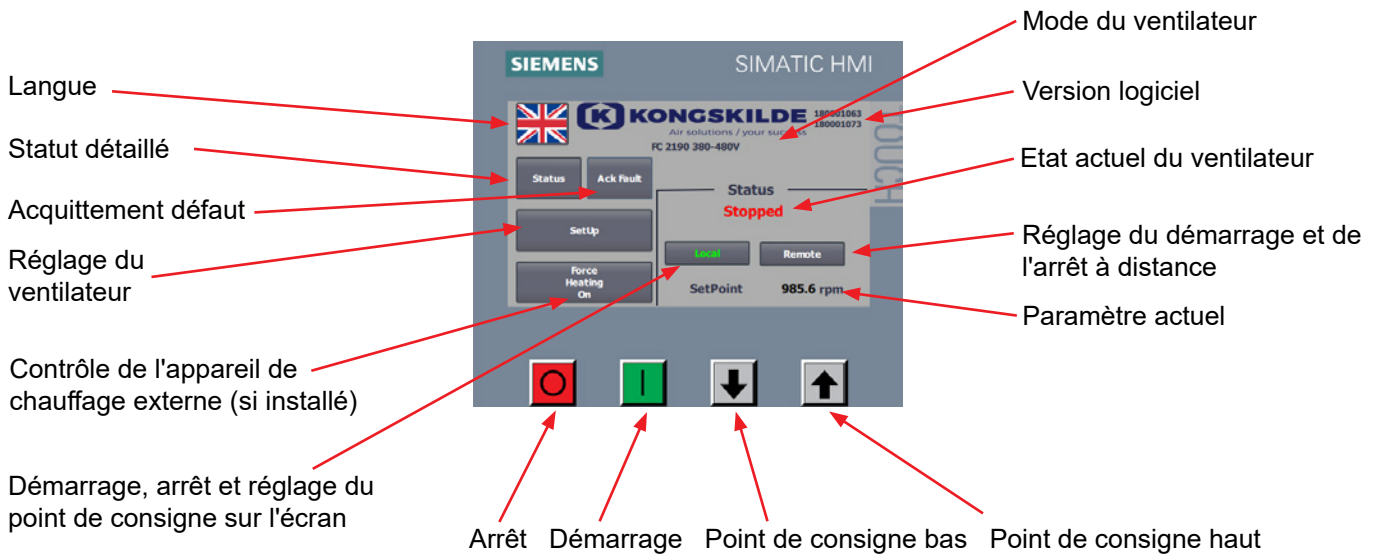
**Admin** ne sera normalement utilisé que lors de la configuration du ventilateur.

Note : Après 5 mn d'inactivité sur le tableau de contrôle, les utilisateurs **Tech** et **Admin** sont déconnectés et devront se reconnecter pour effectuer d'autres réglages.

Accès de l'opérateur aux contrôles du ventilateur (donné par l'utilisateur Tech ou Admin)					
Réglage par Tech			Opérateur		
		Local / A distance	Marche / arrêt	Haut / Bas	Local / A distance
Permet le réglage du point de consigne sur affichage local	Non	Local	√	√	N'apparaît pas
Permet le réglage manuel du point de consigne sur affichage à distance	Non	A distance	⊖	⊖	N'apparaît pas
Permet le réglage du point de consigne sur affichage local	Oui	Local	√	√	√
Permet le réglage manuel du point de consigne sur affichage à distance	Oui	A distance	√	√	√



### AFFICHAGE PRINCIPAL



### Utilisateur Opérateur



Si l'utilisateur **Tech** a donné à l'opérateur la possibilité de basculer entre local et à distance, l'écran principal apparaît comme sur l'image.

L'opérateur peut :

- Démarrer et arrêter le ventilateur
- Régler les paramètres haut et bas
- Basculer entre contrôle local et à distance du ventilateur
- Sélectionner la langue
- Voir les détails du statut
- Acquitter les défauts (remise à zéro)



Si l'utilisateur **Tech** n'a pas donné à l'opérateur la possibilité de basculer entre local et à distance et a sélectionné Local, l'écran principal apparaît comme sur l'image.

L'opérateur peut :

- Arrêter et démarrer le ventilateur
- Régler les paramètres haut et bas
- Sélectionner la langue
- Voir les détails du statut
- Acquitter les défauts (remise à zéro)



Si l'utilisateur **Tech** n'a pas donné à l'opérateur la possibilité de basculer entre local et à distance et a sélectionné A distance, l'écran principal apparaît comme sur l'image.

L'opérateur peut :

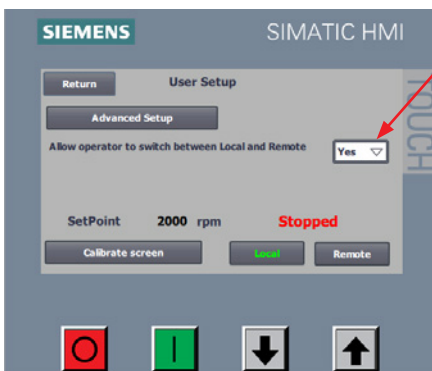
- Sélectionner la langue
- Voir les détails du statut
- Acquitter les défauts (remise à zéro)

### Utilisateur Tech



**Tech** règle les accès de l'opérateur. Lorsqu'il est connecté en tant que **Tech**, il peut décider si l'opérateur aura accès aux réglages du point de consigne.

Sélectionnez **Setup**



L'écran suivant s'affiche et le **Tech** peut autoriser l'opérateur à passer de local à distant en le sélectionnant dans le menu déroulant.

Oui permet à l'opérateur de passer du local au distant.

Non ne permet pas à l'opérateur de passer du local au distant.

Si le ventilateur n'est pas relié à un équipement externe qui peut mettre en marche le ventilateur, l'utilisateur **Tech** doit choisir "No" dans le menu déroulant. En choisissant **Local**, l'opérateur pourra arrêter ou démarrer le ventilateur ou régler du point de consigne. En choisissant **A distance** (Remote), l'opérateur ne pourra pas faire fonctionner le ventilateur. Les réglages manuels du point de consigne sont effectués par l'utilisateur **Tech** dans le menu Setup.

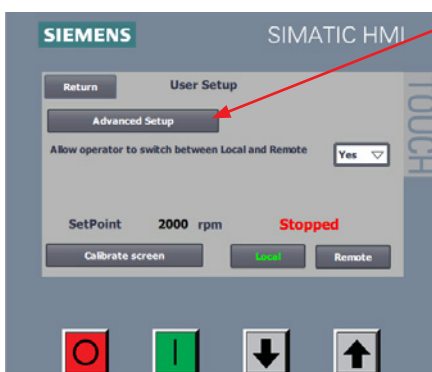
Le menu **Calibrage écran** permet de calibrer l'écran tactile si besoin

### Utilisateur Admin

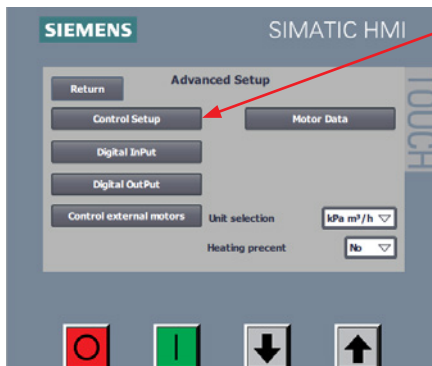
La configuration du ventilateur est contrôlée par l'utilisateur **Admin** dans le menu **Control Setup** et les réglages sont effectués de la façon suivante:  
Connectez-vous en tant qu'**Admin**  
Sélectionnez **Setup**



Sélectionnez **Advanced Setup** (Réglage avancé)



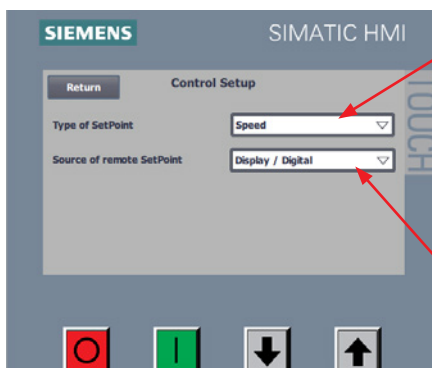
Sélectionnez **Control Setup** (Contrôle des réglages)



Il est maintenant possible de choisir entre 3 modes d'utilisation (3 types de réglages) :

1. *Speed (vitesse)* - contrôle simple du nombre de tr/mn du ventilateur
2. *Pressure (pression)* - Contrôle PID pour une pression statique fixe du ventilateur. La pression est mesurée par un transducteur couplé à l'unité de contrôle du ventilateur.
3. *Flow (débit)* - Contrôle PID pour un débit fixe. Le débit est mesuré par un transducteur couplé à l'unité de contrôle du ventilateur.

Ensuite, l'emplacement du réglage du point de consigne doit être sélectionné. Il est possible de régler le point de consigne à partir de 3 emplacements différents : depuis l'écran du panneau de commande, via les entrées numériques ou via une entrée analogique vers le ventilateur.

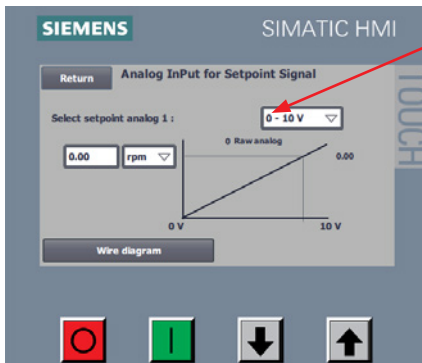


Si le paramètre "Remote" (à distance) est sélectionné, il est possible de choisir entre les options suivantes :

1. Affichage / Numérique
2. Analogique

Si le point de consigne doit être réglé à partir du tableau de contrôle de l'opérateur et/ou depuis une entrée numérique numérique, réglez **Source of Remote Set Point** sur **Display / Digital**. Si les paramètres doivent être réglés à partir de l'entrée analogique, sélectionnez **Analog**.

Si le réglage par vitesse (speed) est sélectionné, la configuration du capteur de retour d'information n'apparaît pas et si le réglage numérique est sélectionné (**Display/digital**), le réglage du point de consigne analogique n'apparaît pas.



Si le paramètre **Setup Analog** (analogique) est sélectionné vous pouvez choisir entre deux types de signaux externes envoyés à l'unité de contrôle du ventilateur :

- 0 - 10 V
- 4 - 20 mA

N'oubliez pas d'installer la résistance sur le bloc de raccordement du ventilateur selon le signal sélectionné. Reportez-vous aux diagrammes à la fin de ce chapitre.

Dans "Box 1" est indiqué ce qui est représenté par le signal analogique. Différentes unités peuvent être sélectionnées ici :

1. **Rpm (Tr/mn)** - utilisation du ventilateur à une vitesse donnée
2. **kPa** - ventilateur réglé pour une pression statique donnée, exprimée en kPa
3. **in WG** - ventilateur réglé pour une pression statique donnée exprimée en pouces de colonne d'eau
4. **m³/h** - ventilateur réglé pour un débit donné exprimé en m³/heure
5. **CFM** - ventilateur réglé pour un débit donné exprimé en pieds cubiques par minute (ft³/m)

"Box 2" indique la valeur physique maximum du signal analogique, illustré ici avec quelques exemples.

Ex. 1 - Les réglages suivants sont sélectionnés : Analogique, 0 - 10 V et unité en Rpm (tr/mn)

Si la valeur 4800 est entrée dans la case 1, cela signifie que lorsque l'entrée analogique 1 est alimentée en 10 V, le contrôle fixera le point de consigne à 4800 tr / min. Si seulement 5 V est fourni à l'entrée analogique 1, le contrôle fixera le point de consigne de 2400 tr / min

Ex. 2 - Les réglages suivants sont sélectionnés : Analogique, 4 - 20 mA et unité en kPa.

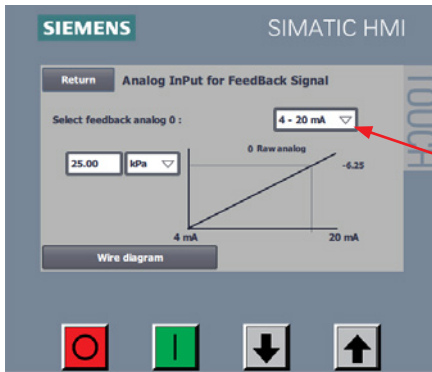
Si la valeur 20 est saisie en "Box 1", ceci veut dire que lorsqu'on l'alimente avec une tension analogique de 20 mA, le contrôle établit le point de consigne à 20 kPa. Avec seulement 4 mA analogiques, le contrôle établira le réglage à 0 kPa.

Ex. 3 - Les réglages suivants sont sélectionnés : Analogique, 4 - 20 mA et unité en CFM.

Si la valeur 3500 est saisie en "Box 1", ceci veut dire que lorsqu'on l'alimente avec une tension analogique de 20 mA, le contrôle établit les paramètres à 3500 CFM. Avec seulement 12 mA analogiques, le contrôle établira le réglage à 1750 CFM.

Il est recommandé d'utiliser l'une des valeurs suivantes si le ventilateur doit tourner au maximum de ses capacités:

- 4800 tr/mn
- 20 kPa
- 6000 m³/h
- 80 in WG
- 3500 CFM



Le signal de retour doit être spécifié dans le cas de contrôle de pression ou de débit, mais un signal de retour pour un contrôle de la vitesse en tr/mn n'est pas nécessaire. Sélectionnez la commande **Setup Feedback Sensor** (réglage du capteur de retour).

Dans **Select Feedback Analog 0** (Sélection de retour analogique), on choisit le type de signal envoyé par le transducteur :

- 0 - 10 V, ou
- 4 - 20 mA (voir le diagramme à la fin du chapitre)

"Box 1" indique l'unité du signal analogique. Vous pouvez choisir entre les unités suivantes :

- kPa
- in WG

"Box 2" indique la valeur physique maximum du signal de retour analogique, ici illustré avec quelques exemples (voir également les exemples de connexion mentionnés plus haut pour les contrôles Kongskilde de pression ou de débit).

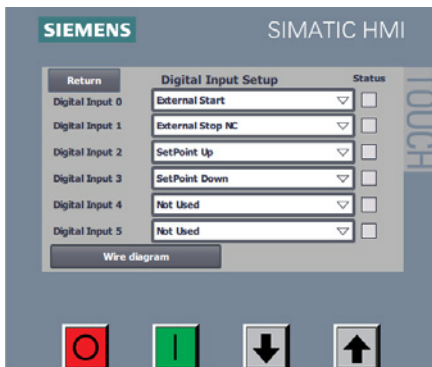
Exemple 1 - Les réglages suivants sont sélectionnés : Analogique 0 : 0 - 10 V et unité en kPa.

Si la valeur 25 est entrée dans la case 2, cela signifie que lorsque l'entrée analogique 0 est alimentée en 10 V, le contrôle enregistre un signal de retour de 25 kPa. Pour seulement 5 V à l'entrée analogique 0, le contrôle enregistre un signal de retour de 12,5 kPa.

Exemple 2 - Les réglages suivants sont sélectionnés : Analogique 0 : 4 - 20 mA et unité en in WG.

Si la valeur 80 est saisie en "Box 2", ceci veut dire que lorsqu'on l'alimente avec une tension analogique de 20mA l'entrée analogique 0, le contrôle établit les paramètres de signal de retour à 80 in WG. Avec seulement 4 mA d'entrée analogique 0, le contrôle se réglera sur 0 in WG.

Dans le cas d'une connexion numérique, les entrées numériques doivent être définies. Dans le menu principal, sélectionnez **Setup - Advanced Setup - Digital Input** (Paramètres - Paramètres avancés - Entrée numérique)



Vous pouvez choisir les options suivantes :

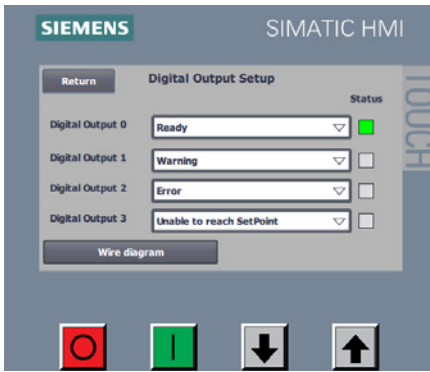
1. Non utilisé
2. Démarrage extérieur maintenu
3. Démarrage extérieur par impulsion
4. Arrêt externe NC\*
5. Point de consigne Haut
6. Point de consigne Bas

Vous pouvez également visualiser le diagramme de connexion correspondant en sélectionnant **Wire diagram** (Diagramme de câblage).

Dans la colonne **Status** (Statut) est indiqué (en vert) si l'unité de contrôle a enregistré la saisie.

\*: En commande déportée – pour que le ventilateur démarre, l'arrêt à distance doit être fermé. Le ventilateur s'arrête quand l'arrêt à distance est ouvert.

Les sorties numériques doivent être définies. A partir du menu principal, sélectionnez **Setup - Advanced Setup - Digital Output** (Paramètres - Paramètres avancés - Sortie numérique)



Vous pouvez choisir les options suivantes :

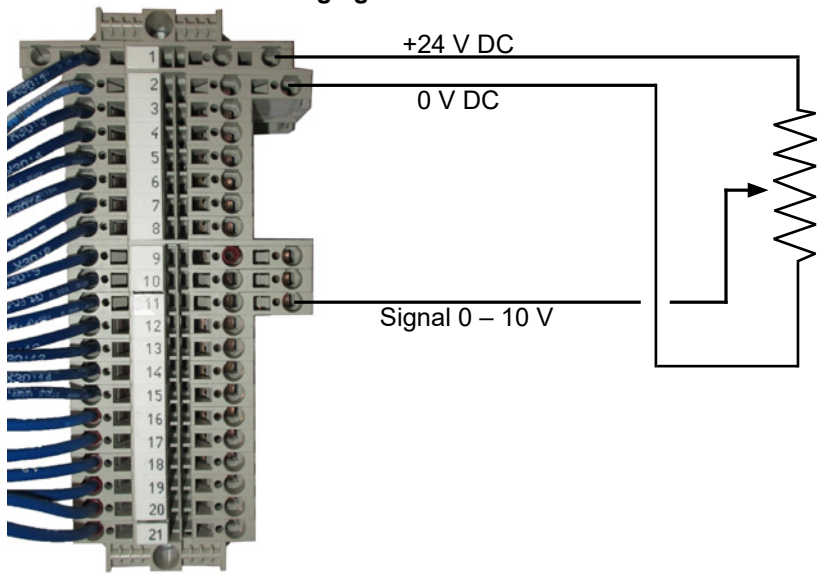
1. Non utilisé
2. Prêt
3. Alerte
4. Erreur
5. En marche
6. Démarrer le moteur 1
7. Démarrer le moteur 2
8. Démarrer le moteur 3
9. Le point de consigne ne peut être atteint

Vous pouvez également visualiser le diagramme de connexion correspondant en sélectionnant **Wire diagram** (Diagramme de câblage).

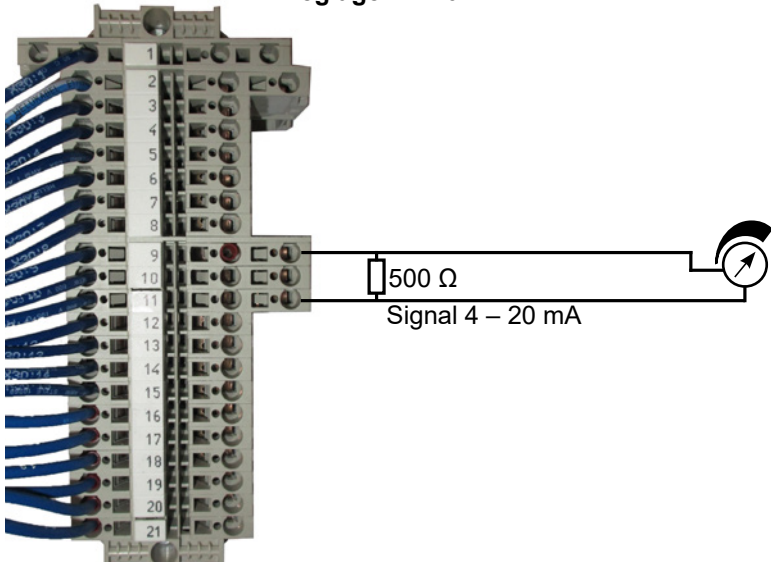
Dans la colonne **Status** (Statut) est indiqué (en vert) si l'unité de contrôle a enregistré la saisie.

Quelques exemples de diagrammes de câblage sont présentés ci-dessous :

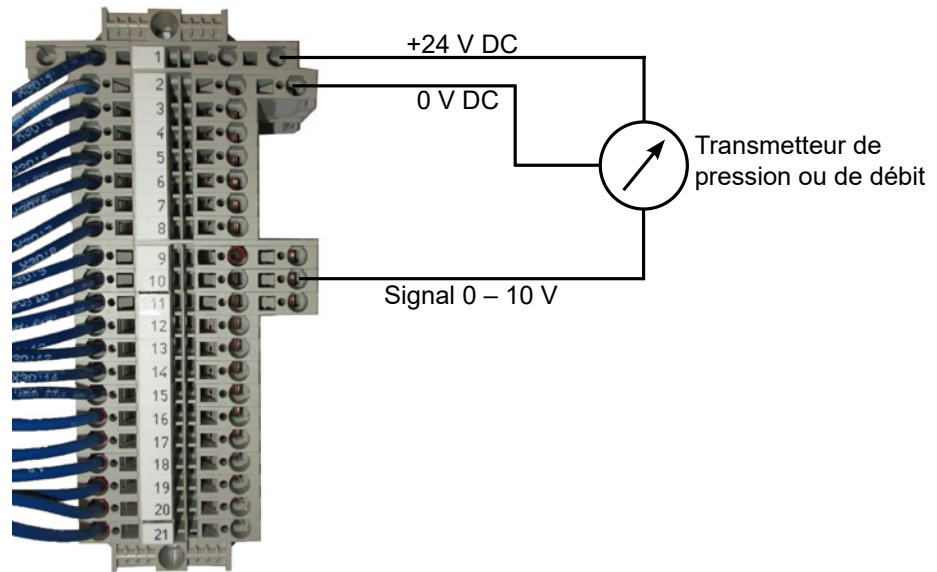
**Réglage 0 – 10 V**



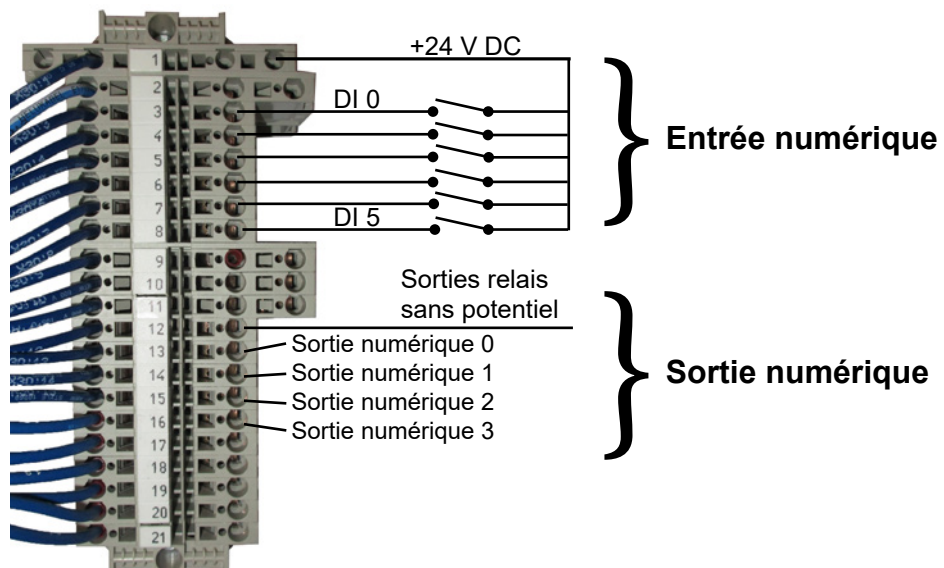
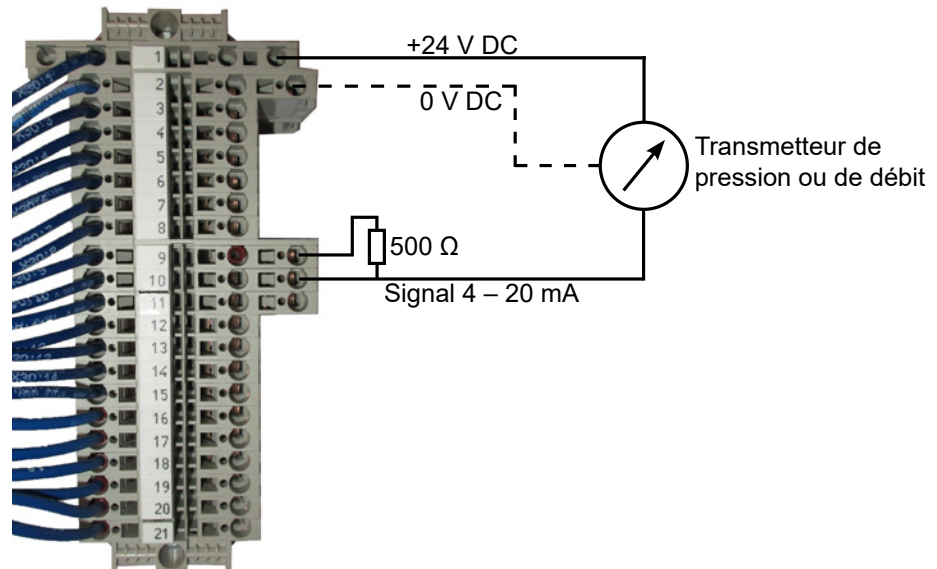
**Réglage 4 – 20 mA**

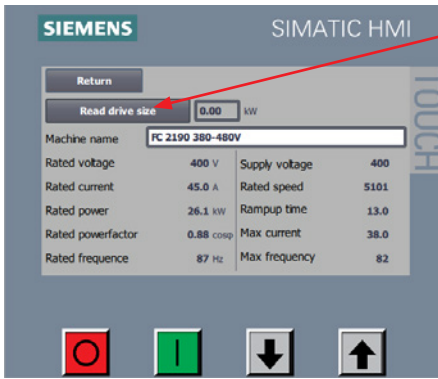


**Retour 0 – 10 V**



**Retour 4 – 20 mA**



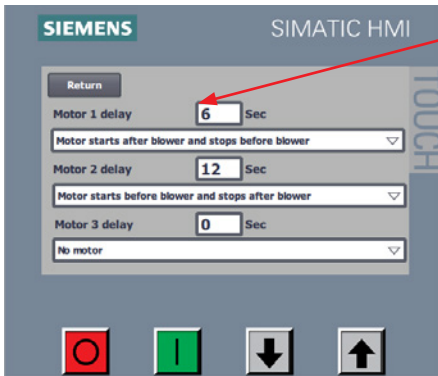


En cas de remplacement du variateur, les nouvelles données sont visualisées en sélectionnant **Motor Data - Read Drive Size - Transfer to Drive** (Données moteur - Lire la taille du variateur - Transférer au variateur). Si la lecture de la taille du variateur est impossible, le variateur n'a pas été réglé pour communiquer avec USS bus.

### Contrôle des moteurs externes

Si vous devez démarrer ou arrêter un équipement externe (tel qu'un coupeur) avant de démarrer ou d'arrêter le ventilateur, un temps d'attente peut être fixé.

La sortie numérique du ventilateur permet de contrôler 3 moteurs externes.



Le temps d'attente (en secondes) est saisi et l'on indique en dessous si le moteur externe doit démarrer ou s'arrêter avant ou après le ventilateur.

### Régulation du temps d'attente au démarrage et à l'arrêt

			Temps (x sec.)		Temps (x sec.)		
Démarrer / Arrêter le ventilateur							
Le moteur s'arrête après et le ventilateur s'arrête avant							
Le moteur s'arrête avant et le ventilateur s'arrête ensuite							
		Temps (y sec.)				Temps (y sec.)	



## Fonctionnement :

Il est possible de régler la vitesse du ventilateur avec le tableau de bord utilisateur (ou un contrôle externe). Il est donc possible d'ajuster les performances du ventilateur MultiAir pour correspondre précisément aux besoins de l'installation.

Le réglage peut être manuel ou automatique en utilisant un capteur de débit ou de pression (accessoire). Pour économiser l'énergie, il est important de ne pas utiliser des vitesses trop élevées pour la tâche courante. L'utilisation du ventilateur à des vitesses trop élevées peut également endommager le matériau convoyé.

Après réglage et démarrage du ventilateur, les réglages sont sauvegardés dans l'unité de contrôle, même si l'alimentation est coupée. Lors de l'utilisation, la valeur courante est toujours indiquée.

Si le point de consigne est modifié, le ventilateur adapte automatiquement ses performances (dans sa limite de puissance).

**Démarrage du ventilateur :** Appuyez sur le bouton de démarrage vert (2). Lorsque le ventilateur est en marche, le statut indique "Running" (en marche).

**Arrêt du ventilateur :** Appuyez sur le bouton d'arrêt rouge (1). Lorsque le ventilateur est arrêté, le statut indique "Stopped" (arrêté).

**Augmenter la performance du ventilateur (vitesse) :** Appuyez sur le bouton avec une flèche vers le haut (3). Le bouton peut être laissé appuyé pour une plus grande précision.

**Réduire la performance du ventilateur (vitesse) :** Appuyez sur le bouton avec une flèche vers le bas (4). Le bouton peut être laissé appuyé pour un ajustement plus rapide.

Si vous ne pouvez obtenir le réglage désiré, la limitation de puissance peut avoir été atteinte. Le tableau de bord affiche alors : "Unable to reach Setpoint" (Impossible d'atteindre ce réglage).

Le démarrage et l'arrêt du ventilateur en fonctionnement normal devrait être effectué depuis le panneau de contrôle ou les entrées digitales.

Dans le cas où l'interrupteur principal est débranché et reconnecté après une durée 30 seconde à 1 minute, il peut être nécessaire de réinitialiser une erreur en appuyant sur "Ack Fault", le ventilateur fonctionnera alors à nouveau normalement.

Le ventilateur ne devrait pas être arrêté par le sectionneur principal mais arrêté par le bouton placé sur le panneau de commande.

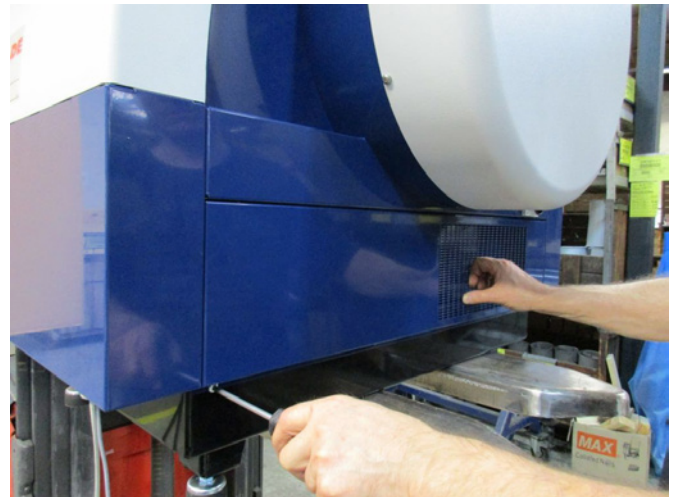
## Service et entretien :

Tous les entretiens, la maintenance et les réparations doivent être effectués par un personnel qualifié et formé.

Les roulements à bille du moteur sont lubrifiés à l'usine et ne nécessitent aucune autre lubrification. Le rotor du moteur est monté directement sur l'arbre du moteur, il n'y a donc pas de roulements à bille dans le ventilateur. Le ventilateur est équipé d'un filtre, installé dans l'arrivée d'air sous le moteur. Ce filtre doit être nettoyé ou remplacé si nécessaire. Il peut également s'avérer nécessaire de nettoyer la grille de l'entrée d'air, surtout si le ventilateur est installé en extérieur.

### Le filtre peut être inspecté de la façon suivante :

1 - Retirez les 4 vis M6, tirez le panneau vers le bas et mettez-le de côté.



2 - La cassette du filtre est retirée de l'arrivée d'air et le filtre est retiré. Le filtre peut être nettoyé si nécessaire avec de l'air ou de l'eau sous pression. Si de l'eau est utilisée, le filtre doit être séché avant réinstallation. Si le filtre est très sale ou bouché, il doit être remplacé. Assurez-vous de remonter correctement le filtre. Appuyez sur la cassette du filtre pour la remettre en position. Remettez l'arrivée d'air en place, puis les 4 vis.



Une fois par an, l'entretien doit comporter les étapes suivantes :

- Inspection visuelle de toutes les connexions de câble, des couvercles, des connexions électriques et des câbles, afin de vous assurer qu'ils sont bien fixés.
- Assurez-vous que toutes les connexions électriques sont bien fixées.
- Assurez-vous que les deux ventilateurs de refroidissement de l'AC tournent à pleine vitesse et retirez la poussière des pales si nécessaire.

Le moteur de l'unité AC est équipé de deux ventilateurs de refroidissement qui se mettent en marche dès que l'interrupteur principal du ventilateur est allumé. La durée de vie estimée de ces deux ventilateurs est de 4 à 6 ans en utilisation continue.

Passée cette date, le nombre de tr/mn est réduit, puis les ventilateurs s'arrêtent (voir la section "Dépannage"). Les deux ventilateurs doivent être remplacés avant que leur efficacité soit réduite de façon trop significative pour s'assurer du bon refroidissement du moteur de l'unité AC.

Le ventilateur MultiAir doit être stocké dans un endroit sec, non corrosif et à des températures comprises entre -20 et +55°C.

**Important :**

Si le variateur est resté sans alimentation électrique sur une période dépassant 12 mois, Kongsildé doit être contacté avant que le variateur soit rebranché ; le ventilateur de l'unité AC pourrait autrement être endommagé parce qu'il contient des condensateurs qui doivent subir une procédure de démarrage spécifique.

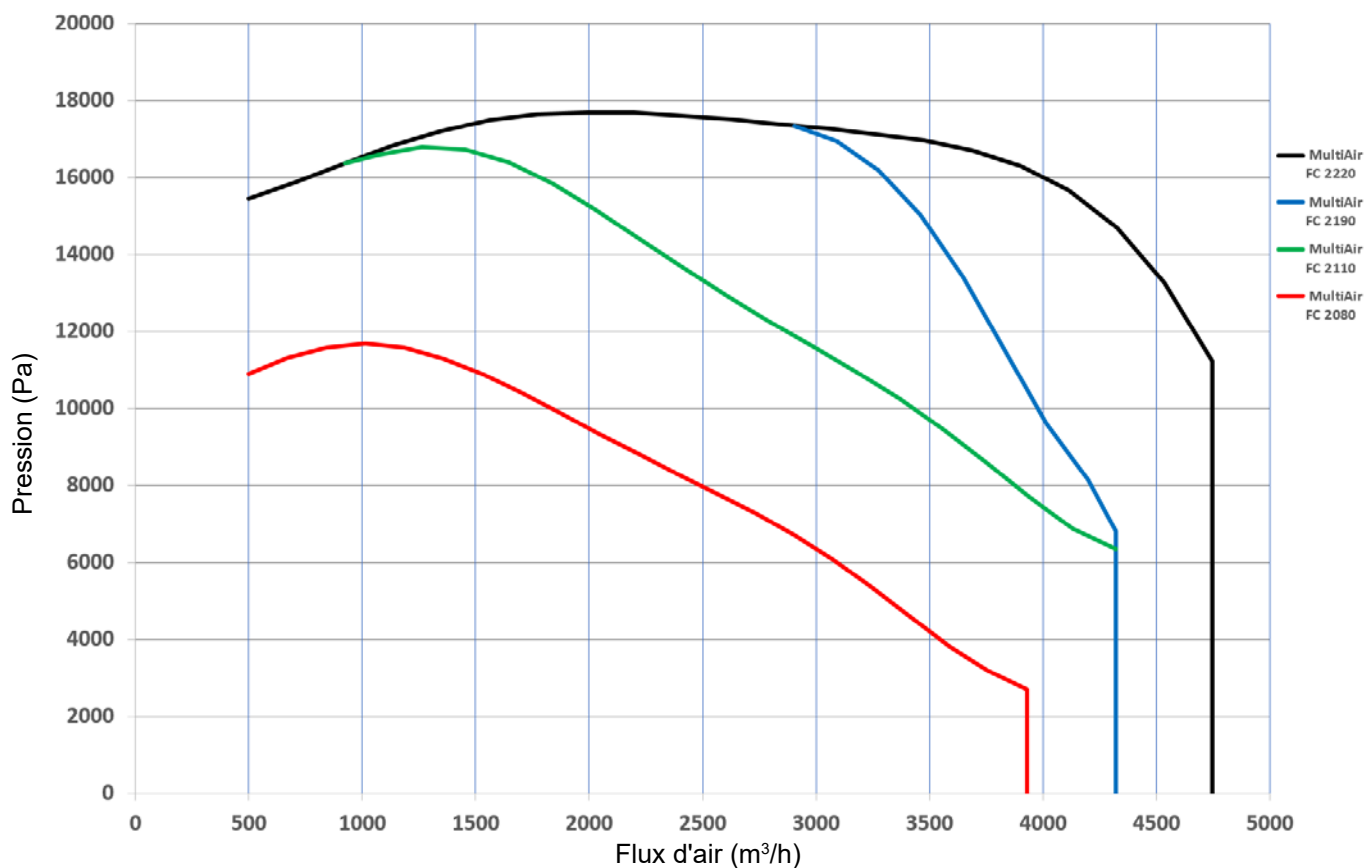
## Dépannage:

Problème	Cause	Solution
Pas d'alimentation du panneau de commande	Aucune alimentation ou interrupteur principal éteint.  Arrêt par disjonction de la commande ventilateur	Vérifiez que l'alimentation est bien branchée et que l'interrupteur principal du ventilateur est sur On.  Ré-enclencher le disjoncteur (voir la section "Installation électrique")
Le ventilateur ne démarre pas lorsque l'on appui sur le bouton « Start »	Le ventilateur a été arrêté et remis en route trop rapidement par le sectionneur principal.  Le mode "Remote" (à distance) est sélectionné sur le tableau de bord.  L'opérateur ne dispose pas de l'accès pour gérer le ventilateur.  Signal d'entrée numérique Arrêt externe NC non sélectionné et / ou correctement connecté à la borne X30.  Le variateur de fréquence du ventilateur est endommagé à cause d'une surtension causée par un câblage desserré ou des vibrations transmises au ventilateur par le sol ou le système de conduites.	Réinitialiser l'erreur avec "Ack Fault" sur le panneau de commande.  Connectez-vous en tant qu'utilisateur Tech ou Admin et réglez sur Local (si nécessaire).  Connectez-vous en tant qu'utilisateur Tech ou Admin et réglez l'accès Opérateur si nécessaire.  Connectez l'arrêt à la borne X30 ou vérifiez la connexion. Choisissez l'entrée numérique appropriée sur le panneau opérateur.  Remplacez le variateur de fréquence et resserrez bien les connexions de câblage. Vérifiez les vibrations et corrigez-les conformément à la section "Montage".
Le ventilateur ne s'arrête pas lorsque l'on appui sur le bouton « STOP »	Le mode "Remote" (à distance) est sélectionné sur le tableau de bord.  L'opérateur ne dispose pas de l'accès au ventilateur	Connectez-vous en tant qu'utilisateur <b>Tech</b> ou <b>Admin</b> et réglez sur Local (si nécessaire).  Connectez-vous en tant qu'utilisateur <b>Tech</b> ou <b>Admin</b> et réglez l'accès <b>Opérateur</b> si nécessaire

<p>Le ventilateur ne démarre pas et ne s'arrête pas lors d'une utilisation avec entrée numérique</p>	<p>Le mode "Local" est sélectionné sur le tableau de bord.</p> <p>L'entrée numérique "External Stop NC" n'a pas été configurée correctement</p>	<p>Connectez-vous en tant qu'utilisateur <b>Tech</b> ou <b>Admin</b> et réglez sur Remote (à distance) si nécessaire).</p> <p>Assurez-vous que le circuit est bien fermé</p>
<p>Le ventilateur ne répond pas lorsque l'on appuie sur les Boutons "↓" and "↑" du tableau de bord</p>	<p>La commande à distance est retenue pour le fonctionnement.</p> <p>L'opérateur ne dispose pas de l'accès pour gérer le ventilateur</p>	<p>Connectez-vous en tant qu'utilisateur <b>Tech</b> ou <b>Admin</b> et réglez sur Local (si nécessaire).</p> <p>Connectez-vous en tant qu'utilisateur <b>Tech</b> ou <b>Admin</b> et réglez l'accès <b>Opérateur</b> si nécessaire</p>
<p>Aucune donnée n'apparaît sur l'écran du tableau de contrôle</p>	<p>Pas de connexion entre le variateur et le tableau (connexion Profinet). Le message "USS com fault apparaît dans le menu "Status".</p> <p>Variateur de fréquence défectueux.</p> <p>Aucune alimentation du tableau de contrôle</p>	<p>Rebranchez ou remplacez le câble Ethernet.</p> <p>Vérifiez si l'écran du variateur de fréquence est allumé. Remplacez le variateur de fréquence.</p> <p>Rebranchez la connexion 24VDC</p>
<p>Le ventilateur s'arrête inopinément</p>	<p>Le moteur du ventilateur est en surchauffe et a été éteint par le capteur PTC du moteur</p>	<p>Laissez le moteur refroidir et cherchez la cause de la surchauffe</p>
<p>Ajustement erratique des performances du ventilateur</p>	<p>Le capteur de pression ou de flux n'est pas installé correctement dans le tuyau et/ou mal connecté au ventilateur.</p> <p>Le variateur du ventilateur a atteint la température maximale et le message "Inverter over temperature" s'affiche dans le menu "Statut"</p>	<p>Vérifiez que le capteur est bien installé dans le tuyau (flux d'air dans la direction de la flèche) et bien connecté au ventilateur.</p> <p>Nettoyez le filtre à air de l'arrivée d'air. Vérifiez les ventilateurs du moteur AC. Si possible, réduisez la température ambiante. Si possible, réduisez le besoin en capacité</p>
<p>Mauvaises performances du ventilateur</p>	<p>Le variateur du ventilateur a atteint la température maximale et le message "Inverter over temperature" s'affiche dans le menu "Statut"</p>	<p>Nettoyez le filtre à air de l'arrivée d'air.</p> <p>Vérifiez les ventilateurs du moteur AC.</p> <p>Si possible, réduisez la température ambiante.</p> <p>Si possible, réduisez le besoin en capacité</p>
<p>Le ventilateur ne peut pas atteindre le point de consigne souhaité et «Impossible d'atteindre le point de consigne» s'affiche sur le panneau de commande</p>	<p>Les performances des ventilateurs sont trop faibles pour le système et le point de consigne</p>	<p>Réglez le point de consigne jusqu'à max. performances réalisables.</p> <p>Personnalisez le système afin que le ventilateur puisse fournir les performances requises.</p> <p>Choisissez un ventilateur avec des performances plus élevées</p>

En cas de doute, contactez le technicien qualifié ou le service technique KONGSKILDE.

## Courbes de performances des modèles MultiAir FC 2000 séries



Modèle Multiair	2080	2110	2190	2220
Puissance nominale du ventilateur (kW)	7,5	11	18,5	22
Alimentation	380-480V, 50/60Hz			
Fusible (Ampere)	25A	40A	50A	63A
Poids (kg)	290	331	335	342
Chauffage de l'air à 1.800 m³/h in °C	10	14	20	20
Température ambiante	-10°C à 50°C			
Contrôle du ventilateur	Les performances du ventilateur sont régulées par un variateur de vitesse intégré (VSD)			
Rendement énergétique $D_e$	64,2%	64,9%	67,4%	67,2%
Rendement énergétique méthode et type	B - total			
Classe de rendement	N 64			
Débit volumique à rendement énergétique optimal Q (m³/h)	2.560	3.175	3.275	3.475
Pression à rendement énergétique optimal $P_t$ (Pa)	7.800	10.950	16.200	16.950
Tr/mn/min du rotor à pleine performance	4.800	4.800	4.800	4.800
Rapport de pression spécifique entre l'entrée et sortie	1,08	1,11	1,16	1,17
Option pour MultiAir FC	Les performances des ventilateurs sont réglées manuellement au niveau du tableau de contrôle. Un contrôle de débit ou de pression peut être utilisé en option pour contrôler les performances du ventilateur			
Homologations	CE ou UL/CSA			
Niveau de pression sonore $L_p$ (1 meter)	≈ 72-76 dB (A) (dépend de l'utilisation)			

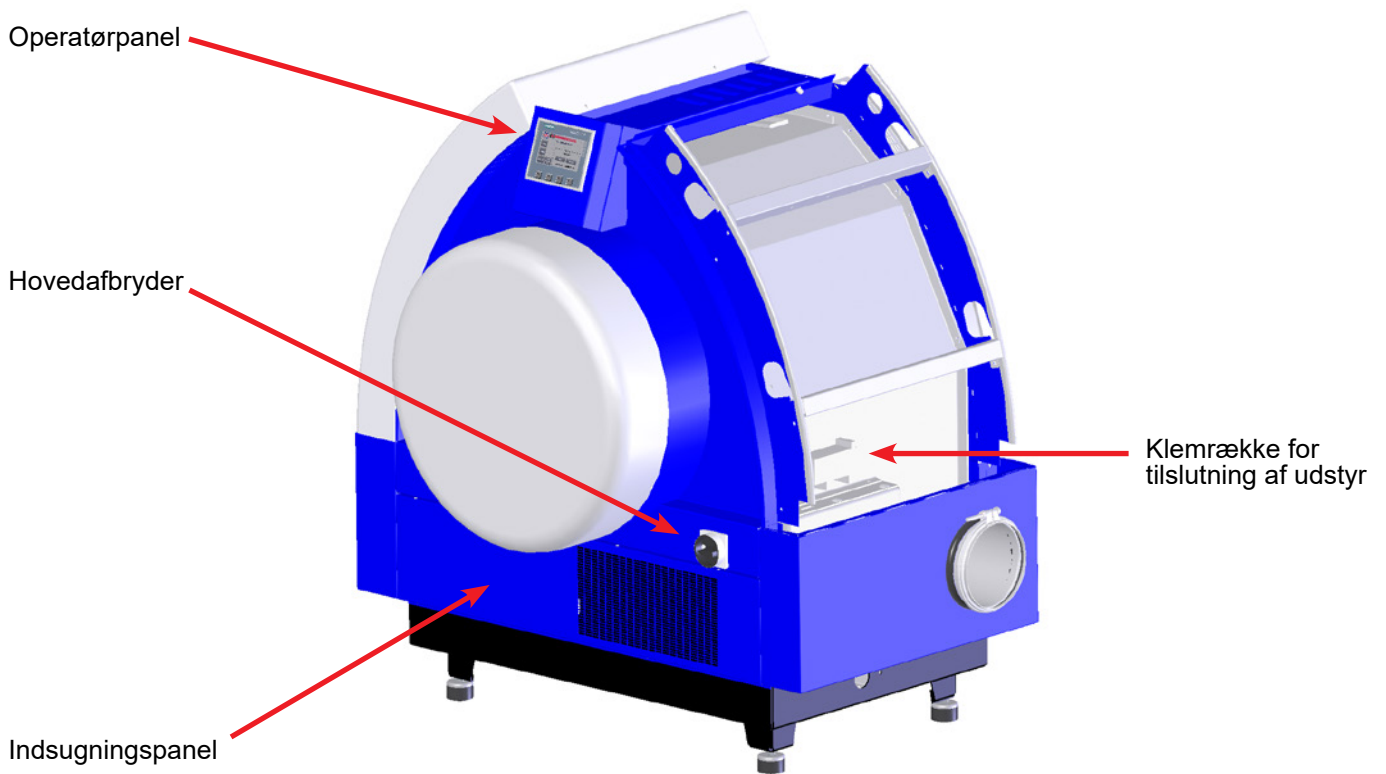
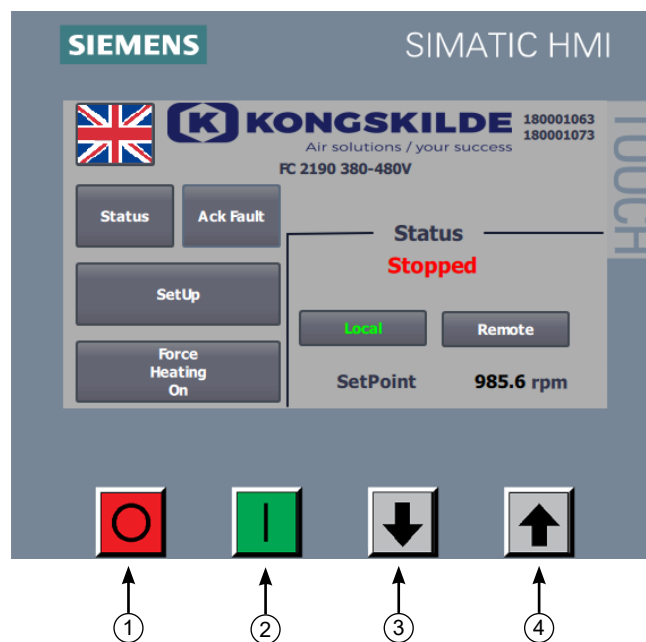


Illustration 1



1. Stop
2. Start
3. Sætpunkt ned (reducér ydelse)
4. Sætpunkt op (forøg ydelse)

Illustration 2

## DK

Denne brugsanvisning er beregnet for Kongskilde MultiAir blæsere i model FC 2000 serien.

### Anvendelsesområde:

Kongskilde MultiAir blæseren er beregnet til brug i forbindelse med pneumatiske transportanlæg, men er også velegnet til mange andre lufttekniske opgaver.

Der må ikke transporteres materiale gennem MultiAir blæseren.

Der må ikke transporteres korroderende, klæbende eller støvholdige luftarter gennem MultiAir blæseren. For S modellerne gælder det, at indsugningsluften temperatur max. må være 70°C. For T modellerne må indsugningsluftens temperatur (omgivelsestemperaturen) max. være 50°C ved blæserens ind sugning.

### Sikkerhedshenvisning:

Sørg for at alle afskærmninger er i orden og korrekt monteret under drift.

Afbryd altid strømmen til blæseren før reparation og vedligeholdelse. Sikkerhedsafbryderen skal afbrydes og låses, så blæseren ikke kan startes ved en fejltagelse.

Stik aldrig hånden ind i blæserens tilgang eller afgang, mens blæseren kører.

Sørg for at der er sikre adgangsveje, som kan bruges ved reparation og vedligeholdelse af blæseren.

Hold orden på arbejdspladsen så der ikke er risiko for faldulykker.

Sørg for tilstrækkelige lysforhold til sikker betjening af blæseren.

For at hindre utilsigtet kontakt med blæserhjulet, SKAL der være monteret 850 mm lange rør (max. Ø200 mm) på til- og afgangsluft tilslutningerne (tilgangsrør kun relevant for MultiAir blæsere type S). Disse rør skal monteres med koblinger, hvortil der skal benyttes værktøj for adskillelse. Såfremt det ikke er muligt med 850 mm lange til- og afgangsrør, skal man blot sikre at der fra blæseren er en afstand fra studsene på 850 mm hvor alle samlinger er udført således at der skal anvendes værktøj for adskillelse. Årsagen til at der SKAL anvendes værktøj, er at det iht. Maskindirektivet ikke er tilladt for uautoriseret personel at adskille ind til potentielt farlige/roterende dele. Hvis der er monteret lynkobling, kan uautoriseret personel ved et uheld komme til at adskille samlingen og på den måde risikere at få adgang til roterende dele.

Blæserens omdrejningstal kan indstilles trinløst ved hjælp af operatør panelet.

For ikke at overbelaste blæser og motor, kan omdrejningstallet ikke stilles højere end det, som blæseren er beregnet til. Det er ikke tilladt at ændre el-udstyret for at øge blæserens maksimale omdrejningstal.

Pas på øjenskader. Hvis der er små partikler i materialet, som transporteres, kan de blive blæst ud gennem blæserens luftafgang sammen med transportluften. Brug derfor beskyttelsesbrille i nærheden af luftafgange.

Hvis der konstateres unormale rystelser eller støj, skal blæseren stoppes øjeblikkelig, og der skal tilkaldes sagkyndig assistance.

### Installation:

MultiAir blæseren leveres klar til brug fra fabrikken, og skal kun tilsluttes el-forsyning og rørføring på blæserens afgang og evt. tilgang.

Hvis blæseren skal flyttes, skal der anvendes en gaffeltruck eller lignende, der løfter under blæserens bundramme. Gaflerne skal være så lange, de løfter i begge sider af bundrammen.

Blæseren er konstrueret, så den kan opstilles uden dørs, og er dimensioneret for omgivelsestemperatur -10°C - 50°C. Hvis temperaturen overstiger 50°C kan dette reducere levetiden.

Vær opmærksom på at der er tilstrækkelig frisklufttilførsel til rummet, som blæseren tager indsugningsluften fra. Der skal også sikres fri lufttilførsel omkring blæseren, så ved udendørs montage i kolde omgivelser skal blæseren beskyttes mod opbygning af sne omkring filteret og ved ind sugningen (gælder kun for T modellerne). Ligeledes skal blæseren afdækkes mod direkte sol i varme omgivelser, for at undgå overophedet frekvensomformer.

Sørg for at blæseren er installeret, så den er sikret mod nedstyrtning og væltning.

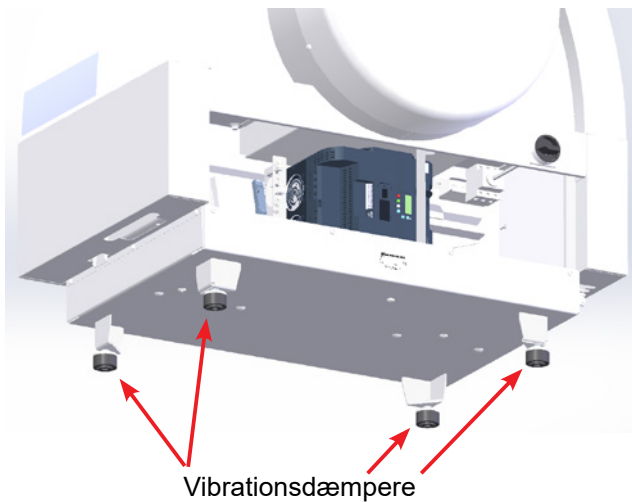
Vær opmærksom på at blæseren opstilles, så der er let adgang til betjening og vedligeholdelse. Blæseren skal opstilles på et stabilt underlag, som er plant og vandret. Juster maskinskoene under blæseren, så de støtter ensartet på underlaget. Blæseren må ikke fastgøres til underlaget eller bygningsdele, da vibrationsdæmperne under blæseren ellers ikke vil fungere.

NB - Hvis blæseren udsættes for vibrationer fra underlag eller rørføring, er der risiko for at blæserens styring ødelægges. Vær derfor særligt opmærksom på følgende:

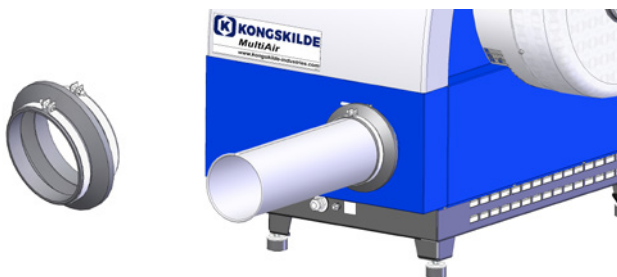
**Det er vigtigt, at blæseren opstilles på et vibrationsfrit underlag, og at der ikke overføres vibrationer til blæseren via det tilsluttede rørsystem.**

Hvis der er risiko for at blæseren udsættes for vibrationer fra underlaget, kan der monteres en anden type vibrationsdæmpere på blæseren, end de originale. Vibrationsdæmperne vil kunne absorbere svingninger i området 0 – 10Hz, og er konstrueret til at eliminere udefra kommende svingninger.

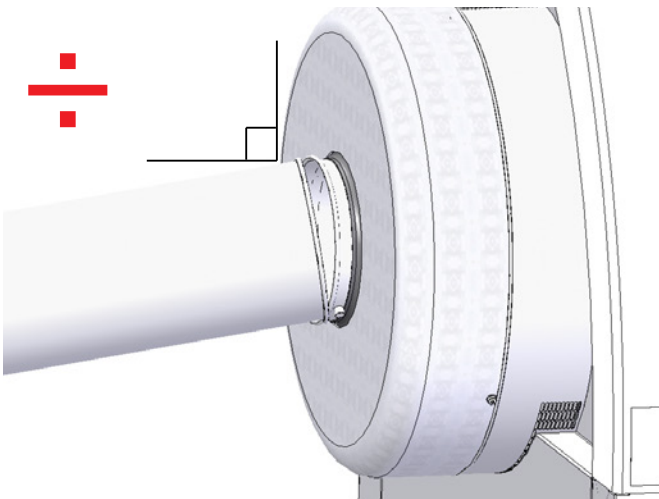
Disse vibrationsdæmpere kan købes under varenr 123 022 036. Sættet indeholder 4 dæmpere samt Ø160 og Ø200 fleksible overgangsstykker, se nedenfor.



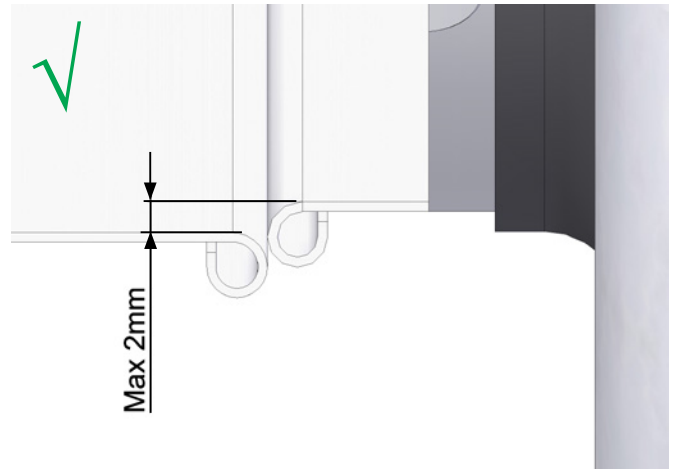
Hvis blæseren udsættes for vibrationer fra rørføringen, er der ligeledes risiko for at blæserens styring ødelægges. Disse vibrationer kan forplante sig gennem blæserhuset over i styringen. Der skal derfor monteres fleksible overgangsstykker. Kongskilde tilbyder Ø160 overgangsstykke incl. spændebånd, under følgende varenr: 122 000 026 (til blæserens afgang).



Det er vigtigt, at rørsystemet understøttes eller ophænges forsvarligt. Endvidere skal der understøttes tæt på blæseren, og det skal sikres, at vrid fra rørføringen ikke overføres til blæseren. **Hvis der ikke understøttes forsvarligt, eller der overføres vrid, er der stor risiko for at blæserens styring ødelægges.**

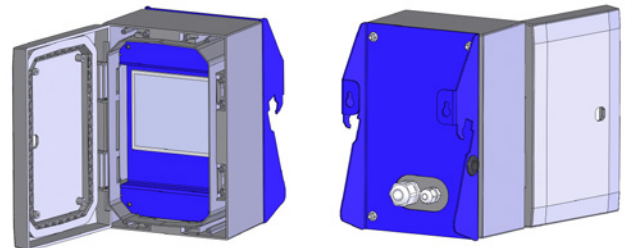


Rørene på blæserens til- og afgangsside skal oprettes, så rørenderne ligger parallelt an mod hinanden, og sidde centreret ud for hinanden, med en max. afvigelse på 2 mm.



Operatørpanelet skal monteres indendørs eller beskyttet mod vand og uv stråler, da nedbør og sollys kan ødelægge panelet.

Kongskilde tilbyder en kapsling til undendørs montage af operatørpanelet med varenr: 123 022 262.

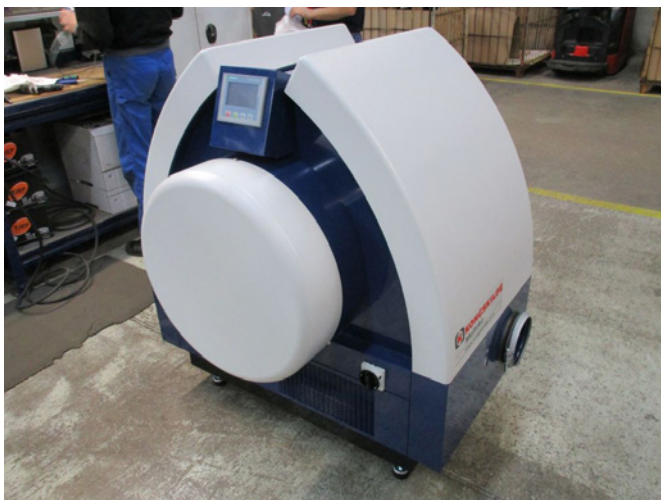


Operatørpanelet er ved levering vedlagt blæseren og kan enten hægtes på blæserens gavl (se nedenstående foto), eller monteres andetsteds. Panelet er forsynet med 10m. kabel, dette kan udskiftes til max. 150m. om nødvendigt. Kongskilde kan levere forlænger kabel sæt á hhv. 50m, 100m og 150m, alle indeholder datakabel og 24V forsyningskabel, og alle er godkendt til udendørs brug.

Varenr	Type
123 022 311	50 meter forlængerkabel (data + 24V)
123 022 312	100 meter forlængerkabel (data + 24V)
123 022 326	150 meter forlængerkabel (data + 24V)

Benyt et standard CAT6 datakabel og 24V forsyningskabel beregnet til udendørs montage, om nødvendigt. Brug terminalrør til 24V kablet, og forlæng ikke kablerne, da samlinger kan forringe driftsikkerheden.

**Operatørpanelet er vedlagt og tilsluttet blæseren ved levering, og hæftet på blæserens gavl således:**

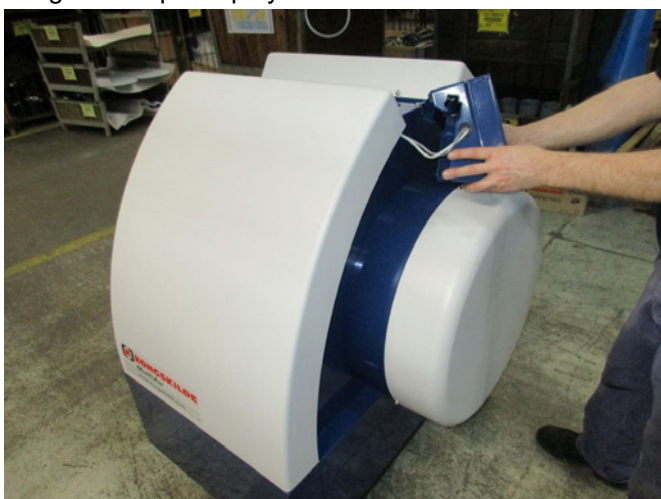


**3 - Panelet vendes, de to ledninger afmonteres, og panelet lægges til side.**



**Operatørpanelet kan flyttes til anden placering hvis det ønskes. Dette gøres således:**

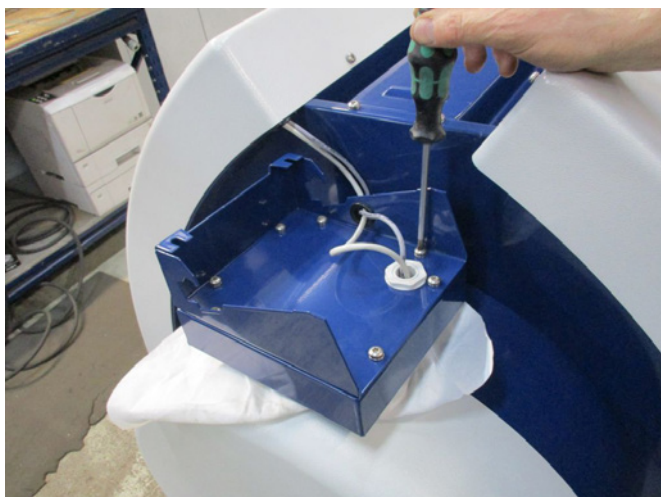
**1 - Panelet hæftes af og lægges på blæserens motor. Læg gerne en klud eller lignende under panelet for at undgå ridser på displayet.**



**4 - Dækkappen til venstre for operatørpanelet fjernes (2 stk. M6 skruer fjernes), og kabelbinderen klippes.**



**2 - De 8 stk. M6 skruer på bagsiden af panelets beslag fjernes.**



**5 - Forskrningen i panelets beslag løsnes, ledningerne trækkes ud gennem beslaget og gennem begge huller i blæserens gavl, og ned langs blæserens venstre side.**

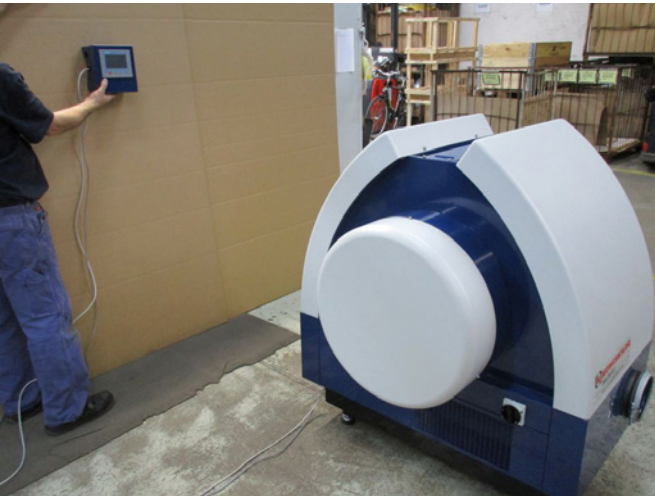




6 - Begge ledninger føres gennem en M25 kabelforskruning (medfølger ikke), der monteres forrest eller bagerst i blæserens bundramme, under hensyntagen til operatørpanelets nye placering.



7 - Ledningerne føres gennem panelets beslag, stikkene monteres, forskruringen spændes, og de 8 stk. M6 skruer isættes. Panelet kan nu hægtes på en væg eller lignende ved hjælp af de to langhuller på bagsiden.



#### Tilslutning af flow- eller trykkontrol (ekstraudstyr)

Ønskes det at benytte blæserens indbygget PID regulering til at fastholde et fast tryk eller volumen flow fra blæseren, skal der kobles en tryk- eller flow kontrolenhed til blæserens styring.

Kongskilde anbefaler at benytte Kongskildes standard flow- eller trykkontrol for automatisk drift af blæseren. I både flow- og trykkontrol pakken benyttes en ekstern differenstrykstransmitter, samt hhv. rørmonteret blænde eller rørmonteret trykudtag.

Begge pakker indeholder desuden slange samt fittings.

**VIGTIGT:** Transmitteren skal monteres på fast underlag uden vibrationer, dvs. ikke på rørsystemet eller blæseren. Yderligere skal trykudtaget/blænden monteres i en afstand af mindst 20 x rørdiameter fra blæseren, da operatørpanelet ellers ikke vil vise de korrekte værdier for tryk og flow.

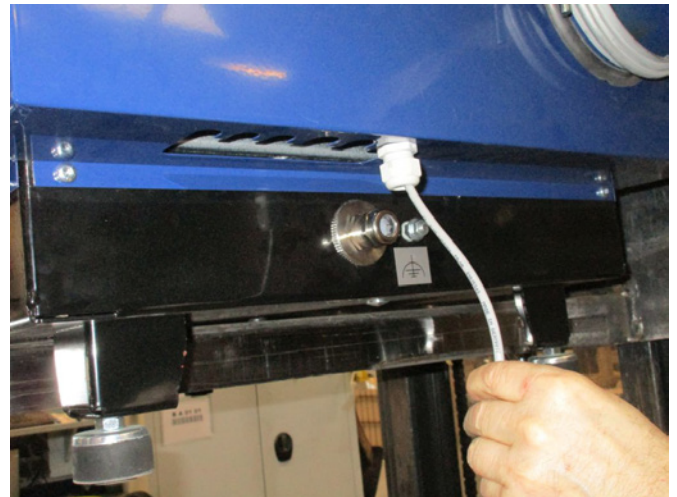
Tryk- eller flow udstyret kan bestilles hos Kongskilde under varenumrene:

Varenr	Type
123 021 049	Trykkontrol enhed
123 030 248	Flowkontrol enhed

Ved tilslutning af evt. flow- eller trykkontrol skal ledningen fra differenstryktransmitteren tilsluttes blæserens klemrække således:

1 - Fjern dækkappen i højre side (set fra motorsiden).

2 - Før differenstryktransmitterens ledning gennem en M20 kabelforskruning (medfølger ikke), og dernæst gennem bunden af blæseren. Fastgør forskruringen i blæserens bundramme.

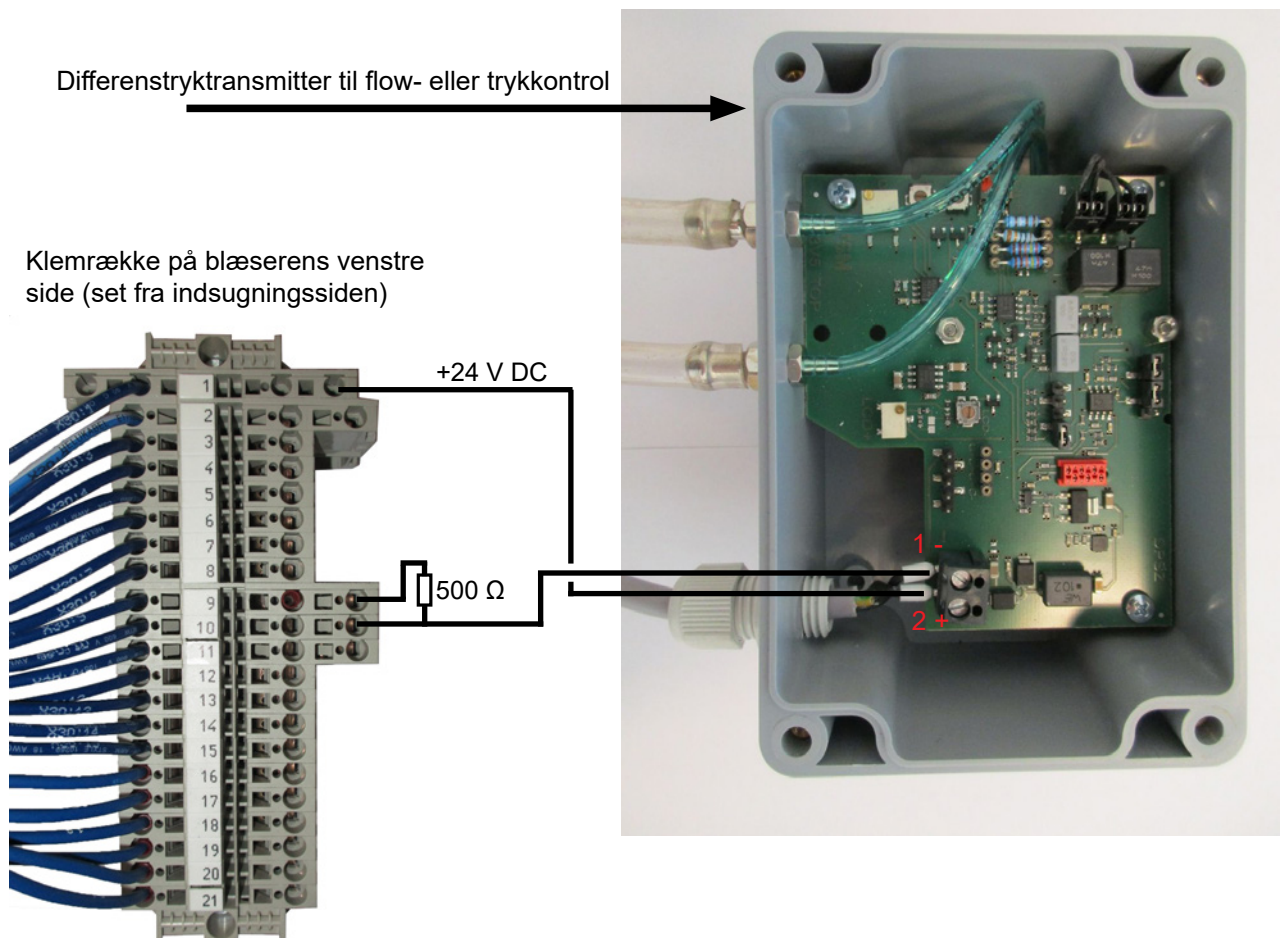


3 - Terminalerne udløses med en lille skruetrækker, og ledningerne monteres i h.t. illustrationen nedenfor:

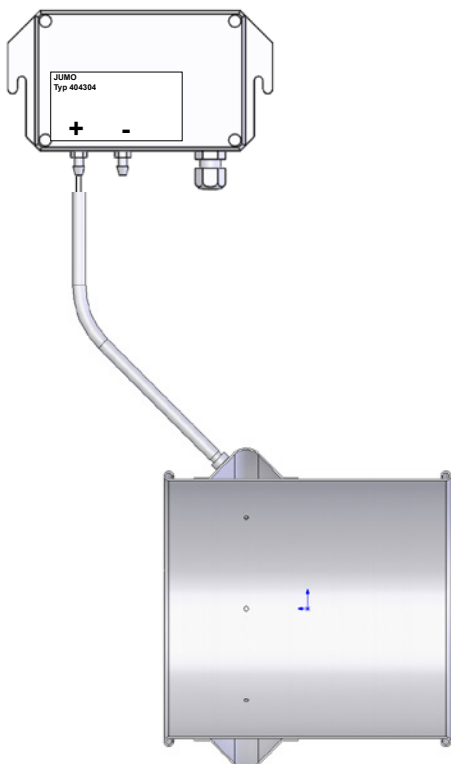
- terminal 1 (+24VDC) til terminal 2 i styreboksen
- terminal 10 (4-20mA signal) til terminal 1 i styreboksen
- evt. kan der forbindes fra terminal 2 (0VDC) til styreboksen, hvis der er behov for dette (ikke påkrævet ved Kongskildes flow- eller tryktransmitter).



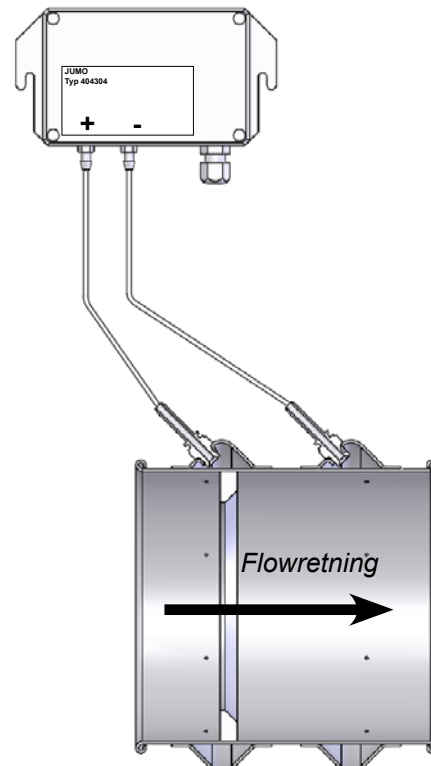
## Tilslutning af tryk- eller flow kontrol



Forbindelse af slanger mellem tryktransmitter og trykkudtag (til trykstyring)



Forbindelse af slanger mellem tryktransmitter og blænde (til flowstyring)



4 - Kabelforskrningen spændes, og dækkappen monteres.

5 - Differenstryktransmitteren monteres (på vibrationsfrit underlag).

6 - Låget fjernes, ledningerne forbindes i h.t. diagrammet i skrueterminalerne, og låget genmonteres.

7 - Slangerne fra blænden (ved flow styring) eller trykudtaget (ved tryk styring) forbindes i h.t. nedenstående skitse. Der medfølger 4 meter klar slange, dette kan forlænges efter behov.

#### Vedrørende opstilling af rørsystem:

Transportydelsen for et pneumatisk transportsystem er meget afhængig af rørsystemets opbygning. Det er derfor vigtigt at følge det layout, som er udarbejdet for rørsystemet til den pågældende installation.

Husk også at rørsystemets samlinger skal være tætte, da utætheder vil nedsætte transportydelsen.

NB - efter tilslutning af strøm til blæseren, kan der være en forsinkelse på op til ½ minut før der vises skærmbillede på operatørpanelet.

#### El tilslutning:

MultiAir blæseren leveres for 380 - 480V spændingsområde. Skal blæseren installeres i 200-240V and 480 - 575V spændingsområde, skal der monteres en ekstern transformer mellem strømforsyningen og blæseren.

Alle el-installationer skal udføres i henhold til gældende lovgivning. Kontroller at el-forsyningen på stedet passer med specifikationerne for MultiAir blæseren.

Se også de separate eldiagrammer for MultiAir blæseren, som er medleveret.

NB - ovenfor kabelforskrningen til forsyningskablet og potential udligningsklemmen er der 6 udskæringer til kabelforskrninger. Disse kan anvendes til styrestrømsledninger, differenstryktransmitter tilslutning, digitale ind- og udgange, mv.

En ekstern start/stop kontakt og / eller styreboks for ekstern motor kan bestilles hos Kongskilde med følgende varenr:

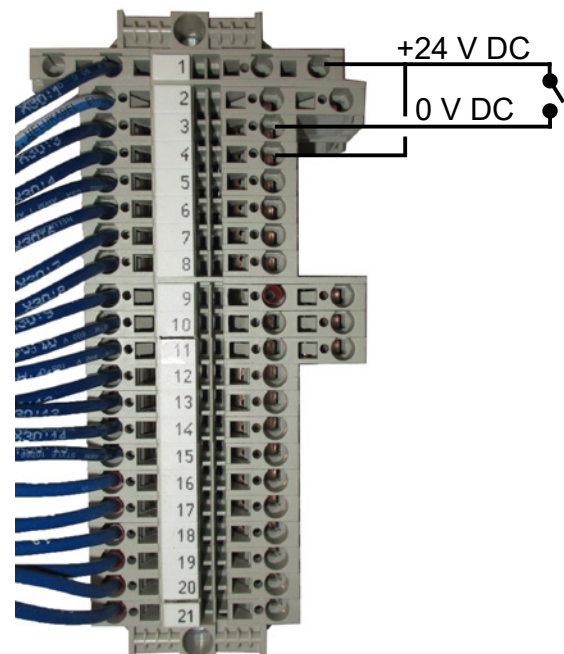
Varenr	Type
100 503 357	Ekstern start/stop kontakt
100 503 338	Ekstern motorstyring 0,55kW (ved 400V) 1,3-1,7A
100 503 345	Ekstern motorstyring 0,75kW (ved 400V)1,7-2,3A
100 503 341	Ekstern motorstyring 1,1kW (ved 400V) 2,3-3,1A
100 503 342	Ekstern motorstyring 1,5kW (ved 400V) 3,1-4,2A
100 503 339	Ekstern motorstyring 2,2kW (ved 400V) 4,2-5,7A
100 503 343	Ekstern motorstyring 3kW (ved 400V) 5,7-7,6A
100 503 340	Ekstern motorstyring 4kW (ved 400V) 7,6-10A

Start/stop kontakten og styreboksene er alle specificeret 3x200V-600V 50/60Hz.

#### Start / stop kontakt



Den eksterne start/stop kontakt tilsluttes i terminalklemme X30 mellem klemme 1 (+24VDC) og 3 (Digital Input 0), og der monteres en lus mellem klemme 1 og 4.



På operatørpanelet skal:

Digital Input 0 sættes til *External start signal - hold* og Digital Input 1 sættes til *External stop NC*.

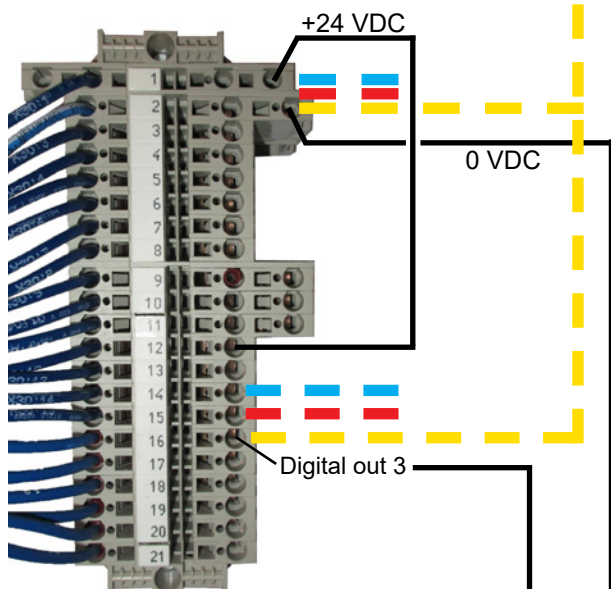
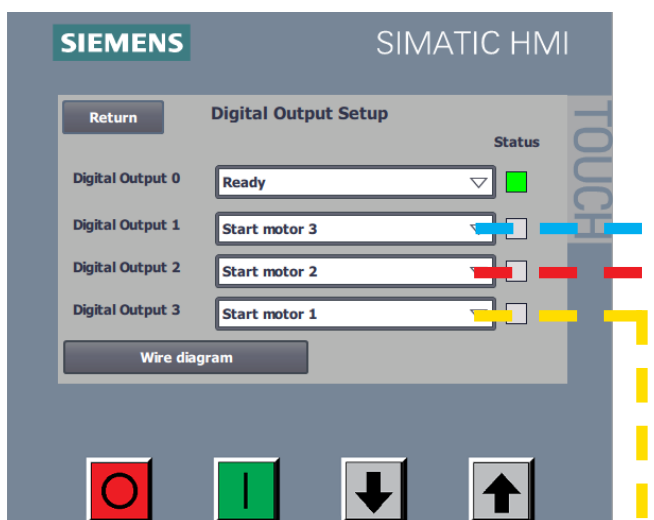
## Motorstyring

Den eksterne motorstyring tilsluttes i terminalklemme X30 mellem klemme 2 (0 VDC) og 16 (Digital Output 3), og der monteres en lus mellem klemme 1 (+24 VDC) og 12. Yderligere motorer kan tilføjes klemme 15 og klemme 14.

På operatørpanelet skal:

Digital Output 3 sættes til *Start motor 1*.

Ydermere kan der konfigureres et evt. delay, se afsnit "Opsætning af blæseren via operatørpanelet". (De stiplede linier viser kun sammenhængen, og ikke ledningsforbindelserne).

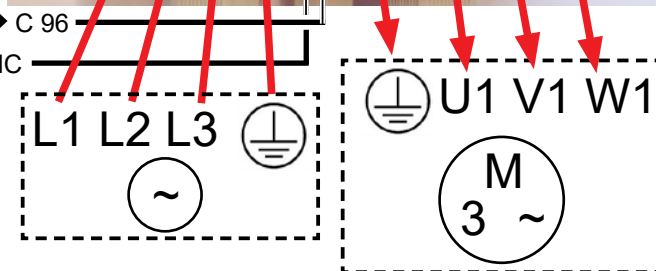
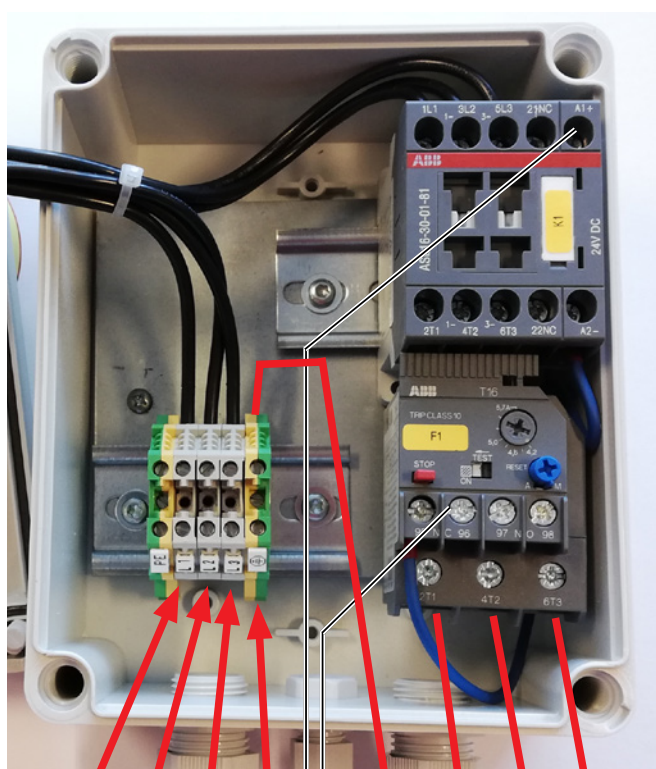


Den eksterne motors nominelle strømstyrke indstilles på termorelæets potentionmeter. Hvis den eksterne motor overbelastes, vil termorelæet koble ud, og skal genindkobles efter at fejlårsagen er undersøgt. Kongskilde anbefaler at den blå RESET knap sættes i position M (manuel). Hvis knappen anbringes i stilling A (automatik), vil termorelæet genindkoble automatisk, og de er derfor ikke mulighed for at overvåge hvornår udkoblingen finder sted.



Knappen TEST betjenes med skruetrækker med regelmæssige mellem, f.eks. hvert halve år. Efter udkobling, genindkobles på den blå RESET knap. Hvis relæet ikke kobler ud, er det defekt og skal udskiftes.

Afbyderen på låget af motorstyringen er en sikkerheds afbryder, der altid skal afbrydes før reparation og vedligeholdelse. Sikkerhedsafbryderen skal låses, så den eksterne motor, på f.eks. en cutter, ikke kan startes ved en fejltagelse.



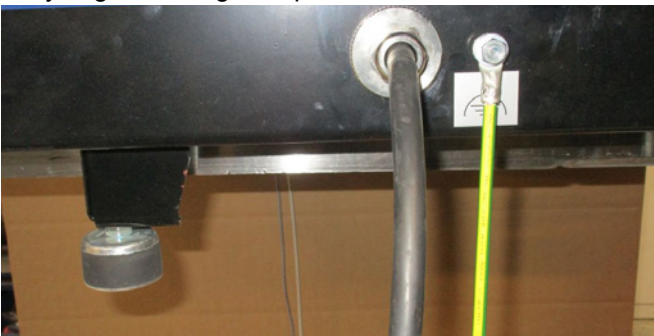
**Vigtigt:** Blæseren skal potentialudlignes via klemmen placeret til højre for forskruingen til forsyningskablet, nederst på blæserens bundramme (ved symbolet for potentialudligning).

**Forsynings- og potentialudligningskabel forbindes således:**

1 - Under blæserens motor sidder indsugningspanelet. De viste 4 stk. M6 skruer fjernes, panelet trækkes ned og lægges til side.



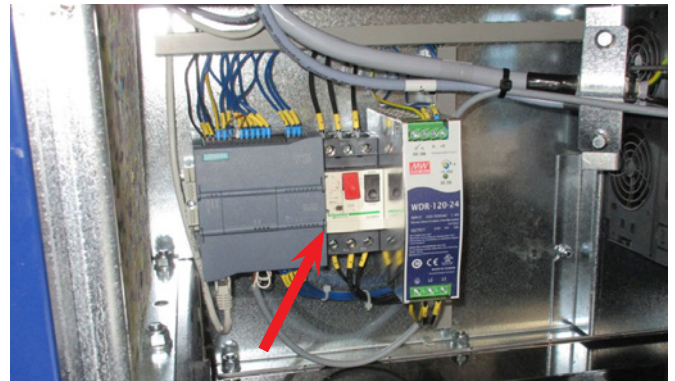
2 - Forsyningskablet føres gennem forskruingen i bundrammen på blæserens højre side (set fra motor-siden). Potentialudligningskablet monteres til højre for forsyningskablet og fastspændes.



3 - Forsyningskablet føres op i hovedafbryderen og forbindes i h.t. mærkningen. Ledningstykker skal anvendes. Kabelforskrningen i bundrammen spændes, og indsugningspanelet genmonteres med de 4 skruer.



Mellem PLC enheden og dennes 24V strømforsyning sidder en automatsikring, der beskytter PLC og operatørpanel. Denne leveres indkoblet, men kan koble ud ved overbelastning.



(Her vist med afmonteret indsugningspanel).

## Opsætning af blæseren (via operatørpanelet):

Blæseren kan efter installation og el tilslutning sættes op til den ønskede driftsform. Dette gøres på operatørpanelet.

Hvis man oplever problemer med betjening med fingerspidserne, kan man evt. anvende viskelæderet for enden af en blyant.

Menuen Setup giver adgang til opsætning af blæseren. Drift og opsætning af blæseren er beskyttet med 3 niveauer af brugere:

1. **Operator** - er ikke password beskyttet, og vil være enhver der har adgang til blæseren.

**Operator** har altid mulighed for at kunne:

- a) Ændre sprogvalg
- b) Se status
- c) Nulstille fejl

Hvis **Tech** har givet operatøren tilladelse, kan operatøren også:

- d) Vælge mellem Local og Remote kontrol af sætpunkt.

Ved Local kontrol kan blæseren startes og stoppes med betjeningsknapperne 1 og 2, og sætpunktet justeres med knapperne 3 og 4.

Har operatøren ikke tilladelse til at justere sætpunktet, vises knapperne Local og Remote ikke.

Har **Tech** valgt Local, kan operatøren starte og stoppe og justere sætpunktet (på Local displayet), men ikke skifte til Remote.

Har **Tech** valgt Remote, kan operatøren ikke starte, stoppe eller justere sætpunktet, dvs. betjeningsknapperne er inaktive.

2. **Tech** - er beskyttet med password. **Tech** tildeler hvilke rettigheder operatøren har til justering af blæserens drift. Formålet med **Tech** er at tildele operatøren de korrekte rettigheder. I tilfælde af, at **Operator** ikke har adgang til at justere sætpunktet, er det **Tech** som gør dette.

3. **Admin** - er beskyttet med password.

**Admin** opsætter blæserens drift form, herunder

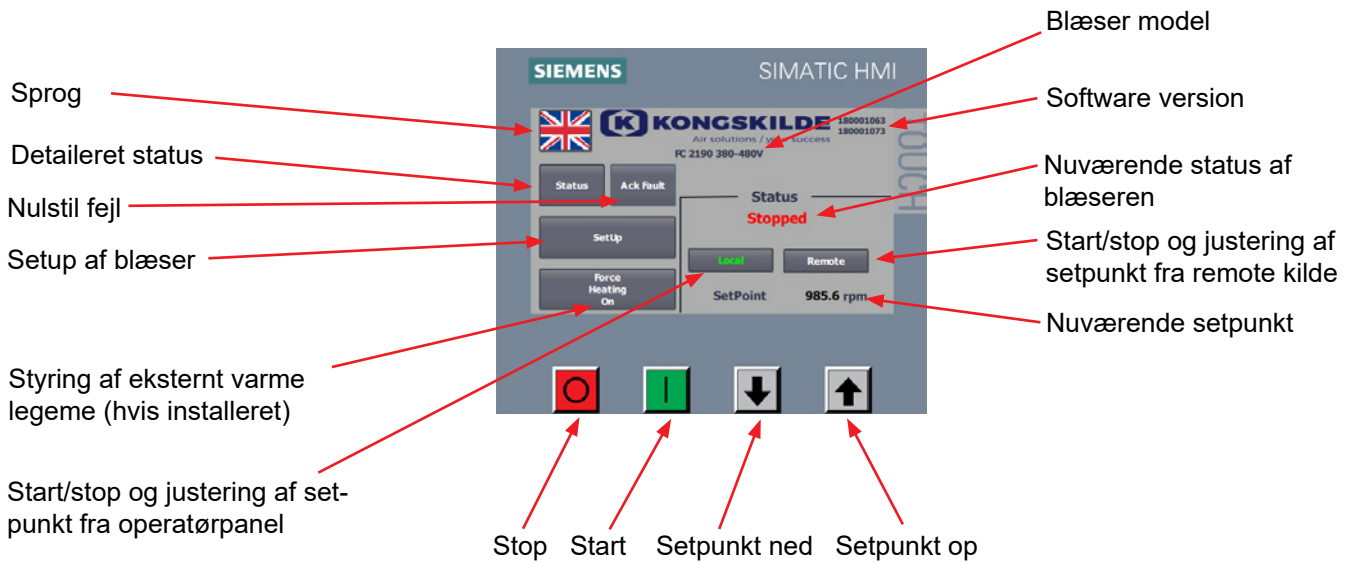
- hastighed, tryk eller flow regulering
- konfigurering af blæserens analoge og digitale ind- og udgange

Normalt vil **Admin** kun blive benyttet i forbindelse med blæserens installation.

NB - efter 5 minutters inaktivitet på operatørpanelet, logges **Tech** og **Admin** af. Der skal derfor logges på igen før yderligere opsætning kan foretages.

Operatørens rettighed for styring af blæseren (operatørens rettighed gives af user <b>Tech</b> eller <b>Admin</b> )					
Settings af Tech			Operator		
		Lokal / Remote	Start / Stop	Op / Ned	Lokal / Remote
Tillad manuel justering af setpunkt ved Lokal	Nej	Lokal	√	√	Ikke vist
Tillad manuel justering af setpunkt ved Remote	Nej	Remote	⊕	⊕	Ikke vist
Tillad manuel justering af setpunkt ved Lokal	Ja	Lokal	√	√	√
Tillad manuel justering af setpunkt ved Remote	Ja	Remote	√	√	√

### MAIN DISPLAY



### User Operator



I tilfælde af, at **Tech** har givet **Operator** rettighed til skift mellem Local og Remote, vil Main Display se sådan ud.

**Operator** kan:

- Starte og stoppe blæseren
- Justere setpunktet ned og op
- Skifte mellem Local og Remote styring af blæseren
- Vælge sprog
- Se detaljeret status
- Nulstille fejl



I tilfælde af, at **Tech** ikke har givet **Operator** rettighed til skift mellem Local og Remote, og valgt Local, vil Main Display se sådan ud.

**Operator** kan:

- Starte og stoppe blæseren
- Justere setpunktet ned og op
- Vælge sprog
- Se detaljeret status
- Nulstille fejl



I tilfælde af, at **Tech** ikke har givet **Operator** rettighed til skift mellem Local og Remote, og valgt Remote, vil Main Display se sådan ud.

**Operator** kan:

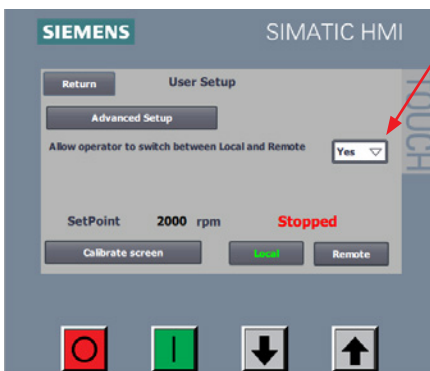
- Vælge sprog
- Se detaljeret status
- Nulstille fejl

### User Tech



**Tech** opsætter **Operator**'s rettigheder, i Setup menuen.

**Tech** vil blive bedt om login. Når logget ind som **Tech**, er det nu muligt at vælge om **Operator** skal have rettigheder til at justere sætpunktet. Vælg **Setup**



Følgende skærbillede kommer frem, og **Tech** kan give **Operator** rettighed til at skifte mellem Local og Remote, ved at vælge i rul ned menuen. Yes giver Operator tilladelse til at skifte mellem Local og Remote. No giver ikke Operator tilladelse til at skifte mellem Local og Remote.

Hvis blæseren ikke er forbundet til eksternt udstyr der kan styre blæseren, skal der vælges Nej i rul ned menuen.

Hvis Local vælges, kan **Operator** starte, stoppe og justere sætpunktet.

Hvis Remote vælges, kan **Operator** ikke betjene blæseren. Manuel justering af sætpunkt skal derfor foretages i menuen Setup af **Tech**.

Menuen Calibrate Screen giver mulighed for kalibrering af touch skærmen i tilfælde af, at dette skulle blive nødvendigt.

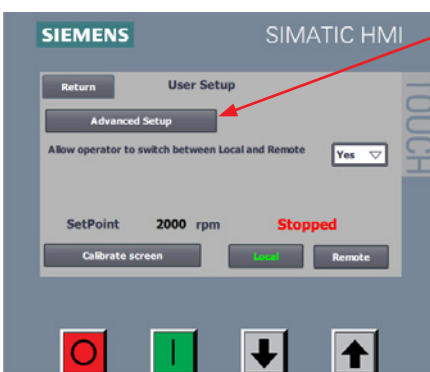


### User Admin

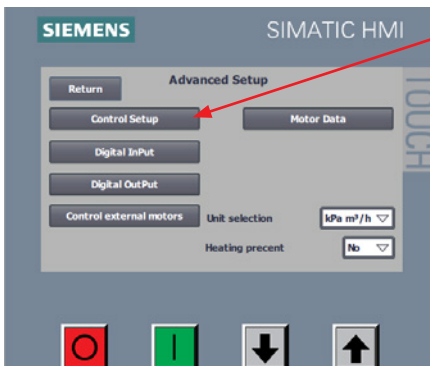
Setup af blæseren foretages af Admin, in menuen Control Setup, og gøres på følgende måde:  
Vælg login som **Admin**  
Vælg **Setup**



Vælg **Advanced Setup**



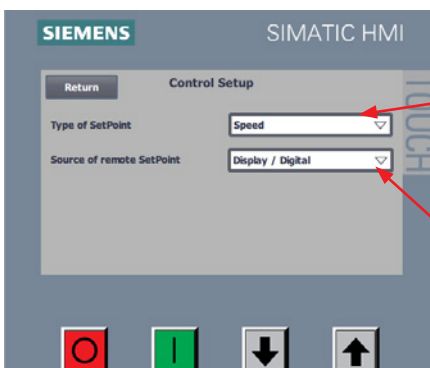
Vælg **Control Setup**



Det er nu muligt at vælge mellem 3 forskellige driftsformer (3 slags regulering):

- Speed* - simpel kontrol, hvor blæseren kører med fast omdrejningstal
- Pressure* - PID kontrol, hvor blæseren leverer et fast statisk tryk. Trykket måles via en tryktransducer forbundet til blæserens styring.
- Flow* - PID kontrol, hvor blæseren leverer en fast volumen flow. Flowet måles via en flowtransducer forbundet til blæserens styring.

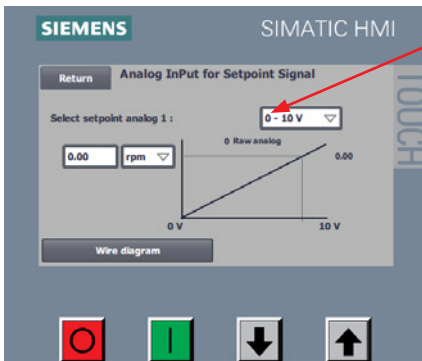
Derefter skal der vælges hvorfra setpunktet skal justeres. Det er muligt at justere setpunktet fra 3 forskellige steder; fra operatør panelet, via de digitale indgange, eller via en analog indgang på blæseren.



I **Source of remote Setpoint** kan der vælges mellem følgende 2 indstillinger:  
Display / Digital  
Analog

I tilfælde af, at sætpunktet skal justeres fra operatør panelet og/eller fra de digitale input, sæt **Source of Remote Set Point** til **Display / Digital**. Skal sætpunktet justeres via analog input, vælg **Analog**.

**Setup Feedback Sensor** vises ikke i tilfælde af, at justering fra **Speed** er valgt. Yderligere vises **Setup Analog SetPoint** ikke, hvis **Display / Digital** er valgt.



I **Setup Analog Setpoint** vælges hvilken type eksternt signal der sendes til blæserens styring. Der kan vælges mellem to typer:

- 0 – 10 V
- 4 - 20 mA

Husk at montere en modstand i blæserens klemrække i h.t. det valgte signal - se diagrammerne bagerst i dette kapitel.

I box 1 angives hvad det analoge signal repræsenterer, her kan vælges mellem følgende enheder:

1. **Rpm** - blæser justeret med fast omdrejningstal
2. **kPa** - blæser justeret i h.t. specifikt statisk tryk i kPa
3. **in WG** - blæser justeret i h.t. specifikt statisk tryk i tommer vandsøjle (inches water gauge)
4. **m<sup>3</sup>/h** - blæser justeret i h.t. specifikt flow i m<sup>3</sup> per time
5. **CFM** - blæser justeret i h.t. specifikt flow i cubic fod per min (ft<sup>3</sup>/m)

I box 2 angives den maksimale fysiske værdi af det analoge signal, her illustreret med nogle eksempler.

Eks. 1 - Følgende er valgt: Analog sætpunkt: 0 – 10 V og Unit i box 2: Rpm. Indsættes der værdien 4800 i box 2, betyder det, at når der tilføres 10 V på analog indgang 1, vil styringen benytte sætpunkt på 4800 rpm. Tilføres der kun 5 V på analog indgang 1, vil styringen benytte sætpunkt på 2400 rpm.

Eks. 2 - Følgende er valgt : Analog sætpoint: 4 – 20 mA og Unit i box 2: kPa.

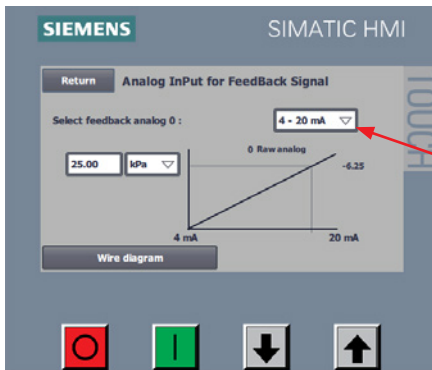
Indsættes der værdien 20 i box 2, betyder det, at når der tilføres 20 mA på analog indgang 1, vil styringen benytte set punkt på 20 kPa. Tilføres der kun 4 mA på analog indgang 1 vil styringen benytte set punkt på 0 kPa.

Eks. 3 - Følgende er valgt: Analog set point: 4 – 20 mA og Unit i box 2: CFM.

Indsættes der værdien 3500 i box 2, betyder det, at når der tilføres 20 mA på analog indgang 1, vil styringen benytte set punkt på 3500 CFM. Tilføres der kun 12 mA på analog indgang 1, vil styringen benytte set punkt på 1750 CFM.

Det anbefales at der benyttes en af følgende værdier, hvis blæseren skal udnyttes fuldt ud:

- 4800 Rpm
- 20 kPa
- 6000 m<sup>3</sup>/h
- 80 in WG
- 3500 CFM



Feedback signal skal specificeres for tryk og flow regulering, men der skal ikke specificeres et feedback signal for hastighedsregulering.  
Vælg **Setup Feedback Sensor**

I **Select Feedback Analog 0** vælges hvilken type signal der sendes fra transduceren. Der kan vælges mellem to typer:

- 0 - 10 V
- 4 - 20 mA (se diagrammet nederst i afsnittet)

I box 1 angives enheden af det analoge signal, her kan vælges mellem følgende enheder:

- kPa
- in WG

I box 2 angives den maksimale fysiske værdi af det analoge feedback signal, her illustreret med nogle eksempler (se også tidligere eksempel på tilslutning med Kongskilde tryk/flow kontrolenhed).

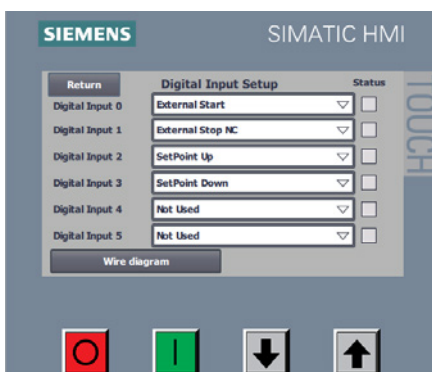
Eks. 1 - Følgende er valgt: Analog feedback 0: 0 – 10 V og Unit i box 1: kPa.

Indsættes der værdien 25 i felt 2, betyder det, at når der tilføres 10 V på analog indgang 0, vil styringen registrere et feedback signal på 25 kPa. Tilføres der kun 5 V på analog indgang 0, vil styringen registrere et feedback signal på 12,5 kPa.

Eks. 2 - Følgende er valgt: Analog feedback 0: 4 – 20 mA og Unit i box 1: in WG.

Indsættes der værdien 80 i felt 2, betyder det, at når der tilføres 20 mA på analog indgang 0, vil styringen registrere et feedback signal på 80 in WG. Tilføres der kun 4 mA på analog indgang 0, vil styringen registrere et feedback signal på 0 in WG.

I tilfælde af digital tilslutning, skal de digitale indgange defineres. Fra hovedmenuen vælges **Setup - Advanced Setup - Digital Input**



Her vælges **Digital input signal**, der er følgende valgmuligheder:

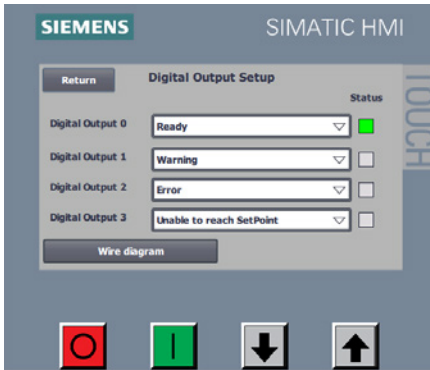
1. Not used
2. External start signal - hold
3. External start signal - pulse
4. External stop NC\*
5. SetPoint up
6. SetPoint down

Yderligere er der mulighed for at se det tilhørende ledningsdiagram under **Wire diagram**.

Hvis feltet i kolonnen **Status** er grøn, har styringen registreret det pågældende input.

\*: Ved remote styring - for at blæseren kan starte, skal eksternt stop være sluttet. Blæseren stopper når eksternt stop brydes.

De digital outputs skal defineres tilsvarende. Fra hovedmenuen vælges **Setup - Advanced Setup - Digital Output**



Her vælges **Digital output signal**, der er følgende valgmuligheder:

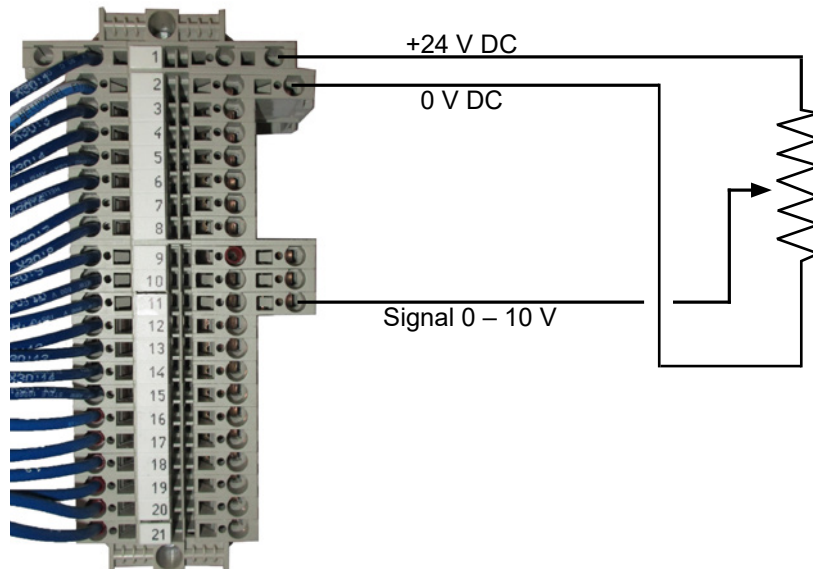
1. Not used
2. Ready
3. Warning
4. Error
5. Running
6. Start motor 1
7. Start motor 2
8. Start motor 3
9. Unable to reach SetPoint

Yderligere er der mulighed for at se det tilhørende ledningsdiagram under **Wire diagram**.

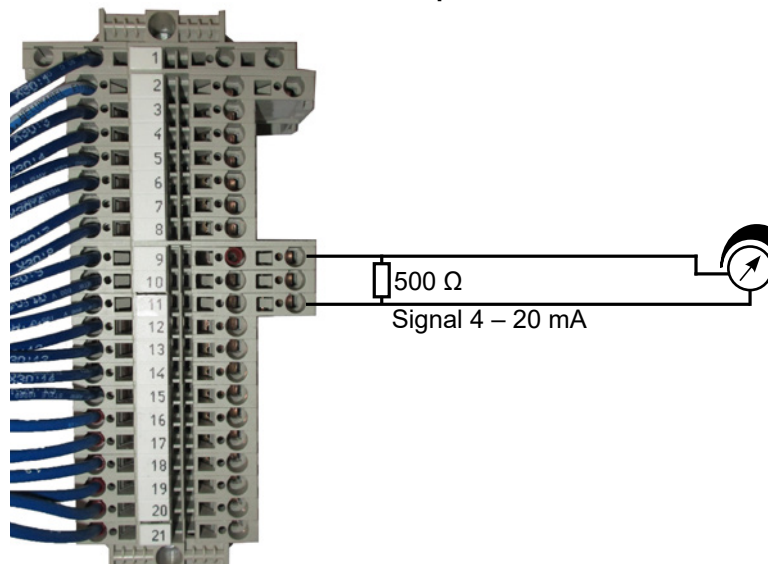
Hvis feltet i kolonnen **Status** er grøn, har styringen registreret det pågældende input.

Herunder er vist eksempler på tilslutningsdiagrammer:

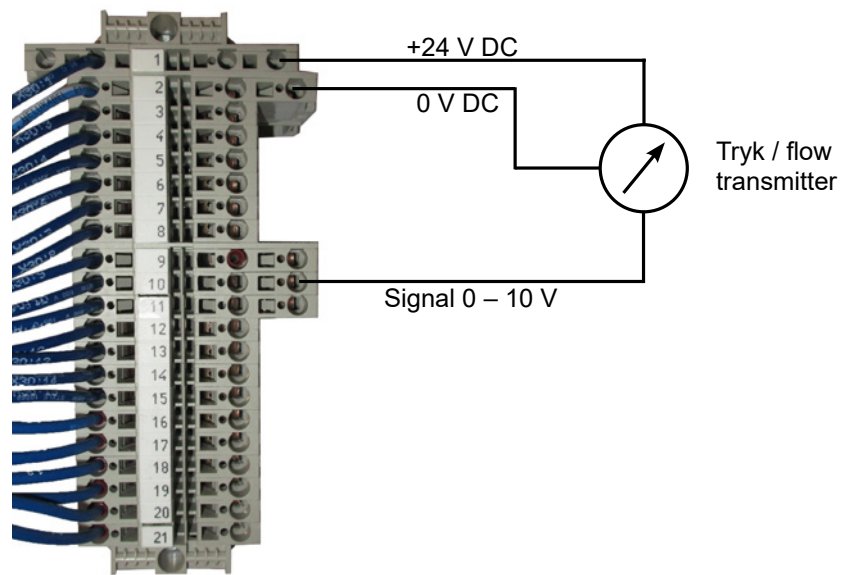
#### 0 – 10 V setpoint



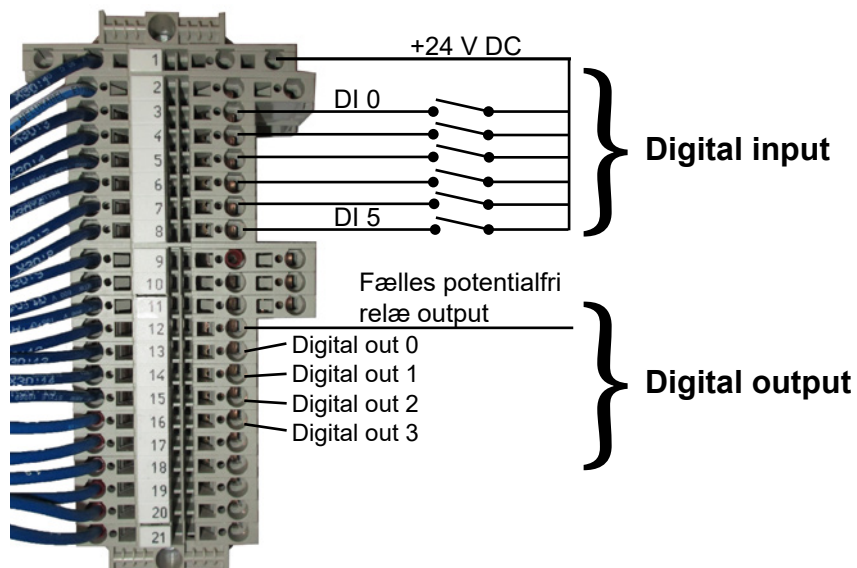
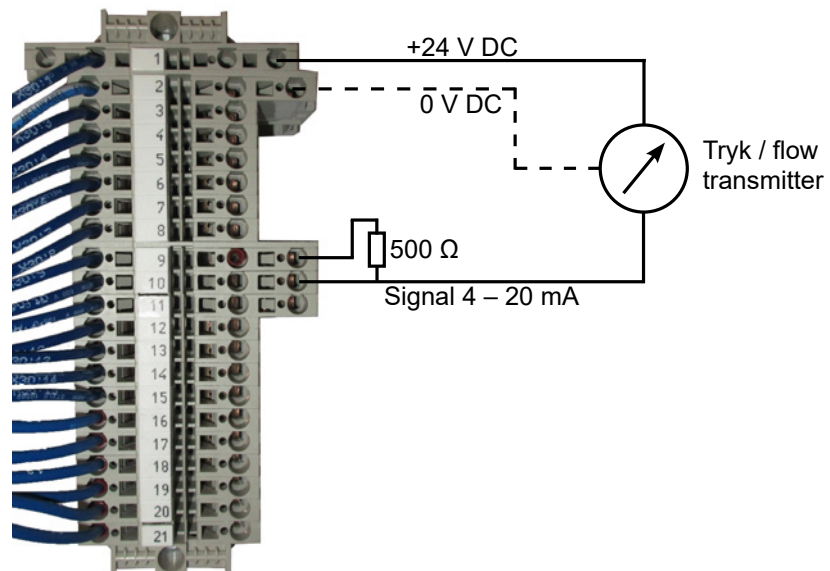
#### 4 – 20 mA setpoint

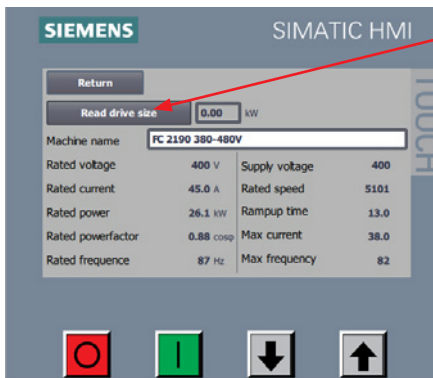


**0 – 10 V feedback**



**4 – 20 mA feedback**



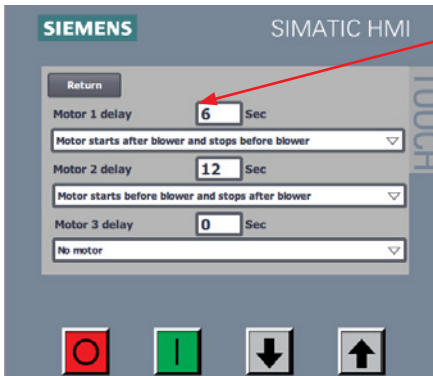


I tilfælde af udskiftning af frekvensomformereren, indlæses de nye data ved at vælge **Motor Data - Read Drive Size - Transfer to Drive**  
 I tilfælde af, at det ikke er muligt at indlæse de nye data, er frekvensomformereren ikke sat op til at kommunikere via USS bus forbindelsen.

**Styring af eksterne motorer**

Hvis man ønsker at starte eller stoppe eksternt udstyr (såsom cutter) før start eller stop af blæseren, er der mulighed for tidsforsinkelse.

Styringens digitale udgange giver mulighed for styring af op til 3 eksterne motorer.



Her indtastes forsinket start af ekstern motor (til f.eks. cutter). I øverste felt tages forsinkelse i sekunder, og i feltet derunder vælges om den eksterne motor skal startes/stoppes før eller efter blæserens start/stop.

*Opsætning af forsinkelse ved start/stop*

			Delay (x sek.)		Delay (x sek.)		
Start / stop blæser							
Motor starter efter blæser og stopper før blæser							
Motor starter før blæser og stopper efter blæser							
		Delay (y sek.)				Delay (y sek.)	

## Drift:

Ved hjælp af operatørpanelet (og evt. ekstern anlægsstyring) er det muligt at regulere blæserens omdrejningstal trinløst. Det er derfor muligt at tilpasse blæserens ydelse, så den passer præcist til det pågældende anlæg.

Reguleringen kan enten foretages manuelt eller automatisk via en tryk-/ flowtransmitter (ekstraudstyr). For at opnå energibesparelse, er det vigtigt ikke at køre med højere omdrejningstal end nødvendigt for at løse den pågældende opgave. Ydermere kan for højt omdrejningstal og dermed blæserydelse medføre beskadigelse af materialet som transporteres.

Efter opsætning og indkøring af blæseren, huskes set-punktet også selv om spændingen fjernes fra blæseren. Når blæseren er i drift og aktuel ydelse er i overensstemmelse med sætpunktet, vises den aktuelle værdi konstant. Hvis der ændres sætpunkt, vil blæseren automatisk justere ydelsen indenfor dens formåen.

**Start af blæser:** Tryk på startknappen (2). Når blæseren er i drift, vises "Running" i feltet Status.

**Stop af blæser:** Tryk på stopknappen (1). Når blæseren er stoppet, vises "Stopped" i feltet Status.

**Øge blæserydelsen:** Tryk på pil op tasten (3). Tasten kan holdes nede konstant for en større justering.

**Sænke blæserydelsen:** Tryk på pil ned tasten (4). Tasten kan holdes nede konstant for en større justering.

Hvis det ønskede sætpunkt ikke kan opnås, kan effektbegrænsningen være nået. Her vises "Unable to reach setpoint" på operatørpanelet.

Start og stop af blæseren under normal drift skal foretages på operatørpanelet eller ved input på blæserens digitale indgange. I tilfælde af, at hovedafbryderen udkobles og genindkobles før ½-1 minut efter udkobling, kan det være nødvendigt at nulstille en fejl ved tryk på "Ack Fault", hvorefter blæseren virker normalt igen. Blæseren bør derfor ikke stoppes med hovedafbryderen, men med Stop tasten på operatørpanelet.

## Service og vedligeholdelse:

Al service, vedligeholdelse og reparation skal udføres af sagkyndig eller instrueret person.

Motorens lejer er smurte fra fabrikken og kræver ikke yderligere smøring.

Blæsers rotor er monteret direkte på motorens aksel, der er derfor ikke lejer i selve blæseren.

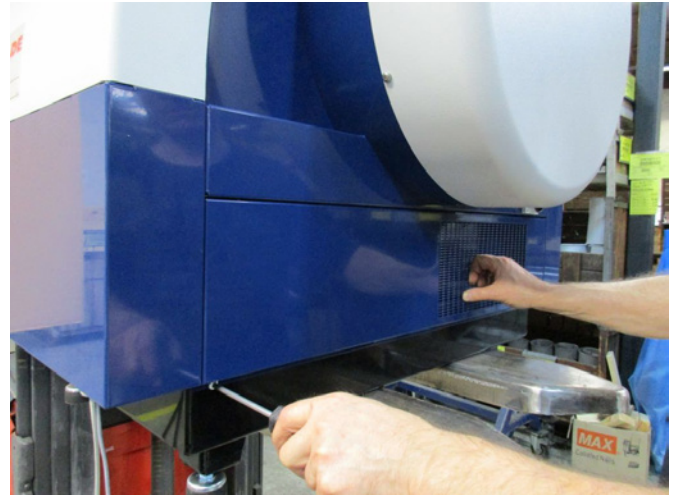
Sørg for at der altid er uhindret tilgang af køleluft til blæseren.

Blæseren er forsynet med et filter, der sidder monteret i indsugningspanelet under motoren. Dette filter skal rengøres eller udskiftes efter behov. Yderligere kan det være nødvendigt at rense gitteret ved indsugningsåb-

ningen, især hvis blæseren står monteret udendørs.

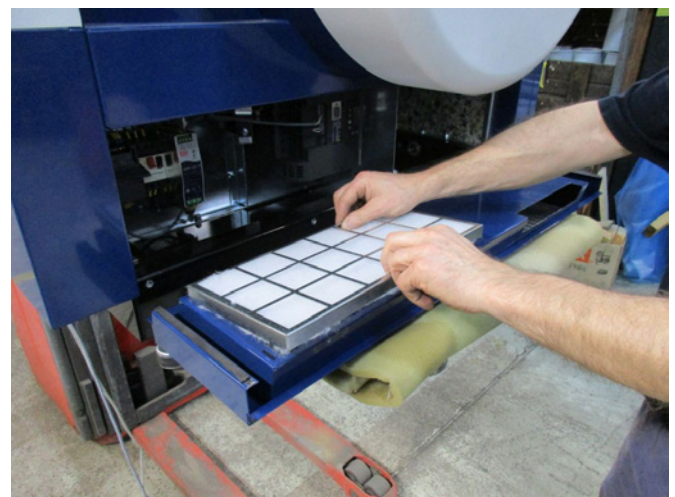
### Filteret kan efterses på følgende måde:

1 - De viste 4 stk. M6 skruer fjernes, panelet trækkes ned og lægges til side.



2 - Filterkassetten skrue løsnes, og kassetten trækkes fri af indsugningspanelet, og filteret tages ud. Filteret kan renses efter behov, med trykluft eller vand. Hvis der bruges vand, skal filteret tørre før isætning. Er filteret meget beskidt skal det udskiftes.

Sørg for at placere filteret korrekt ved isætning. Filterkassetten trykkes på plads og fastskrues, indsugningspanelet sættes tilbage, og de 4 skruer genmonteres.



En gang årligt skal følgende foretages:

- Synskontrol af alle afdækninger og rørtilslutninger for fastgørelse og tæthed.
- Kontrol af tilspænding på kabler og forbindelser
- Kontrol af frekvensomformerens køleblæser(e), herunder også evt. rensning for støv

Frekvensomformerer er forsynet med 2 køleblæsere, der kører så snart hovedafbryderen er tilsluttet. Forventet levetid for køleblæsere er ca. 4-6 år kontinuerlig drift, hvorefter de vil gå ned i omdrejningstal, og til sidst helt stoppe (se afsnit "Fejlfinding").

Køleblæserne bør udskiftes inden deres ydelse forringes væsentligt, for at sikre korrekt køling af frekvensomformereren.  
MultiAir blæseren skal opbevares tørt og i ikke korroderende atmosfære, ved temperatur mellem -20 og +55 grader celsius.

måneder, skal Kongskilde kontaktes førend blæserens forsyningsspænding tilsluttes igen. I modsat fald kan frekvensomformereren ødelægges, da den indeholder kondensatorer der skal gennemgå en opstartsprocedure.

**Vigtigt:** Hvis blæserens frekvensomformer har stået uden forsyningsspænding tilsluttet længere end i 12

## Fejlfinding:

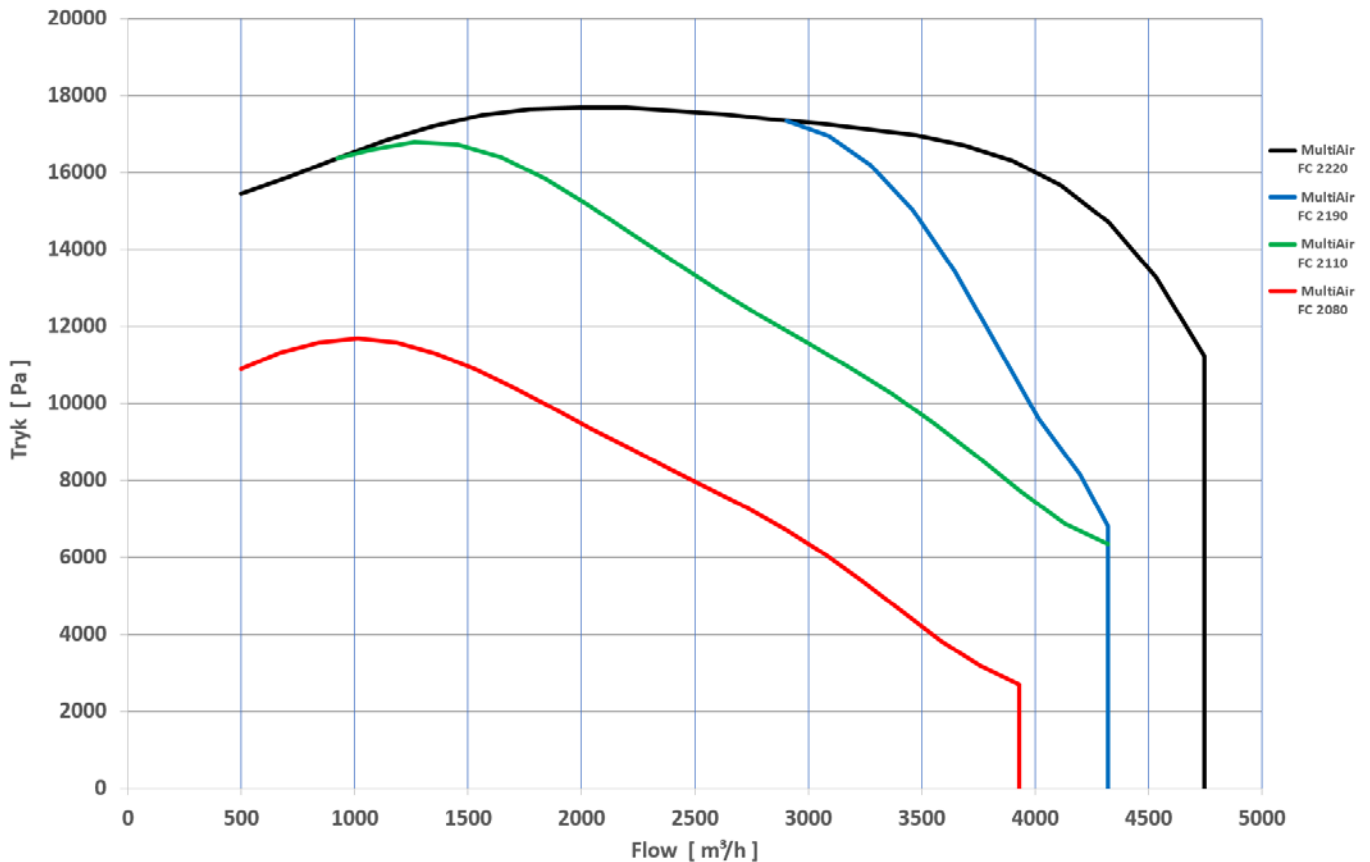
Fejl	Årsag	Afhjælpning
Ingen strøm på operatørpanelet	Manglende forsyningen af strøm eller afbrudt hovedafbryder i gavlen på blæseren.  Afbrudt automatsikring ved blæserens frekvensomformer	Kontroller at hovedforsyningen er tilsluttet og at hovedafbryderen i gavlen på blæseren er tilsluttet.  Automatsikringen genindkobles (se afsnit "El tilslutning")
Blæseren starter ikke når "Start" knappen betjenes	Blæseren er blevet afbrudt på hovedafbryderen, og hovedafbryderen er genindkoblet for hurtigt.  "Remote" er valgt på operatør panelet.  <b>Operator</b> har ikke rettighed til at betjene blæseren.  Digital input signal External Stop NC ikke valgt, og/eller tilsvarende forbundet i klemme X30.  Blæserens frekvensomformer ødelagt p.g.a. overspænding opstået via løse ledningsforbindelser eller vibrationer overført til blæseren fra underlaget eller det tilsluttede rørsystem	Nulstil fejl med "Ack Fault" på operatørpanelet.  Login som <b>Tech</b> eller <b>Admin</b> og skift til "Local" (om nødvendigt).  Login som <b>Tech</b> eller <b>Admin</b> og sæt korrekt rettighed for <b>Operator</b> (om nødvendigt).  Forbind stop til klemme X30 eller kontroller forbindelse. Vælg korrekt digital input på operatørpanelet.  Udskift frekvensomformer og spænd ledningsforbindelser forsvarligt. Kontroller for vibrationer og korrigerer i h.t. afsnit "Installation"
Blæseren stopper ikke når "Stop" knappen betjenes	"Remote" er valgt på operatør panelet.  <b>Operator</b> har ikke rettighed til at betjene blæseren	Login som <b>Tech</b> eller <b>Admin</b> og skift til "Local" (om nødvendigt).  Login som <b>Tech</b> eller <b>Admin</b> og sæt korrekt rettighed for <b>Operator</b> (om nødvendigt)
Blæseren kan ikke starte eller stoppe ved betjening fra digital input	"Local" er valgt på operatør panelet.  Det digitale input "External Stop NC" er ikke konfigureret korrekt	Login som <b>Tech</b> eller <b>Admin</b> og skift til "Remote" (om nødvendigt).  Kontroller at kredsen er sluttet (NC)
Ydelse kan ikke ændres ved tryk på "↓" og "↑" tasterne på operatør panelet	"Remote" er valgt på operatør panelet.  <b>Operator</b> har ikke rettighed til at betjene blæseren	Login som <b>Tech</b> eller <b>Admin</b> og skift til "Local" (om nødvendigt).  Login som <b>Tech</b> eller <b>Admin</b> og sæt korrekt rettighed for <b>Operator</b> (om nødvendigt)



<p>Ingen data vises på operatør panelet</p>	<p>Manglende forbindelse mellem frekvensomformereren og panelet (via Profinet forbindelsen). "USS com fault" vises under menuen <b>Status</b>.</p> <p>Frekvensomformer defekt.</p> <p>Manglende strømforsyning til panelet</p>	<p>Forbind eller udskift Ethernet kablet.</p> <p>Kontrollér om de er lys i frekvensomformerens display. Udskift frekvensomformer.</p> <p>Reparer 24VDC forsyningen</p>
<p>Blæser stoppet utilsigtet</p>	<p>Blæserens motor er overopvarmet, og er blevet afbrudt via PTC føleren</p>	<p>Lad motoren køle af og undersøg årsagen til overbelastningen</p>
<p>Uregelmæssig ydelse fra blæseren</p>	<p>Tryk- eller flow transmitter er ikke korrekt monteret i rørstreng og / eller ikke forbundet korrekt til blæseren.</p> <p>Blæserens frekvensomformereren har nået sin maksimalt tilladelige temperatur, og "Inverter overtemperature" vises på operatør panelet, under menuen <b>Status</b></p>	<p>Kontroller at tryk- eller flow transmitter er korrekt monteret i rørstreng (luftflow i pilens retning) og elektrisk forbundet korrekt til blæseren.</p> <p>Rens luftfilteret bag indsugningspanelet.</p> <p>Kontroller kølblæserne på frekvensomformereren.</p> <p>Hvis muligt, sænk omgivelsestemperaturen.</p> <p>Evt. reducer blæserens ydelse</p>
<p>Forringet ydelse fra blæseren</p>	<p>Blæserens frekvensomformereren har nået sin maksimalt tilladelige temperatur, og "Inverter overtemperature" vises på operatør panelet, under menuen <b>Status</b></p>	<p>Rens luftfilteret bag indsugningspanelet.</p> <p>Kontroller kølblæserne på frekvensomformereren (hvis blæserens ydelse reduceres, kan det skyldes overopheatet frekvensomformer).</p> <p>Hvis muligt, sænk omgivelsestemperaturen.</p> <p>Evt. reducer blæserens ydelse</p>
<p>Blæser kan ikke nå ønsket setpunkt, og "Unable to reach setpoint" vises på operatørpanelet</p>	<p>Blæserens ydelse er for lav til det pågældende system og setpunkt</p>	<p>Juster setpunktet ned til max. opnåelig ydelse.</p> <p>Tilpas systemet så blæseren kan levere den nødvendige ydelse.</p> <p>Vælg en blæser med højere ydelse</p>

I tvivlstilfælde, kontakt kvalificeret serviceteknikker eller Kongskildes service organisation.

## Ydelseskurver for MultiAir FC 2000 serien



MultiAir type	2080	2110	2190	2220
Nominal blæser effekt (kW)	7,5	11	18,5	22
El forsyning	380-480V, 50/60Hz			
Forsikring (Ampere)	25	40	50	63
Vægt (kg)	290	331	335	342
Opvarmning af luft ved 1.800 m³/h i °C	10	14	20	20
Omgivelsestemperatur	-10°C til 50°C			
Blæserstyring	Blæserens ydelse reguleres af indbygget frekvensomformer (VSD)			
Energieffektivitet $\eta_e$	64,2%	64,9%	67,4%	67,2%
Energieffektivitetsmetode og -type	B - total			
Effektivitetsklasse	N 64			
Volumenstrøm ved optimal energieffektivitet Q (m³/h)	2.560	3.175	3.275	3.475
Tryk ved optimal energieffektivitet $P_t$ (Pa)	7.800	10.950	16.200	16.950
Max. omdrejningstal for rotor (rpm)	4.800	4.800	4.800	4.800
Specifikt trykforhold mellem ind- og udløb	1,08	1,11	1,16	1,17
MultiAir FC kendetegn	Blæserens ydelse indstilles manuelt på operatørpanelet. Der kan tilkøbes flow- eller tryk kontrol for udvidet styring af blæseren			
Godkendelser	CE eller UL/CSA			
Lydtrykniveau $L_p$ (1 meter)	≈ 72-76 dB (A) (applikationsafhængigt)			

## EC Declaration of Conformity

Kongskilde Industries A/S,  
Skælskørvej 64, 4180 Sorø - DK  
Hereby declare that:

### *Kongskilde blowers type MultiAir FC/FCE 2000 series*

are designed and produced in conformity with the following EC-directives and regulations:

- Machinery Directive 2006/42/EC
- Electro Magnetic Compatibility Directive 2014/30/EC
- Regulation of Ecodesign for Electric Fans (EU) No 327/2011

## EG-Konformitätserklärung

Kongskilde Industries A/S,  
Skælskørvej 64, 4180 Sorø - DK  
Erklären hiermit, daß:

### *Kongskilde Gebläse Typ MultiAir FC/FCE 2000 series*

werden in Übereinstimmung mit den folgenden EG-Richtlinien und Verordnungen entwickelt und hergestellt:

- Maschinen-Richtlinie 2006/42/EG
- EMC-Richtlinie 2014/30/EG
- Ökodesign-Verordnung für elektrische Gebläse (EU) Nr. 327/2011

## Déclaration de conformité CE

Kongskilde Industries A/S,  
Skælskørvej 64, 4180 Sorø - DK  
Déclare par la présente que:

### *Kongskilde ventilateur type MultiAir FC/FCE 2000 series*

sont conçues et produites en conformité avec les directives et réglementations européennes suivantes :

- Directive sur les machines 2006/42/CE
- Directive sur la compatibilité électromagnétique 2014/30/CE
- Règlement sur l'écoconception des ventilateurs électriques (UE) n° 327/2011

## Declaración de conformidad CE

Kongskilde Industries A/S,  
Skælskørvej 64, 4180 Sorø - DK  
Por la presente declaro que:

### *Kongskilde ventiladores tipo MultiAir FC/FCE 2000 series*

están diseñados y fabricados de conformidad con las siguientes directivas y reglamentos de la CE:

- Directiva de Máquinas 2006/42/CE
- Directiva de Compatibilidad Electromagnética 2014/30/EC
- Reglamento de diseño ecológico para ventiladores eléctricos (UE) n° 327/2011

## Deklaracja Zgodności WE

Kongskilde Industries A/S  
Skælskørvej 64, 4180 Sorø - DK  
Niniejszym deklaruje, że:

### *Kongskilde dmuchawy typu MultiAir FC/FCE 2000 series*

zostały zaprojektowane i wyprodukowane zgodnie z następującymi dyrektywami i przepisami WE:

- Dyrektywa maszynowa 2006/42/WE
- Dyrektywa w sprawie kompatybilności elektromagnetycznej 2014/30/WE
- Rozporządzenie w sprawie ekoprojektu dla dmuchaw elektrycznych (UE) nr 327/2011

## EF-overensstemmelseserklæring

Kongskilde Industries A/S,  
Skælskørvej 64, 4180 Sorø - DK  
Erklærer hermed, at:

### *Kongskilde blæsere type MultiAir FC/FCE 2000 series*

er designet og produceret i overensstemmelse med følgende EU direktiver og bestemmelser:

- Maskindirektivet 2006/42/EC
- Direktiv om elektromagnetisk kompatibilitet 2014/30/EF
- Forordning om miljøvenligt design af elektriske blæsere (EU) nr. 327/2011

## Dichiarazione CE di conformità

Kongskilde Industries A/S,  
Skælskørvej 64, 4180 Sorø - DK  
Con la presente si dichiara che:

### *I ventilatori Kongskilde nei modelli da MultiAir FC/FCE 2000 series*

sono progettati e prodotti in conformità alle seguenti direttive e regolamenti CE:

- Direttiva Macchine 2006/42/CE
- Direttiva sulla compatibilità elettromagnetica 2014/30/CE
- Regolamento di progettazione ecocompatibile dei ventilatori elettrici (UE) n. 327/2011

## EG Verklaring van Overeenstemming

Kongskilde Industries A/S,  
Skælskørvej 64, 4180 Sorø - DK  
Verklaren hierbij dat:

### *Kongskilde blowers type MultiAir FC/FCE 2000 series*

zijn ontworpen en geproduceerd in overeenstemming met de volgende EG-richtlijnen en verordeningen:

- Machinerichtlijn 2006/42/EG
- Richtlijn Elektromagnetische Compatibiliteit 2014/30/EG
- Verordening inzake ecologisch ontwerp voor elektrische blowers (EU) nr. 327/2011

## EG-försäkran om överensstämmelse

Kongskilde Industries A/S,  
Skælskørvej 64, 4180 Sorø - DK  
Härmed försäkras att:

### *Kongskildes fläktar typ MultiAir FC/FCE 2000 series*

är konstruerade och tillverkade i enlighet med följande EG-direktiv och förordningar:

- Maskindirektivet 2006/42/EG
- Direktiv om elektromagnetisk kompatibilitet 2014/30/EG
- Förordning om ekodesign för elektriska fläktar (EU) nr 327/2011

Kongskilde Industries A/S  
Sorø 01.01.2025



Frank Jacobsen  
CEO

**Kongskilde Industries A/S**

Skælskørvej 64

DK - 4180 Sorø

Tel. +45 72 17 60 00

[mail@kongskilde-industries.com](mailto:mail@kongskilde-industries.com)

[www.kongskilde-industries.com](http://www.kongskilde-industries.com)