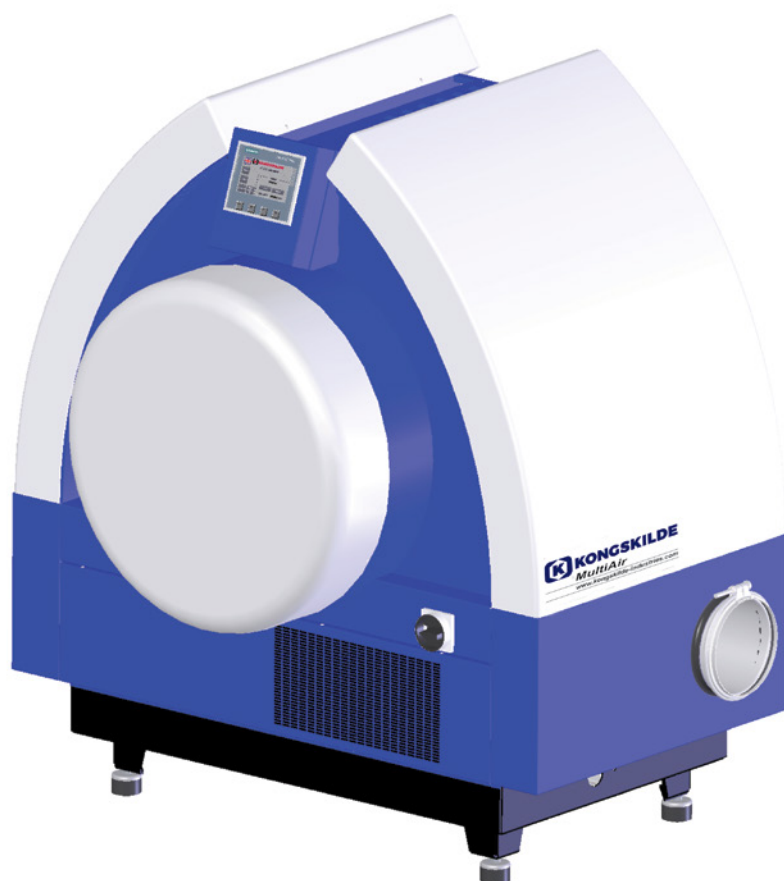


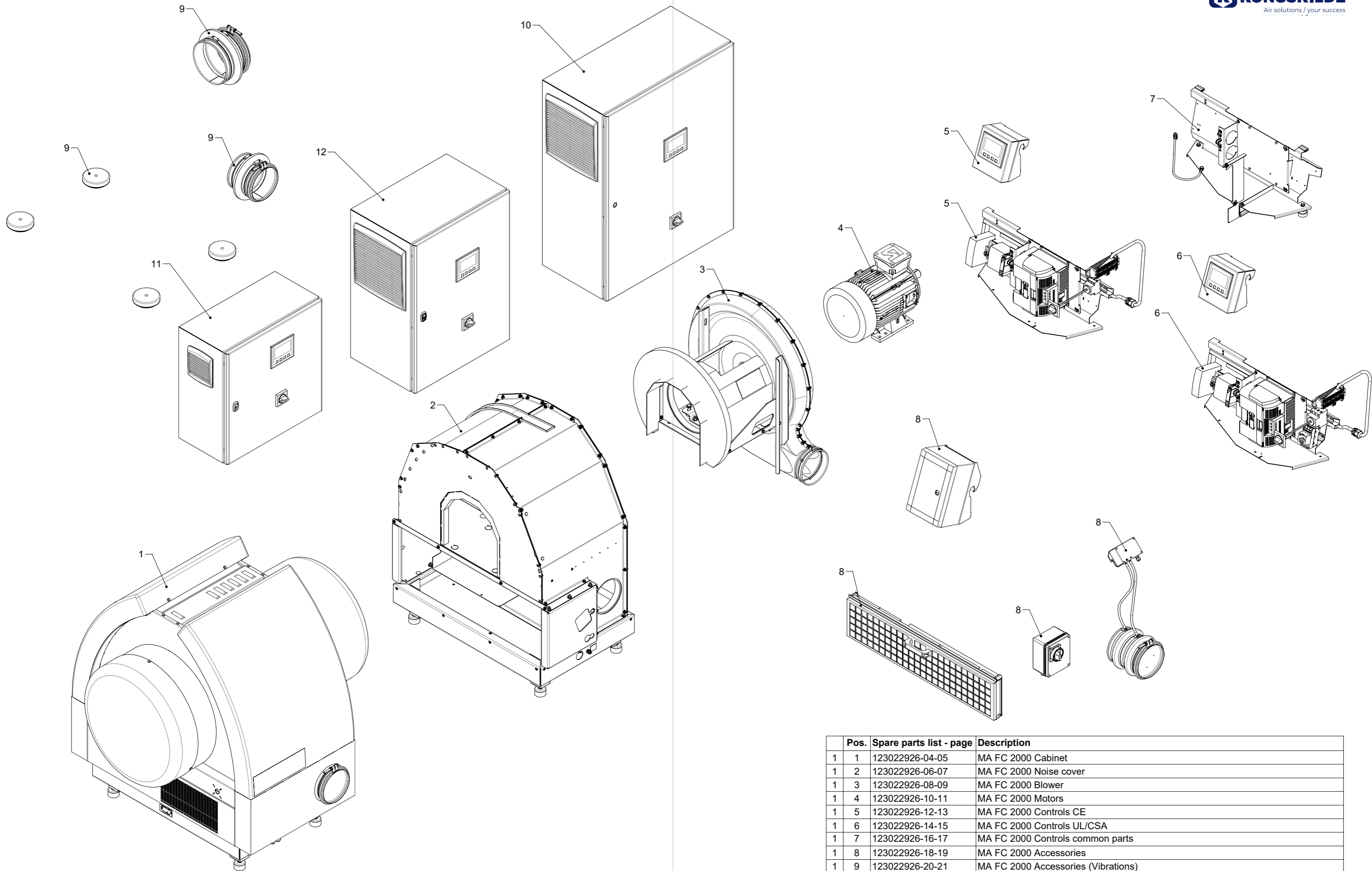
# **MultiAir FC/FCE 2000**

High pressure blower

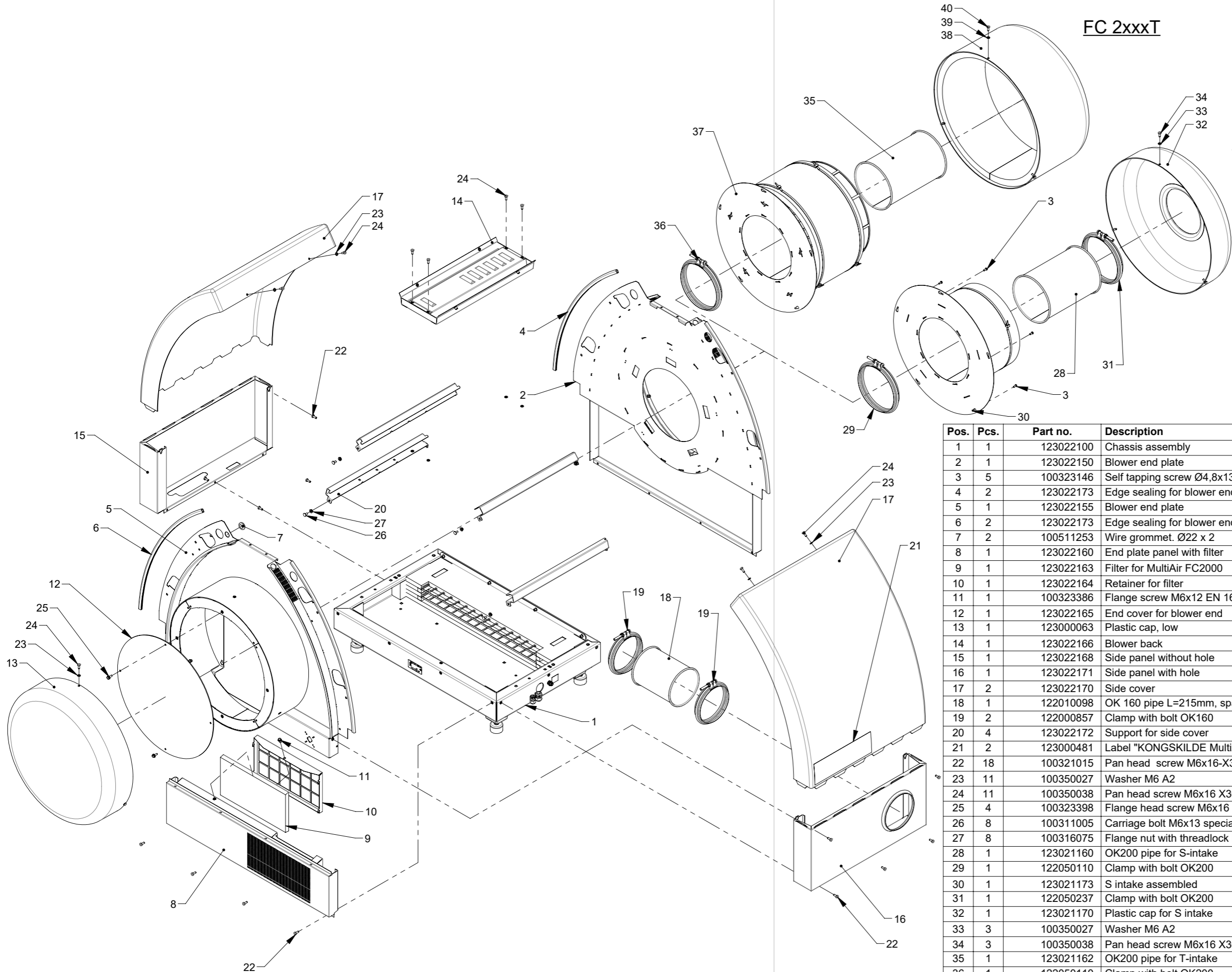


Spare parts list

(sales no. 123022508 - 123022509 and 123022540 - 123022547 and  
123022550 - 123022557 and 123022560 - 123022567)



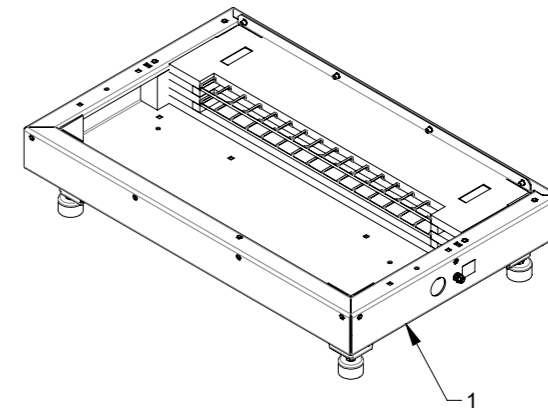
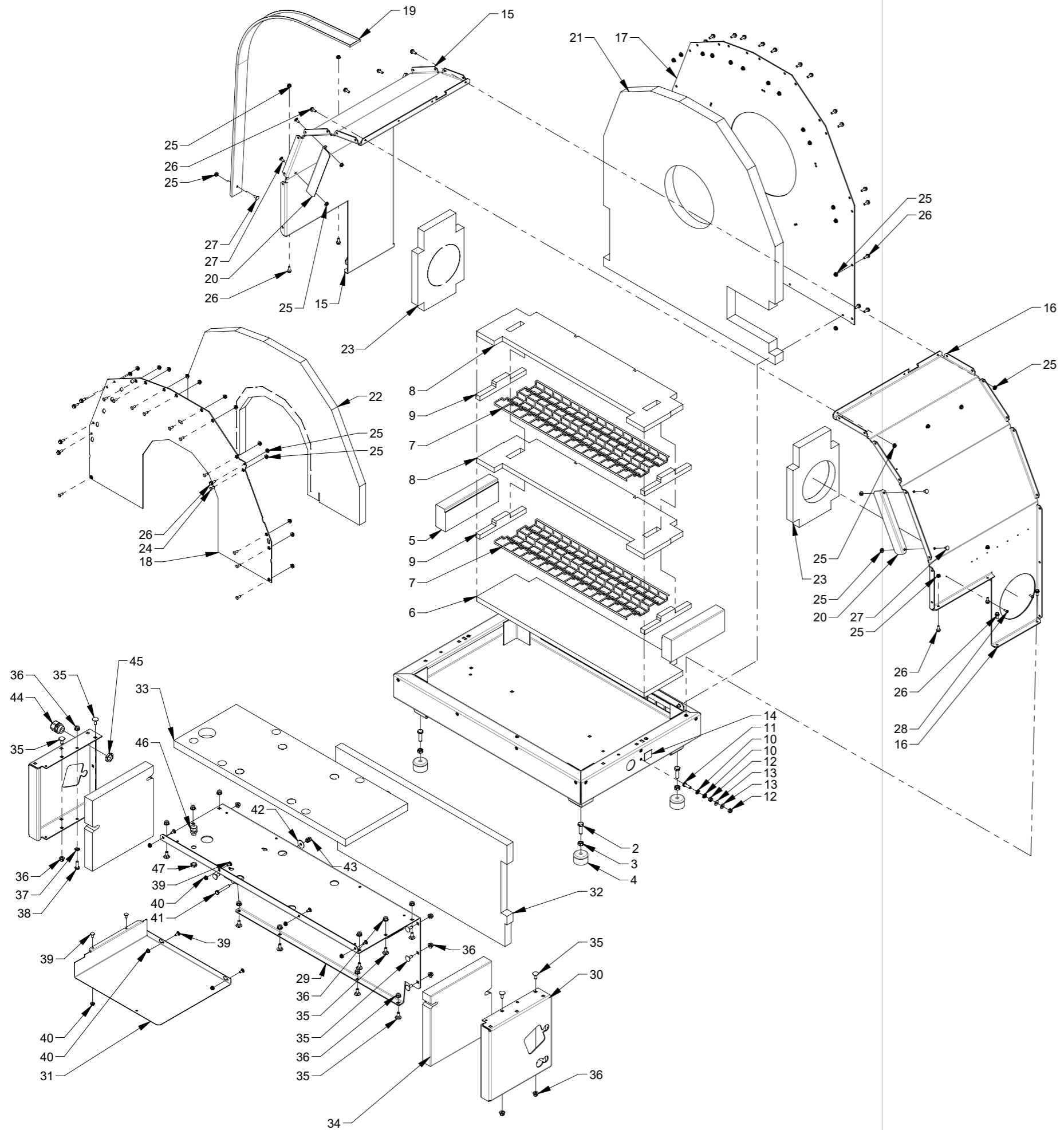
Pos.	Spare parts list - page	Description
1	1 123022926-04-05	MA FC 2000 Cabinet
1	2 123022926-06-07	MA FC 2000 Noise cover
1	3 123022926-08-09	MA FC 2000 Blower
1	4 123022926-10-11	MA FC 2000 Motors
1	5 123022926-12-13	MA FC 2000 Controls CE
1	6 123022926-14-15	MA FC 2000 Controls UL/CSA
1	7 123022926-16-17	MA FC 2000 Controls common parts
1	8 123022926-18-19	MA FC 2000 Accessories
1	9 123022926-20-21	MA FC 2000 Accessories (Vibrations)
1	10 123022926-22-23	MA FCE 2160 Control CE
1	11 123022926-24-25	MA FCE 2080 Control CE
1	12 123022926-26-27	MA FCE 2190 Control CE



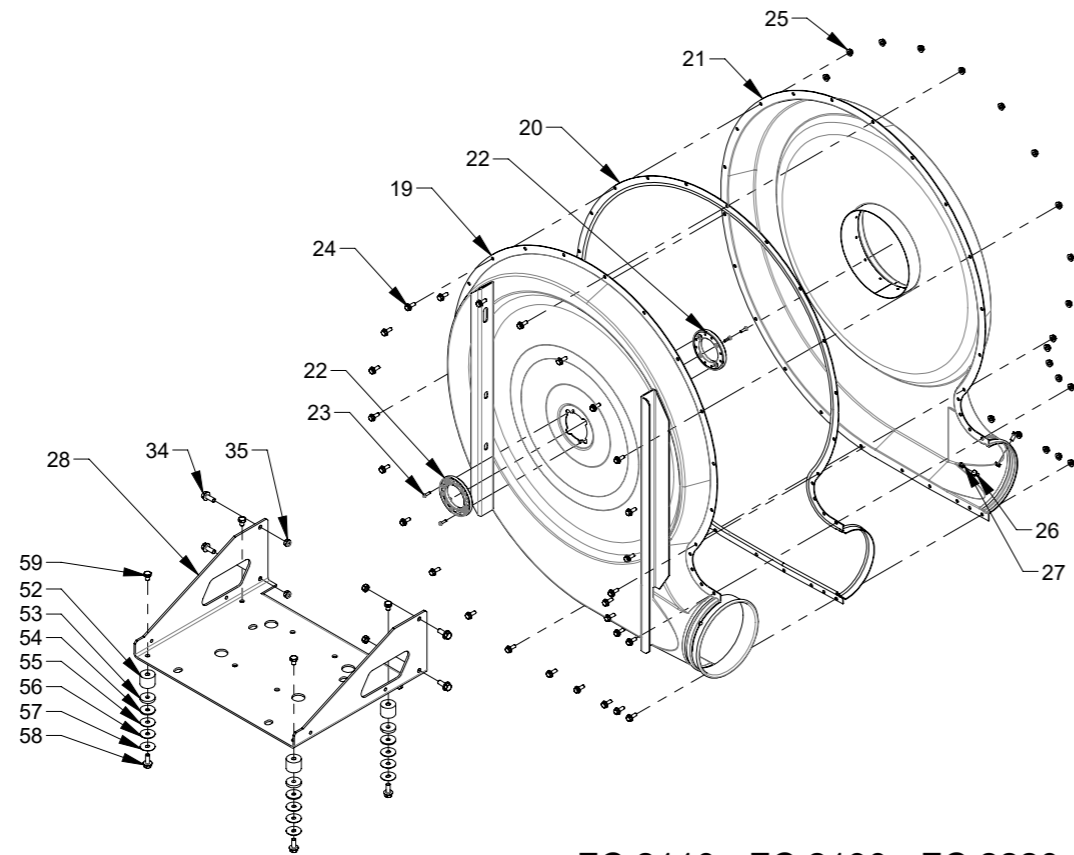
**FC 2xxxT**

**FC 2xxxS**

Pos.	Pcs.	Part no.	Description
1	1	123022100	Chassis assembly
2	1	123022150	Blower end plate
3	5	100323146	Self tapping screw Ø4,8x13 panhead, torx, DIN 7981B
4	2	123022173	Edge sealing for blower end
5	1	123022155	Blower end plate
6	2	123022173	Edge sealing for blower end
7	2	100511253	Wire grommet. Ø22 x 2
8	1	123022160	End plate panel with filter
9	1	123022163	Filter for MultiAir FC2000
10	1	123022164	Retainer for filter
11	1	100323386	Flange screw M6x12 EN 1665
12	1	123022165	End cover for blower end
13	1	123000063	Plastic cap, low
14	1	123022166	Blower back
15	1	123022168	Side panel without hole
16	1	123022171	Side panel with hole
17	2	123022170	Side cover
18	1	122010098	OK 160 pipe L=215mm, spaceblue
19	2	122000857	Clamp with bolt OK160
20	4	123022172	Support for side cover
21	2	123000481	Label "KONGSKILDE MultiAir", blue/black on transparent
22	18	100321015	Pan head screw M6x16-X30 ISO 14583 elgalv
23	11	100350027	Washer M6 A2
24	11	100350038	Pan head screw M6x16 X30 stainless ISO 14583
25	4	100323398	Flange head screw M6x16 EN 1665, elgalvanized
26	8	100311005	Carriage bolt M6x13 special
27	8	100316075	Flange nut with threadlock M6 DIN 6927
28	1	123021160	OK200 pipe for S-intake
29	1	122050110	Clamp with bolt OK200
30	1	123021173	S intake assembled
31	1	122050237	Clamp with bolt OK200
32	1	123021170	Plastic cap for S intake
33	3	100350027	Washer M6 A2
34	3	100350038	Pan head screw M6x16 X30 stainless ISO 14583
35	1	123021162	OK200 pipe for T-intake
36	1	122050110	Clamp with bolt OK200
37	1	123021175	T intake assembled
38	1	123021172	Plastic cap for T/TR intake
39	3	100350027	Washer M6 A2
40	3	100350038	Pan head screw M6x16 X30 stainless ISO 14583

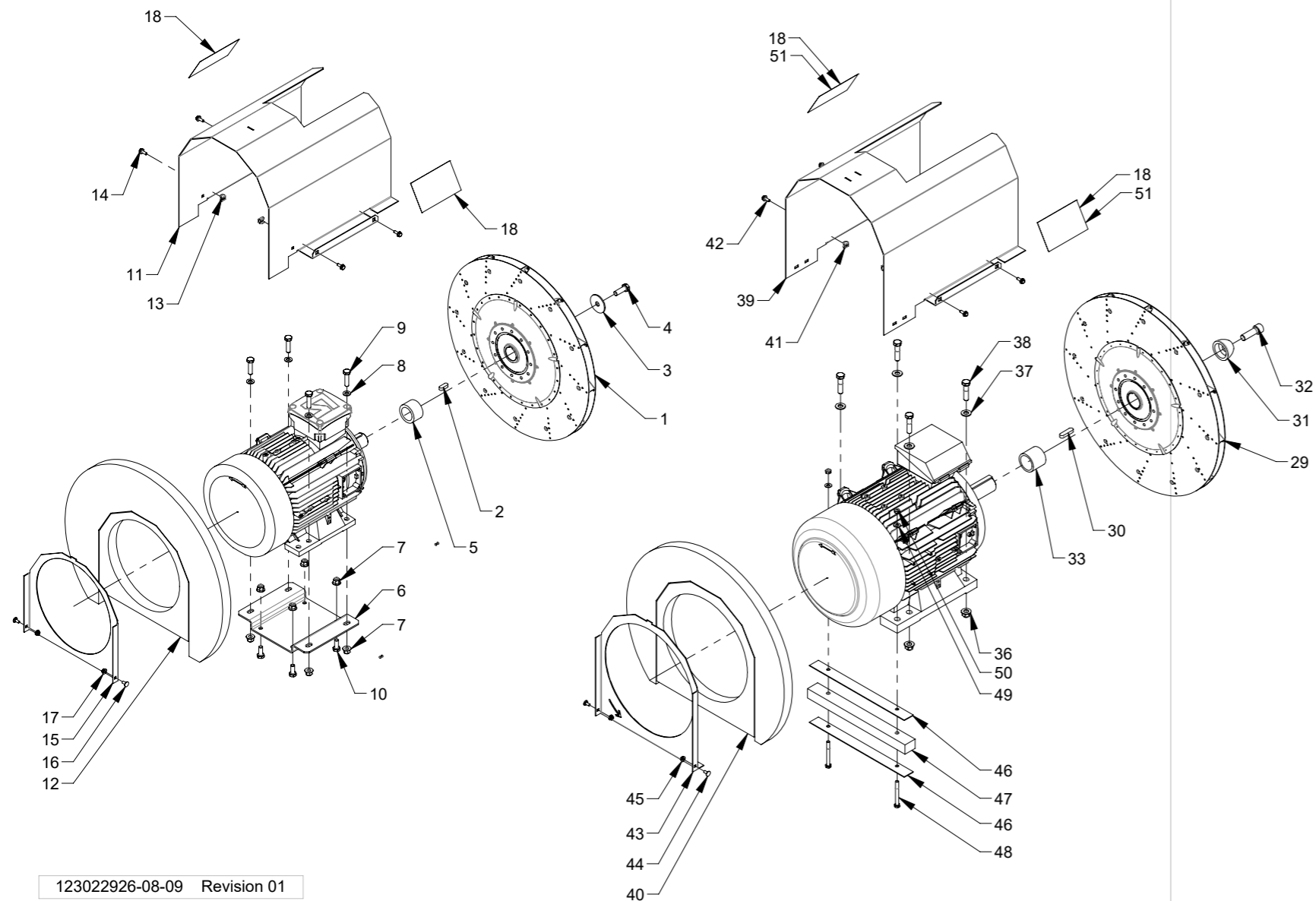


Pos.	Pieces	Part no.	Notes
1	1	123022100	Chassis assembly
2	4	100304024	Set screw M10x35mm DIN 933, elgalvanized
3	4	100315013	M10 DIN 934
4	4	100323329	Vibration damper Ø50x35
5	2	123022107	Side insulation for rack
6	1	123022104	Bottom insulation for rack
7	2	123022109	Distance plate for noise lock
8	2	123022105	Insulation for noise lock
9	4	123022106	Side insulation for noise lock
10	2	100332023	Contact washer M8
11	1	100308002	Set screw M8x25 DIN 933
12	2	100315012	Nut M8 DIN 934
13	2	100331005	Washer M8 DIN 125 A
14	1	123020322	Label "Ground potential equalization", black on silver
15	1	123022135	Noise shield A bent
16	1	123022136	Noise shield B bent
17	1	123022137	Noise shield C bent
18	1	123022138	
19	1	123022139	
20	2	123022140	
21	1	123022141	
22	1	123022142	
23	2	123022143	
24	12	100321059	M6x16 ISO 1458
25	48	100316075	Flange nut with threadlock M6 DIN 6927
26	39	100323398	Flange head screw M6x16 EN 1665, elgalvanized
27	5	100311005	Carriage bolt M6x13 special
28	2	100323146	Self tapping screw Ø4,8x13 panhead, torx, DIN 7981B
29	1	123022276	
30	2	123022207	
31	1	123022208	
32	1	123022209	
33	1	123022210	
34	2	123022211	Insulation for side of controlbox
35	20	100311040	Carriage bolt M8x20 DIN 603 St. 8.8
36	21	100316093	M8 DIN 6926
37	1	100332023	Contact washer M8
38	1	100308002	Set screw M8x25 DIN 933
39	10	100311005	Carriage bolt M6x13 special
40	10	100316097	Flange nut M6 with serration DIN 6923
41	1	100308058	M8x55 DIN 933
42	1	123022223	Spacer Ø30/Ø8 x 1,0mm
43	2	100315012	Nut M8 DIN 934
44	1	100511182	Cable screw gland M25x1,5 plastic
45	1	100511191	Nut M25 x 1,5 plastic
46	1	100511244	Cable screw gland M16x1,5
47	1	100511245	Nut M16X1,5 plastic



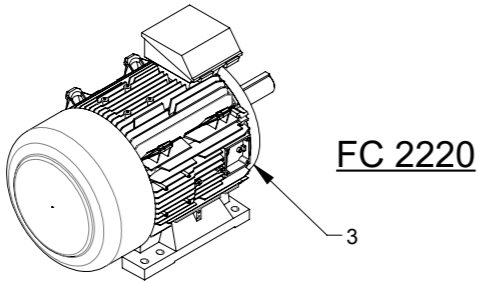
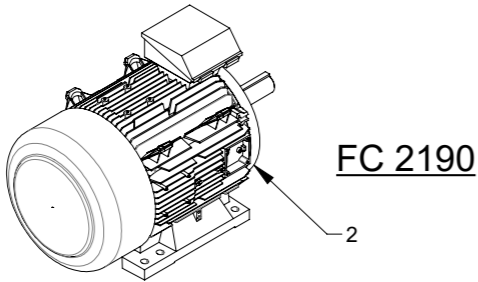
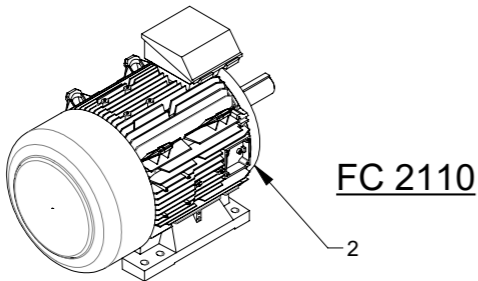
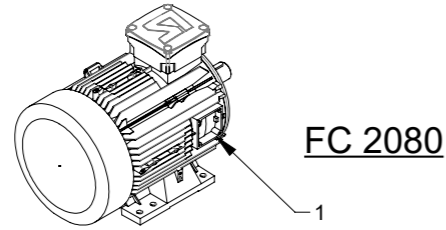
**FC 2080**

**FC 2110 - FC 2190 - FC 2220**



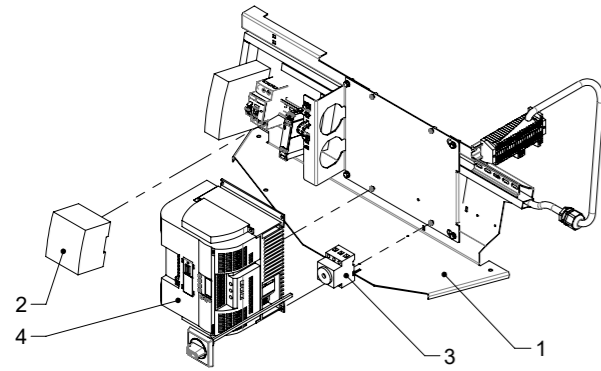
Pos.	Pcs.	Part no.	Description
1	1	123021232	
2	1	100405045	KEY A10x8x28 DIN 6885
3	1	121000071	
4	1	100304033	Set screw M12x35 DIN 933
5	1	123021233	
6	1	123022114	
7	8	100316100	Flange nut M10, elgalvanized
8	4	100331006	Washer M10 DIN 125 A
9	4	100308037	Screw M10x40 DIN 933
10	4	100306029	Set screw M10 x 25mm DIN 933, elgalvanized
11	1	123022127	
12	1	123022317	Insulation for intake to engine IEC 132
13	4	100323302	Cage nuts M6
14	4	100323398	Flange head screw M6x16 EN 1665, elgalvanized
15	1	123022132	Support for motor insulation IEC 132
16	2	100311005	Carriage bolt M6x13 special
17	2	100316075	Flange nut with threadlock M6 DIN 6927
18	2	123022918	Transfer "MA FC 2080+2110 motor connection diagram", white
19	1	123022111	Blower house side for motor
20	1	123021113	
21	1	123000129	
22	2	123021114	Sealing ring for shaft
23	4	100350070	Screw DELTA PT 40x14-20IP A2
24	27	100323398	Flange head screw M6x16 EN 1665, elgalvanized
25	27	100316075	Flange nut with threadlock M6 DIN 6927
26	2	100308018	Set screw M6x12 DIN 933 elgalvanized
27	2	100315028	M6 DIN 934
28	1	123022115	Motor console for motor IEC 160
29	1	123021115	Rotort Ø570/Ø42
30	1	100405046	KEY A12x8x45 DIN 6885
31	1	123022118	
32	1	100309033	M16x50 DIN 912
33	1	123022117	
34	4	100323380	Flange set screw M8 x 20mm DIN 6921, elgalvanized
35	4	100316003	Self locking nut M8 DIN 985-6, elgalvanized
36	4	100316103	Flange nut with threadlock M12 DIN 6926 elgv
37	4	100331016	Washer 7/16"
38	4	100306046	M12x50 DIN931
39	1	123022128	Motor Screen for motor IEC 160
40	1	123022318	Insulation for intake to motor IEC 160
41	4	100323302	Cage nuts M6
42	4	100323398	Flange head screw M6x16 EN 1665, elgalvanized
43	1	123022129	Support for motor insulation IEC 160
44	2	100311005	Carriage bolt M6x13 special
45	2	100316075	Flange nut with threadlock M6 DIN 6927
46	2	123022147	
47	1	123022148	
48	2	100323145	M8x75 DIN 931
49	2	100331005	Washer M8 DIN 125 A
50	2	100316003	Self locking nut M8 DIN 985-6, elgalvanized
51	2	123022919	Transfer "MA FC 2190+2220 motor connection diagram", white
52	4	100323414	Vibrations damper Ø30x25
53	4	123022226	Spacer Ø30/Ø8 x 5,0mm
54	4	123022225	Spacer Ø30/Ø8 x 2,5mm
55	4	123022224	Spacer Ø30/Ø8 x 1,25mm
56	4	123022223	Spacer Ø30/Ø8 x 1,0mm
57	4	123022222	Spacer Ø30/Ø8 x 0,63mm
58	4	100323380	Flange set screw M8 x 20mm DIN 6921, elgalvanized
59	4	100304009	Set screw M8 x 10mm DIN 933, elgalvanized

380-480V 50/60Hz

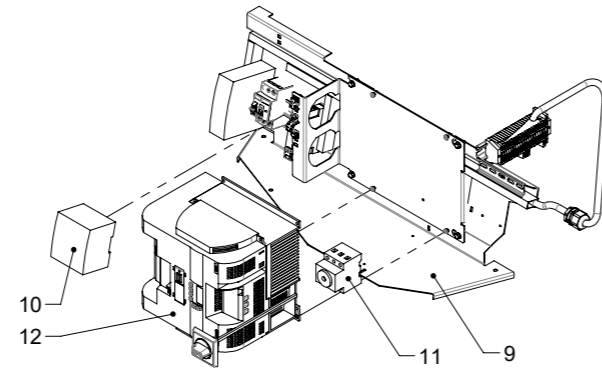


Pos.	Pcs.	Part no.	Description
1	1	100501343	AC Motor 132S-2p B3 7,5(13)kW 3x230/400(400)V 50(87)Hz IE3 UL/CSA PTC
2	2	100501344	AC Motor 160M-2p B3 15(26)kW 3x230/400(400)V 50(87)Hz IE3 UL/CSA PTC
3	1	100501345	AC Motor 160L-2p B3 18,5(32)kW 3x230/400(400)V 50(87)Hz IE3 UL/CSA PTC

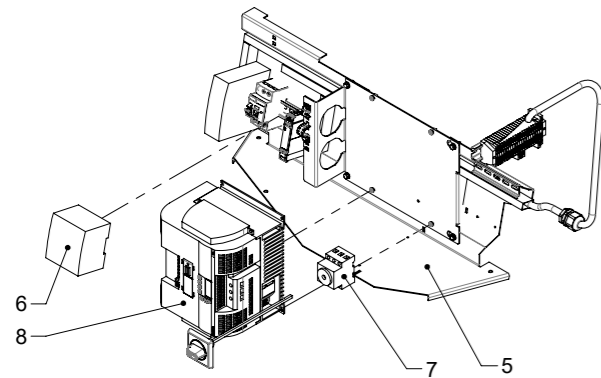
**FC 2080 CE**



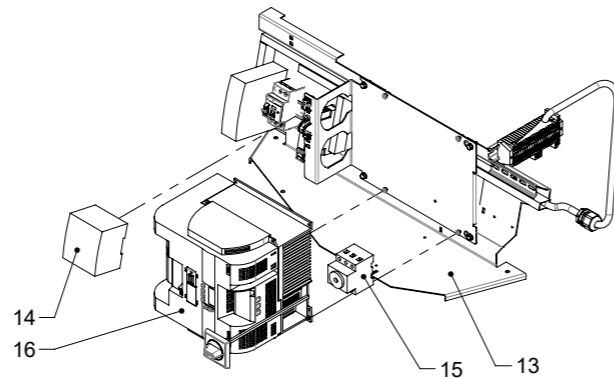
**FC 2190 CE**



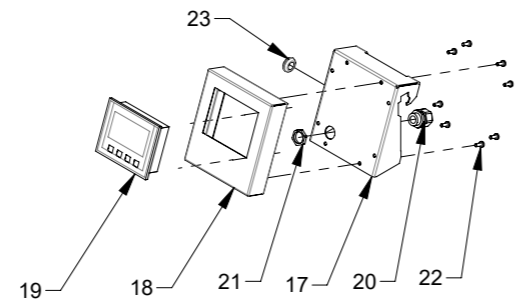
**FC 2110 CE**



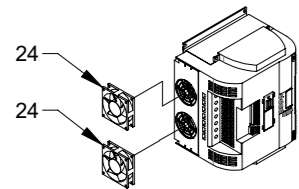
**FC 2220 CE**



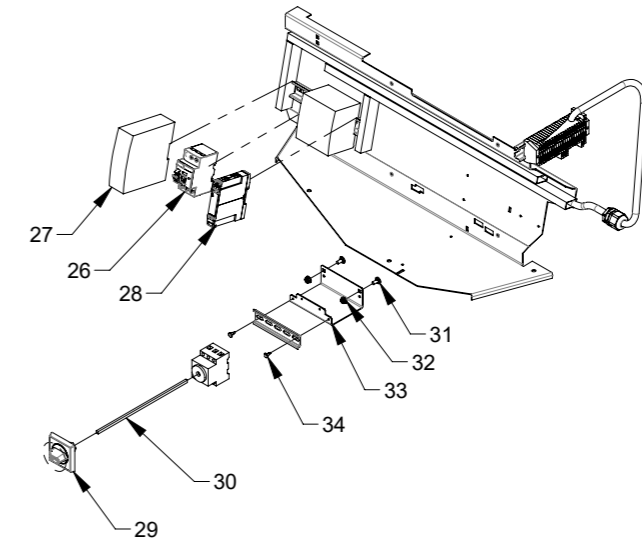
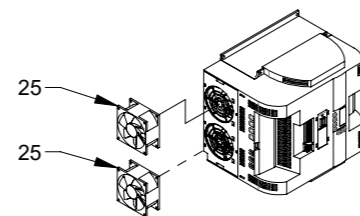
**FC 2xxx CE**



**FC 2080 CE - FC 2110 CE**

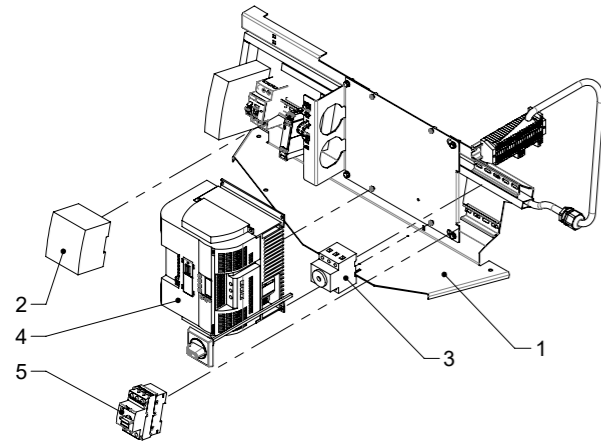


**FC 2190 CE - FC 2220 CE**

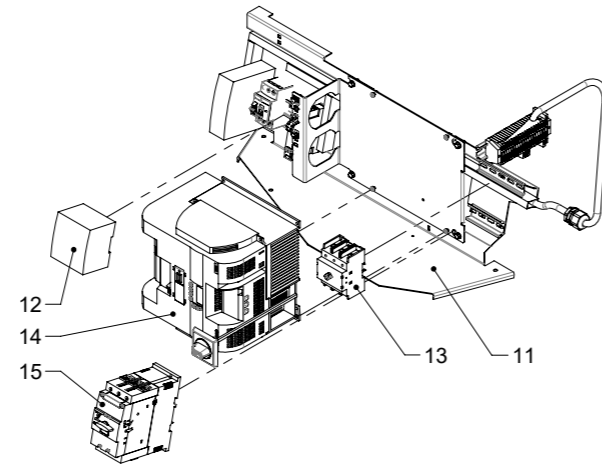


Pos.	Pcs.	Part no.	Description
1	1	123022235	FC 2080 Control Unit 3x380-480V 50/60Hz Complete CE
2	1	123022331	FC 2080 PLC with software
3	1	100503363	Main switch 25A
4	1	123022335	FC 2080 AC-drive with software CE
5	1	123022236	FC 2110 Control Unit 3x380-480V 50/60Hz Complete CE
6	1	123022332	FC 2110 PLC with software
7	1	100503364	Main switch 40A
8	1	123022336	FC 2110 AC-drive with software CE
9	1	123022238	FC 2190 / FC 2220 Control Unit 3x380-480V 50/60Hz Complete CE
10	1	123022333	FC/FCE 2190 PLC with software
11	1	100503365	Main switch 63A
12	1	123022337	FC/FCE 2190 AC-drive with software CE
13	1	123022238	FC 2190 / FC 2220 Control Unit 3x380-480V 50/60Hz Complete CE
14	1	123022334	FC 2220 PLC with software
15	1	100503365	Main switch 63A
16	1	123022338	FC 2220 AC-drive with software CE
17	1	123022253	Retainer for HMI box
18	1	123022251	Box for HMI assembled
19	1	123022330	Multiair FC HMI with software
20	1	100511182	Cable screw gland M25x1,5 plastic
21	1	100511191	Nut M25 x 1,5 plastic
22	8	100350038	Pan head screw M6x16 X30 stainless ISO 14583
23	1	100511253	Wire grommet. Ø22 x 2
24	2	100503346	Cooling Fan FC 2080 - FC 2110
25	2	100503347	Cooling Fan FC 2190 - FC 2220
26	1	100503392	Protection 1,0-1,6A
27	1	100503349	Trafo 120W-24V
28	1	100503337	Siemens thermistor relay
29	1	100503366	Handle for main switch
30	1	100503367	Main switch handle extension
31	10	100311005	Carriage bolt M6x13 special
32	10	100316097	Flange nut M6 with serration DIN 6923
33	1	123022324	Spacer for DIN rail
34	2	100323449	Thread forming flange screw M4x12 DIN 7500C

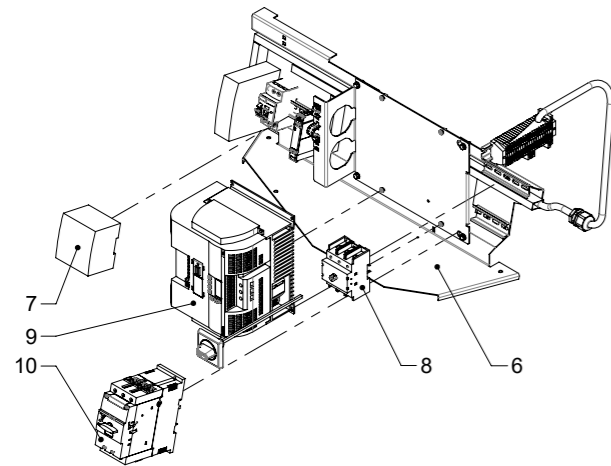
**FC 2080 UL/CSA**



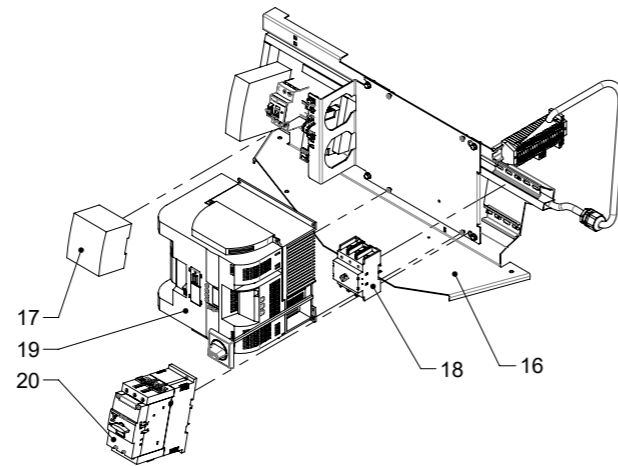
**FC 2190 UL/CSA**



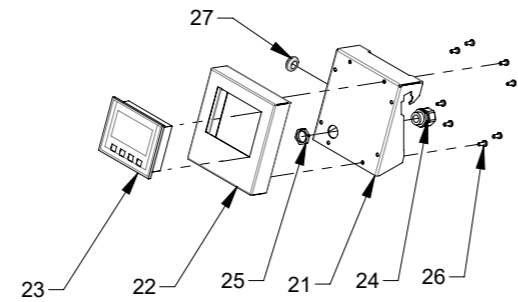
**FC 2110 UL/CSA**



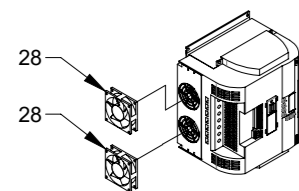
**FC 2220 UL/CSA**



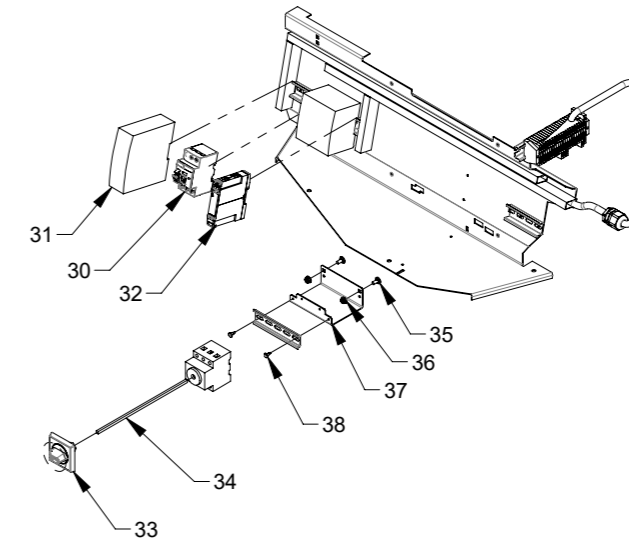
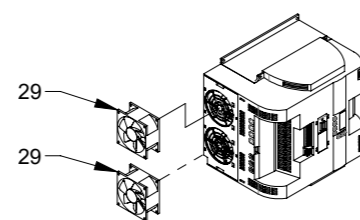
**FC 2xxx UL/CSA**



**FC 2080 UL/CSA - FC 2110 UL/CSA**

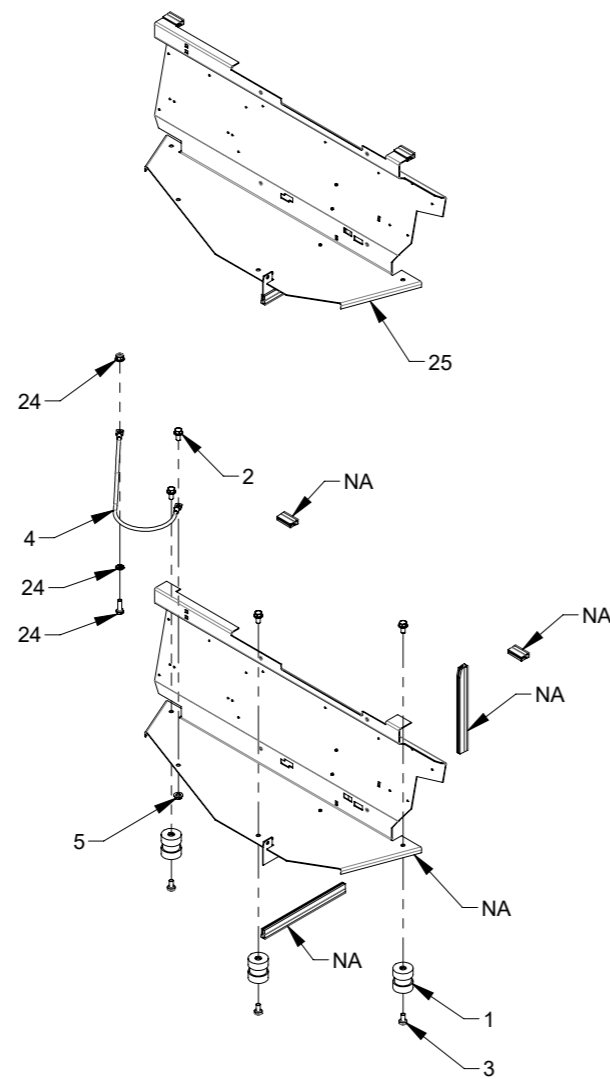
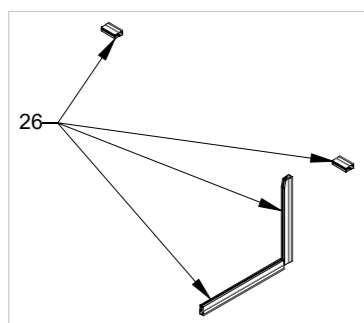


**FC 2190 UL/CSA - FC 2220 UL/CSA**

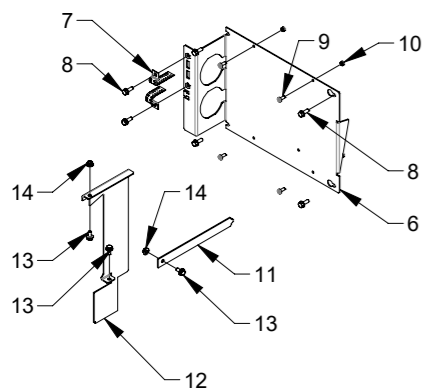


Pos.	Pcs.	Part no.	Description
1	1	123022245	FC 2080 Control Unit 3x380-480V 50/60Hz Complete UL/CSA
2	1	123022331	FC 2080 PLC with software
3	1	100503365	Main switch 63A
4	1	123022390	FC 2080 AC-drive with software UL/CSA
5	1	100503431	FC 2080 Circuit breaker
6	1	123022246	FC 2110 Control Unit 3x380-480V 50/60Hz Complete UL/CSA
7	1	123022332	FC 2110 PLC with software
8	1	100503384	Main switch 100A
9	1	123022391	FC 2110 AC-drive with software UL/CSA
10	1	100503432	FC 2110 Circuit breaker
11	1	123022247	FC 2190 Control Unit 3x380-480V 50/60Hz Complete UL/CSA
12	1	123022333	FC 2190 PLC with software
13	1	100503384	Main switch 100A
14	1	123022392	FC 2190 AC-drive with software UL/CSA
15	1	100503388	FC 2190 Circuit breaker
16	1	123022248	FC 2220 Control Unit 3x380-480V 50/60Hz Complete UL/CSA
17	1	123022334	FC 2220 PLC with software
18	1	100503384	Main switch 100A
19	1	123022393	FC 2220 AC-drive with software UL/CSA
20	1	100503388	FC 2220 Circuit breaker
21	1	123022253	Retainer for HMI box
22	1	123022251	Box for HMI assembled
23	1	123022330	Multiair FC HMI with software
24	1	100511182	Cable screw gland M25x1,5 plastic
25	1	100511191	Nut M25 x 1,5 plastic
26	8	100350038	Pan head screw M6x16 X30 stainless ISO 14583
27	1	100511253	Wire grommet. Ø22 x 2
28	2	100503346	Cooling Fan FC 2080 - FC 2110
29	2	100503347	Cooling Fan FC 2190 - FC 2220
30	1	100503392	Protection 1,0-1,6A
31	1	100503349	Trafo 120W-24V
32	1	100503337	Siemens thermistor relay
33	1	100503366	Handle for main switch
34	1	100503367	Main switch handle extension
35	10	100311005	Carriage bolt M6x13 special
36	10	100316097	Flange nut M6 with serration DIN 6923
37	1	123022324	Spacer for DIN rail
38	2	100323449	Thread forming flange screw M4x12 DIN 7500C

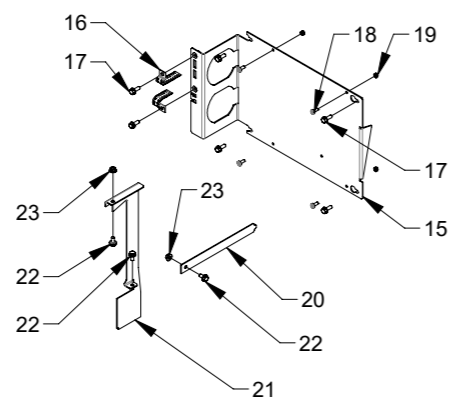




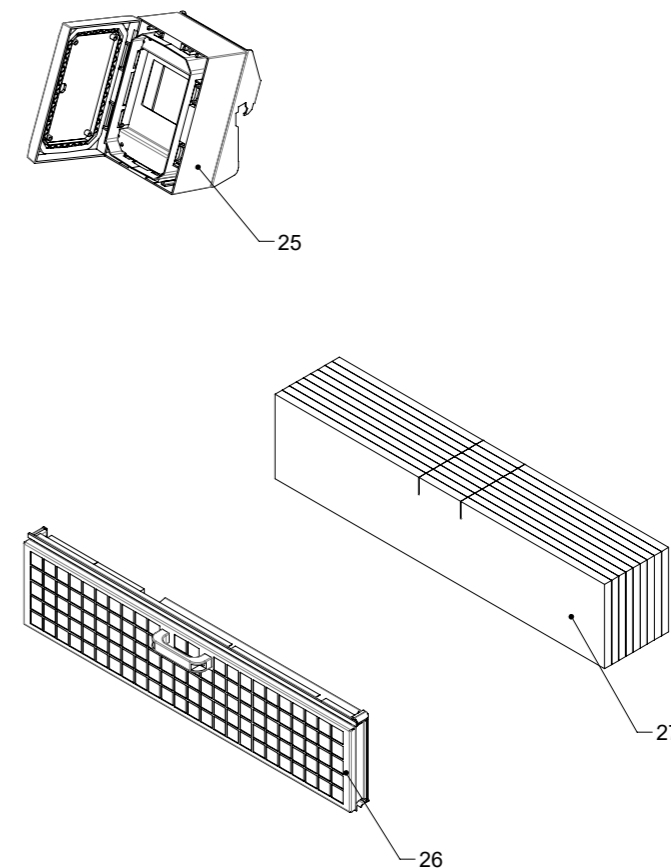
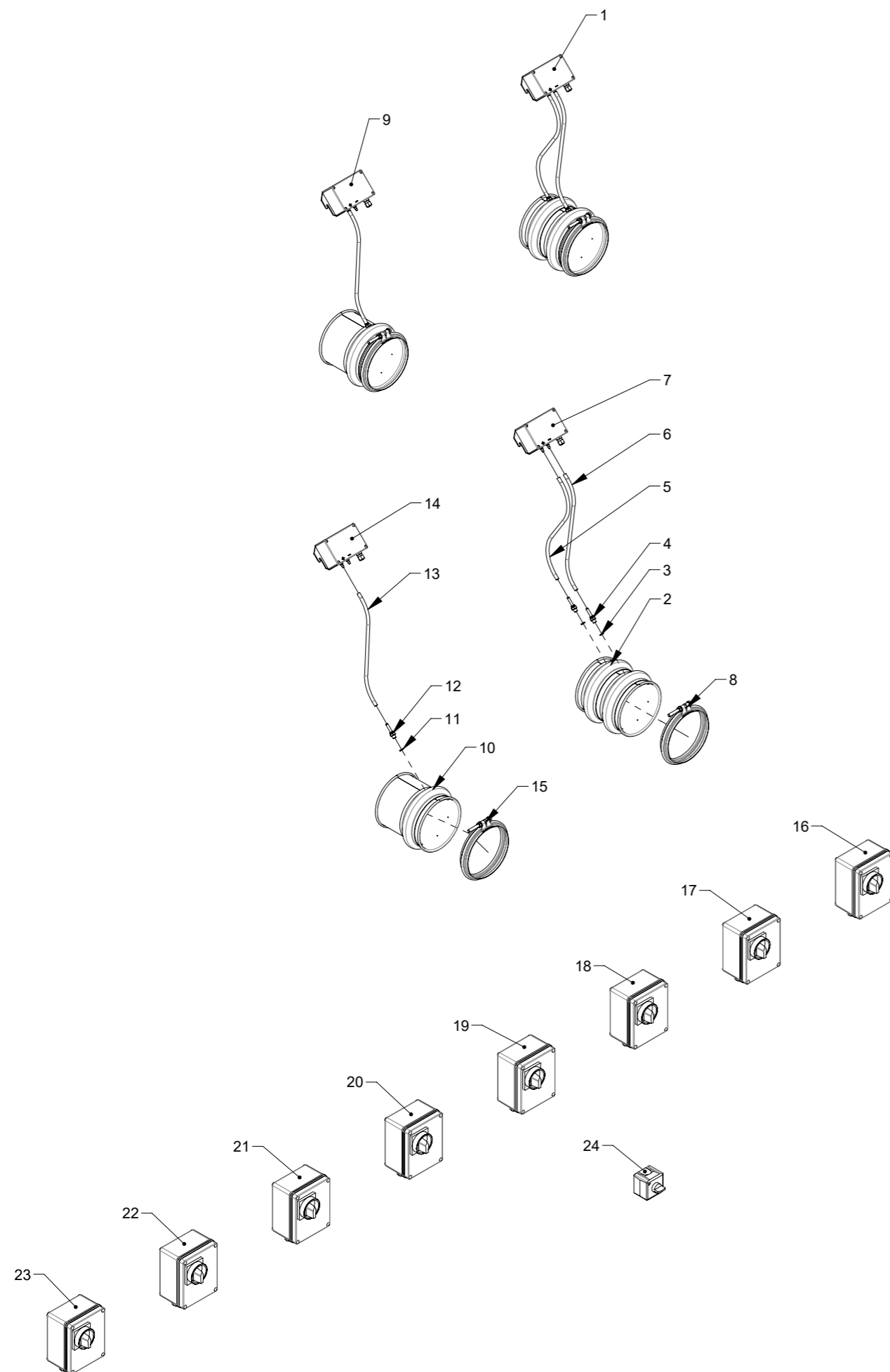
**FC 2080 - FC 2110**



**FC 2190 - FC 2220**

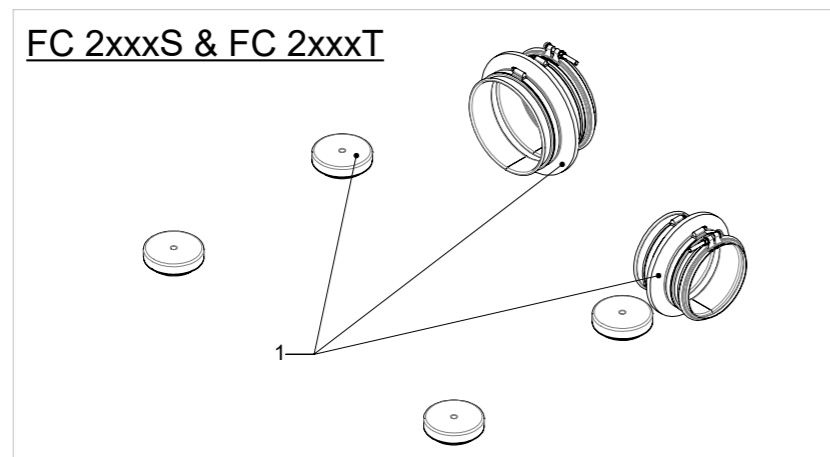


Pos.	Pcs.	Part no.	Description
1	3	100323448	Vibration damper
2	4	100323387	Flange set screw M8x16 DIN 6921
3	3	100321021	M8x16 ISO 14583
4	1	123022292	Earth connection wire for rear plate
5	1	100316091	Flange nut M8 with serration DIN9623
6	1	123022287	Console for Siemens V20 size FSD
7	2	123022214	Terminal for wire shield
8	6	100323450	Thread forming flange screw M6x16 DIN 7500D
9	4	100321010	Screw M5x12 DIN 7985 Torx 25 elgv
10	4	100316063	Lock nut M5 DIN 985-6
11	1	123022283	Blind plate under frequency converter
12	1	123022285	Divider plate for Siemens V20 size FSD
13	3	100323386	Flange screw M6x12 EN 1665
14	2	100316075	Flange nut with threadlock M6 DIN 6927
15	1	123022288	Console for Siemens V20 size FSE
16	2	123022214	Terminal for wire shield
17	6	100323450	Thread forming flange screw M6x16 DIN 7500D
18	4	100321010	Screw M5x12 DIN 7985 Torx 25 elgv
19	4	100316063	Lock nut M5 DIN 985-6
20	1	123022283	Blind plate under frequency converter
21	1	123022286	Divider plate for Siemens V20 size FSE
22	3	100323386	Flange screw M6x12 EN 1665
23	2	100316075	Flange nut with threadlock M6 DIN 6927
24	1	123022322	AC drive enclosure assembly
25	1	123022277	Rear plate for control complete
26	1	123022313	Sealing for standard frequency converters

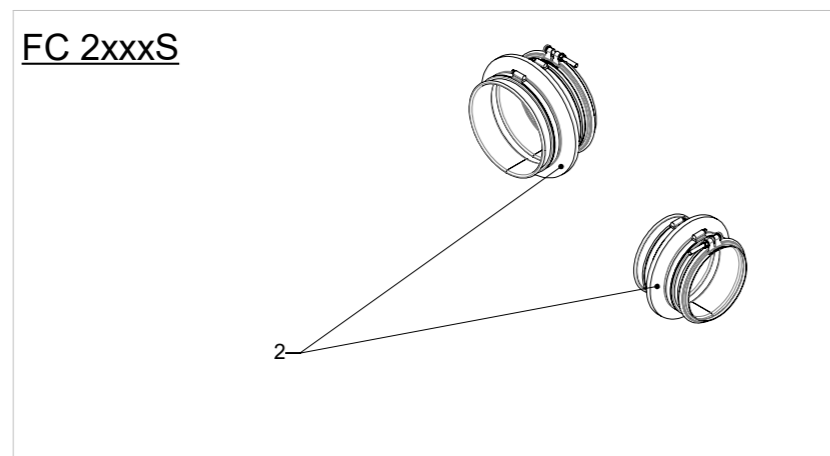


Pos.	Pcs.	Part no.	Description
1	1	123030248	Multiair FC 1000+FC/FCE 2000+FC/E 3000 Flow control cpl.
2	1	123030263	Aperture for flow gauge
3	2	100413068	O-ring Ø7,6 x 2,62
4	2	100420068	Hose connector 1/4" -1/8"
5	1	123021673	Hose for pressure- and flow transmitter
6	1	123021673	Hose for pressure- and flow transmitter
7	1	100503122	Pressure transmitter
8	1	122000857	Clamp with bolt OK160
9	1	123021049	Multiair FC 1000+FC 2000 Pressure control cpl.
10	1	123030261	Aperture for pressure gauge
11	1	100413068	O-ring Ø7,6 x 2,62
12	1	100420068	Hose connector 1/4" -1/8"
13	1	123021673	Hose for pressure- and flow transmitter
14	1	100503122	Pressure transmitter
15	1	122000857	Clamp with bolt OK160
16	1	100503429	External control 1,0A-1,3A 3x200V-600V 50/60Hz (0,37kW at 3x400V)
17	1	100503338	External control 1,3A-1,7A 3x200V-600V 50/60Hz (0,55kW at 3x400V)
18	1	100503345	External control 1,7A-2,3A 3x200V-600V 50/60Hz (0,75kW at 3x400V)
19	1	100503341	External control 2,3A-3,1A 3x200V-600V 50/60Hz (1,1kW at 3x400V)
20	1	100503342	External control 3,1A-4,2A 3x200V-600V 50/60Hz (1,5kW at 3x400V)
21	1	100503339	External control 4,2A-5,7A 3x200V-600V 50/60Hz (2,2kW at 3x400V)
22	1	100503343	External control 5,7A-7,6A 3x200V-600V 50/60Hz (3kW at 3x400V)
23	1	100503340	External control 7,6A-10A 3x200V-600V 50/60Hz (4kW at 3x400V)
24	1	100503357	External start/stop switch with rotary knob 24V
25	1	123022262	Cabinet for HMI control outdoors
26	1	123022035	Multiair FC 1000+FC 2000 Filter panel
27	1	123022191	Multiair FC 1000+FC 2000 filter package (9 pcs. for filter panel)

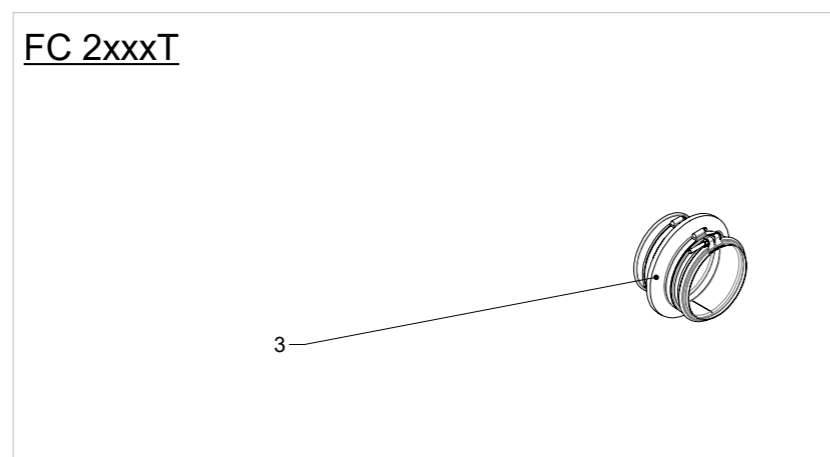
FC 2xxxS & FC 2xxxT



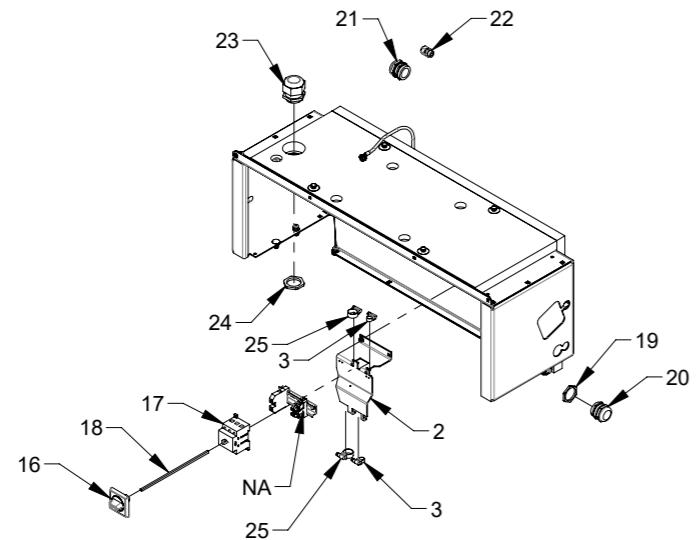
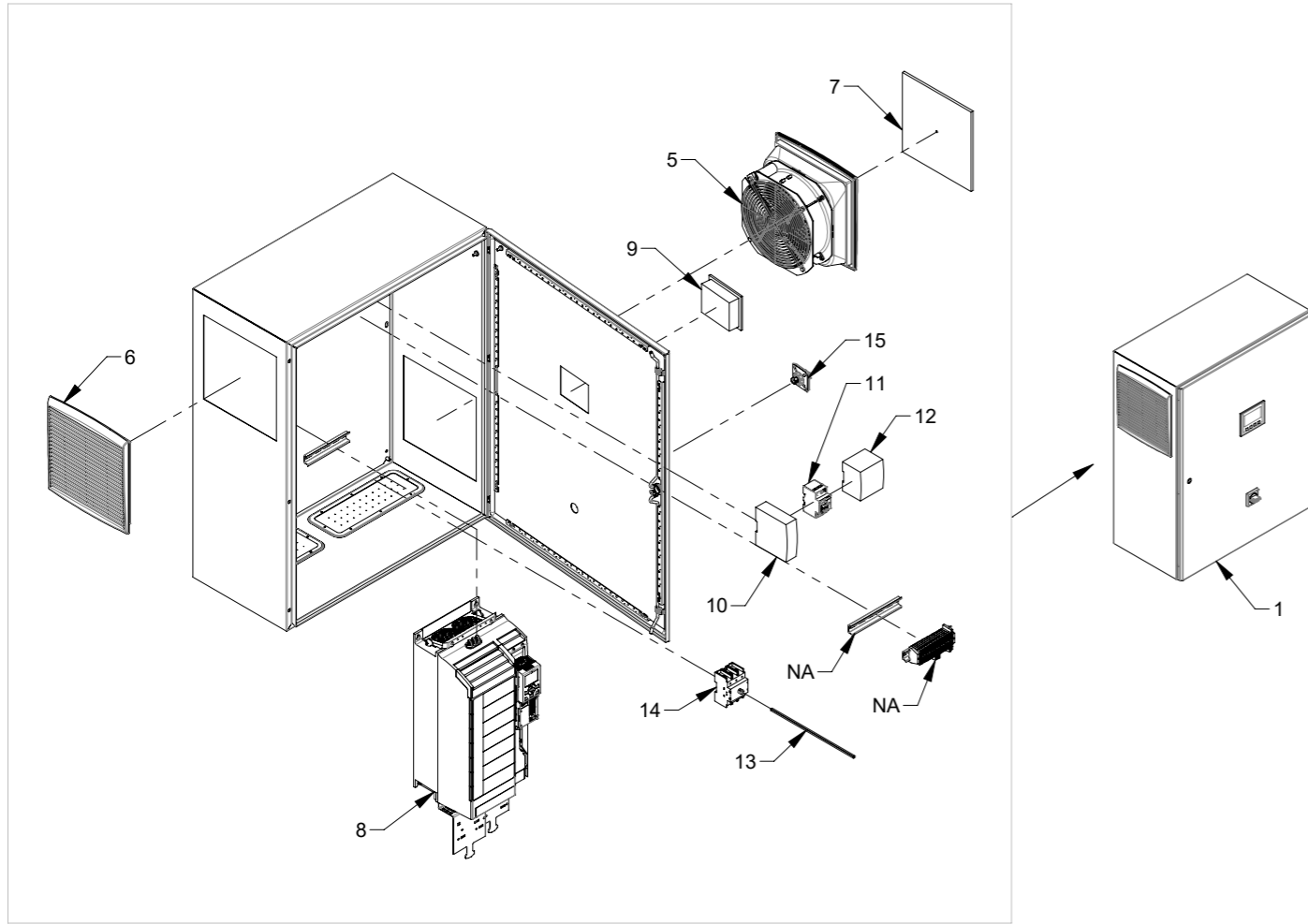
FC 2xxxS



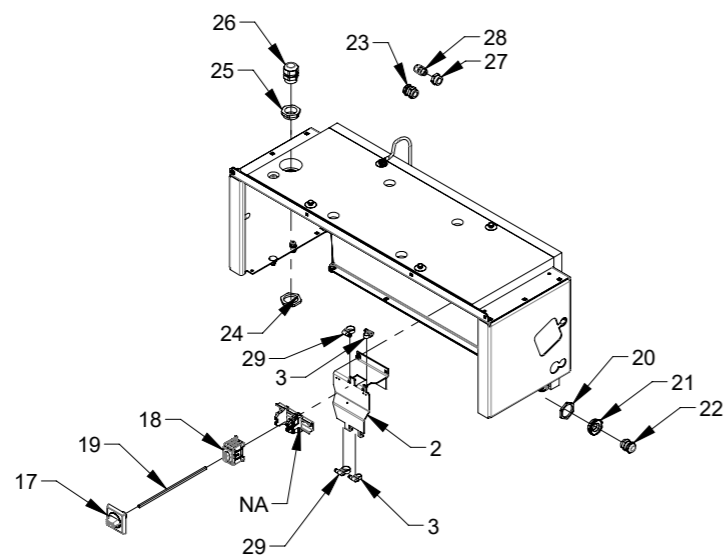
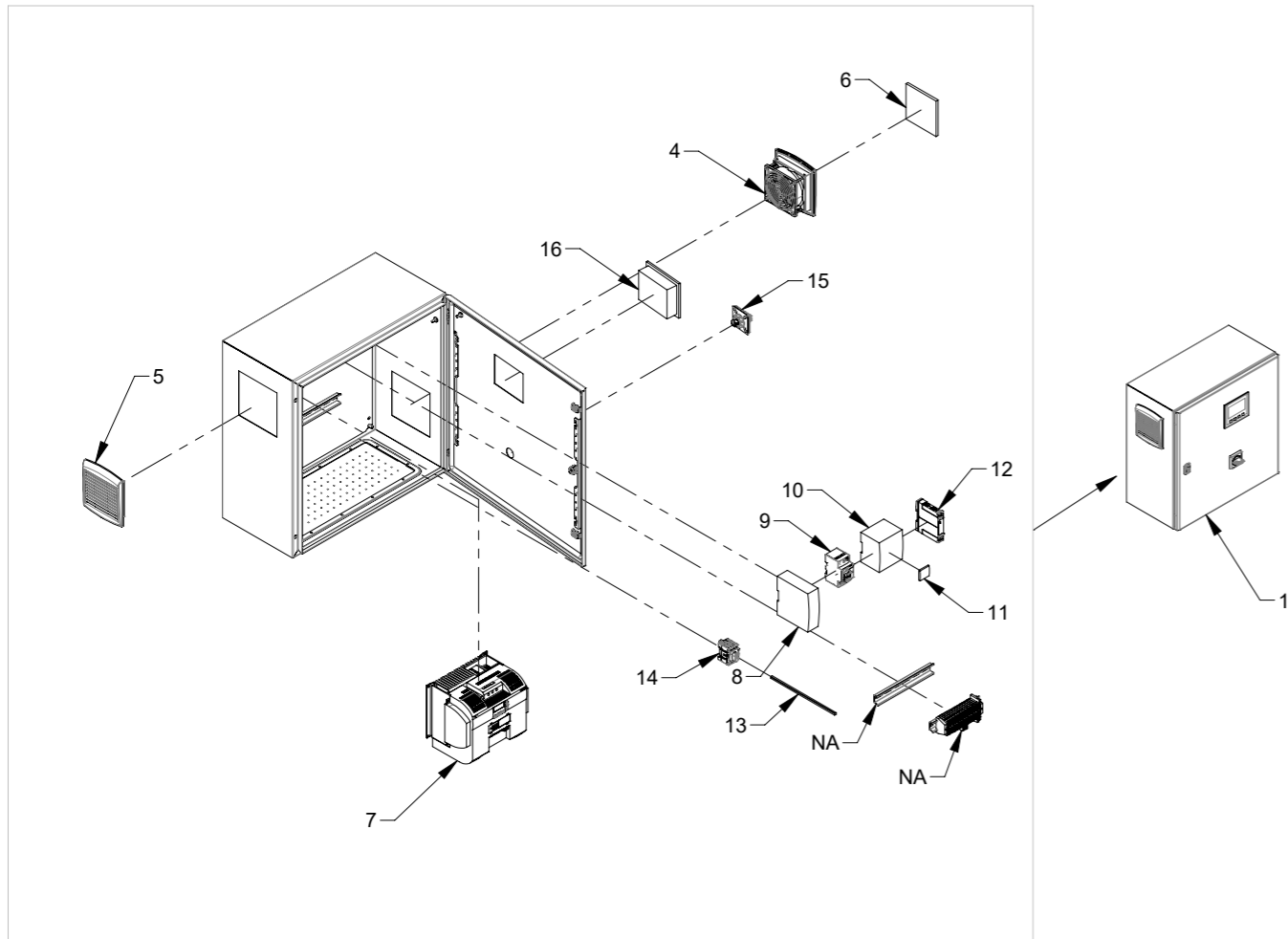
FC 2xxxT



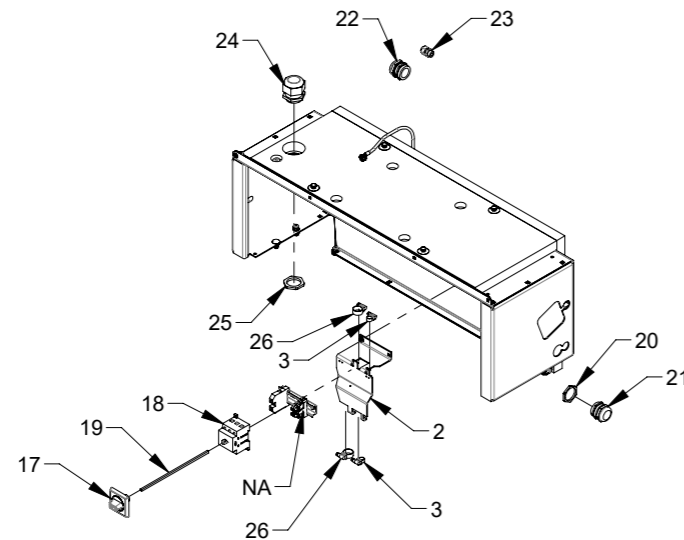
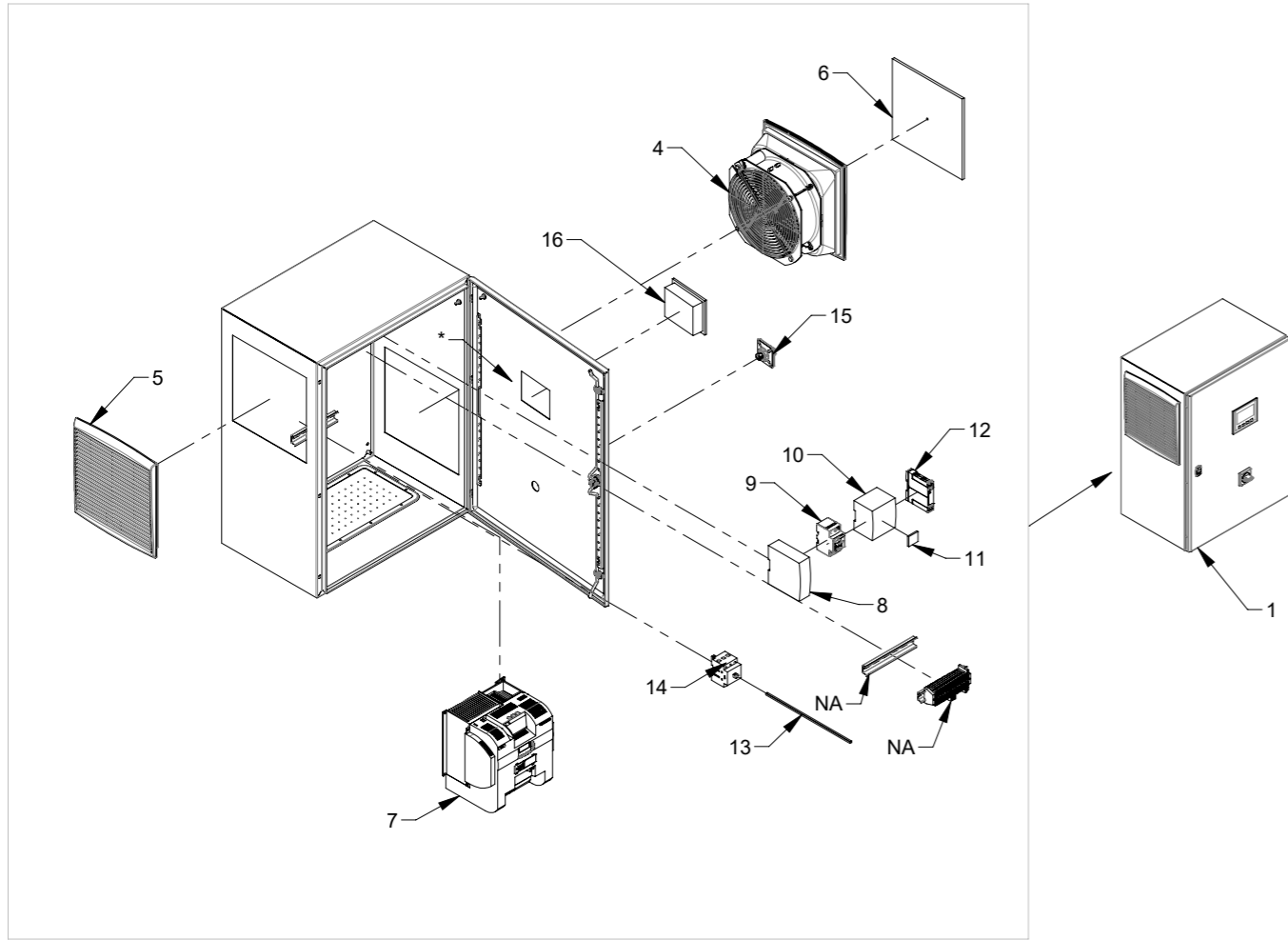
Pos.	Pcs.	Part no.	Description
1	1	123022036	Multiair FC 1xxxS&T+FC 2xxxS&T Flexible transition set
2	1	123022037	Multiair FC 1xxxS+FC 2xxxS Flexible transition set
3	1	123022038	Multiair FC 1xxxT+FC 2xxxT Flexible transition set



Pos.	Pcs.	Part no.	Description
1	1	100503602	Control cabinet with freq. converter 16kW 3x200-230V 50/60Hz
2	1	123022328	Bracket for DIN rail
3	2	100420262	Hose clamps Ø8-16x9 W2
4	2	100323414	Vibrations damper Ø30x25
5	1	100503403	Ventilator 68W 230V 50/60Hz with filter, for control box
6	1	100503402	Inlet grille 291x291mm with filter, for control box
7	1	100503404	Filter for inlet grille 316x336 mm, set of 5 pcs.
8	1	100503399	FCE 2160 Frequency Converter
9	1	123040499	Siemens operators panel
10	1	100503349	Trafo 120W-24V
11	1	100503392	Protection 1,0-1,6A
12	1	100503376	FC/FCE 2000 PLC
13	1	100503405	Main switch handle extension
14	1	100503384	Main switch 100A
15	1	100503366	Handle for main switch
16	1	100503366	Handle for main switch
17	1	100503383	Main switch 80A
18	1	100503367	Main switch handle extension
19	1	100511198	Nut M40x1,5 metal
20	1	100511197	Cable screw gland M40x1,5 Metal
21	1	100511235	Cable screw gland M40x1,5 EMC
22	1	100511244	Cable screw gland M16x1,5
23	1	100511190	Cable screw gland M40x1,5
24	1	100511193	Møtrik M40x1,5 plastic
25	2	100420264	Hose clamps Ø20-32x9 W2
26	1	181002040	Software - MA FC 2160 - Installation kit



Pos.	Pcs.	Part no.	Description
1	1	123022388	MA FCE 2080 Control box 3x380-480V 50/60Hz CE
2	1	123022328	Bracket for DIN rail
3	2	100420262	Hose clamps Ø8-16x9 W2
4	1	100503433	Ventilator 17W 230V 50/60Hz with filter, for control box
5	1	100503435	Inlet grille 125x125mm with filter, for control box
6	1	100503434	Filter for inlet grille 125x125 mm, set of 5 pcs.
7	1	123022335	FC 2080 AC-drive with software CE
8	1	100503349	Trafo 120W-24V
9	1	100503392	Protection 1,0-1,6A
10	1	123022331	FC 2080 PLC with software
11	1	100503331	Siemens modbus modul
12	1	100503337	Siemens thermistor relay
13	1	100503367	Main switch handle extension
14	1	000503xxx	Main switch 40A
15	1	100503366	Handle for main switch
16	1	123022330	MA FC/FCE 2000 HMI with software
17	1	100503366	Handle for main switch
18	1	000503xxx	Main switch 25A
19	1	100503367	Main switch handle extension
20	1	100511198	Nut M40x1,5 metal
21	1	100511199	Reduction M40x1,5 / M25x1,5
22	1	100511195	Cable screw gland M25x1,5 metal
23	1	100511233	Cable screw gland M25x1,5 EMC
24	1	100511193	Møtrik M40x1,5 plastic
25	1	100511188	Reduction M40x1,5/M32x1,5
26	1	100511183	Cable screw gland M32x1,5
27	1	100511267	Reduction M25x1,5/M16x1,5 PA
28	1	100511244	Cable gland M16x1,5
29	2	100420263	Hose clamps Ø16-25x9 W2



Pos.	Pcs.	Part no.	Description
1	1	123022389	MA FCE 2190 Control box 3x380-480V 50/60Hz CE
2	1	123022328	Bracket for DIN rail
3	2	100420262	Hose clamps Ø8-16x9 W2
4	1	100503403	Ventilator 68W 230V 50/60Hz with filter, for control box
5	1	100503402	Inlet grille 291x291mm with filter, for control box
6	1	100503404	Filter for inlet grille 316x336 mm, set of 5 pcs.
7	1	123022337	FC/FCE 2190 AC-drive with software CE
8	1	100503349	Trafo 120W-24V
9	1	100503392	Protection 1,0-1,6A
10	1	123022333	FC/FCE 2190 PLC with software
11	1	100503331	Siemens modbus modul
12	1	100503337	Siemens thermistor relay
13	1	100503405	Main switch handle extension
14	1	100503382	Main switch 63A
15	1	100503366	Handle for main switch
16	1	123022330	MA FC/FCE 2000 HMI with software
17	1	100503366	Handle for main switch
18	1	100503383	Main switch 80A
19	1	100503367	Main switch handle extension
20	1	100511198	Nut M40x1,5 metal
21	1	100511197	Cable screw gland M40x1,5 Metal
22	1	100511235	Cable screw gland M40x1,5 EMC
23	1	100511244	Cable gland M16x1,5
24	1	100511190	Cable screw gland M40x1,5
25	1	100511193	Møtrik M40x1,5 plastic
26	2	100420264	Hose clamps Ø20-32x9 W2

**Kongskilde Industries A/S**

Skælskørvej 64

DK - 4180 Sorø

Tel. +45 72 17 60 00

[mail@kongskilde-industries.com](mailto:mail@kongskilde-industries.com)

[www.kongskilde-industries.com](http://www.kongskilde-industries.com)