

Cyclones

Data sheet

Kongskilde offers a wide range of cyclones specifically designed to integrate seamlessly with our pipe systems. These cyclones provide efficient dust and particle separation, ensuring optimal performance in pneumatic systems across various industries.

KM Series Cyclones

The KM series cyclones are engineered for the effective separation of dust and particles from the air in pneumatic conveying systems. With the capacity to handle air volumes ranging from 1,000 m³/h (590 CFM) to 35,000 m³/h (20,000 CFM), the KM series is versatile enough to meet the demands of diverse applications.

UC Cyclones

UC cyclones are specifically designed for the efficient separation of dense granules from the conveying air at the discharge point. Their compact height minimizes the required overhead space, making them ideal for installations in buildings with limited vertical clearance.

SC Cyclones

SC cyclones are specially developed for vacuum-based pneumatic conveying systems handling dense granules. A distinctive feature is the integrated perforated filter basket located at the top of the cyclone. This design prevents granules from escaping through the top outlet, providing a safeguard against material bypass in the event of blockages.

RC Cyclones

RC cyclones are engineered to separate light fractions from the conveying air at the end of the conveying line. A typical application includes removing lightweight materials following an aspirator separator. The deep conical bottom ensures efficient downward flow and discharge of the separated light material.

IC Cyclones

IC cyclones offer a versatile solution suitable for both dense and light granules. They feature interchangeable filter baskets, allowing users to adapt the cyclone for either vacuum or pressure conveying systems. When used as an alternative to the UC cyclone at the discharge point, IC cyclones offer enhanced separation performance—especially for applications where light and dense materials are mixed.

Benefits

- **Efficient Dust Separation:** KM type cyclones remove particles and dust from the air, ensuring a cleaner and safer working environment.
- **Seamless Integration:** Designed for use with Kongskilde OK/FK pipe systems, offering ease of installation and operation.
- **Wide Range of Capacities:** Models available to handle small to large air and material volumes, providing solutions for various industries and processes.
- **Durable Construction:** Built with robust materials to ensure long-lasting performance in demanding environments.
- **Compact Design:** Space-saving options that simplify system layouts.



SC Cyclone



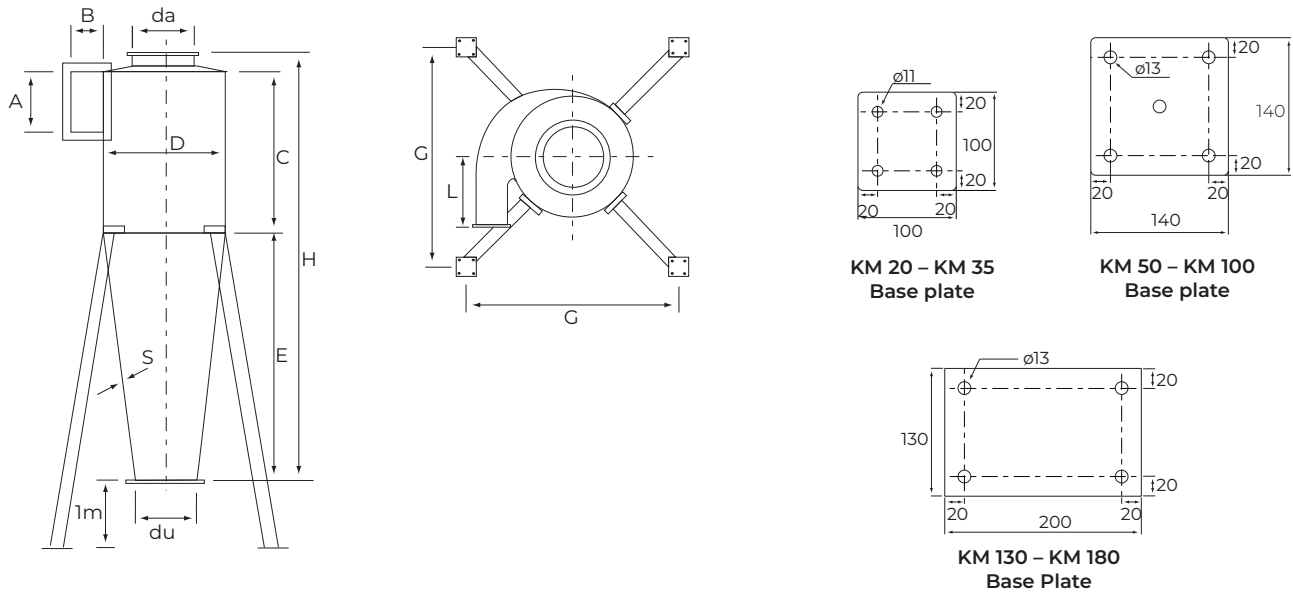
UC Cyclone

Dimensions

KM Cyclones

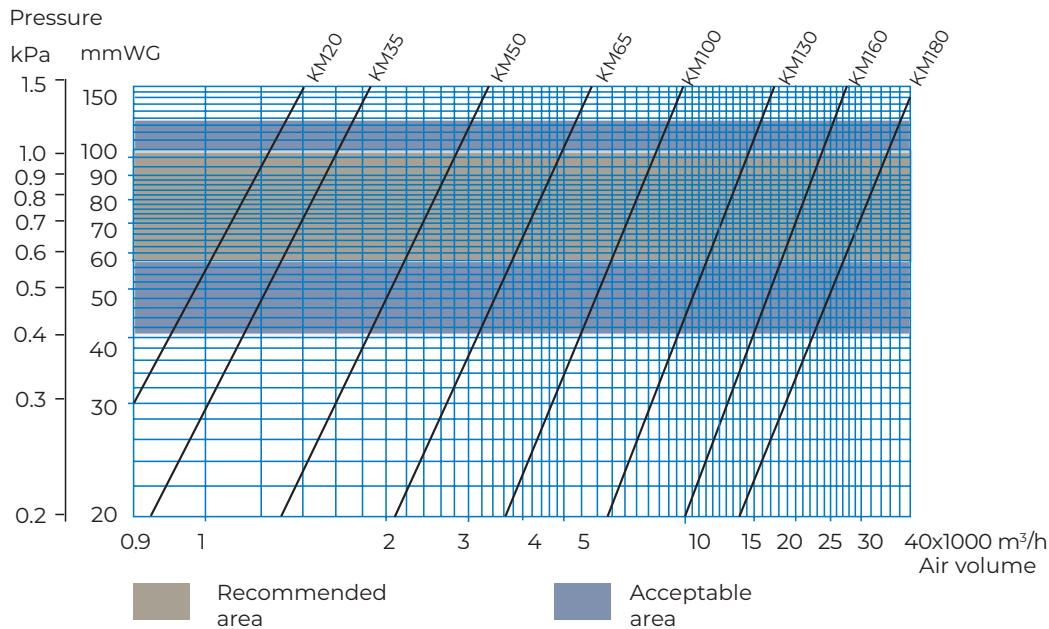
Type	EDP-No.	A mm	B mm	C mm	D mm	da mm	du mm	E mm	G mm	H mm	S mm	K mm	L mm	Weight kg	Standard inlet/length, mm	Inlet Options
KM 20	9254320224	230	100	570	400	225	160	820	1050	1465	2	234	240	49	FK140/242	FK125, FK140, OK160
KM 35	9254335224	285	125	710	500	250	200	1020	1200	1790	2	290	300	59	OK160/242	OK160, FK180, OK200
KM 50	9254350224	350	160	710	500	250	200	1020	1200	1790	2	308	300	70	OK200/242	OK160, OK200, FK225, FK250
KM 65	9254365224	445	200	995	700	400	300	1405	1530	2500	2	419	420	115	Ø300/392	OK200, FK300, FK315, FK350
KM 100	9254310224	560	300	1500	1000	550	400	2050	1960	3725	2	615	600	270	Ø400/392	FK400, FK450, FK500
KM 130	9254313234	750	400	2000	1280	700	450	2820	2305	5090	3	782	700	565	Ø600/492	FK500, FK600, FK700
KM 160	9254316234	1100	500	2000	1600	800	550	3150	2690	5420	3	1050	900	685	Ø700/592	FK700, FK800, FK900
KM 180	9254318234	1500	600	2500	1800	1000	650	3450	2790	6250	3	1150	950	875	Ø900/600	FK900, FK1000, FK1100

Cyclone legs are not included with the unit but can be purchased separately.



Technical Data

KM Cyclones



Dimensions

IC, SC, UC, and RC Cyclones

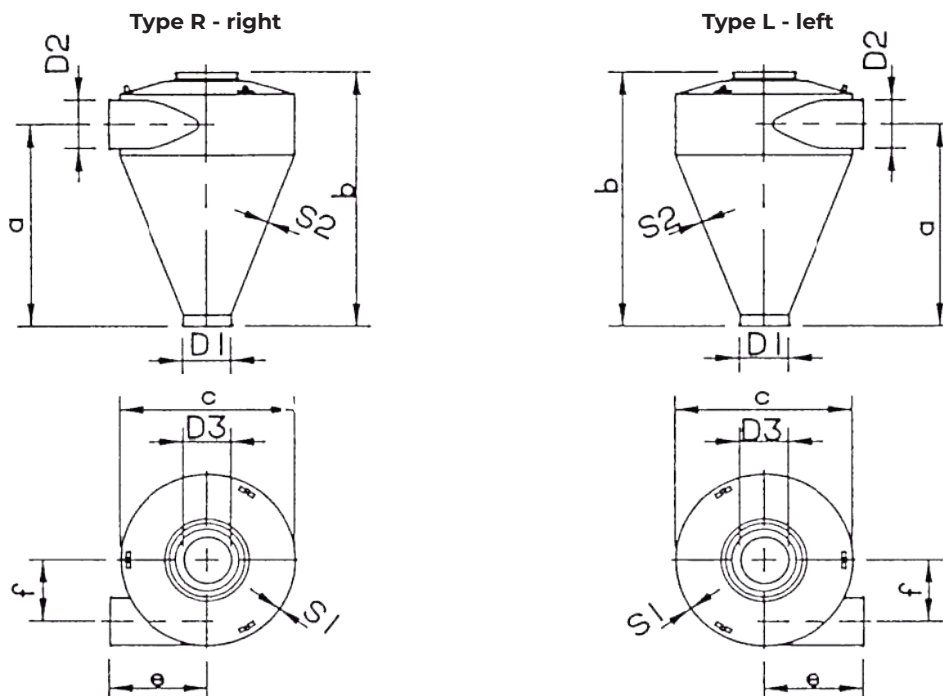
Type	EDP-No.	Air volume Max m ³ /h	Type	a mm	b mm	c ∅ mm	D1 ∅ mm	D2 ∅ mm	D3 ∅ mm	e mm	f mm	S1 mm	S2 mm	Surface
UC 160	122000698	2000	R	350	523	579	160	160	200	324	208	0.9 + 1.25**	0.9	Galv.
UC 160	122000872	2000	R	320	502	579	200	160	200	320	210	2.0 + 2.5**	1.5	Painted
UC 200	122050202	3000	L	367	562	705	300	200	250	380	247	2.0*	2.0*	Painted
SC 500/700	121130262	2000	L	577	757	579	250	160	200	378	210	2.0	1.5	Painted
SC 1000 w/ 15° upwards inlet	121150056	1800	L	1006	1208	822	375	160	200	352	317	2 + 3**	2 + 3**	Painted
RC 12	131000047	1800	R	678	852	579	160	160	200	324	208	0.9 + 1.25**	0.9	Galv.
RC 20	131021007	2500	L	1050	1223	754	160	200	250	375	273.5	1.25	1.25	Painted
RC 20	131020100	2500	L	986	1159	754	200	200	400	375	273.5	1.25 + 2.5**	1.25	Painted
RC 40	131040007	5500	L	1425	1688	1130	200	300	600	563	410	1.5	1.5	Painted
IC 20, 20° bottom cone, w/o basket	131025101	2000	L	645	830	595	200	160	200	378	210	2.0	1.5	Painted
IC 30, 30° bottom cone, w/o basket	121000719	2000	L	450	595	595	200	160	200	378	210	2.0	1.5	Painted

Stainless Steel

UC FK160R w/ closed basket	122710179	2000	L	450	655	595	200	160	200	378	210	2	2	Stainless steel
RC 20 w/ open bottom basket	122710171	2500	L	1051	1243	750	160	200	400	375	274	2	2	Stainless steel
IC 20 w/ closed basket	122710217	2000	L	647	841	584	200	160	200	378	210	2	1,5	Stainless steel
IC 20 w/ open basket	122710225	2000	L	647	841	584	200	160	200	378	210	2	1,5	Stainless steel
IC 20 w/ closed basket removable	122710236	2000	L	647	841	584	200	160	200	378	210	2	1,5	Stainless steel
IC 30 w/ open basket, 30°	122710157	2000	L	473	667	602	200	160	200	378	210	2	1,5	Stainless steel
IC 30, w/ closed basket	122710169	2000	L	473	667	602	200	160	200	378	210	2	1,5	Stainless steel

* Special hard wear resistant Docol steel

** Wear plate thickness



Cyclone Model Comparison

Compare all available cyclone models.

Model	EDP-No.	Weight, kg	Standard inlet/length, mm	Typical Applications
KM 20	9254320224	49	100 x 230	Light material, dust discharge
KM 35	9254335224	59	125 x 285	Light material, dust discharge
KM 50	9254350224	70	160 x 350	Light material, dust discharge
KM 65	9254365224	115	200 x 445	Light material, dust discharge
KM 100	9254310224	270	300 x 560	Light material, dust discharge
KM 130	9254313234	565	400 x 750	Light material, dust discharge
KM 160	9254316234	685	500 x 1100	Light material, dust discharge
KM 180	9254318234	875	600 x 1500	Light material, dust discharge
UC 160	122000698	13	OK160	Granules discharge blowing system
UC 160	122000872	23	OK160	Granules discharge blowing system
UC FK 160R	122710179	20	OK160	Granules discharge blowing system
UC 200	122050202	56	OK200	Granules discharge blowing system
SC 500/700	121130262	27.4	OK160	Granules discharge suction system
SC 1000	121150056	81	OK160	Granules discharge suction system
RC 12, OK160	131000047	15	OK160	Light material discharge blowing system
RC 20, OK200	131021007	58	OK200	Light material discharge blowing system
RC 20	131020100	58	OK200	Light material discharge blowing system
RC 20, FK 200R w/ open bottom basket	122710171	55	OK200	Light material discharge blowing system
RC 40, FK 300	131040007	118	FK300	Light material discharge blowing system
IC 20, 20° bottom cone, w/o basket	131025101**	25	OK160	Granules (light material) discharge blowing or suction system
IC 20, FK160R w/ closed basket	122710217	23	FK160	Granules discharge suction system
IC 20, FK160R w/ open basket	122710225	23	FK160	Light material discharge blowing system
IC 20, FK160R w/ closed basket removable	122710236	24	FK160	Granules discharge suction system
IC 30, 30° bottom cone, w/o basket	121000719**	23	OK160	Granules discharge blowing or suction system
IC 30, FK160R w/ open basket	122710157	22.5	FK160	Granules discharge blowing system
IC30, FK160R w/ closed basket	122710169	23	FK160	Granules discharge suction system

** Filter basket to be added

