

Cyclones

Data sheet

Kongskilde offers a wide range of cyclones specifically designed to integrate seamlessly with our pipe systems. These cyclones provide efficient dust and particle separation, ensuring optimal performance in pneumatic systems across various industries.

KM Series Cyclones

The KM series cyclones are engineered for the effective separation of dust and particles from the air in pneumatic conveying systems. With the capacity to handle air volumes ranging from 1,000 m³/h (590 CFM) to 35,000 m³/h (20,000 CFM), the KM series is versatile enough to meet the demands of diverse applications.

UC Cyclones

UC cyclones are specifically designed for the efficient separation of dense granules from the conveying air at the discharge point. Their compact height minimizes the required overhead space, making them ideal for installations in buildings with limited vertical clearance.

SC Cyclones

SC cyclones are specially developed for vacuum-based pneumatic conveying systems handling dense granules. A distinctive feature is the integrated perforated filter basket located at the top of the cyclone. This design prevents granules from escaping through the top outlet, providing a safeguard against material bypass in the event of blockages.

RC Cyclones

RC cyclones are engineered to separate light fractions from the conveying air at the end of the conveying line. A typical application includes removing lightweight materials following an aspirator separator. The deep conical bottom ensures efficient downward flow and discharge of the separated light material.

IC Cyclones

IC cyclones offer a versatile solution suitable for both dense and light granules. They feature interchangeable filter baskets, allowing users to adapt the cyclone for either vacuum or pressure conveying systems. When used as an alternative to the UC cyclone at the discharge point, IC cyclones offer enhanced separation performance—especially for applications where light and dense materials are mixed.

Benefits

- **Efficient Dust Separation:** KM type cyclones remove particles and dust from the air, ensuring a cleaner and safer working environment.
- **Seamless Integration:** Designed for use with Kongskilde OK/FK pipe systems, offering ease of installation and operation.
- **Wide Range of Capacities:** Models available to handle small to large air and material volumes, providing solutions for various industries and processes.
- **Durable Construction:** Built with robust materials to ensure long-lasting performance in demanding environments.
- **Compact Design:** Space-saving options that simplify system layouts.



SC Cyclone



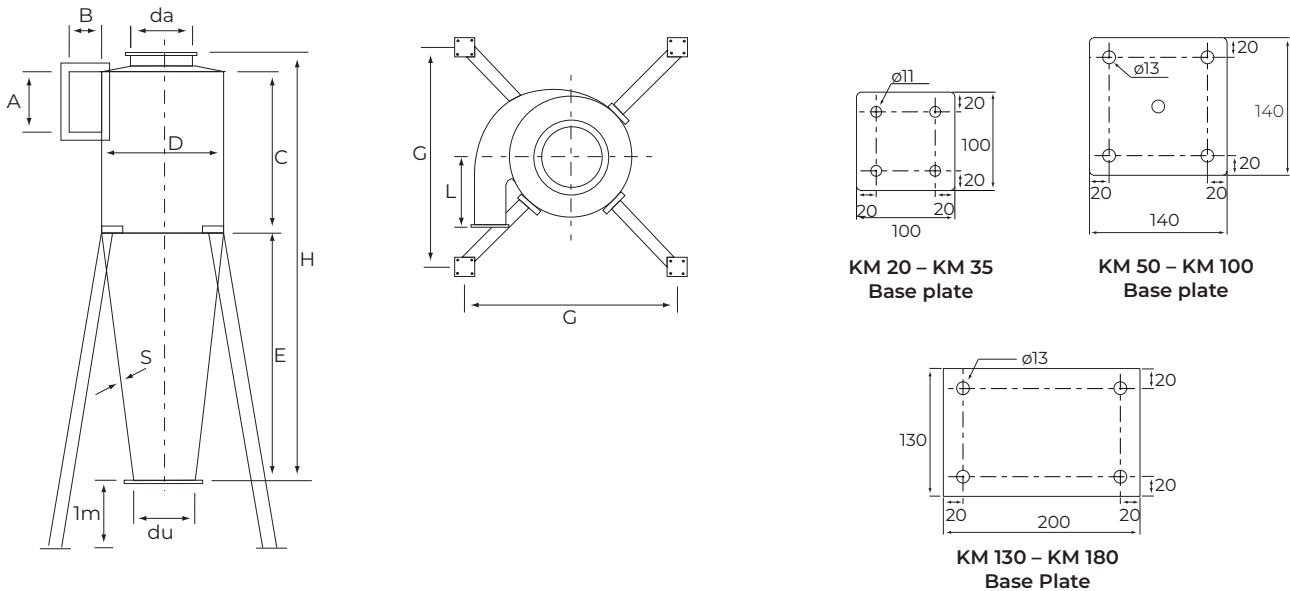
UC Cyclone

Dimensions

KM Cyclones

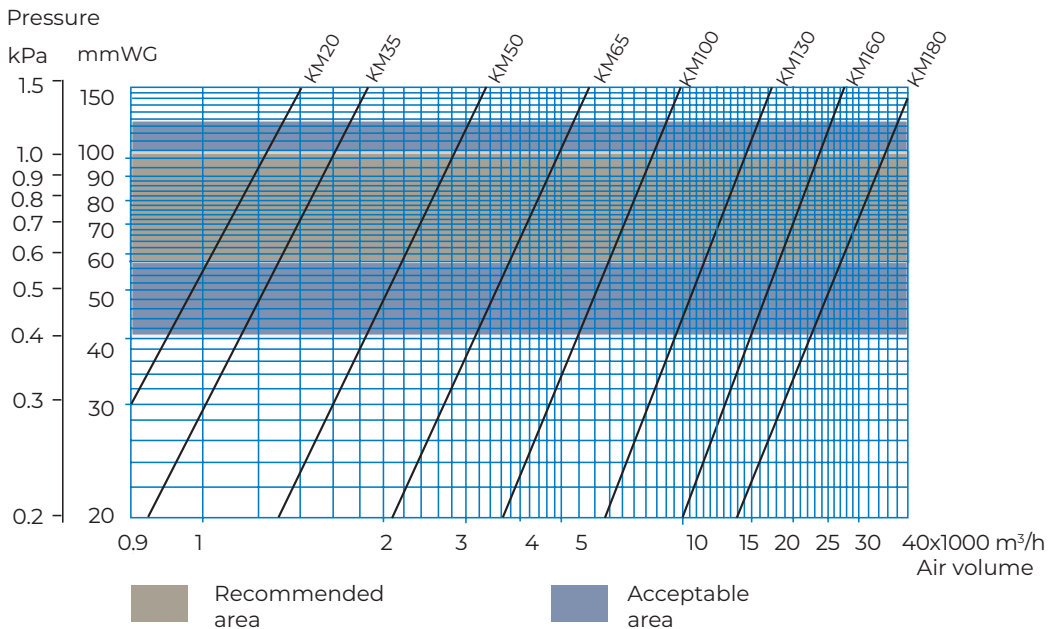
| Type | EDP-No. | A mm | B mm | C mm | D mm | da mm | du mm | E mm | G mm | H mm | S mm | K mm | L mm | Weight kg | Standard inlet/length, mm | Inlet Options |
|--------|------------|------|------|------|------|-------|-------|------|------|------|------|------|------|-----------|---------------------------|----------------------------|
| KM 20 | 9254320224 | 230 | 100 | 570 | 400 | 225 | 160 | 820 | 1050 | 1465 | 2 | 234 | 240 | 49 | FK140/242 | FK125, FK140, OK160 |
| KM 35 | 9254335224 | 285 | 125 | 710 | 500 | 250 | 200 | 1020 | 1200 | 1790 | 2 | 290 | 300 | 59 | OK160/242 | OK160, FK180, OK200 |
| KM 50 | 9254350224 | 350 | 160 | 710 | 500 | 250 | 200 | 1020 | 1200 | 1790 | 2 | 308 | 300 | 70 | OK200/242 | OK160, OK200, FK225, FK250 |
| KM 65 | 9254365224 | 445 | 200 | 995 | 700 | 400 | 300 | 1405 | 1530 | 2500 | 2 | 419 | 420 | 115 | Ø300/392 | OK200, FK300, FK315, FK350 |
| KM 100 | 9254310224 | 560 | 300 | 1500 | 1000 | 550 | 400 | 2050 | 1960 | 3725 | 2 | 615 | 600 | 270 | Ø400/392 | FK400, FK450, FK500 |
| KM 130 | 9254313234 | 750 | 400 | 2000 | 1280 | 700 | 450 | 2820 | 2305 | 5090 | 3 | 782 | 700 | 565 | Ø600/492 | FK500, FK600, FK700 |
| KM 160 | 9254316234 | 1100 | 500 | 2000 | 1600 | 800 | 550 | 3150 | 2690 | 5420 | 3 | 1050 | 900 | 685 | Ø700/592 | FK700, FK800, FK900 |
| KM 180 | 9254318234 | 1500 | 600 | 2500 | 1800 | 1000 | 650 | 3450 | 2790 | 6250 | 3 | 1150 | 950 | 875 | Ø900/600 | FK900, FK1000, FK1100 |

Cyclone legs are not included with the unit but can be purchased separately.



Technical Data

KM Cyclones



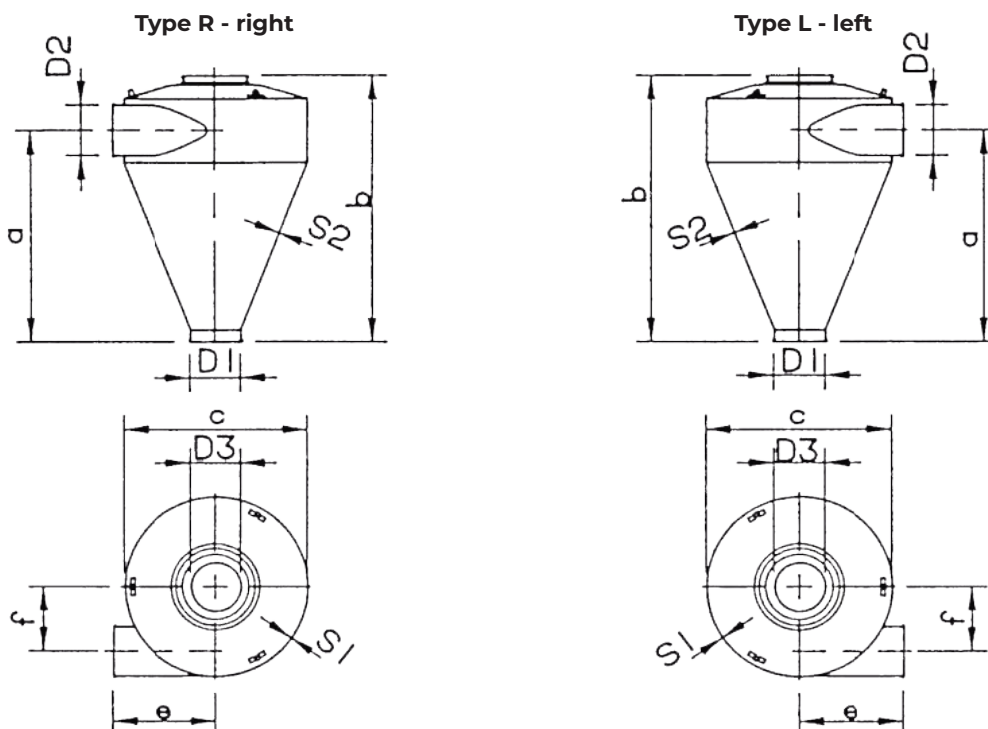
Dimensions

IC, SC, UC, and RC Cyclones

| Type | EDP-No. | Air volume Max m ³ /h | Type | a mm | b mm | c ∅ mm | D1 ∅ mm | D2 ∅ mm | D3 ∅ mm | e mm | f mm | S1 mm | S2 mm | Surface |
|---------------------------------------|-----------|-------------------------------------|------|---------|---------|--------------|---------------|---------------|---------------|---------|---------|--------------|----------|-----------------|
| UC 160 | 122000698 | 2000 | R | 350 | 523 | 579 | 160 | 160 | 200 | 324 | 208 | 0.9 + 1.25** | 0.9 | Galv. |
| UC 160 | 122000872 | 2000 | R | 320 | 502 | 579 | 200 | 160 | 200 | 320 | 210 | 2.0 + 2.5** | 1.5 | Painted |
| UC 200 | 122050202 | 3000 | L | 367 | 562 | 705 | 300 | 200 | 250 | 380 | 247 | 2.0* | 2.0* | Painted |
| SC 500/700 | 121130262 | 2000 | L | 577 | 757 | 579 | 250 | 160 | 200 | 378 | 210 | 2.0 | 1.5 | Painted |
| SC 1000 w/ 15° upwards inlet | 121150056 | 1800 | L | 1006 | 1208 | 822 | 375 | 160 | 200 | 352 | 317 | 2 + 3** | 2 + 3** | Painted |
| RC 12 | 131000047 | 1800 | R | 678 | 852 | 579 | 160 | 160 | 200 | 324 | 208 | 0.9 + 1.25** | 0.9 | Galv. |
| RC 20 | 131021007 | 2500 | L | 1050 | 1223 | 754 | 160 | 200 | 250 | 375 | 273.5 | 1.25 | 1.25 | Painted |
| RC 20 | 131020100 | 2500 | L | 986 | 1159 | 754 | 200 | 200 | 400 | 375 | 273.5 | 1.25 + 2.5** | 1.25 | Painted |
| RC 40 | 131040007 | 5500 | L | 1425 | 1688 | 1130 | 200 | 300 | 600 | 563 | 410 | 1.5 | 1.5 | Painted |
| IC 20, 20° bottom cone, w/o basket | 131025101 | 2000 | L | 645 | 830 | 595 | 200 | 160 | 200 | 378 | 210 | 2.0 | 1.5 | Painted |
| IC 30, 30° bottom cone, w/o basket | 121000719 | 2000 | L | 450 | 595 | 595 | 200 | 160 | 200 | 378 | 210 | 2.0 | 1.5 | Painted |
| Stainless Steel | | | | | | | | | | | | | | |
| UC FK160R w/ closed basket | 122710179 | 2000 | L | 450 | 655 | 595 | 200 | 160 | 200 | 378 | 210 | 2 | 2 | Stainless steel |
| RC 20 w/ open bottom basket | 122710171 | 2500 | L | 1051 | 1243 | 750 | 160 | 200 | 400 | 375 | 274 | 2 | 2 | Stainless steel |
| IC 20 w/ closed basket | 122710217 | 2000 | L | 647 | 841 | 584 | 200 | 160 | 200 | 378 | 210 | 2 | 1,5 | Stainless steel |
| IC 20 w/ open basket | 122710225 | 2000 | L | 647 | 841 | 584 | 200 | 160 | 200 | 378 | 210 | 2 | 1,5 | Stainless steel |
| IC 20 w/ closed basket removable | 122710236 | 2000 | L | 647 | 841 | 584 | 200 | 160 | 200 | 378 | 210 | 2 | 1,5 | Stainless steel |
| IC 30 w/ open basket, 30° | 122710157 | 2000 | L | 473 | 667 | 602 | 200 | 160 | 200 | 378 | 210 | 2 | 1,5 | Stainless steel |
| IC 30, w/ closed basket | 122710169 | 2000 | L | 473 | 667 | 602 | 200 | 160 | 200 | 378 | 210 | 2 | 1,5 | Stainless steel |

* Special hard wear resistant Docol steel

** Wear plate thickness

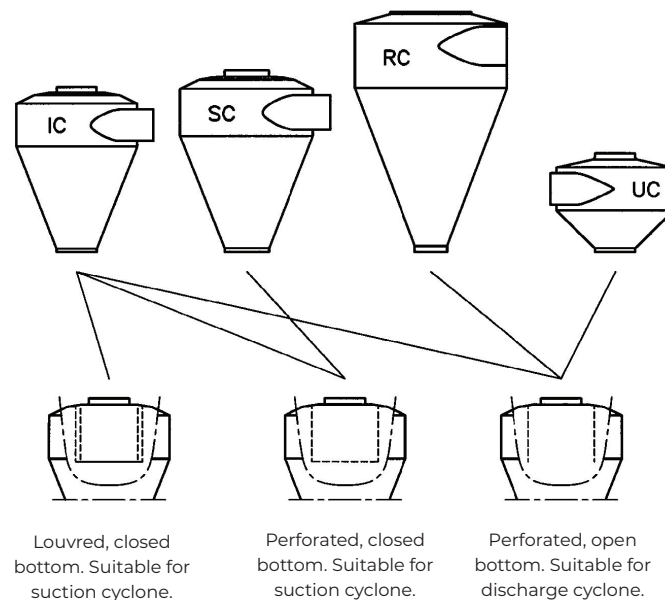


Cyclone Model Comparison

Compare all available cyclone models.

| Model | EDP-No. | Weight, kg | Standard inlet/length, mm | Typical Applications |
|--|-------------|------------|---------------------------|---|
| KM 20 | 9254320224 | 49 | 100 x 230 | Light material, dust discharge |
| KM 35 | 9254335224 | 59 | 125 x 285 | Light material, dust discharge |
| KM 50 | 9254350224 | 70 | 160 x 350 | Light material, dust discharge |
| KM 65 | 9254365224 | 115 | 200 x 445 | Light material, dust discharge |
| KM 100 | 9254310224 | 270 | 300 x 560 | Light material, dust discharge |
| KM 130 | 9254313234 | 565 | 400 x 750 | Light material, dust discharge |
| KM 160 | 9254316234 | 685 | 500 x 1100 | Light material, dust discharge |
| KM 180 | 9254318234 | 875 | 600 x 1500 | Light material, dust discharge |
| UC 160 | 122000698 | 13 | OK160 | Granules discharge blowing system |
| UC 160 | 122000872 | 23 | OK160 | Granules discharge blowing system |
| UC FK 160R | 122710179 | 20 | OK160 | Granules discharge blowing system |
| UC 200 | 122050202 | 56 | OK200 | Granules discharge blowing system |
| SC 500/700 | 121130262 | 27.4 | OK160 | Granules discharge suction system |
| SC 1000 | 121150056 | 81 | OK160 | Granules discharge suction system |
| RC 12, OK160 | 131000047 | 15 | OK160 | Light material discharge blowing system |
| RC 20, OK200 | 131021007 | 58 | OK200 | Light material discharge blowing system |
| RC 20 | 131020100 | 58 | OK200 | Light material discharge blowing system |
| RC 20, FK 200R w/ open bottom basket | 122710171 | 55 | OK200 | Light material discharge blowing system |
| RC 40, FK 300 | 131040007 | 118 | FK300 | Light material discharge blowing system |
| IC 20, 20° bottom cone, w/o basket | 131025101** | 25 | OK160 | Granules (light material) discharge blowing or suction system |
| IC 20, FK160R w/ closed basket | 122710217 | 23 | FK160 | Granules discharge suction system |
| IC 20, FK160R w/ open basket | 122710225 | 23 | FK160 | Light material discharge blowing system |
| IC 20, FK160R w/ closed basket removable | 122710236 | 24 | FK160 | Granules discharge suction system |
| IC 30, 30° bottom cone, w/o basket | 121000719** | 23 | OK160 | Granules discharge blowing or suction system |
| IC 30, FK160R w/ open basket | 122710157 | 22.5 | FK160 | Granules discharge blowing system |
| IC30, FK160R w/ closed basket | 122710169 | 23 | FK160 | Granules discharge suction system |

** Filter basket to be added



Kongskilde Industries A/S

Tel. +45 72 17 60 50

industry@kongskilde-industries.com

www.kongskilde-industries.com

