

KU Separator

Data sheet

The Kongskilde KU Separator is designed for pneumatic conveying systems in the paper, plastic, and packaging industries.

The Kongskilde KU Separator is placed at the end of the conveying system where the material is discharged into a stationary compactor, baler or a container.

When incorporating the KU Separator into a pneumatic system, only a minimal volume of air is discharged downwards

together with the discharged material.

The conveying air is blown out through the air outlet of the KU Separator, either directly into the open air or to a filter which will remove any dust from the conveying air. If using a filter solution, an exhaust fan is required.



KU Separator Models

The Kongskilde KU Separator range consists of 7 models. Ranging from the KU 4000 rated at max. 3,500 m³/h to the KU 40000 rated at max. 32,000 m³/h or from 2.1 tons of material per hour up to 19.2 tons.

Each model offers various inlets and some models also offer different outlets. This makes the KU Separator suitable for many different applications.



Technical Data

Type	Airflow [m ³ /h]	Material [t/h]	Material size
KU 4000	3,500	2.1	Plastic film (soft): 10-250µm Paper or cardboard: Up to 100 g/m ³
KU 6000	4,800	2.9	
KU 10000	8,500	5.1	
KU 14000	11,200	6.7	
KU 20000	16,000	9.6	
KU 30000	24,000	14.4	
KU 40000	32,000	19.2	

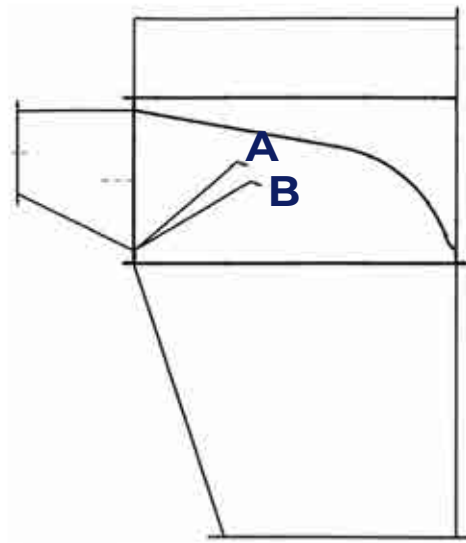
Type	Height incl. lifting lugs [mm]	Width [mm]	Depth excl. inlet/outlet [mm]	Weight [kg]
KU 4000	1,341	658	837	85
KU 6000	1,341	858	837	108
KU 10000	1,909	1,556	1,233	220
KU 14000	3,453	1,860	2,549	750
KU 20000	2,550	2,254	2,070	750
KU 30000	2,949	2,760	2,583	900
KU 40000	3,435	3,457	2,683	1,200

Airflow and Accessories

A certain amount of air flowing through the material discharge opening cannot be avoided. Using a vacuum blower to extract the air from the unit will reduce this flow of air through the material to a minimum.

The KU 4000, 6000 and 10000 separators come with a guide plate, which may be installed to help guide the airflow towards the air outlet. It can be installed in two configurations (positions).

If the waste contains a lot of small particles, the guide plate should be removed. This way the small particles will not be directed to the screen, which will reduce the risk of these to go through the screen.



A: Position 1
B: Position 2

Accessories

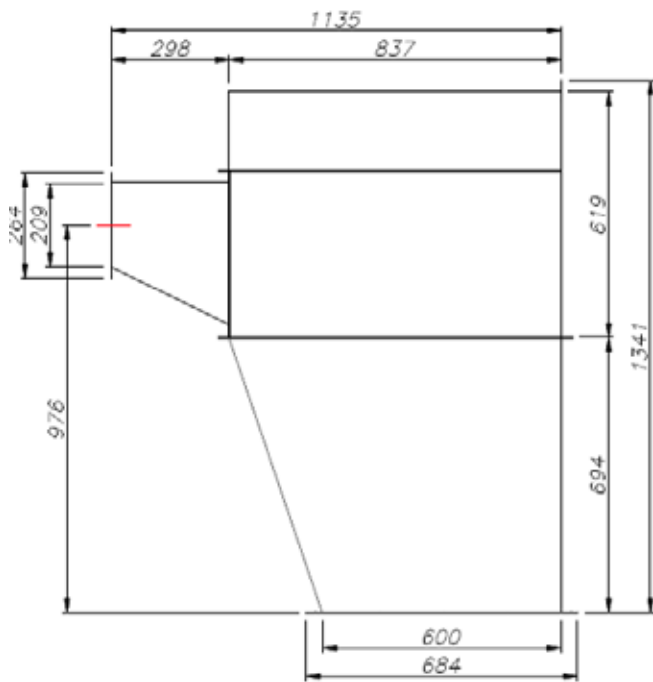
Transitions are available for easy connection of a pipe system if filtration is required.

In cases where transitions are not used, we recommend the use of outlet cover.

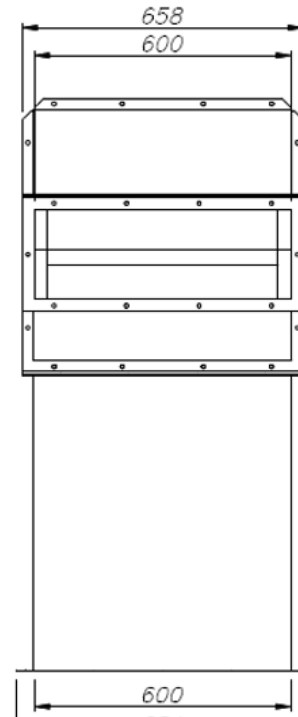
Type	Inlet	Air outlet	Material outlet [mm]
KU 4000	1 x OK 160 or 2 x OK 160 or 1 x OK 200	FK 250	684 x 684
KU 6000	2 x OK 160 or 2 x OK 200 or 1 x FK 250	FK 300	684 x 884
KU 10000	4 x OK 160 or 3 x OK 200 or 2 x FK 250 or 1 x FK 300	FK 300	718 x 1120
KU 14000	Inlet and outlets will be designed according to system demands		1020 x 1020
KU 20000			1000 x 1100
KU 30000			1520 x 1520
KU 40000			1520 x 1520

KU 4000

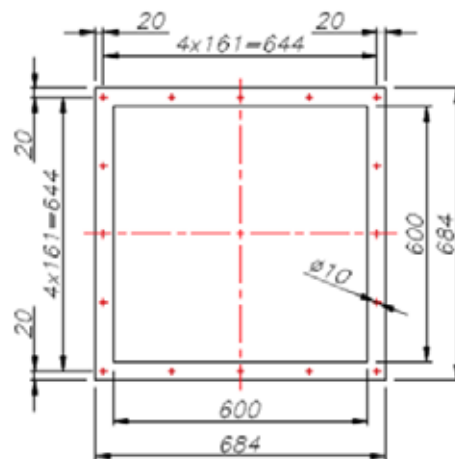
FRONT VIEW



LEFT VIEW

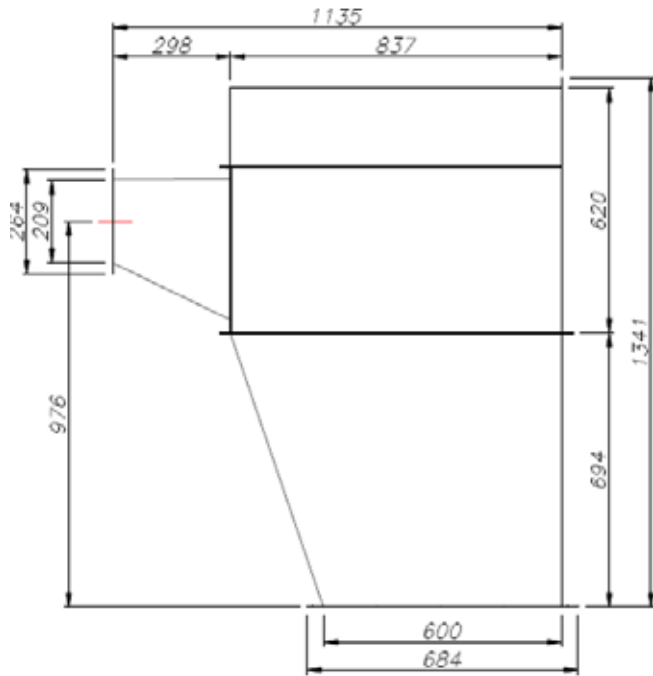


MATERIAL OUTLET FLANGE

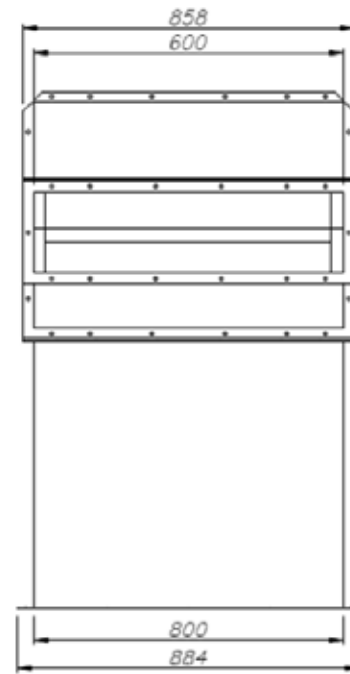


KU 6000

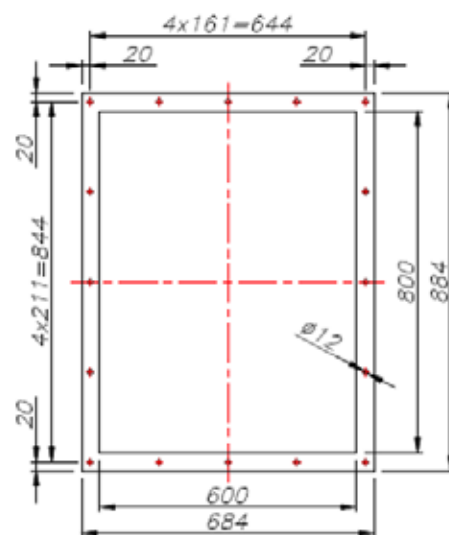
FRONT VIEW



LEFT VIEW

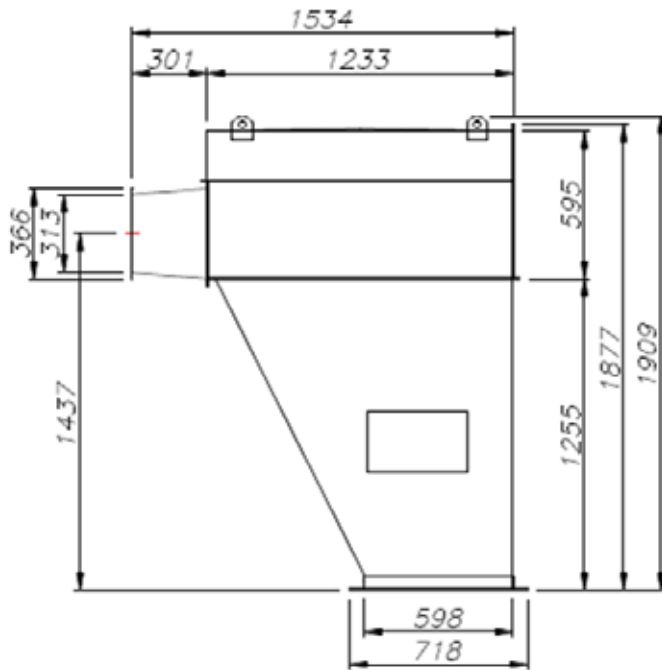


MATERIAL OUTLET FLANGE

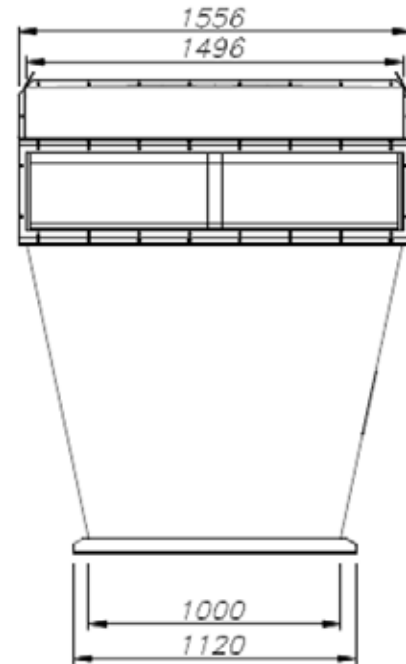


KU 10000

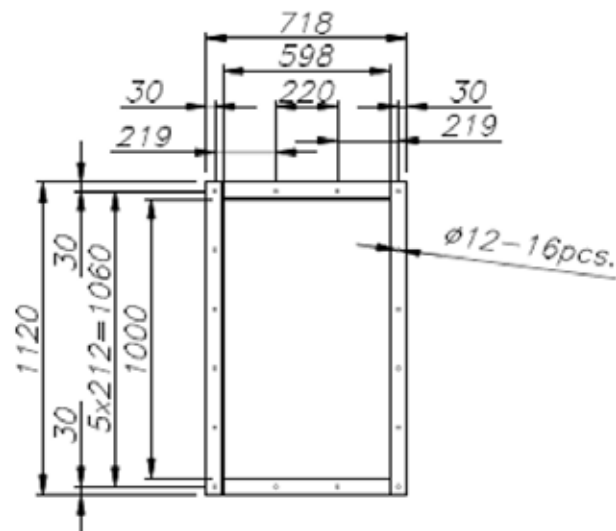
FRONT VIEW



LEFT VIEW

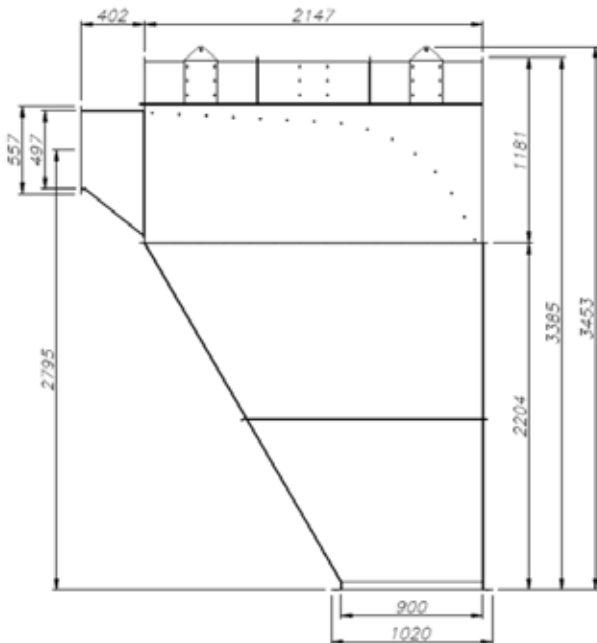


MATERIAL OUTLET FLANGE

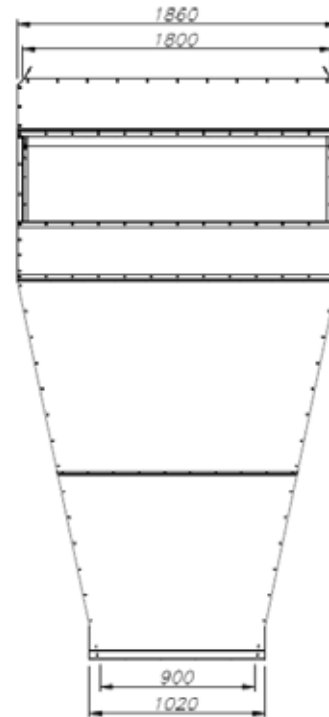


KU 14000

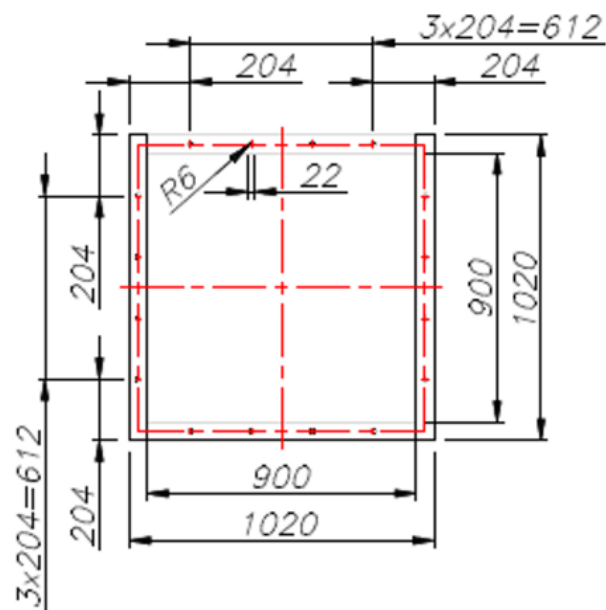
FRONT VIEW



LEFT VIEW

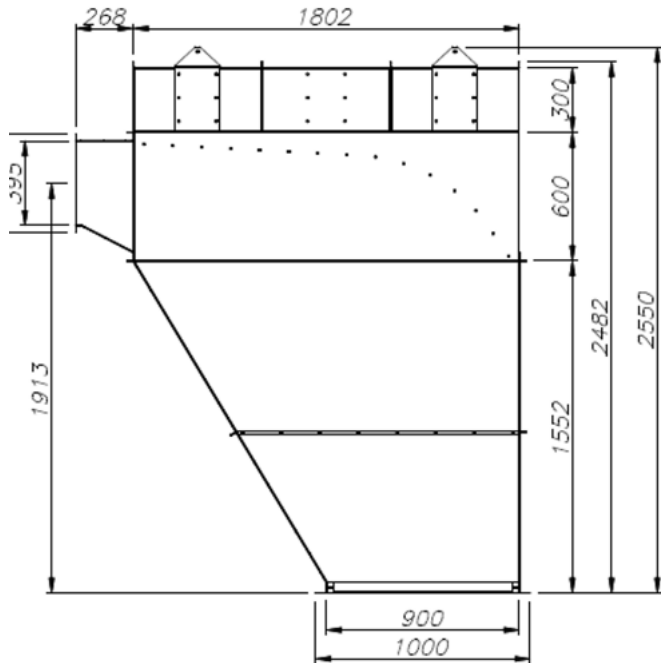


MATERIAL OUTLET FLANGE

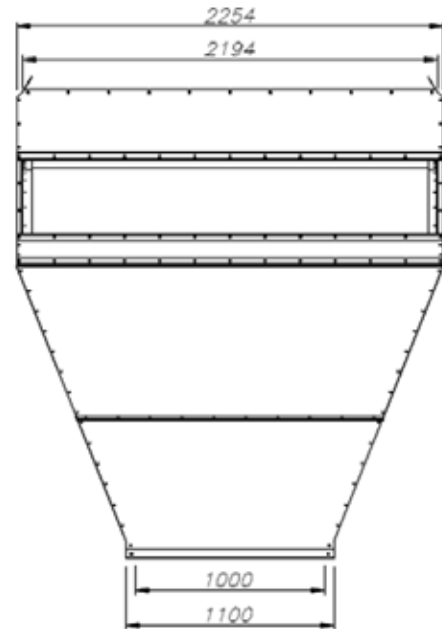


KU 20000

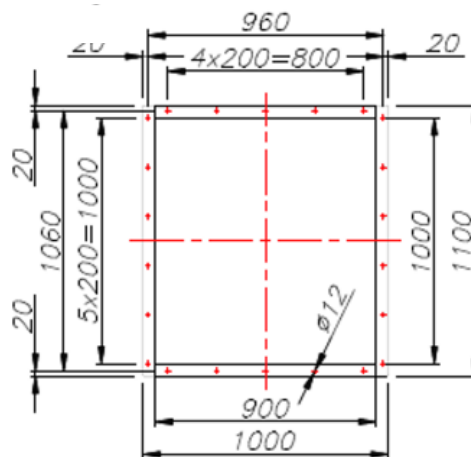
FRONT VIEW



LEFT VIEW

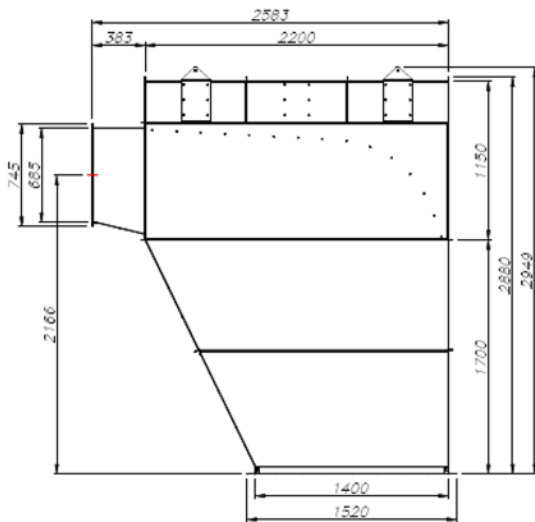


MATERIAL OUTLET FLANGE

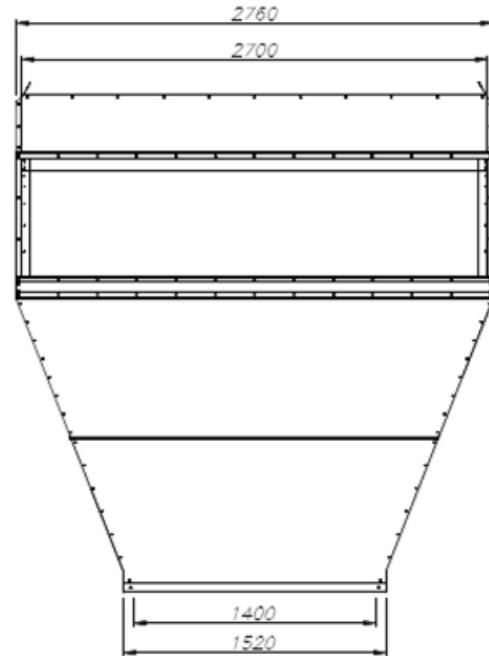


KU 30000

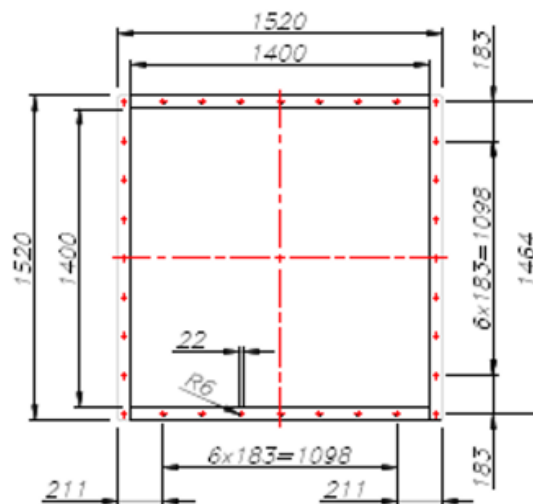
FRONT VIEW



LEFT VIEW

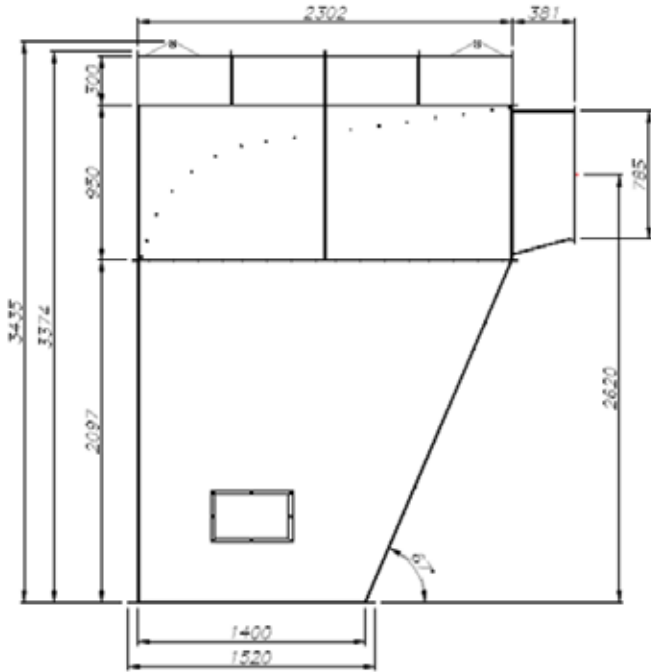


MATERIAL OUTLET FLANGE

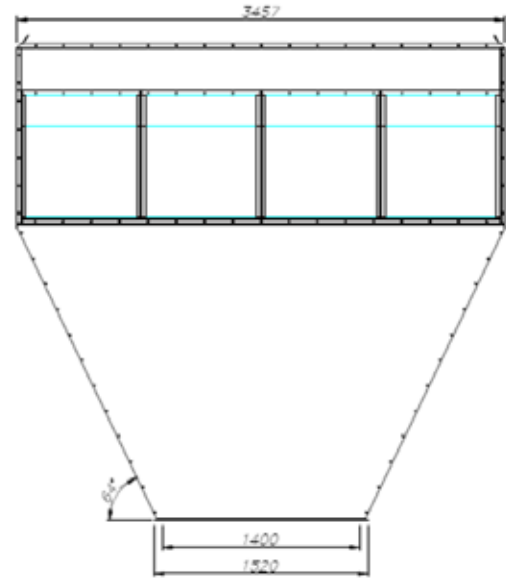


KU 40000

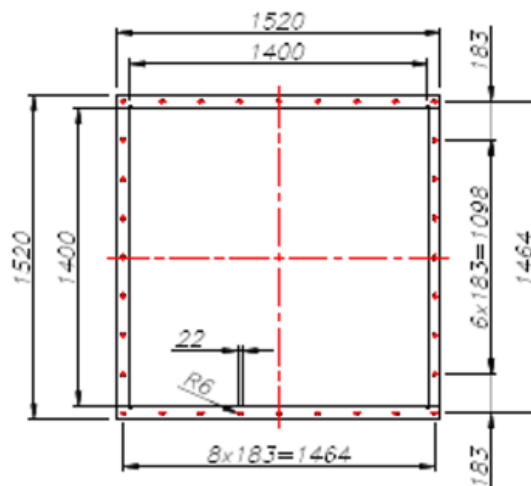
FRONT VIEW



LEFT VIEW



MATERIAL OUTLET FLANGE



Subject to be changed without notice. 123002020 EXP/GB/KU/DATA/1121

Kongskilde Industries A/S

Tel. +45 72 17 60 50

industry@kongskilde-industries.com

www.kongskilde-industries.com

K KONGSKILDE
Air solutions / your success