

# MultiAir® FC 2080/2110/2190/2220

## Data Sheet

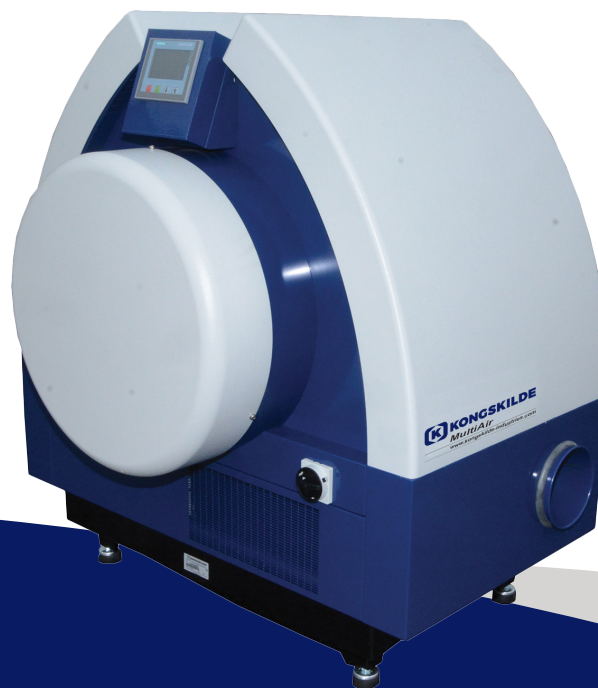
Specially designed for the paper, packaging, and plastic industries, these flexible high pressure Kongsilde MultiAir® FC 2000 blowers are an excellent choice for conveying of raw materials, process waste, and finished goods.

### MultiAir® FC 2000 series – 4th generation

- Latest AC drive technology for reduced power consumption
- Modern soundproof cabinet
- Intuitive touch screen interface for easy operation and adjustment
- Touch screen control with 10m cable extension
- High-efficiency centrifugal blower design
- Standard electric components for control
- Up to three external motors controllable for start/stop (digital output)
- Optional automatic airflow or pressure control
- Compatibility with external feedback signals (0-10V or 4-20mA)
- Programming via SD card

### User benefits

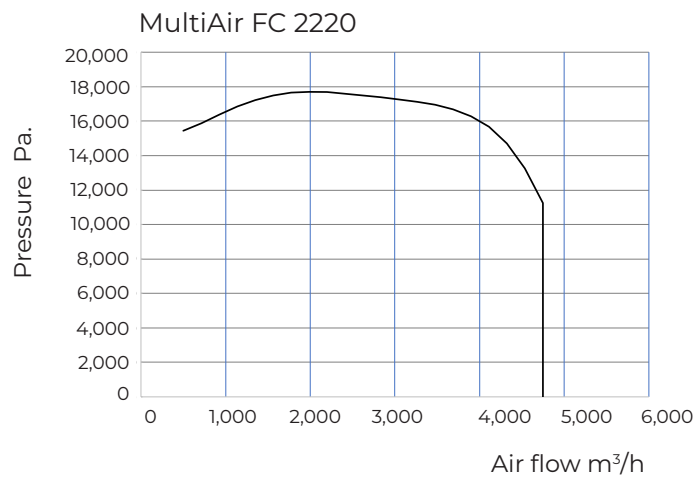
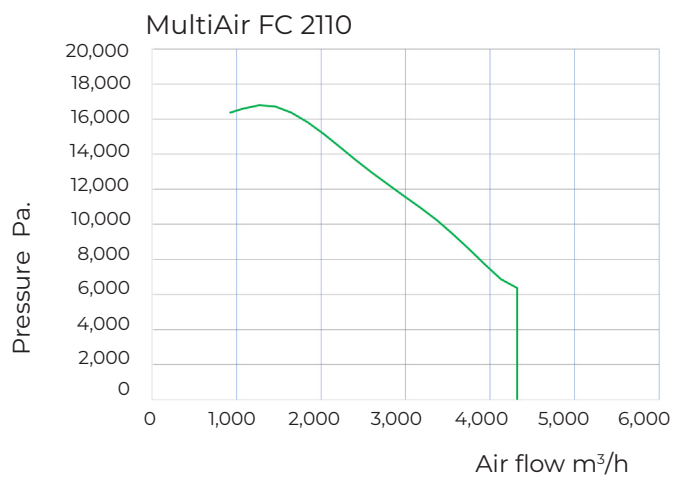
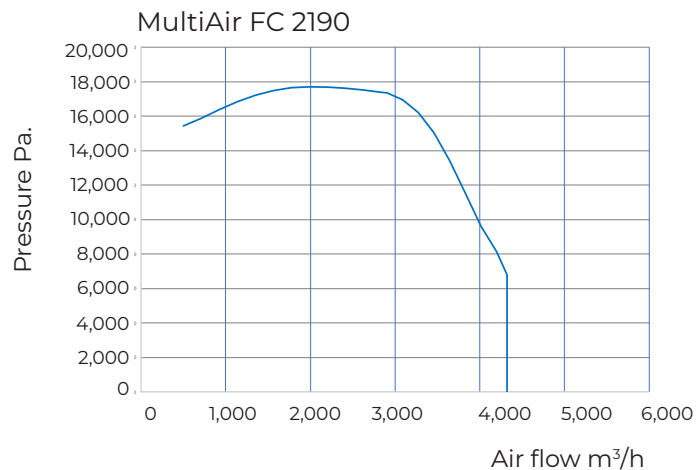
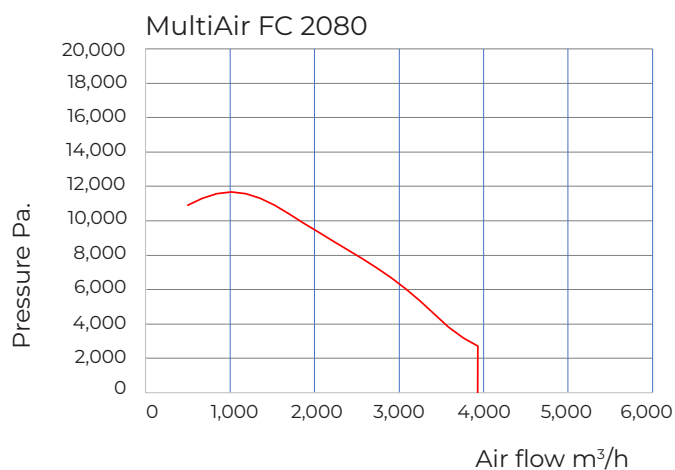
- Precise performance adjustment minimizes energy consumption
- Low noise level enables flexible installation
- Minimal maintenance due to few moving parts
- Standard electric components ensure easy access to parts
- Optional air flow control optimizes conveying efficiency, reducing wear and damage
- Optional pressure control maintains constant pressure regardless of airflow
- Suitable for extraction systems with varying flow demand
- Customizable to meet local requirements



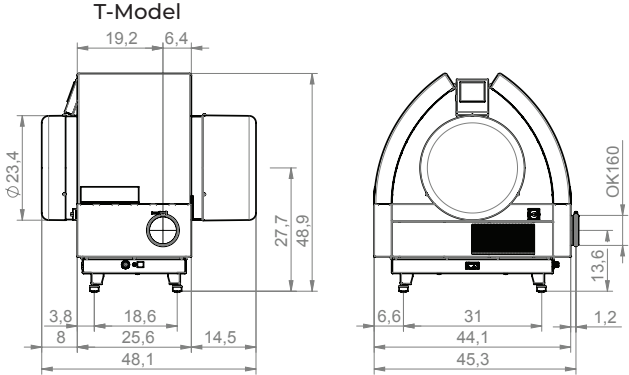
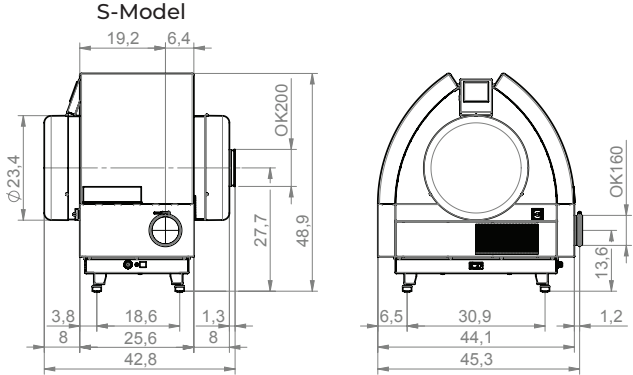
# Technical Data

MultiAir® type	2080	2110	2190	2220	
AC Drive output max. (kW)	7.5	11	18.5	22	
Power supply	380 - 480 V, 50 or 60 Hz				
Min. fuse rating	25A	50A	50A	63A	
Max. fuse rating	63A	63A	63A	63A	
Air flow vs. Pressure	m <sup>3</sup> /h	Pressure Pa			
	1800	10,100	15,900	17,600	17,600
	2800	7,000	12,200	17,400	17,400
	4000	-	7,400	9,700	16,000
Weight, FC, kg	290	331	335	342	
Heating of air at 1800 m <sup>3</sup> /h in °C	10	14	20	20	
Ambient temperature	-10°C to 50°C				
MultiAir® FC models	Blower performance is adjusted manually on panel. Optional air flow or pressure control can be used for control of blower performance				
Certification	CE UL/CUL - upon request				
Noise level	≈ 72-76 dB (A) (Application dependent)				

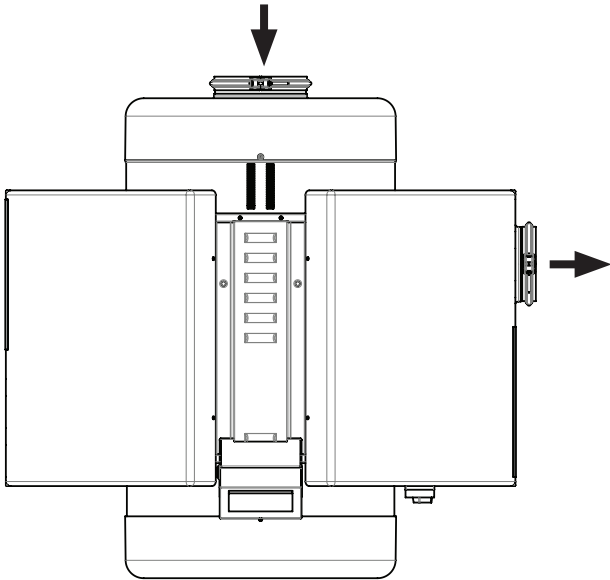
## Performances for MultiAir® FC 2000 series



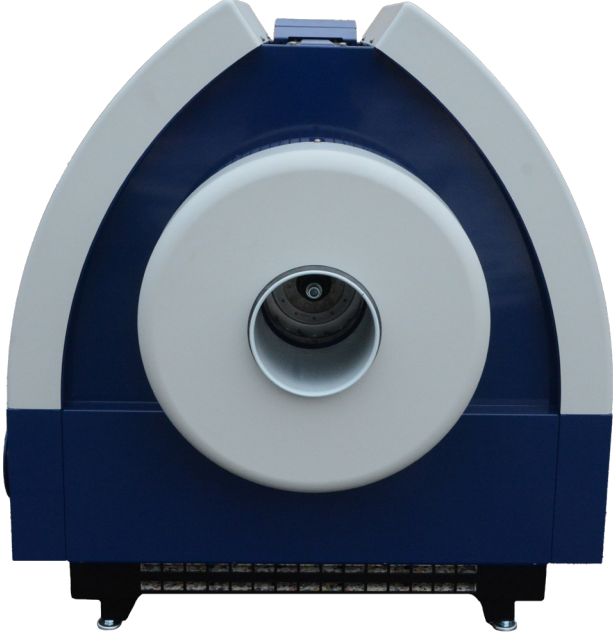
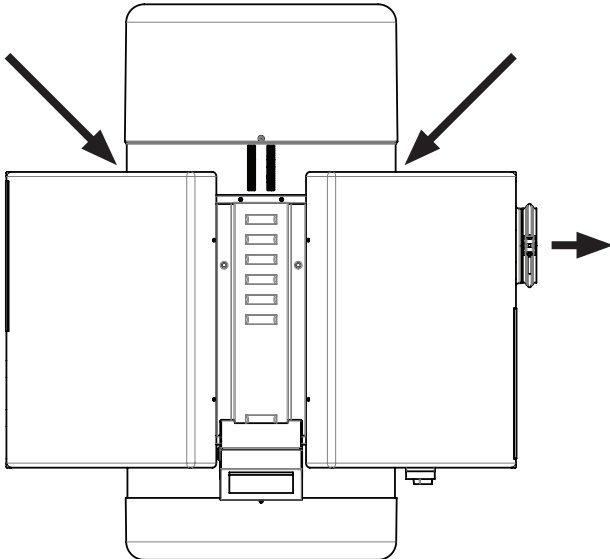
# Dimensions



**S-Version**



**T-Version**



**Kongskilde Industries USA Inc.**  
Tel.: +1 309 452 3300  
kna@kongskilde-industries.com  
www.kongskilde-industries.com

