

RVS 5000H

Data Sheet

Technical Data

| RVS 5000H | |
|--|-------------------------|
| Max. air volume on air + material inlet | 5,000 m ³ /h |
| Max. negative pressure | -25 kPa |
| Max. positive pressure - paper/cardboard | 5 kPa |
| Max. positive pressure - plastic | 0 Pa |
| Motor/Gear | 1.1 kW / 13 rpm |
| Power supply | 3 x 230 / 400V 50Hz |
| Amps | 4.3 / 2.5 A |
| Perforation in separation screen in the housing | Ø3 mm |
| Weight | 340 kg |
| Material amount (at 100 g/m ² or 100µ)* | 1,200 kg/h* |
| Max. sound pressure level (1 m from unit, 1 m above floor) | 75 dB(A) |
| Normal operating temperature | -10°C to +50°C |
| Corrosion protection | Corrosion class C4 |
| Conditions - Installation | Indoors and Outdoors |
| Approval | Not ATEX approved |

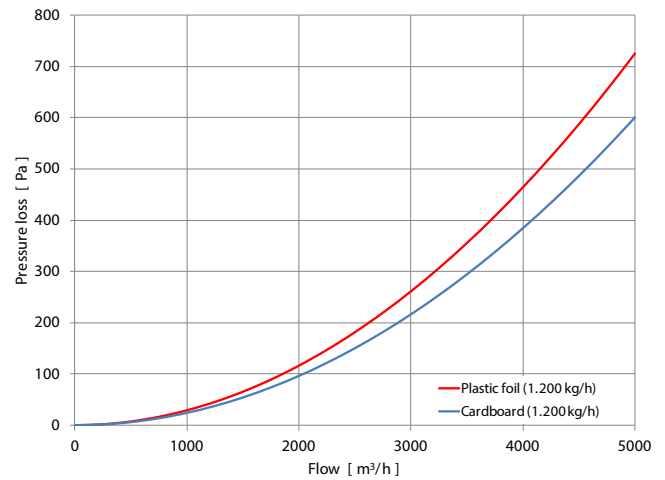
* Material amount is a guideline. For exact capacity, a verification from Kongskilde is required.

Max. particle size: Max. length of plastic film and paper material is 300 mm. For thicker material, max. length is 150mm (diagonal)

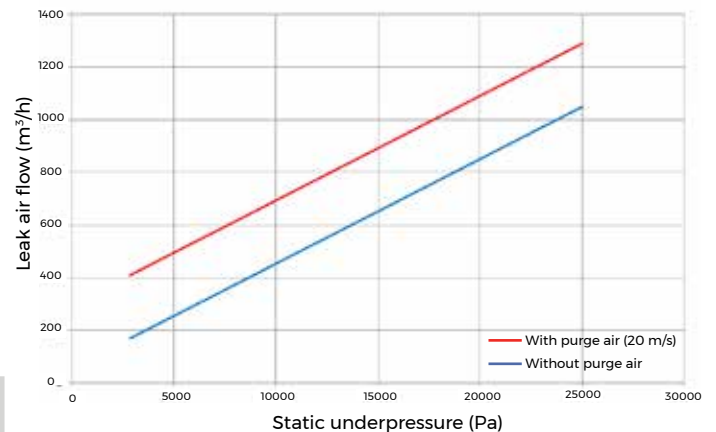
Inlet and Outlet

| Transition for material and air inlet | | Transition for air outlet | |
|---------------------------------------|-----------------|---------------------------|-----------------|
| Pipe connection | Length, Surface | Pipe connection | Length, Surface |
| OK 200 | 353 mm, galv. | OK 200 | 493 mm, galv. |
| FK 250 | 450 mm, galv. | FK 250 | 468 mm, galv. |
| FK 300 | 450 mm, galv. | FK 300 | 443 mm, galv. |
| FK 400 | 450 mm, galv. | FK 400 | 393 mm, galv. |
| OK 200 | 353 mm, painted | OK 200 | 493 mm, painted |
| FK 250 | 328 mm, painted | FK 250 | 468 mm, painted |
| FK 300 | 327 mm, painted | FK 300 | 443 mm, painted |
| FK 400 | 377 mm, painted | FK 400 | 393 mm, painted |

Back Pressure Diagram



Air Leakage Diagram

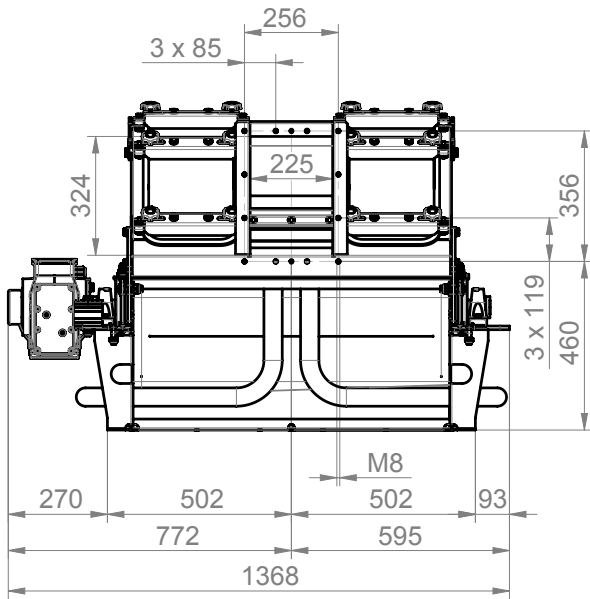


Purge air is used to ventilate the bearing room when running plastic material. The red curve (with purge air) is then used for leakage air when handling plastic material. The blue curve is only used when running paper and cardboard. The leakage air has to be added to the air flow of the separator inlet.

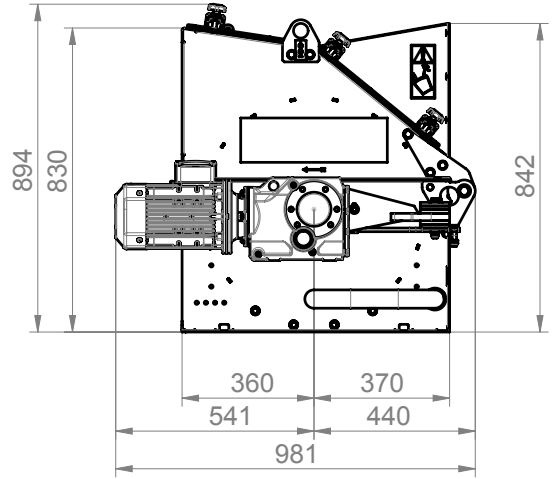


Dimensions RVS 5000H

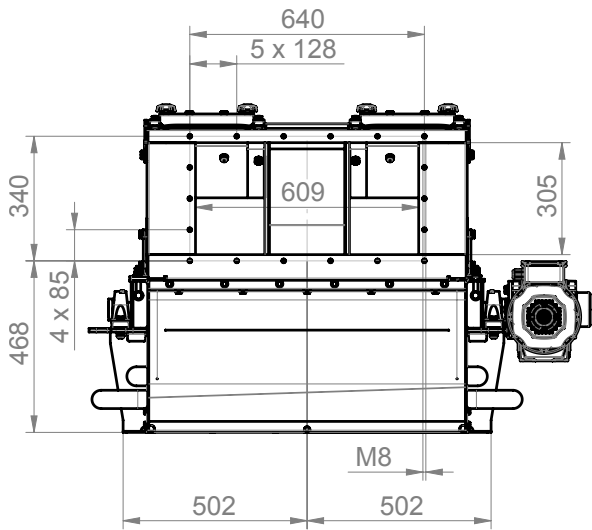
Air and Material Inlet Side



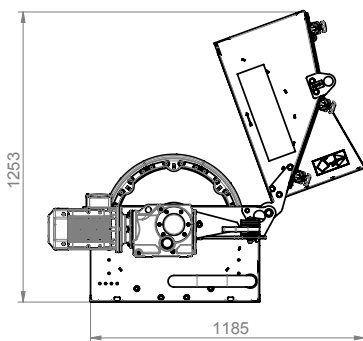
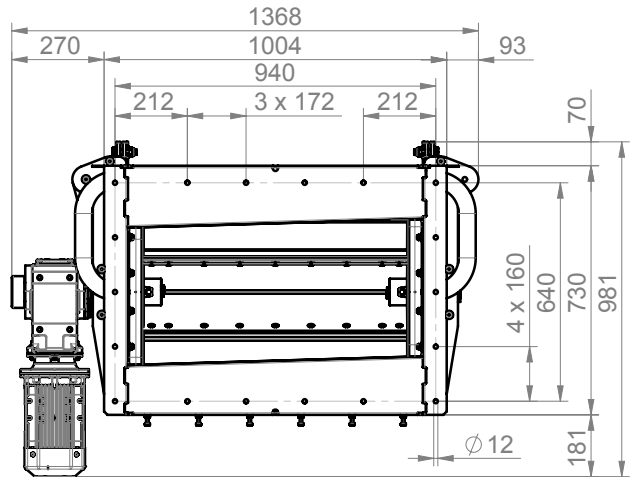
Side View Drive Side



Air Outlet Side



Bottom Material Outlet



Subject to be changed without notice. 123001920 EXP/GB/RVS 5000H/DATA/0919

Kongskilde Industries A/S
 Tel.: +45 72 17 60 50
 industry@kongskilde-industries.com
 www.kongskilde-industries.com

