

Stainless Rotary Valve RF 20R - RF 40R

Data sheet

Rotary valves are highly efficient devices for discharging material from a cyclone or filter under vacuum or pressure, as well as for feeding granules or flakes into a pressurized air conveying pipeline. They can also facilitate the transfer of material in combined systems that transition between different pressure levels.

The stainless-steel rotary valves RF 20R and RF 40R are designed and manufactured for efficient feeding and unloading of various materials.

All surfaces that come into contact with the conveyed material are made from stainless steel W-ST 4301 or AISI 304L to avoid contamination of conveyed material from contact with the rotary valve.

- **Maximum material temperature:** 70°C
- **Rotor:** 6 blades with Vulcollan sealing lips
- **Drive system:** Equipped with helical worm gear motors (0.55 kW or 1.1 kW)
- **Pressure handling:** Supports a pressure difference of up to 40,000 Pa between the top and bottom

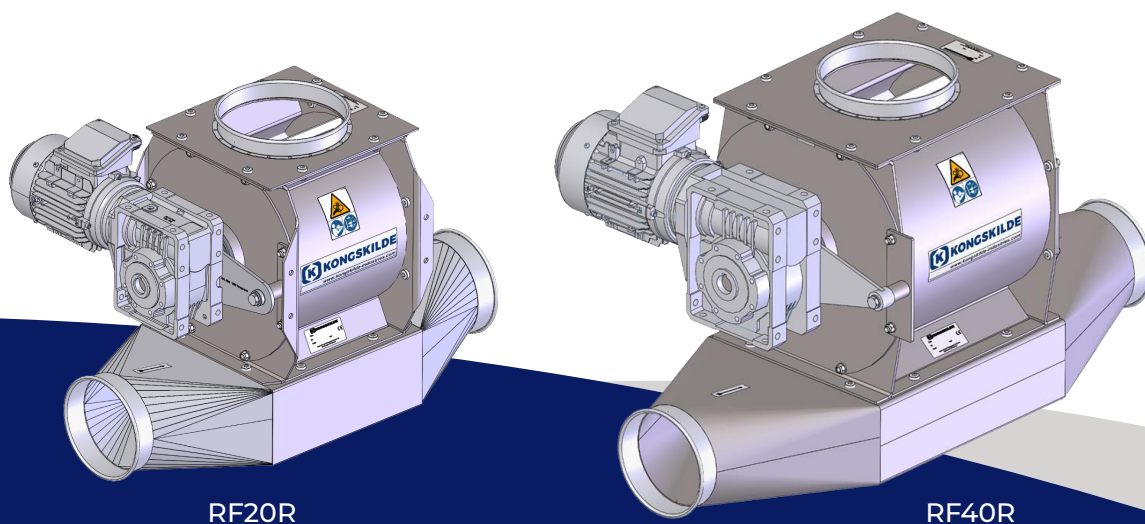
RF 20R Technical Data

Rotary Valve RPM	Gear Ratio	Motor kW	Capacity 70% filling m ³ /h	Capacity 85% filling m ³ /h*	Power Supply	Motor RPM	Gear Drive	Weight kg
31	1:45	0,55	21	25	3 x230/400V 50Hz	1410	Worm	38
35	1:38	0,75	24	29	3 x230/400V 50Hz	1430	Worm	42

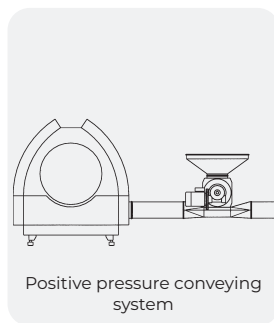
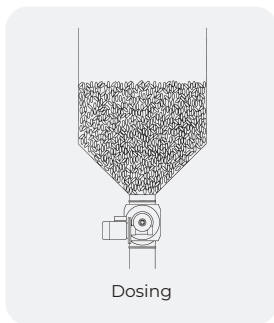
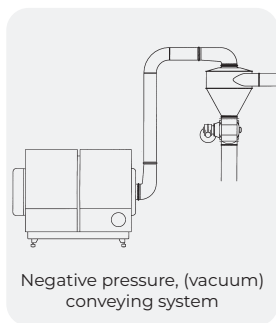
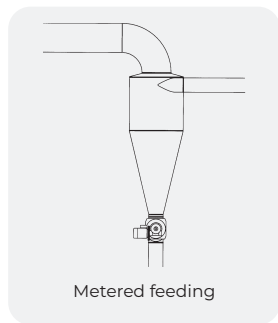
RF 40R Technical Data

Rotary Valve RPM	Gear Ratio	Motor kW	Capacity 70% filling m ³ /h	Capacity 85% filling m ³ /h*	Power Supply	Motor RPM	Gear Drive	Weight kg
28	50	1,1	34	41	3 x230/400V 50Hz	1400	Worm	56

*With normal, easy floating granules 85% filling can be used



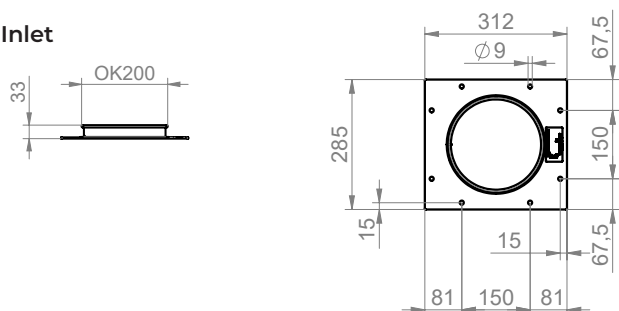
Typical Applications



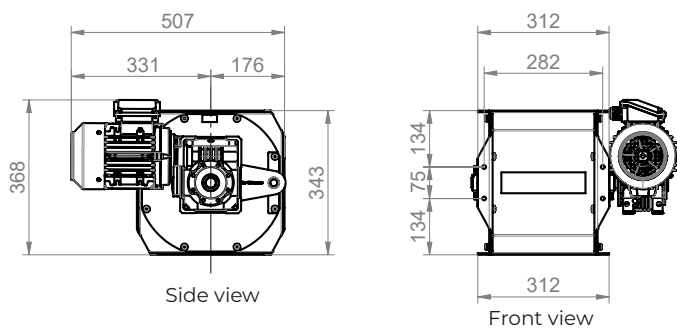
Dimensions

RF 20R Dimensions, mm

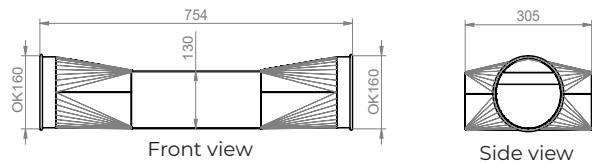
Inlet



Rotary Valve

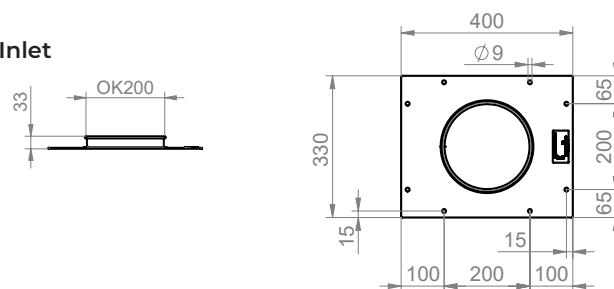


Outlet

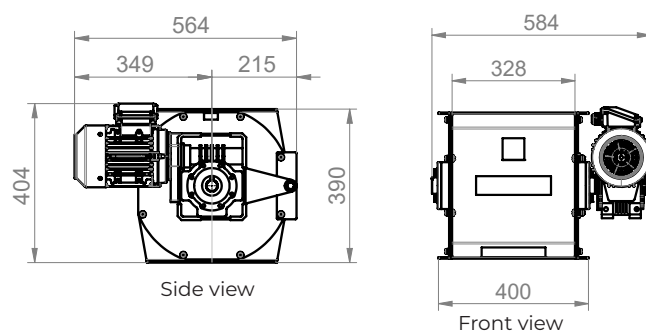


RF 40R Dimensions, mm

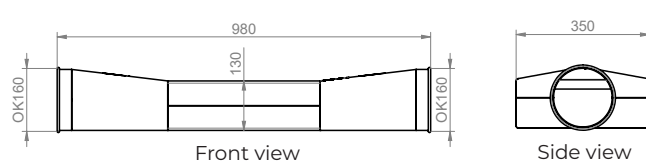
Inlet



Rotary Valve



Outlet



Kongskilde Industries A/S

Tel. +45 72 17 60 50

industry@kongskilde-industries.com

www.kongskilde-industries.com

