

MultiAir 1000

Data sheet

The Kongskilde MultiAir high pressure blower is specially designed to be part of complete pneumatic conveying solutions for industry.

In combination with the other Kongskilde industrial products effective conveying systems are tailor-made to the needs of the customer.

The MultiAir 1000-series is available with air capacity of up to 2800 m³/h and with a maximum pressure of up to 620 mmWG (6.0 kPa).

The Kongskilde MultiAir is modular built in a specially designed cabinet. The cabinet provides excellent noise insulation and can be placed inside the production area. Furthermore, all the electrical components are IP55 approved, so the MultiAir can also be placed outside.

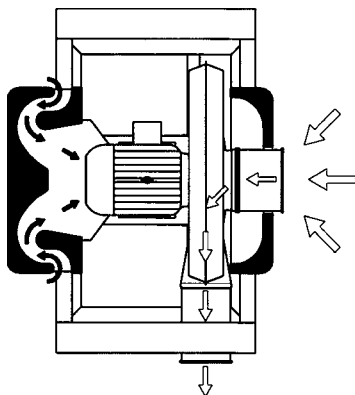
The motor is directly coupled to the blower leading to a high efficiency and minimal maintenance.

A special intake for the cooling air for the motor and the air intake of the blower minimizes high frequency noise (whistling), which is normally associated with these areas. The cooling air for the motor is exhausted out through a built in silencer in the bottom part of the blower cabinet, when it has passed the motor.

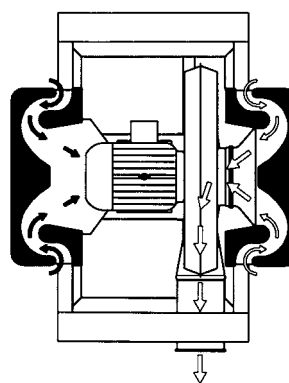
Access for maintenance and repair of the MultiAir is easily achieved by removing the side panels, which are each fixed with two screws.



S-version



T-version



Technical Data

The MultiAir is available as a pressure blower (T-version) and as a suction blower (S-version).

MultiAir type	1030	1050	1055
Motor output [HP] 60 Hz	3.0	5.0	10.0
Rated current 460 V	3.9	6	12
Rated current 575 V	3.4	5.6	11.9
Motor rpm	3500	3500	3500
Blower rpm	3500	3500	3500
Weight [lbs]	354.2	374	426.8
Sound Pressure Level* dB (A) Distance 3.3 ft	63	66	69

*The noise level is measured in 3.3 ft distance from the machine and 5 ft from the floor.
The machine is placed in a free field with OK160 pipe connected to the outlet and the inlet in a standard working situation.

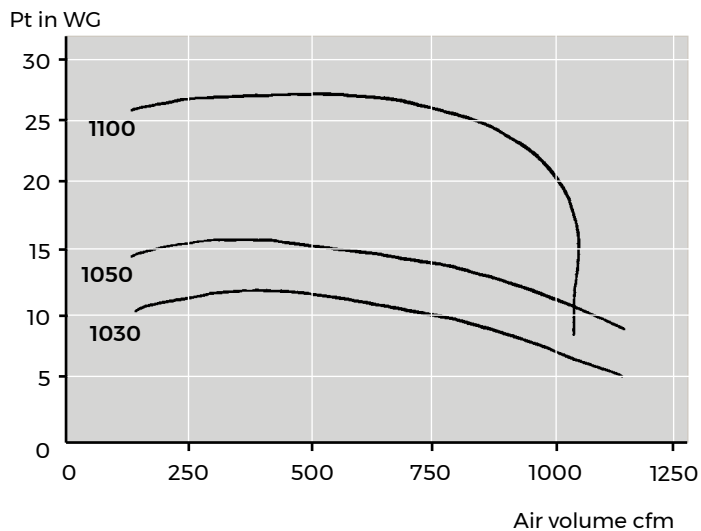
Filter

The filter option is available for MultiAir T-versions only.

Filter specifications	
Filter material	Polyester
Weight	0.28 lb/sq yd
Thickness	0.025 in
Max. working temperature	Dry air: 158° F Humid air: 158° F
Filter Class	U(BIA test 8702697/6210)
Filter Area	156 sq ft

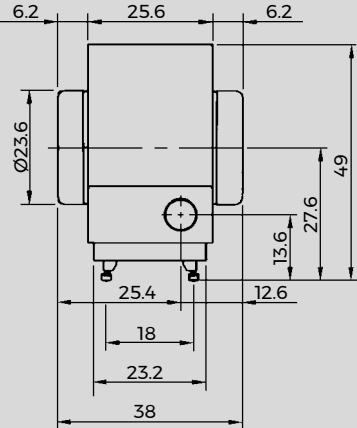
Capacity Curve

Pressure

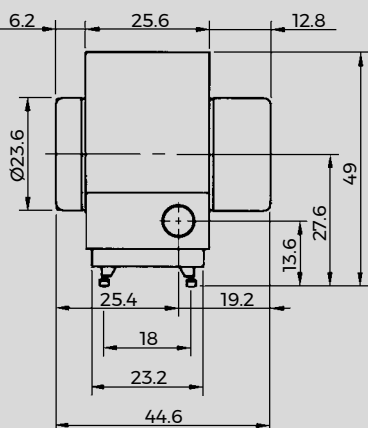


Dimensions

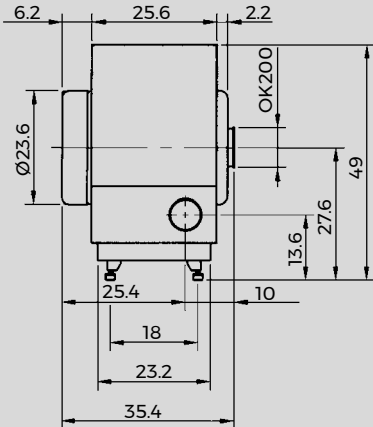
MultiAir 1030T/1050T/1100T without air regulation



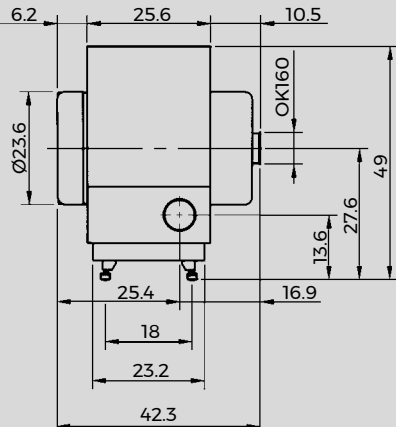
MultiAir 1100T with air regulation



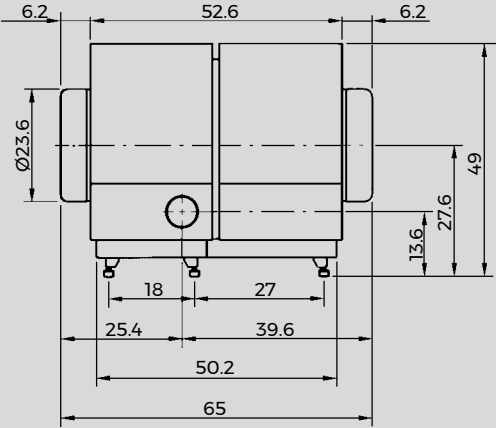
MultiAir 1030S/1050S/1100S without air regulation



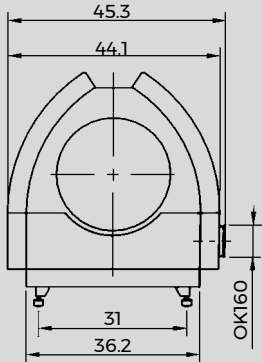
MultiAir 1100S with air regulation



MultiAir 1030T/1050T/1100T with filter



Measurements cover all models





Subject to be changed without notice. 123001594-KNA/CB/MultiAir 1000/DATA/0618

Kongskilde Industries USA Inc.
1802 Industrial Park Drive, Unit A
Normal, IL 61761
Tel.: (309) 452-3300
kna@kongskilde-industries.com
www.kongskilde-industries.com

K KONGSKILDE
Air solutions / your success