

# MTD 20 - 40

## Data sheet

Kongskilde MTD Blowers are direct coupled centrifugal units designed for handling material through the blowers.

The Kongskilde blowers are equipped with a self cleaning rotor, with 6 backwards curved blades and an aerodynamic inlet. The rotor statically and dynamically balanced and directly coupled to the shaft of the motor.

The MTD blower rotors are constructed in 4mm steel plate for MTD 20-22-25-30 and in 5mm steel plate for MTD 35 and MTD 40.

The MTD blower houses are constructed in 3mm steel plate. Kongskilde deliver the blowers in a grey painted version with models available for both 50Hz and 60Hz areares.

With the MTD blower range a volume up to 11,000m<sup>3</sup>/h and a max pressure of 440mm WG can be reached.

If noise reduction is required the MTD blower series can be delivered as an option build into a sound enclosure. The sound enclosure are constructed in with 1.25mm galvanized steel plates on the outside insulated with noise absorbing material.

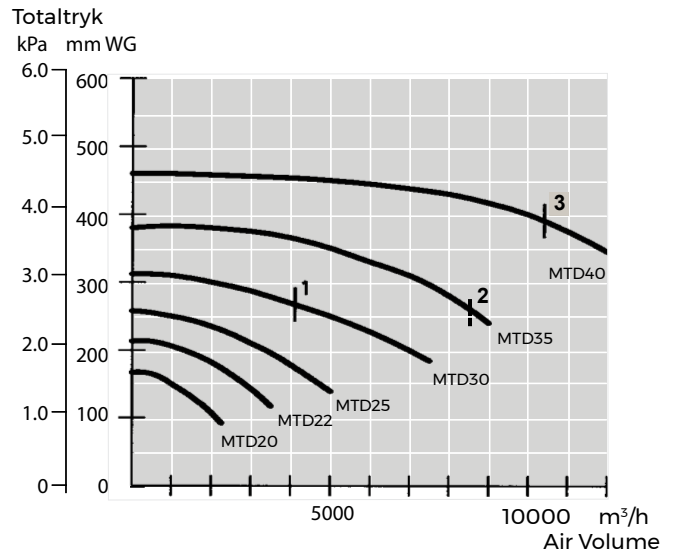


## Technical Data

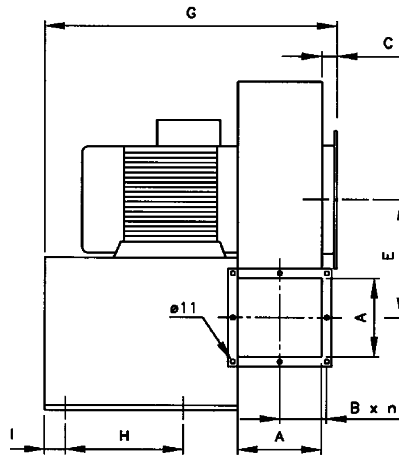
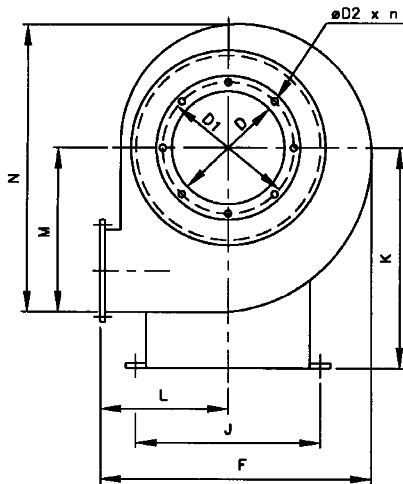
Type	Motor kW*	Rpm	Amp consumption	Weight kg	Noise level 1m dB (A)	Standard inlet/length mm
MTD 20	1.1	2880	2.3	41	74	OK160/265
MTD 22	2.2	2850	4.4	54	73	OK200/215
MTD 25	4	2900	7.5	76	76	OK200/265
MTD 30	5.5	2800	10.5	102	80	Ø250/260
MTD 30	7.5	2900	13.5	107	80	Ø250/260
MTD 35	11	2920	20	154	80	Ø250/360
MTD 35	15	2920	27	191	80	Ø250/360
MTD 40	18.5	2920	33	207	84	Ø300/360
MTD 40	22	2940	39	283	84	Ø300/360

\*Specifications for 3 x 400 V, 50 Hz, IP55

## Blower characteristic



## Dimensions



Type	A mm	B mm	C mm	D mm	D1 mm	øD2 mm	n mm	E mm	F mm	G mm	H mm	I mm	J mm	K mm	L mm	M mm	N mm
MTD 20	140	85x2	33	200	235	9	12	207	448	406	141	40	329	325	198	284	500
MTD 22	166	98x2	29	225	260	9	12	220	500	475	192	40	326	340	224	310	552
MTD 25	186	108x2	30	250	285	9	12	248	582	530	210	50	356	384	273	348	618
MTD 30	206	118x2	36	300	335	9	12	267	631	644	230	50	356	415	293	377	676
MTD 35	225	128x2	45	350	389	11	12	320	670	740	360	50	390	515	293	438	770
MTD 40	250	94x3	55	400	439	11	12	330	740	810	400	50	488	500	326	462	824



## Sound enclosure

Kongsild can as an option deliver the MTD blowers build into a noise enclosure which will reduce the noise significantly.

The noise enclosure is standard equipped with a cooling fan. Standard

the cooling fan is supplied a 3 phases, 3 x 400 V, 50Hz version.

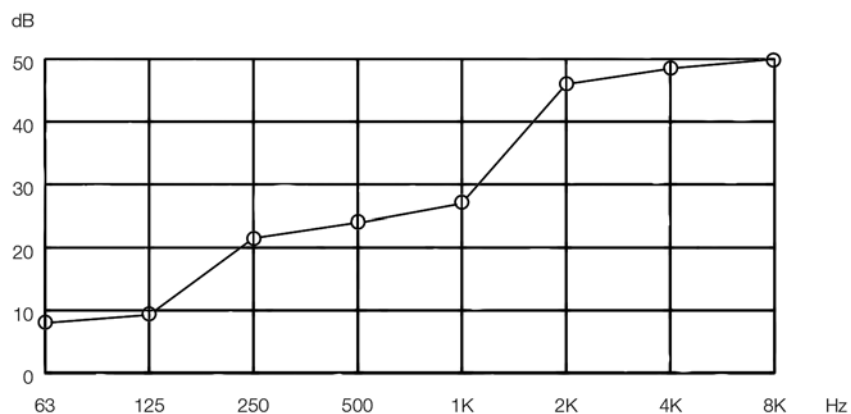
Standard the noise enclosure is constructed with 1,25mm galvanized steel plates with a layer of 40mm sound absorbing material which also is fire retardant.

Kongsildes sound enclosure is assembled as a quick rail assembly system, which ensures easy mounting, and service from all 4 sides.

## Sound Enclosure, Type BH

Fan	Housing	Length, mm	Width, mm	Height, mm	Weight, kg
MTD 20	30 BH	850	850	995	58
MTD 22	30 BH	850	850	995	58
MTD 25	30 BH	850	850	995	58
MTD 30	30 BH	850	850	995	58
MTD 35	40 BH	1150	1150	1295	105
MTD 40	40 BH	1150	1150	1295	105

## Diagram



The diagram shows the reduction in noise over the different frequencies for the noise enclosure.

The values in the diagram will have to be used in combination with the individual noise data for the specific blower.

**Kongsilde Industries A/S**

Tel. +45 72 17 60 50

[industry@kongsilde-industries.com](mailto:industry@kongsilde-industries.com)

[www.kongsilde-industries.com](http://www.kongsilde-industries.com)

 **KONGSKILDE**  
Air solutions / your success