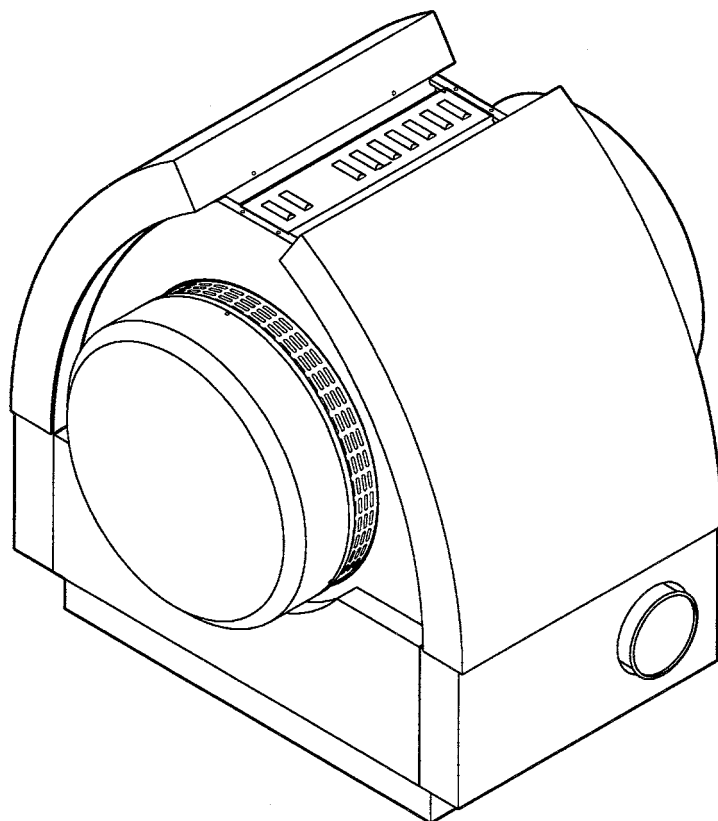


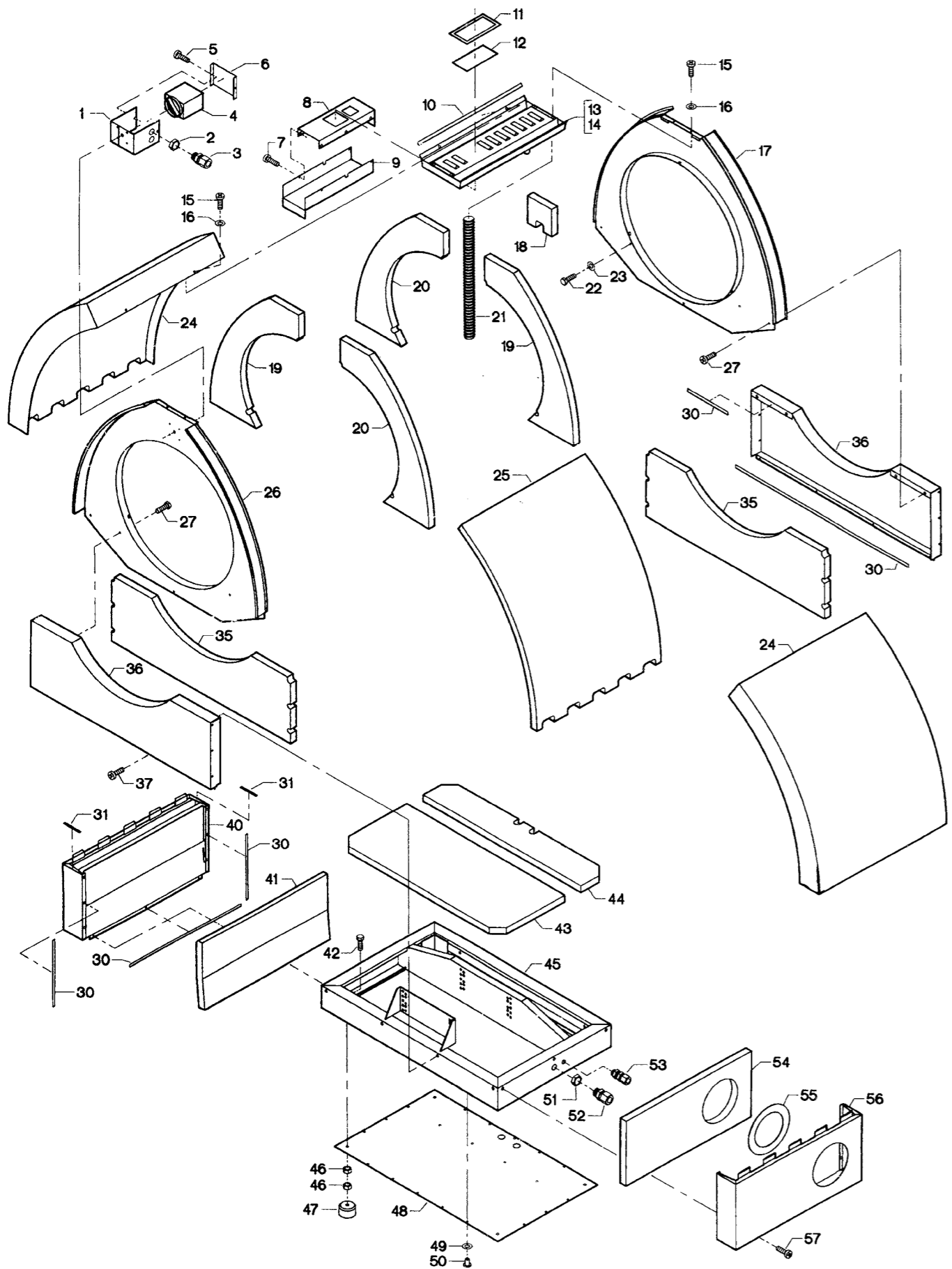
MultiAir 1000

High pressure blower



Spare parts list

MultiAir 1000



Spare parts list / MultiAir 1000. Date: 01.2020

Fig.	Part no.	Pieces	Notes
1	123 010 043	1	For Multiair 50 Hz
2	100 511 085	2	For Multiair 50 Hz
3	100 511 013	2	For Multiair 50 Hz
4	123 010 048	1	
5	100 321 014	2	Crosshead screw M6 x 12 mm, For Multiair 50 Hz
6	123 010 044	1	For Multiair 50 Hz
7	100 321 015	6	Crosshead screw M6 x 16 mm, for Multiair 60 Hz
8	123 000 048	1	For Multiair 60 Hz
9	123 010 041	1	For Multiair 60 Hz
10	100 202 030	-	
11	123 000 122	1	For Multiair 60 Hz
12	123 000 058	1	For Multiair 60 Hz
13	123 000 043	1	For Multiair 50 Hz
14	123 000 032	1	For Multiair 60 Hz
15	100 350 038	4	Crosshead screw M6 x 16 mm
16	100 350 027	4	Flat washer M6
18	123 000 443	1	
19	123 000 078	2	
20	123 000 077	2	
Cpl:	123 000 020	1	Complete incl. items 17 - 20
21	123 010 047	2	
22	100 323 041	1	Set screw M6 x 16 mm
23	100 331 004	1	Flat washer M6
24	123 000 130	2	Incl. item 25
25	123 000 081	2	
Cpl:	123 000 438	1	Complete incl. items 19, 20 and 26
27	100 321 015	7	Crosshead screw M6 x 16 mm
30	100 203 030	-	2 x 6 mm
31	100 203 095	-	
35	123 000 076	2	
Cpl:	123 000 021	2	Complete incl. items 30 + 35 - 36
37	100 321 015	8	Crosshead screw M6 x 16 mm
41	123 000 074	1	
Cpl:	123 000 135	1	Complete incl. items 30 - 31 + 40 - 41
42	100 308 037	4	Set screw M10 x 40 mm
43	123 000 070	1	
44	123 000 073	1	
46	100 315 013	8	Nut M10
47	100 323 329	4	ADM 5035
48	123 000 057	1	
49	100 331 048	20	Flat washer M4
50	100 334 040	20	Tubular rivet
Cpl:	123 000 137	1	Complete incl. items 42 - 50
51	100 511 085	1	Nut for PG 16
52	100 511 013	1	PG 16
53	100 511 091	1	PG 9
54	123 000 079	1	
55	123 000 107	1	
Cpl:	123 000 136	1	Complete incl. items 30 - 31 + 54 - 56
57	100 321 015	22	Crosshead screw M5 x 16

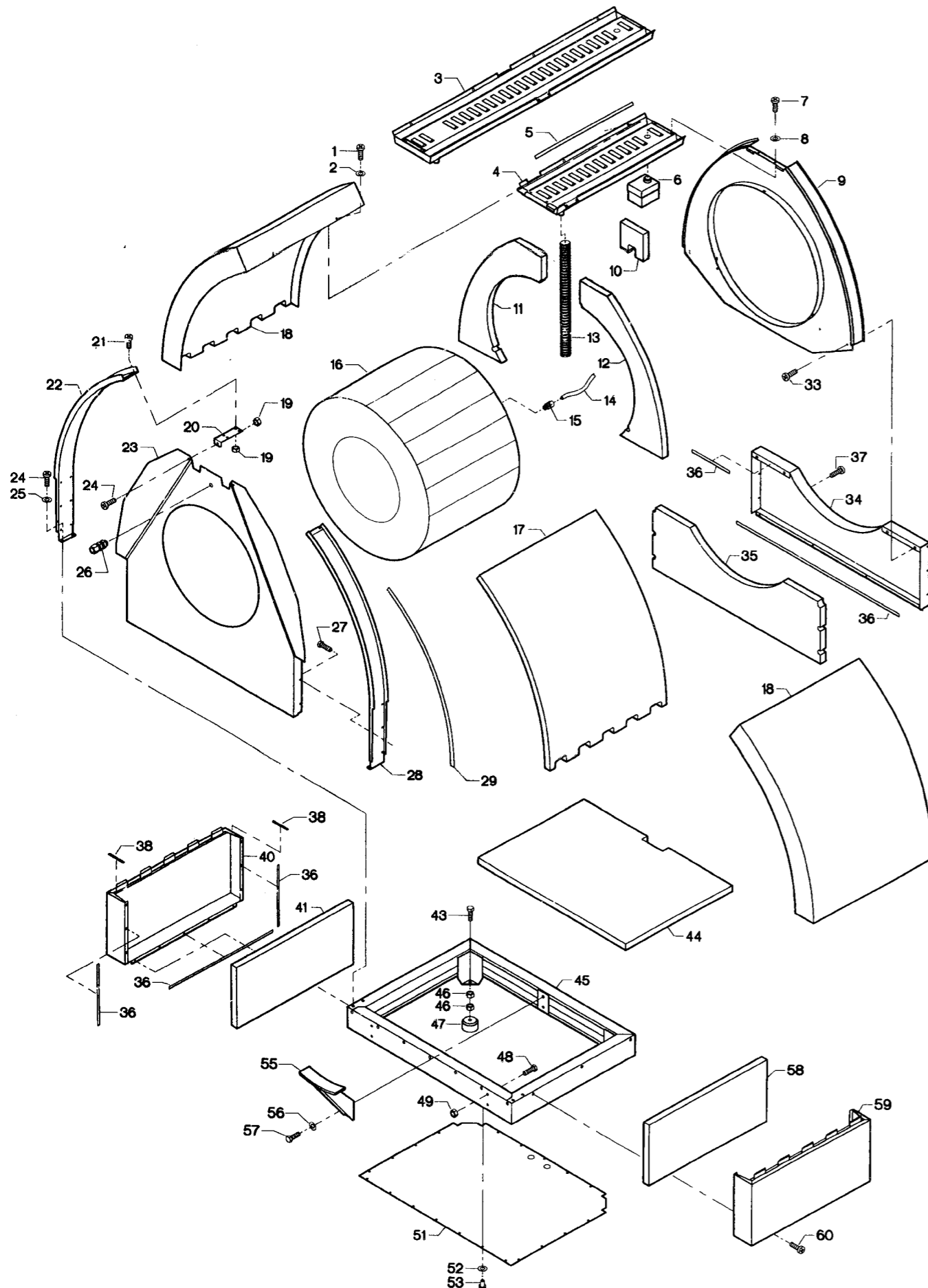
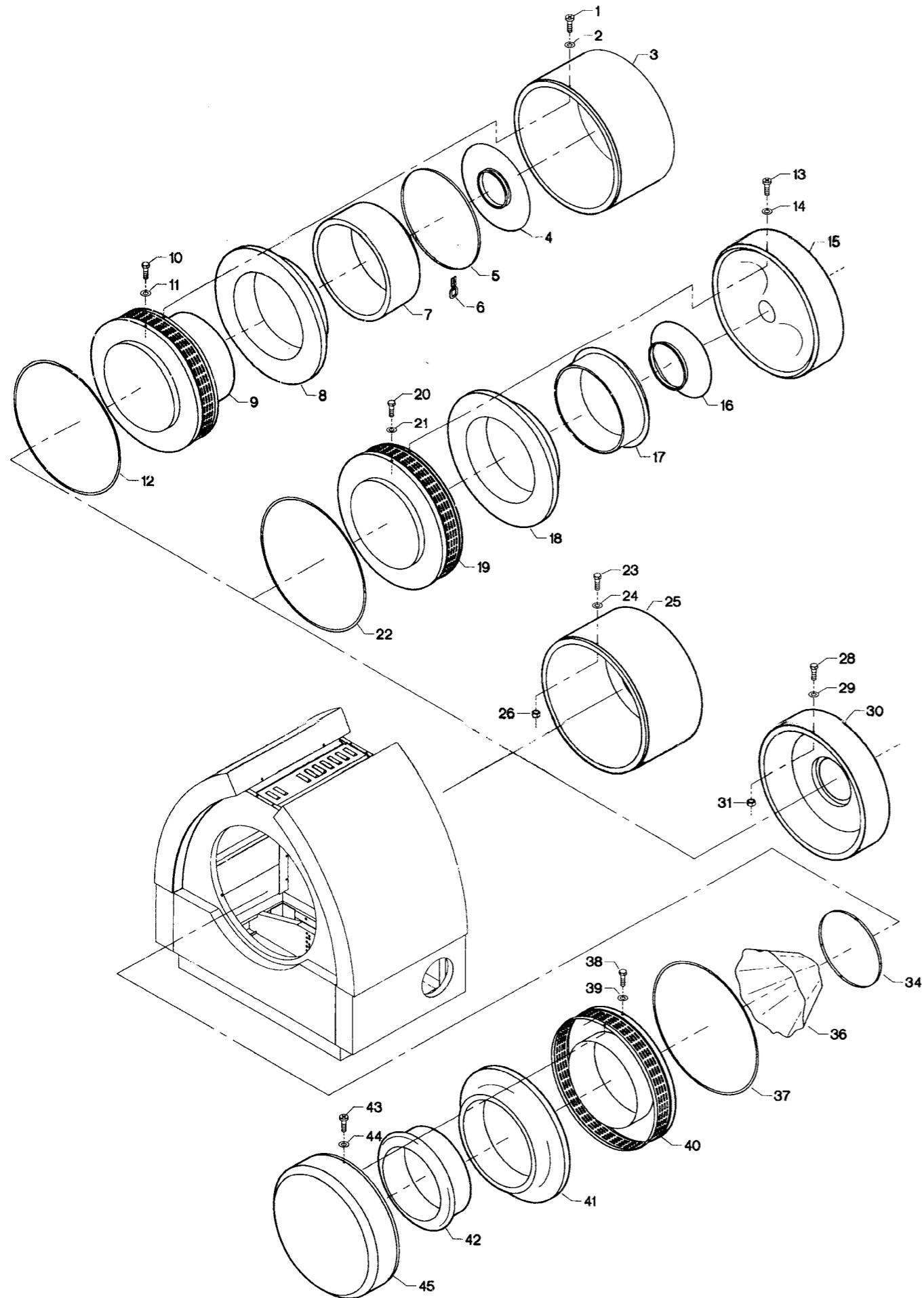


Fig.	Part no.	Pieces	Notes
1	100 350 038	4	Crosshead screw M6 x 16 mm
2	100 350 027	4	Flat washer M6
3	123 000 046	1	For Multiair 50 Hz
4	123 000 090	1	For Multiair 60 Hz
5	100 202 030	-	
6	123 000 446	1	For Multiair 50 Hz
7	123 000 445	1	For Multiair 60 Hz
8	100 350 038	4	Crosshead screw M6 x 16 mm
10	100 350 027	4	Flat washer M6
11	123 000 077	1	
12	123 000 078	1	
Cpl:	123 000 020	1	Complete incl. items 9 - 12
13	123 010 047	2	
14	100 203 099	-	Order 0.6 m.
15	100 511 089	1	CK M5 PK-4
16	123 000 354	1	
17	123 000 081	2	
18	123 000 130	2	Incl. item 17
19	100 316 002	6	Lock nut M6
20	123 000 352	2	
21	100 321 014	4	Crosshead screw M6 x 12 mm
22	123 000 085	1	
23	123 000 353	1	
24	100 323 041	6	Crosshead screw M6 x 16 mm
25	100 331 004	4	Flat washer M6
26	100 511 091	1	PG 9
27	100 321 014	6	Crosshead screw M6 x 12 mm
28	123 000 085	1	
29	100 203 097	-	
33	100 321 015	7	Crosshead screw M6 x 16 mm
Cpl:	123 000 021	1	Complete incl. items 34 - 36
35	123 000 076	1	
36	100 202 030	-	2 x 6 mm
37	100 321 015	8	Crosshead screw M6 x 16 mm
38	100 203 095	-	
41	123 000 080	1	
Cpl:	123 000 350	1	Complete incl. items 36 + 38 + 40 - 41
43	100 308 037	2	Set screw M10 x 40 mm
44	123 000 075	1	
45	123 000 035	1	
46	100 315 013	4	Nut M10
47	100 323 329	2	ADM 5035
48	100 306 015	4	Set screw M8 x 20 mm
49	100 316 003	4	Lock nut M8
51	123 000 349	1	
52	100 331 048	20	Flat washer M4
53	100 334 040	20	Tubular rivet
Cpl:	123 000 039	1	Complete incl. items 43 - 53
55	123 000 042	1	
56	100 331 013	2	Flat washer M6
57	100 323 041	2	Set screw M6 x 16 mm
58	123 000 080	1	
Cpl:	123 000 350	1	Complete incl. items 36 + 38 + 58 - 59
60	100 321 015	18	Crosshead screw M5 x 16

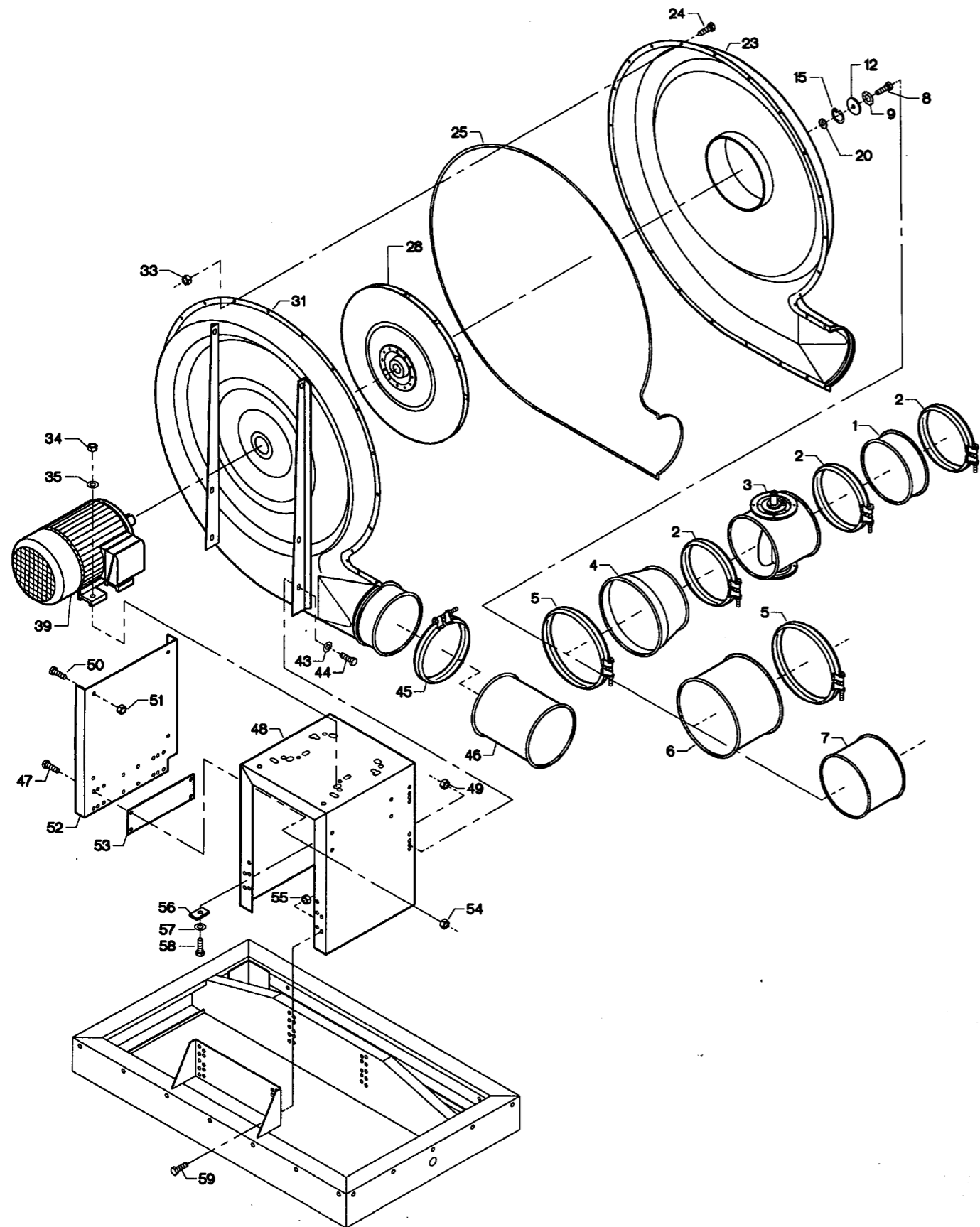
MultiAir 1000



Spare parts list / MultiAir 1000. Date: 01.2020

Fig.	Part no.	Pieces	Notes
1	100 350 038	3	Crosshead screw M6 x 16 mm
2	100 350 027	3	Flat washer M6
3	123 000 111	1	For Multiair TR
4	123 000 059	1	For Multiair TR
5	100 422 010	-	
6	100 422 011	2	
7	123 000 069	1	
8	123 000 065	1	
Cpl	123 000 118	1	Complete incl. items 7 - 9, for Multiair TR
10	100 308 018	3	Steel set screw M6 x 12 mm
11	100 331 004	3	Flat washer M6
12	100 203 030	-	
13	100 350 038	3	Crosshead screw M6 x 16 mm
14	100 350 027	3	Flat washer M6
15	123 000 112	1	For Multiair T
16	123 000 060	1	For Multiair T
17	123 000 066	1	
18	123 000 065	1	
Cpl	123 000 117	1	Complete incl. items 17 - 19, for Multiair T
20	100 308 018	3	Set screw M6 x 12 mm
21	100 331 004	3	Flat washer M6
22	100 203 030	-	
23	100 308 018	3	Set screw M6 x 12 mm
24	100 331 004	3	Flat washer M6
25	123 000 113	1	For Multiair SR
26	100 316 075	3	Flange nut M6
28	100 308 018	3	Set screw M6 x 12 mm
29	100 331 004	3	Flat washer M6
30	123 000 114	1	For Multiair S
31	100 316 075	3	Flange nut M6
34	100 420 119	4	Cable binder 7,6 x 760 mm
36	123 000 086	1	
37	100 203 030	-	
38	100 308 018	3	Set screw M6 x 12 mm
39	100 331 004	3	Flat washer M6
41	123 000 065	1	
42	123 000 066	1	
Cpl	123 000 117	1	Complete incl. items 40 - 42
43	100 350 038	3	Crosshead screw M6 x 16 mm
44	100 350 027	3	Flat washer M6
45	123 000 112	1	

MultiAir 1000



Spare parts list / MultiAir 1000. Date: 01.2020

Fig.	Part no.	Pieces	Notes
1	122 010 090	1	For Multiair SR
2	122 000 599	3	Clamp with bolt OK160, for Multiair SR, TR, TRF
3	123 000 109	1	For Multiair SR, TR, TRF
4	121 000 537	1	For Multiair SR, TR, TRF, TF
5	122 050 110	2	Clamp with bolt OK200
6	122 050 158	1	For Multiair S
7	122 010 104	1	For Multiair TF
8	100 308 002	1	Set screw M8 x 25 mm, for Multiair 1020
	100 306 030	1	Set screw M10 x 30 mm, for Multiair 1040, 1050, 1055
	100 304 033	1	Set screw M12 x 35 mm, for Multiair 1075
9	100 323 359	1	Set screw UNC 3/8" x 1-1/4", for Multiair 1030-60 Hz, 1050-60 Hz
	100 323 358	1	Set screw UNC 1/2" x 1-1/2", for Multiair 1100-60 Hz
	100 332 003	1	Star washer M8 for Multiair 1020
	100 332 004	1	Star washer M10 for Multiair 1040, 1050, 1055, 1030-60 Hz
	100 332 005	1	Star washer M12 for Multiair 1075
12	100 332 021	1	Star washer M12 for Multiair 1100-60 Hz
	121 000 021	1	For Multiair 1020, 1030-60 Hz, 1050-60 Hz
	121 000 060	1	For Multiair 1040, 1050, 1055
	121 000 071	1	For Multiair 1075, 1100-60 Hz
15	100 407 000	1	Circlip ø24 x 1.2 mm, for Multiair 1020
20	100 407 001	1	Circlip ø28 x 1.2 mm, for Multiair 1040, 1050, 1055, 1030-60 Hz
	100 407 003	1	Circlip ø38 x 1.5 mm, for Multiair 1075
	100 407 008	1	Circlip IV-35 x 1.5 mm, for Multiair 1100-60 Hz
	121 010 018	1	For Multiair 1020
	121 000 027	1	For Multiair 1040, 1050, 1055, 1030-60 Hz,
23	121 000 070	1	For Multiair 1075
24	121 075 028	1	For Multiair 1100-60 Hz
25	123 000 129	1	
	100 308 018	28	Set screw M6 x 12 mm
	121 100 303	-	Sealing strip. Order 3.0 m
28	123 000 134	1	For Multiair 1020
	123 000 133	1	For Multiair 1040
	123 000 132	1	For Multiair 1075
	121 090 006	1	For Multiair 1055
	123 010 050	1	For Multiair 1030-60 Hz
31	123 010 051	1	For Multiair 1050-60 Hz
	123 010 128	1	For Multiair 1050-200 V-50 Hz-220 V-60 Hz
	123 000 131	1	For Multiair 1100-60 Hz
33	123 000 128	1	
	100 316 075	28	Nut M6
34	100 316 003	4	Lock nut M8, for Multiair 1020
	100 316 004	4	Lock nut M10, for Multiair 1040, 1050, 1055, 1075, 1030-60 Hz, 1100-60Hz
35	100 331 005	4	Flat washer M8, for Multiair 1020
	100 331 006	4	Flat washer M10, for Multiair 1040, 1050, 1055, 1075, 1030-60 Hz, 1100-60Hz
39	100 501 001	1	Motor 90S2-1.5 kW B3 3000 rpm, for Multiair 1020
	100 501 153	1	Motor 100L2-3.0 kW B3 3000 rpm, for Multiair 1040
	100 501 089	1	Motor 112M2-4.0 kW B3 3000 rpm, for Multiair 1055
	100 501 005	1	Motor 132S2-5.5 kW B3 3000 rpm, for Multiair 1075
	100 501 148	1	Motor DMA1 100L2 3.0 kW B3 2810/3400 rpm, for Multiair 1050-200 V-50 Hz-220 V-60 Hz
	100 551 048	1	Motor 182T-3.0 HP-460V-60Hz-3450 rpm-M3610T
	100 551 049	1	Motor 182T-3.0 HP-575V-60Hz-3450 rpm-M3610T-5
	100 551 050	1	Motor 184T-5.0 HP-460V-60Hz-3450 rpm-M3613T
	100 551 051	1	Motor 184T-5.0 HP-575V-60Hz-3450 rpm-M3613T-5
	100 551 054	1	Motor 215T-10 HP-460V-60Hz-3450 rpm-M3711T
	100 551 055	1	Motor 215T-10 HP-575V-60Hz-3450 rpm-M3711T-5
43	100 331 005	4	Flat washer M8
44	100 306 014	4	Set screw M8 x 16 mm
45	122 000 599	1	Clamp with bolt OK160
46	122 010 098	1	
47	100 306 015	4	Set screw M8 x 20 mm, for Multiair 1030-60 Hz, 1050-60 Hz, 1100-60Hz
48	123 000 050	1	
49	100 316 003	4	Lock nut M8
50	100 306 014	4	Set screw M8 x 15 mm, for Multiair 1030-60 Hz, 1050-60 Hz, 1100-60Hz
51	100 316 003	4	Lock nut M8, for Multiair 1030-60 Hz, 1050-60 Hz, 1100-60Hz
52	123 000 049	1	For Multiair 1030-60 Hz, 1050-60 Hz, 1100-60Hz
53	123 000 368	1	For Multiair 1030-60 Hz, 1050-60 Hz, 1100-60Hz
54	100 316 003	4	Lock nut M8, for Multiair 1030-60 Hz, 1050-60 Hz, 1100-60Hz
55	100 316 003	8	Lock nut M8
56	121 000 058	4	
57	100 331 005	4	Flat washer M8, for Multiair 1020
58	100 308 032	4	Set screw M8 x 35 mm, for Multiair 1020
	100 306 030	4	Set screw M10 x 30 mm, for Multiair 1030-60 Hz, 1050-60 Hz, 1100-60Hz
	100 308 037	4	Set screw M10 x 40 mm, for Multiair 1040, 1050, 1055, 1075
59	100 306 014	8	Set screw M8 x 15 mm

Kongskilde Industries A/S

Skælskørvej 64

DK - 4180 Sorø

Tel. +45 72 17 60 00

mail@kongskilde-industries.com

www.kongskilde-industries.com