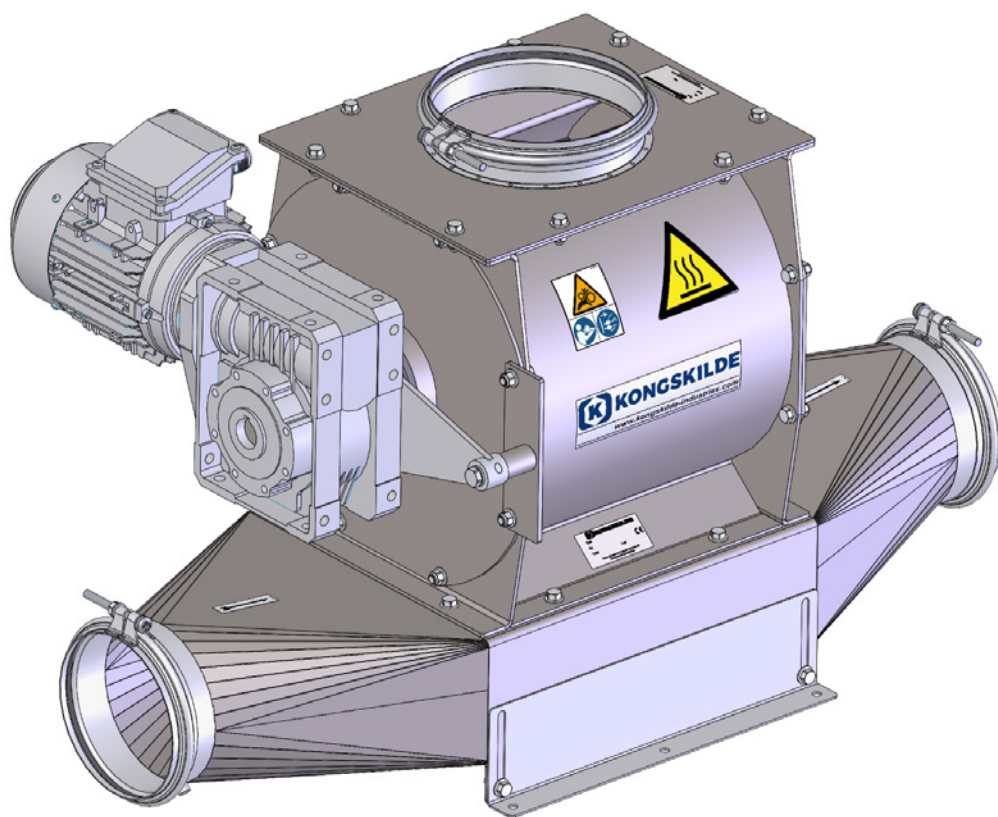
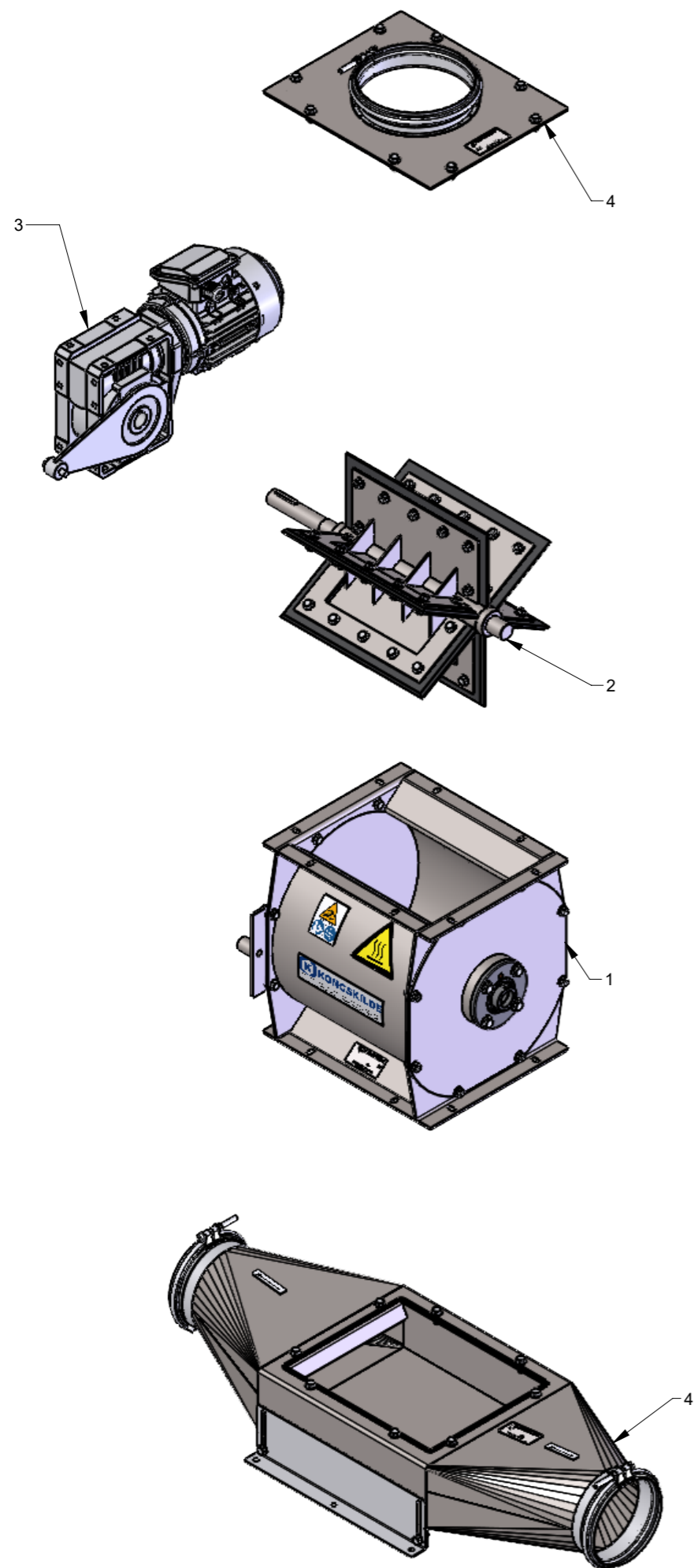


# *RF40R stainless steel*

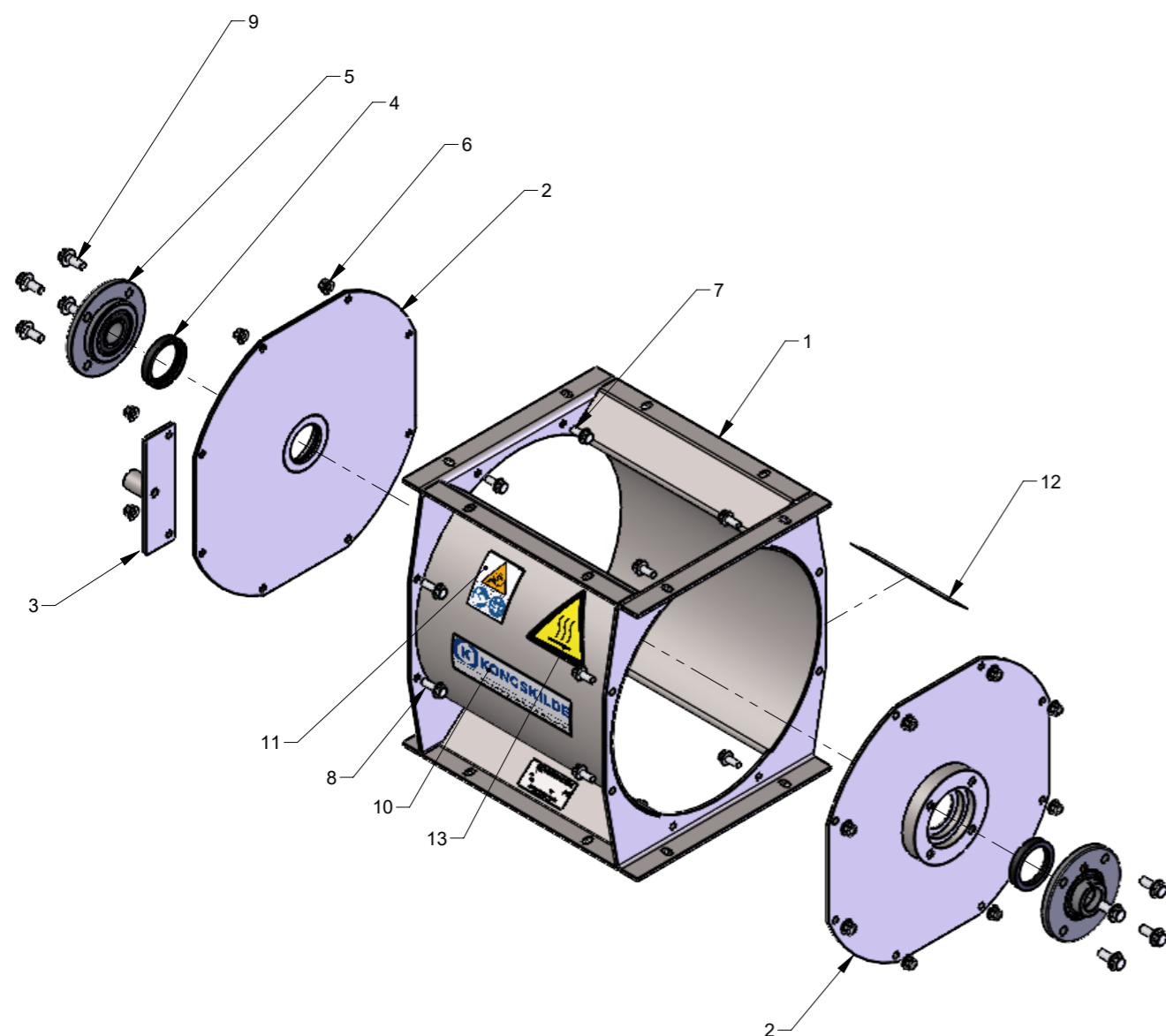
## Rotary valve



Spare parts list

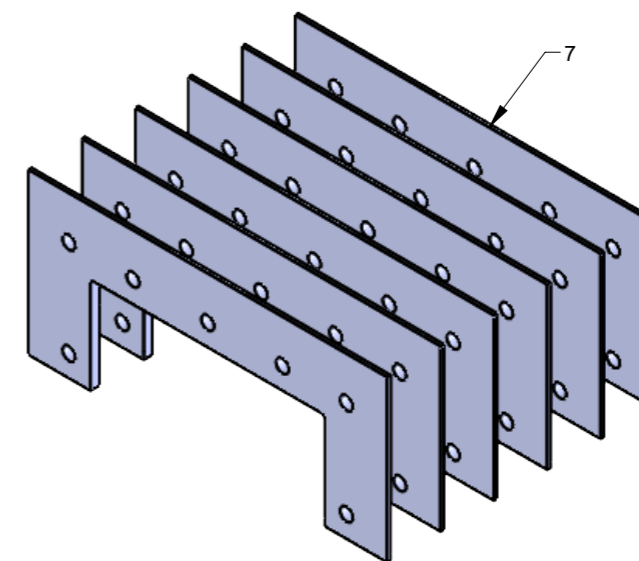
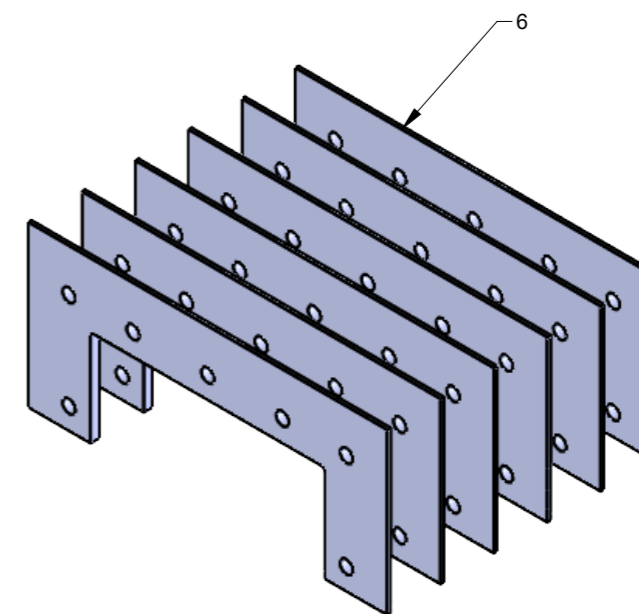
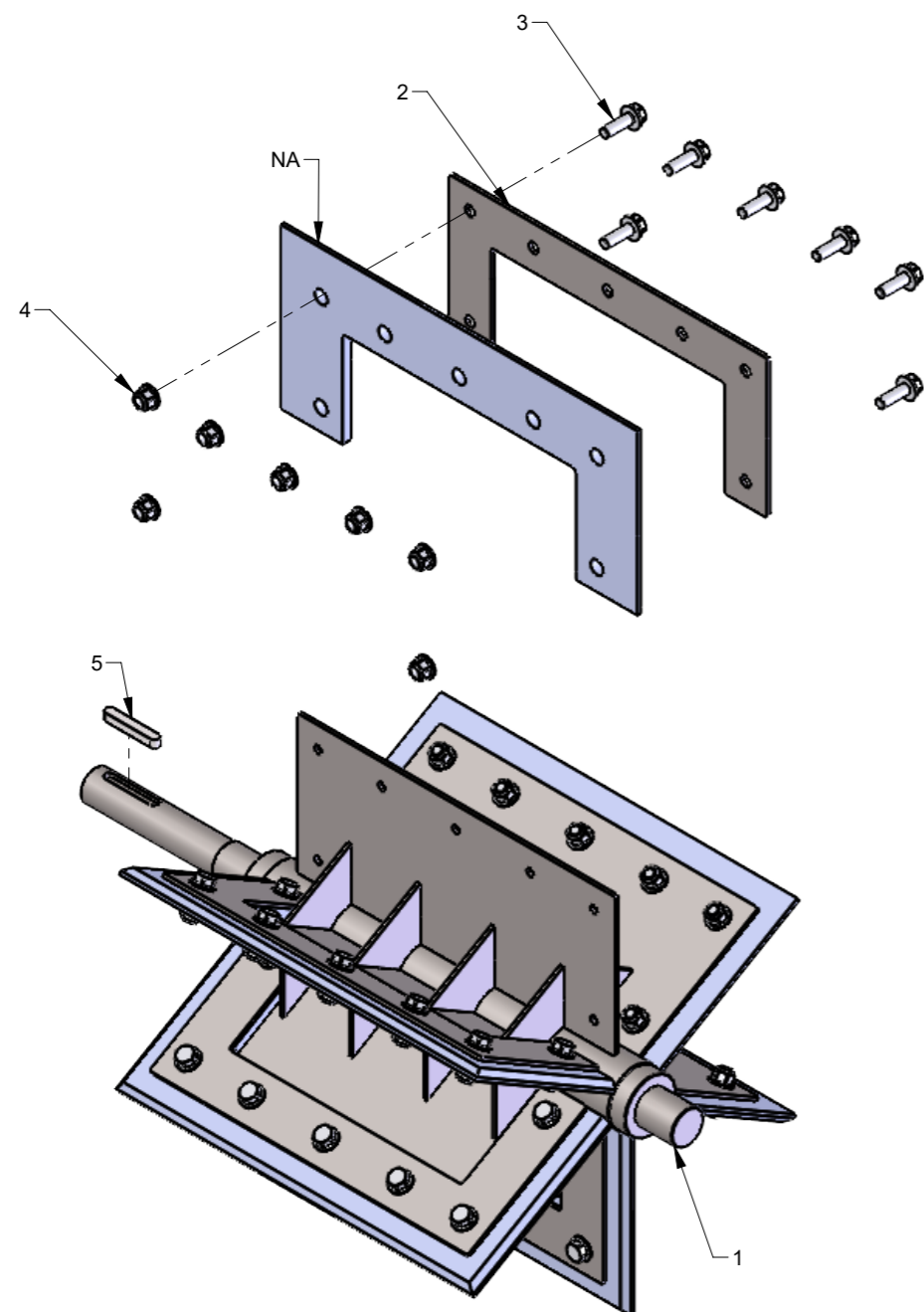


Pos.	Spare parts list - page	Description
1	1 122710911-04-05	Rotary valve housing
1	2 122710911-06-07	Rotary valve rotor
1	3 122710911-08-09	Gear motor
1	4 122710911-10-11	Inlet / Outlet

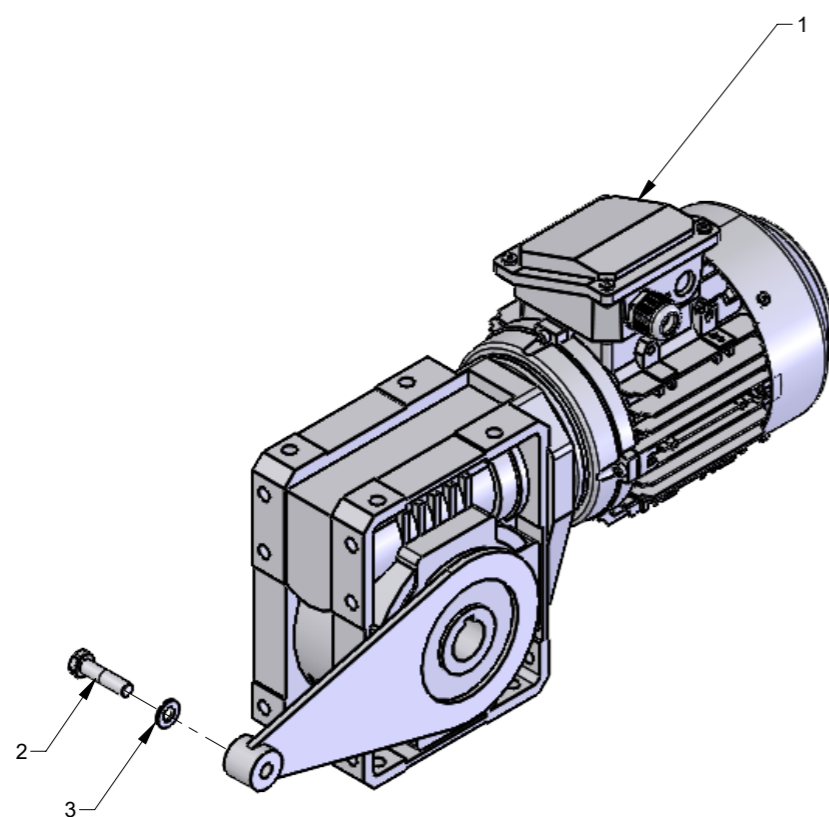


Pos.	Pcs.	Part no.	Description
1	1	122710291	RF40R rotor housing
2	2	122710292	Rotor cover welded
3	1	122710295	Bracket for torque arm
4	2	100413192	Radial seal Ø65-Ø48x10mm
5	2	100401114	Flange bearing 125x30 PME30-XL-N
6	16	100350542	Flange lock nut M8 DIN 6926, stainless A2
7	14	100350540	Flange set screw M8 x 20mm DIN 6921, stainless A2
8	2	100350541	Flange set screw M8 x 25mm DIN 6921, stainless A2
9	8	100323438	Flange set screw M10 x 25mm DIN 6921, elgalvanized
10	2	121000818	Label [KONGSKILDE] neutral, blue/black on transparent
11	2	121000842	Label [Fingers/read manual/disconnect power] yellow/blue/black on white
12	1	121000323	Label [Warranty void if...], black on transparent
13	2	121151202	Label [Hot surface] 100mm, black on yellow

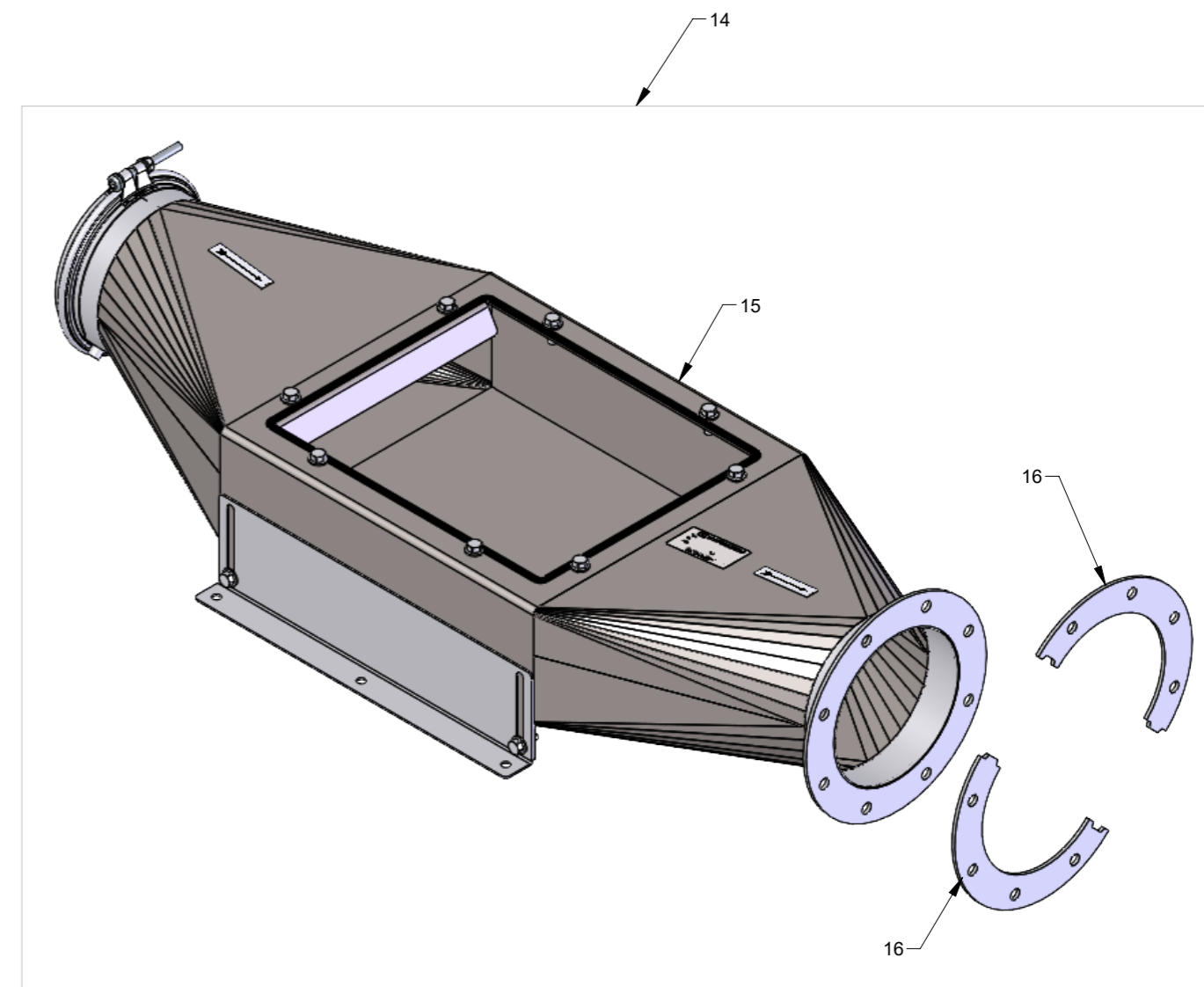
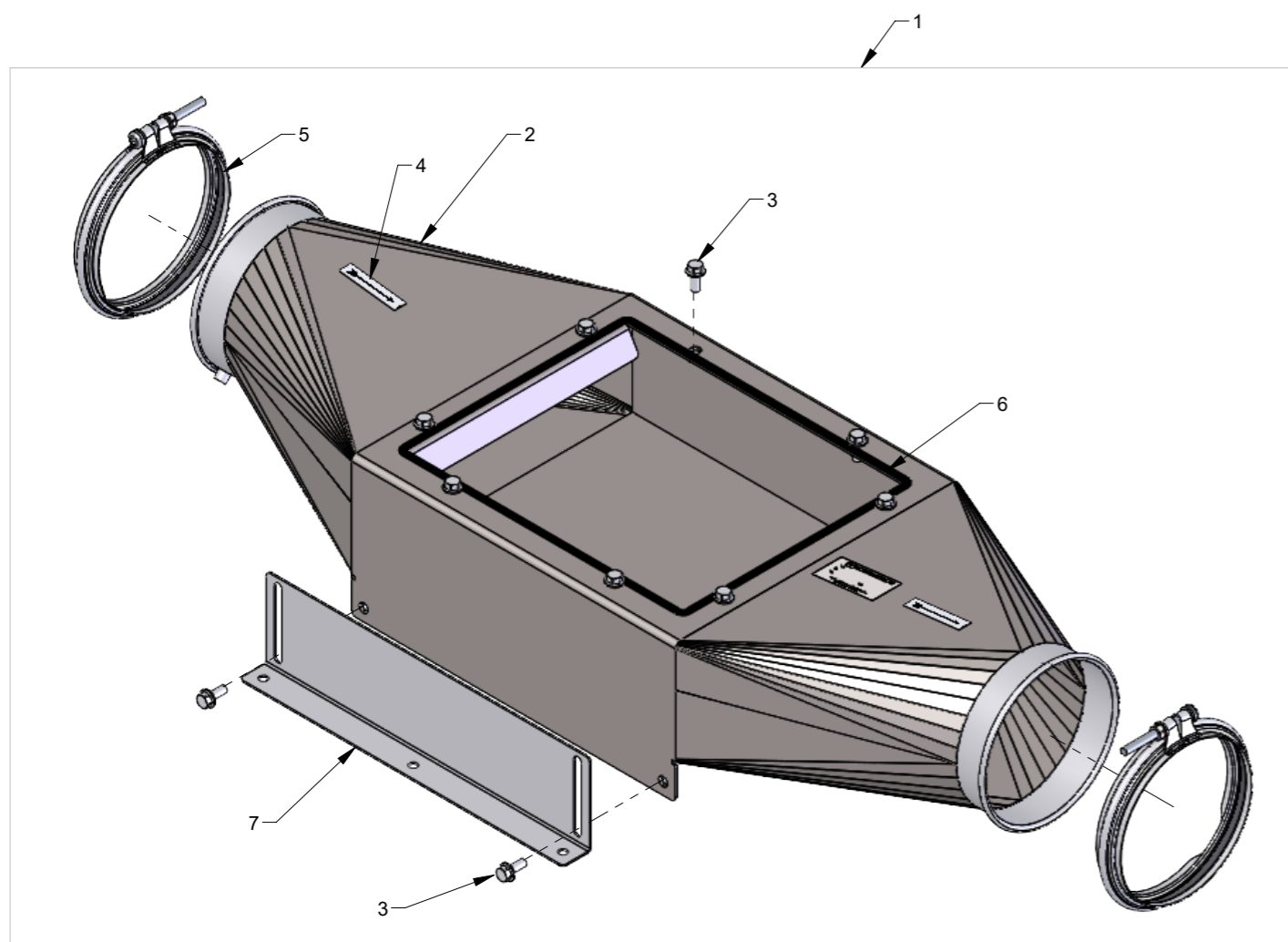
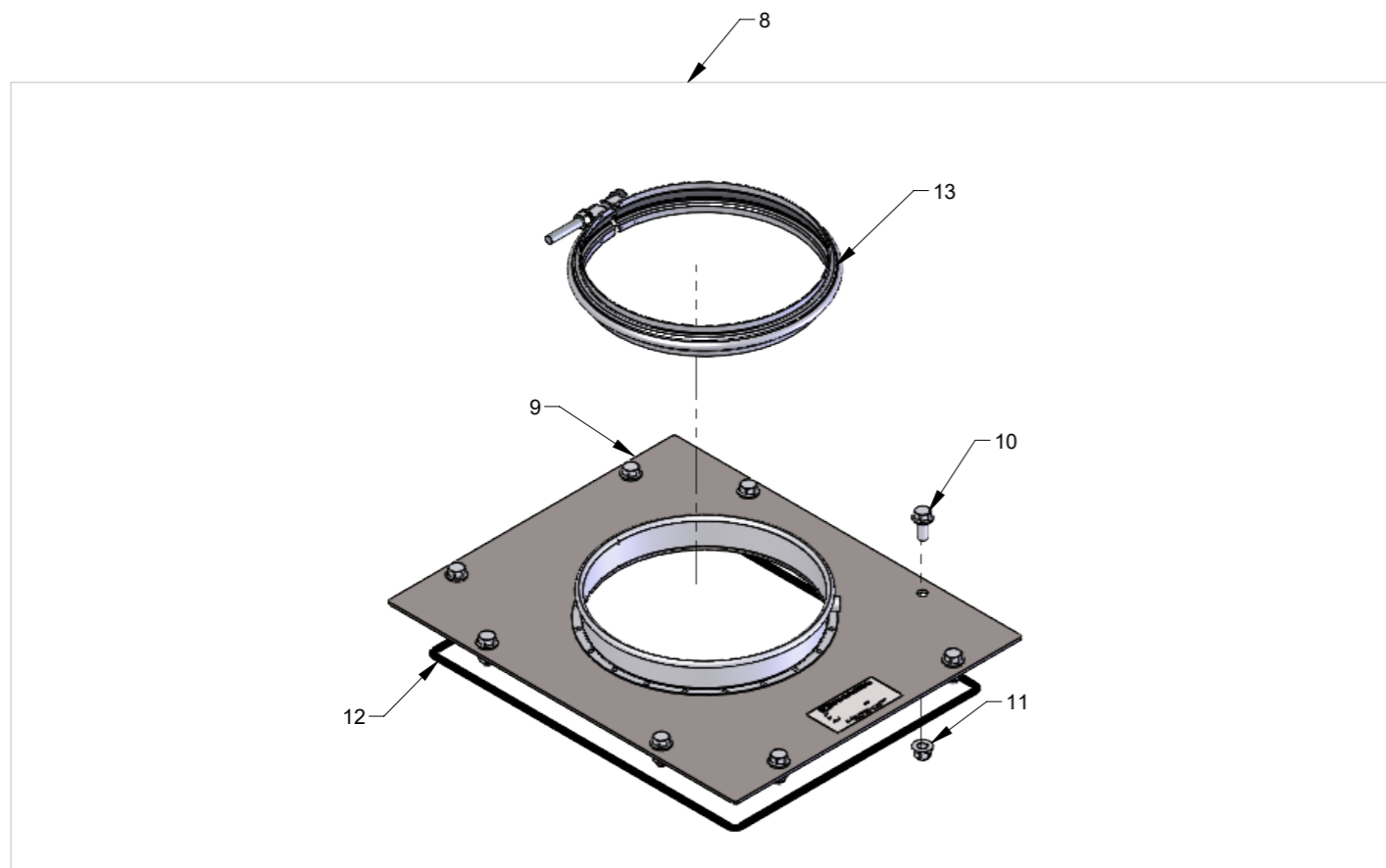
Service Kit



Pos.	Pcs.	Part no.	Description
1	1	122710294	Welded rotor RF40R
2	6	122710308	PUR blade retainer RF40R
3	42	100350541	Flange set screw M8 x 25mm DIN 6921, stainless A2
4	42	100350542	Flange lock nut M8 DIN 6926, stainless A2
5	1	100405013	Key A8x7x50mm DIN 6885
6	1	122710507	Rotor paddles for RF40R rotary valve, 6 piece set
7	1	122710247	Rotor paddles for RF40R rotary valve, FDA approved, 6 piece set



Pos.	Pcs.	Part no.	Description
1	1	100505253	Gearmotor W75U50 1,1kW 3x400V 50Hz
2	1	100306032	Screw M10x40/20 DIN 931 elgalv.
3	1	100331006	Washer M10 DIN 125 A



Pos.	Pcs.	Part no.	Description
1	1	122710505	RF40R Rotary valve horizontal outlet OK160, stainless
2	1	122710297	RF40R horizontal outlet, stainless
3	12	100350540	Flange set screw M8 x 20mm DIN 6921, stainless A2
4	2	121000325	Label [Arrow], black on white
5	2	122001078	OK 160 Safety clamp
6	1	122710327	Foam seal for RF40R inlet / outlet
7	2	122710328	Foot for RF40R horizontal outlet
8	1	122710506	RF40R Rotary valve inlet OK200, stainless
9	1	122710296	RF40R inlet OK200 welded
10	8	100350540	Flange set screw M8 x 20mm DIN 6921, stainless A2
11	8	100350542	Flange lock nut M8 DIN 6926, stainless A2
12	1	122710327	Foam seal for RF40R inlet / outlet
13	1	122050237	OK 200 Safety clamp
14	1	122710513	RF40R Rotary valve horizontal outlet OK160 with flange, stainless
15	1	122710330	RF40R horizontal outlet with flange, stainless
16	2	122710325	Half-flange RF20 for horizontal outlet EN 12220

**Kongskilde Industries A/S**

Skælskørvej 64

DK - 4180 Sorø

Tel. +45 72 17 60 00

[mail@kongskilde-industries.com](mailto:mail@kongskilde-industries.com)

[www.kongskilde-industries.com](http://www.kongskilde-industries.com)