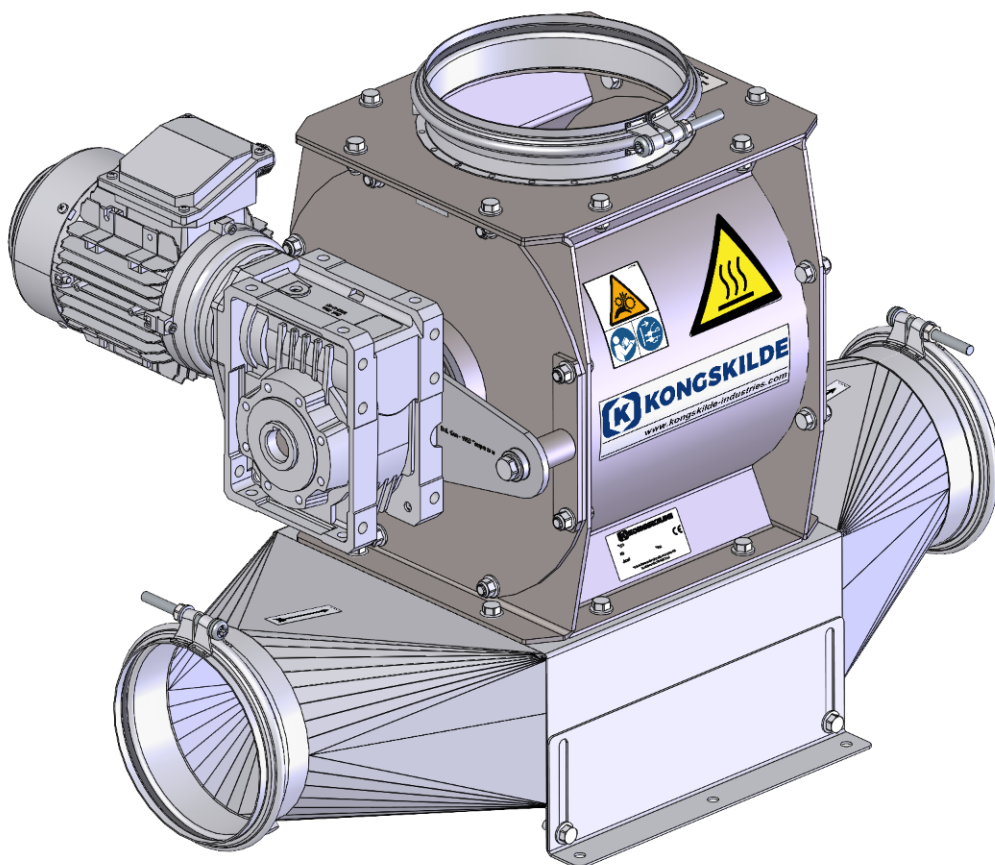
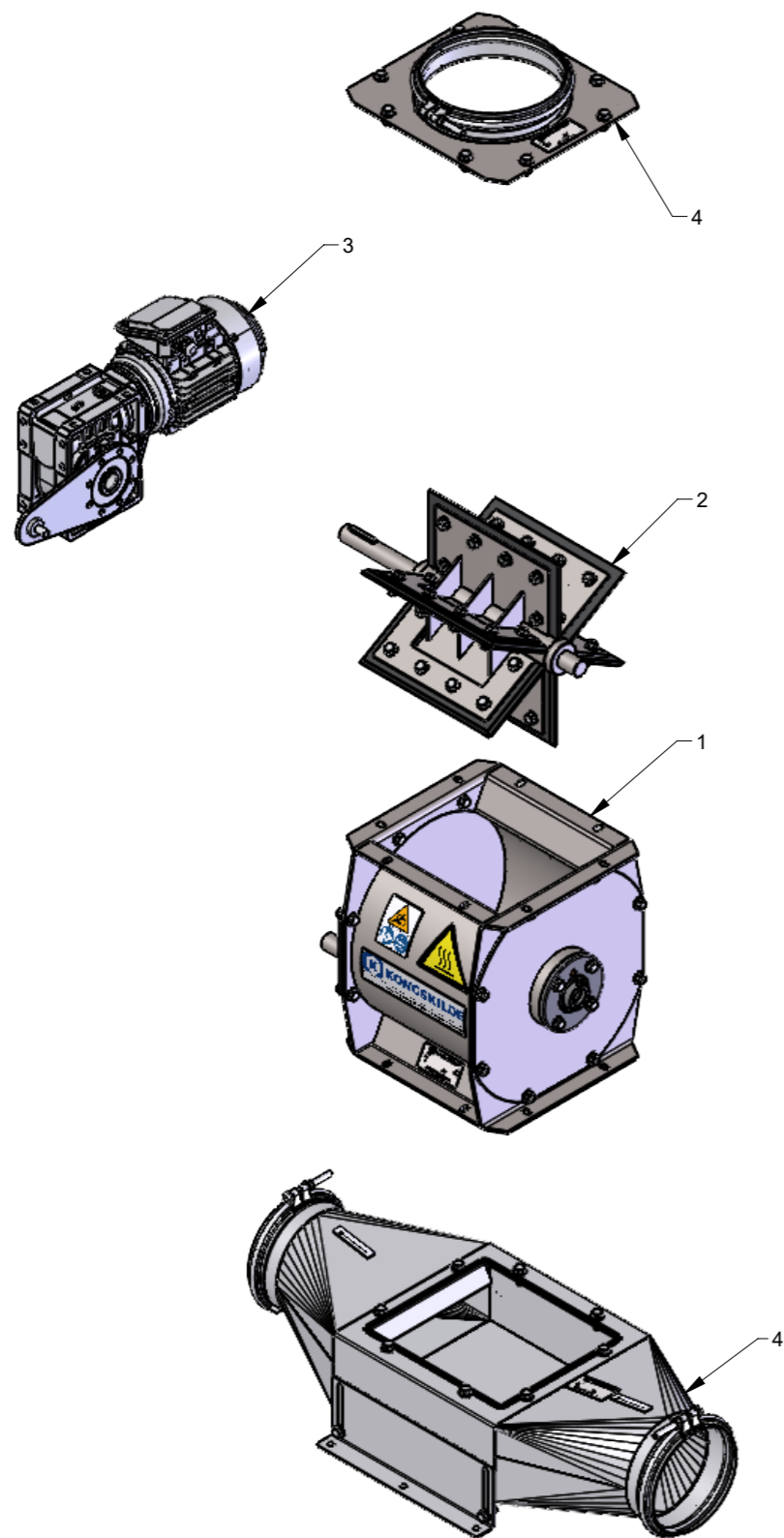


RF20R stainless steel

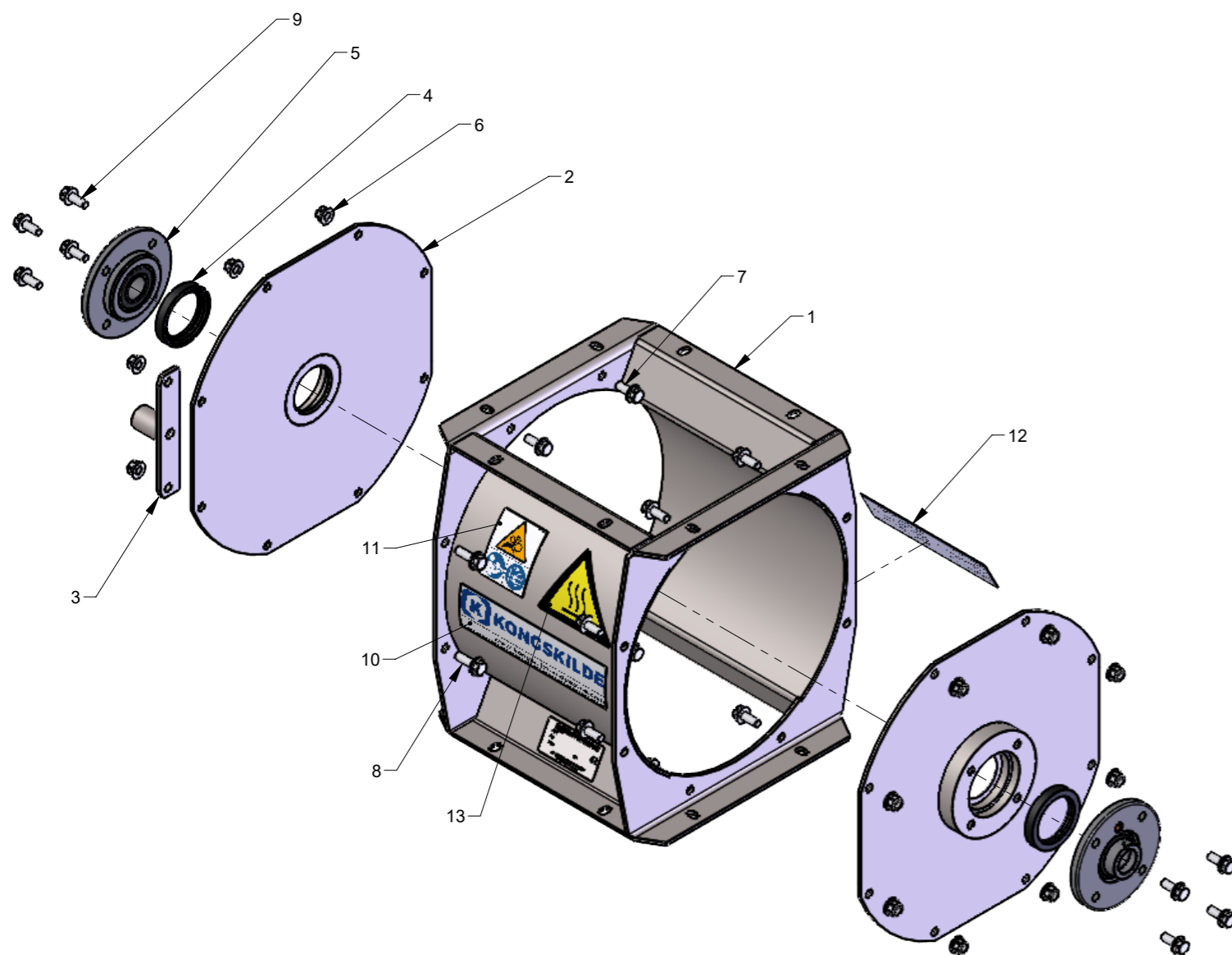
Rotary valve



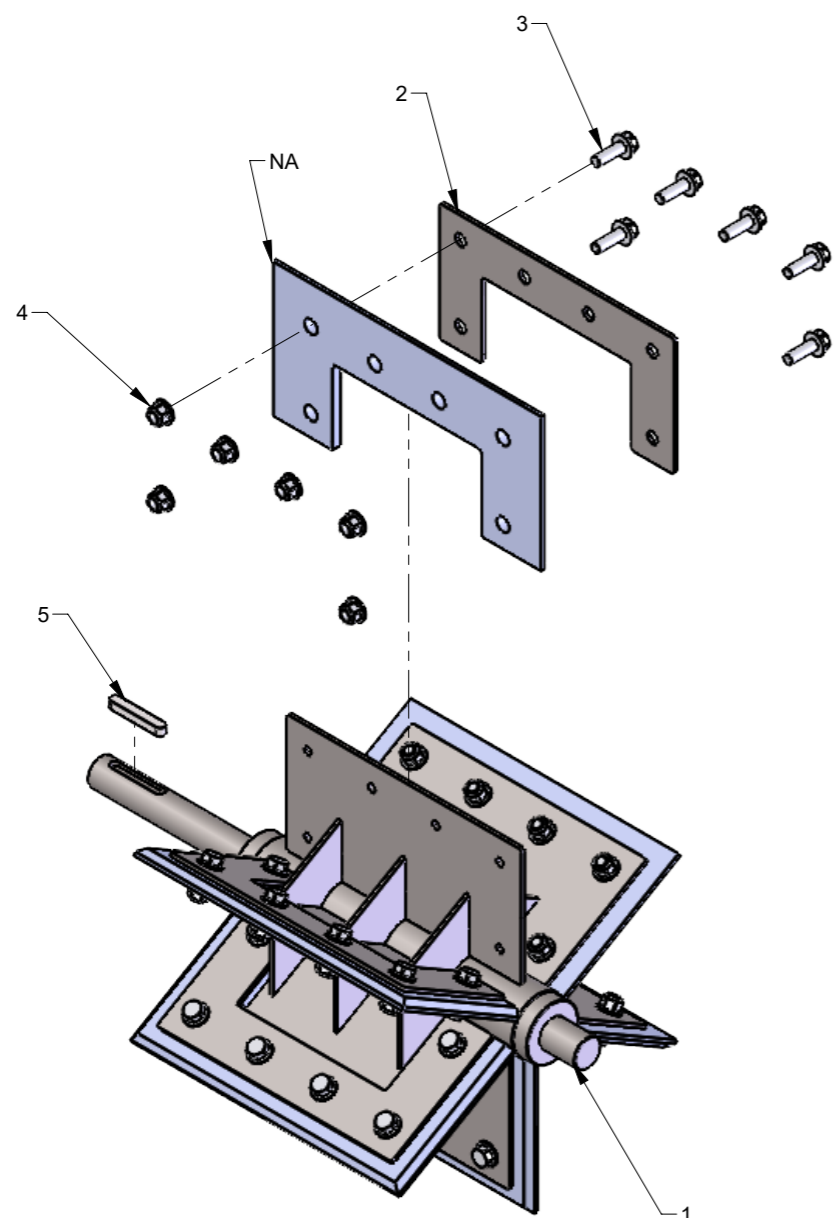
Spare parts list



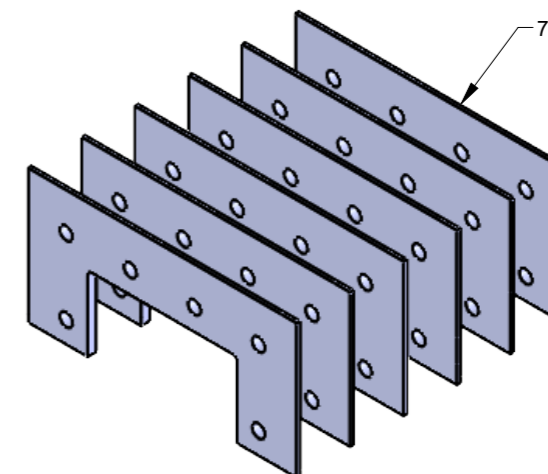
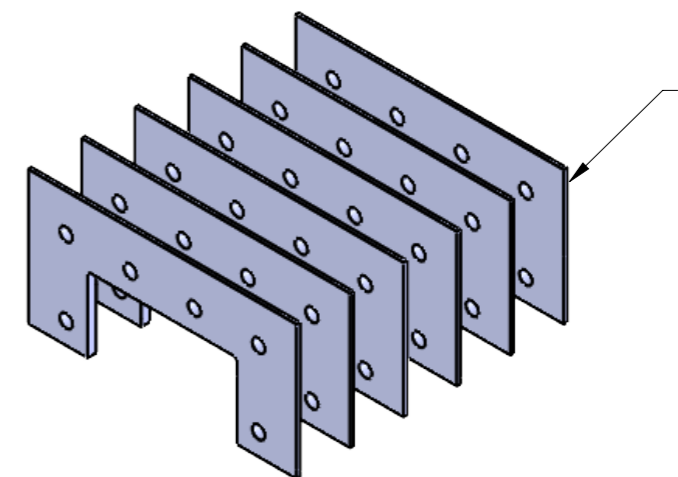
Pos.	Spare parts list - page	Description
1	1 122710901-04-05	Rotary valve housing
1	2 122710901-06-07	Rotary valve rotor
1	3 122710901-08-09	Gear motors
1	4 122710901-10-11	Inlet / Outlet



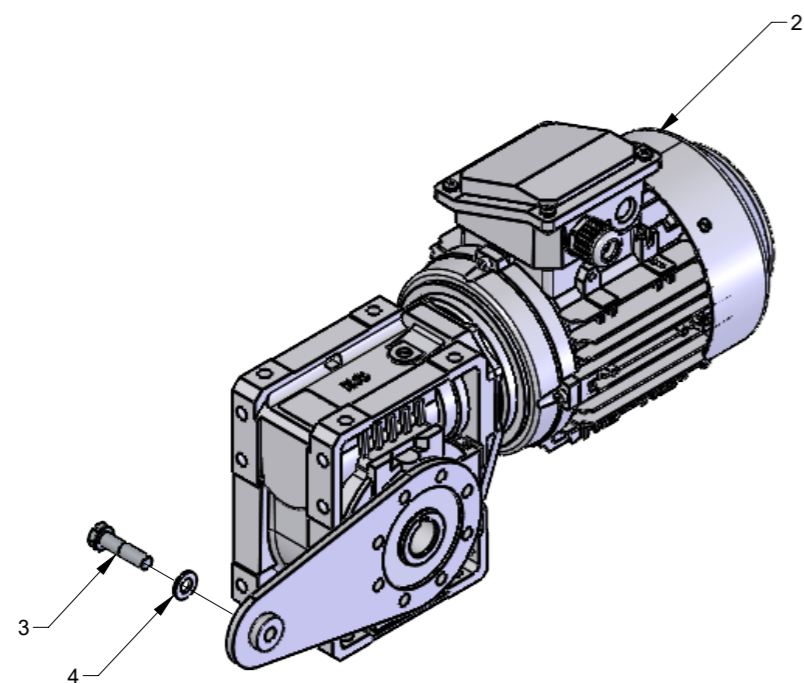
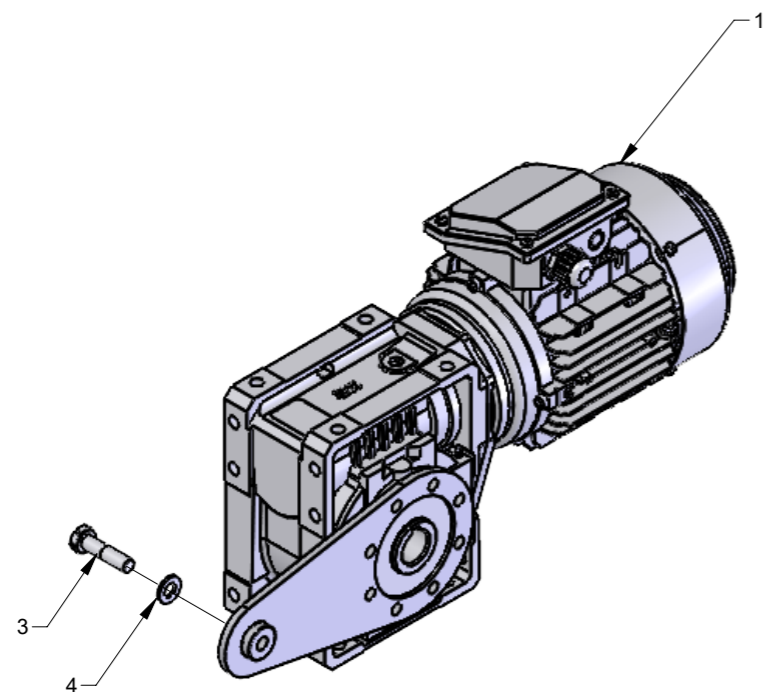
Pos.	Pcs.	Part no.	Description
1	1	122710261	RF20R Rotor housing
2	2	122710262	Rotor cover welded
3	1	122710265	Bracket for torque arm
4	2	100413192	Radial seal Ø65-Ø48x10mm
5	2	100401113	Flange bearing 115x25 PME25-XL-N
6	16	100350542	Flange lock nut M8 DIN 6926, stainless A2
7	14	100350540	Flange set screw M8 x 20mm DIN 6921, stainless A2
8	2	100350541	Flange set screw M8 x 25mm DIN 6921, stainless A2
9	8	100306235	Flange screw M8 x 20mm DIN 6921, elgalvanized
10	2	121000818	Label [KONGSKILDE] neutral, blue/black on transparent
11	2	121000842	Label [Fingers/read manual/disconnect power] yellow/blue/black on white
12	1	121000323	Label [Warranty void if...], black on transparent
13	2	121151202	Label [Hot surface] 100mm, black on yellow



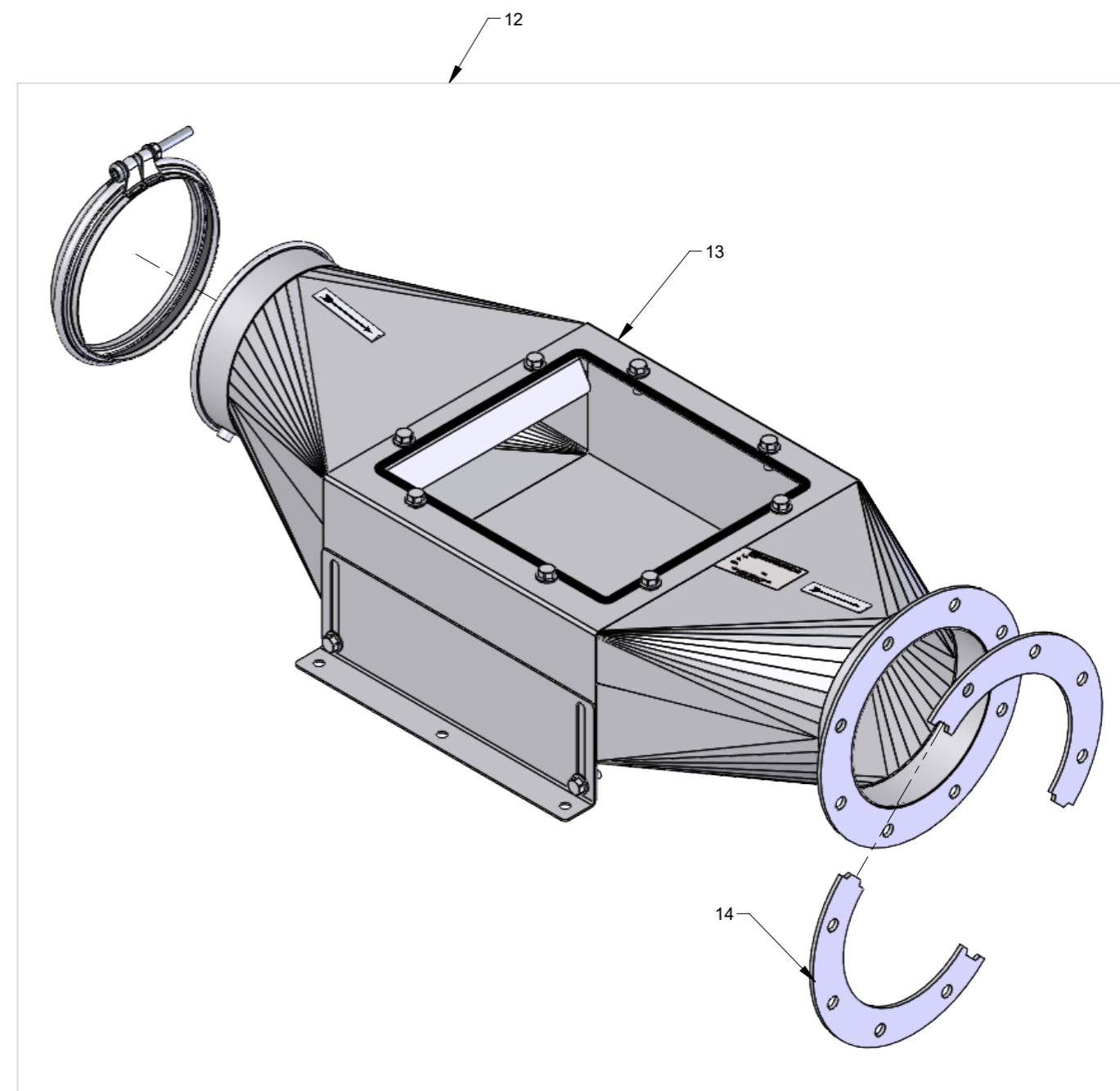
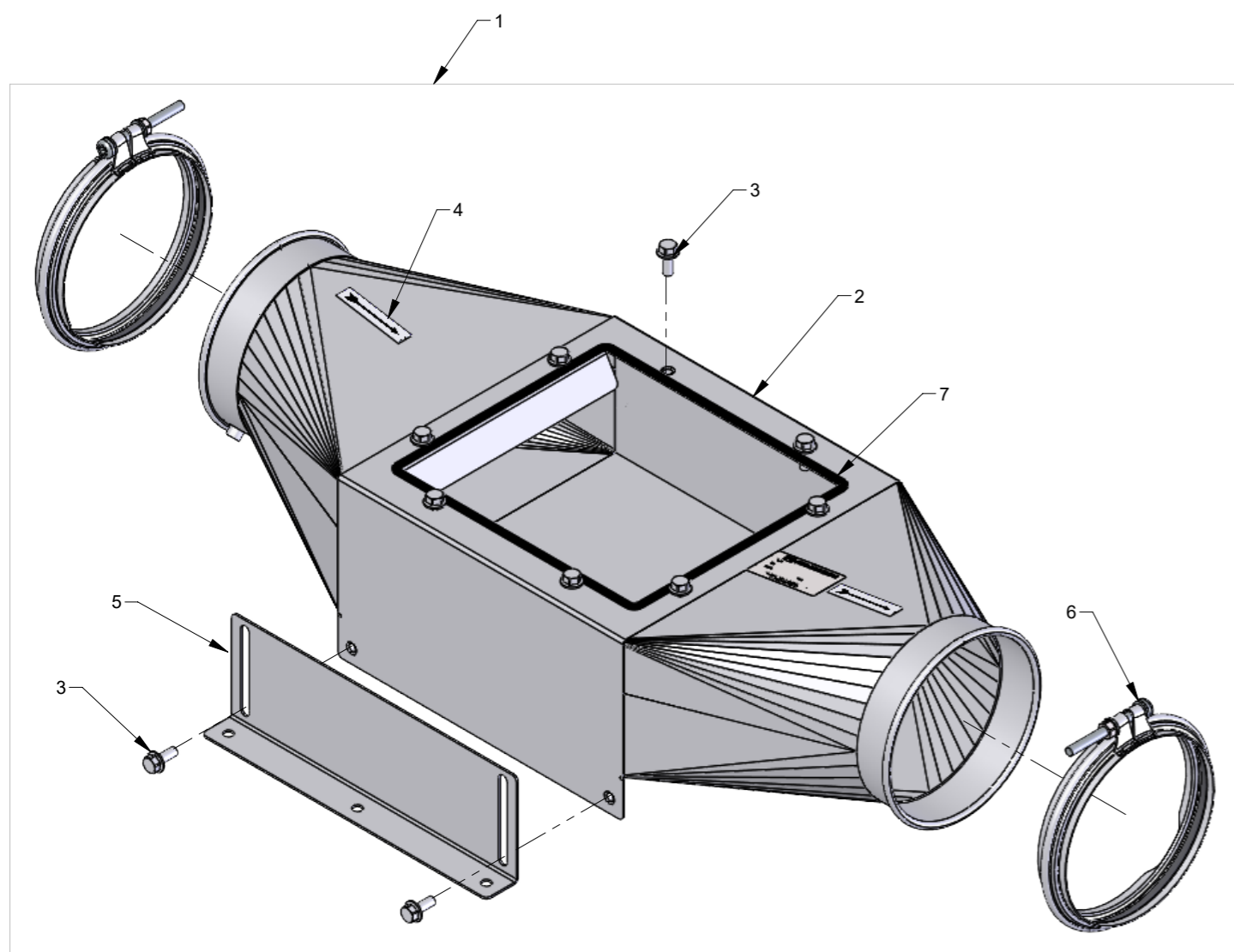
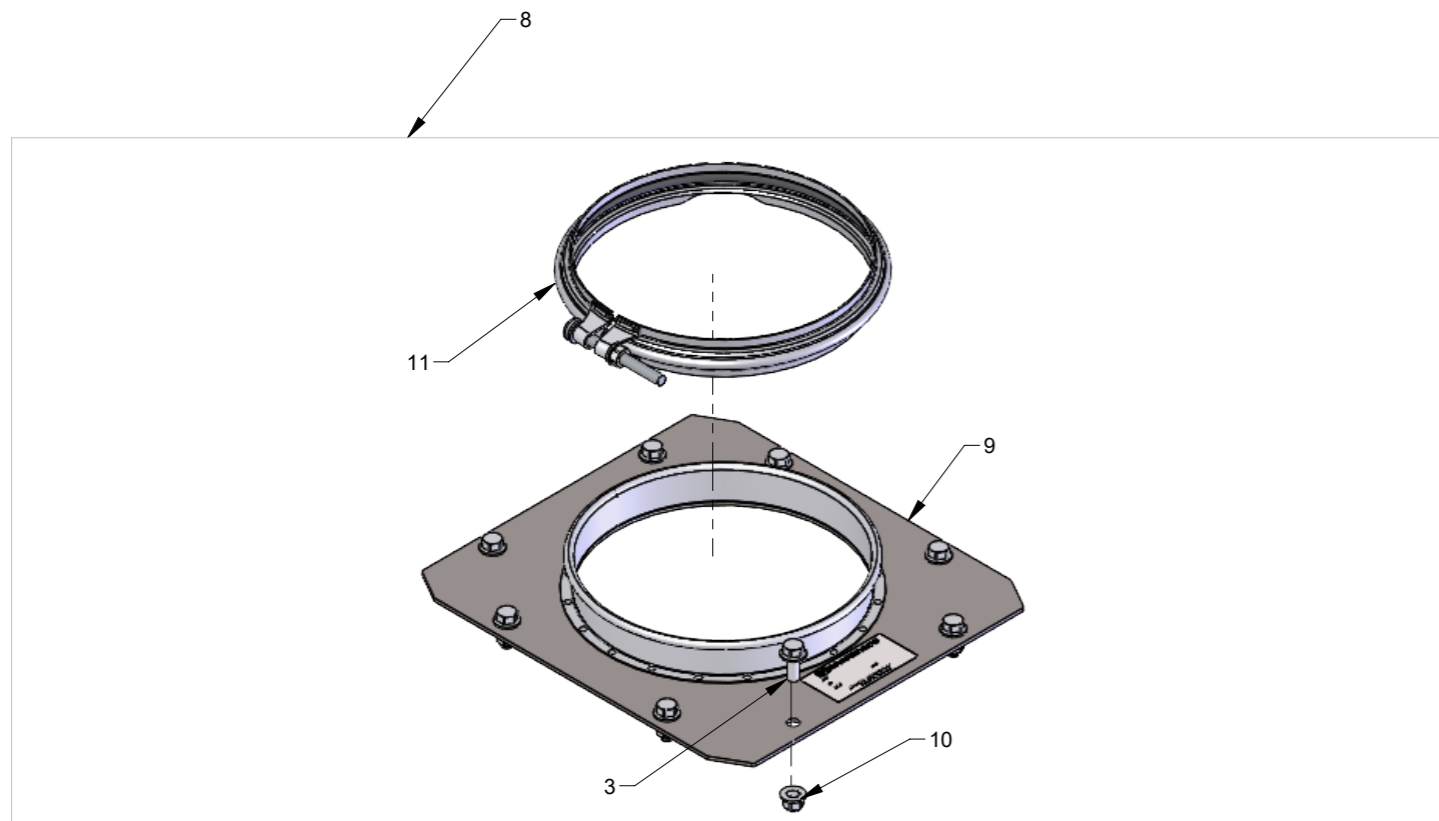
Service Kit



Pos.	Pcs.	Part no.	Description
1	1	122710264	Welded rotor RF20R
2	6	122710278	PUR blade retainer RF20R
3	36	100350541	Flange set screw M8 x 25mm DIN 6921, stainless A2
4	36	100350542	Flange lock nut M8 DIN 6926, stainless A2
5	1	100405013	Key A8x7x50mm DIN 6885
6	1	122710510	Rotor paddles for RF20R rotary valve, 6 piece set
7	1	122710255	Rotor paddles for RF20R rotary valve, FDA approved, 6 piece set



Pos.	Pcs.	Part no.	Description
1	1	100505251	Gearmotor W63U45 0,55kW 3x400V 50Hz
2	1	100505252	Gearmotor W63U38 0,75kW 3x400V 50Hz
3	1	100306032	Screw M10x40/20 DIN 931 elgalv.
4	1	100331006	Washer M10 DIN 125 A



Pos.	Pcs.	Part no.	Description
1	1	122710502	RF20R rotary valve horizontal outlet OK160, stainless
2	1	122710267	RF20R horizontal outlet, stainless
3	32	100350540	Flange set screw M8 x 20mm DIN 6921, stainless A2
4	4	121000325	Label [Arrow], black on white
5	4	122710320	Foot for RF20R horizontal outlet
6	3	122001078	OK 160 Safety clamp
7	3	122710326	Foam seal for RF20R inlet / outlet
8	1	122710503	RF20R Rotary valve inlet OK200, stainless
9	1	122710266	RF20R inlet OK200 welded
10	8	100350542	Flange lock nut M8 DIN 6926, stainless A2
11	1	122050237	OK 200 Safety clamp
12	1	122710508	RF20R rotary valve horizontal outlet with FK160 / OK160 flanges, stainless
13	1	122710268	RF20R horizontal outlet, stainless
14	2	122710325	Half-flange RF20 for horizontal outlet EN 12220

Kongskilde Industries A/S
Skælskørvej 64
DK - 4180 Sorø
Tel. +45 72 17 60 00
mail@kongskilde-industries.com
www.kongskilde-industries.com

