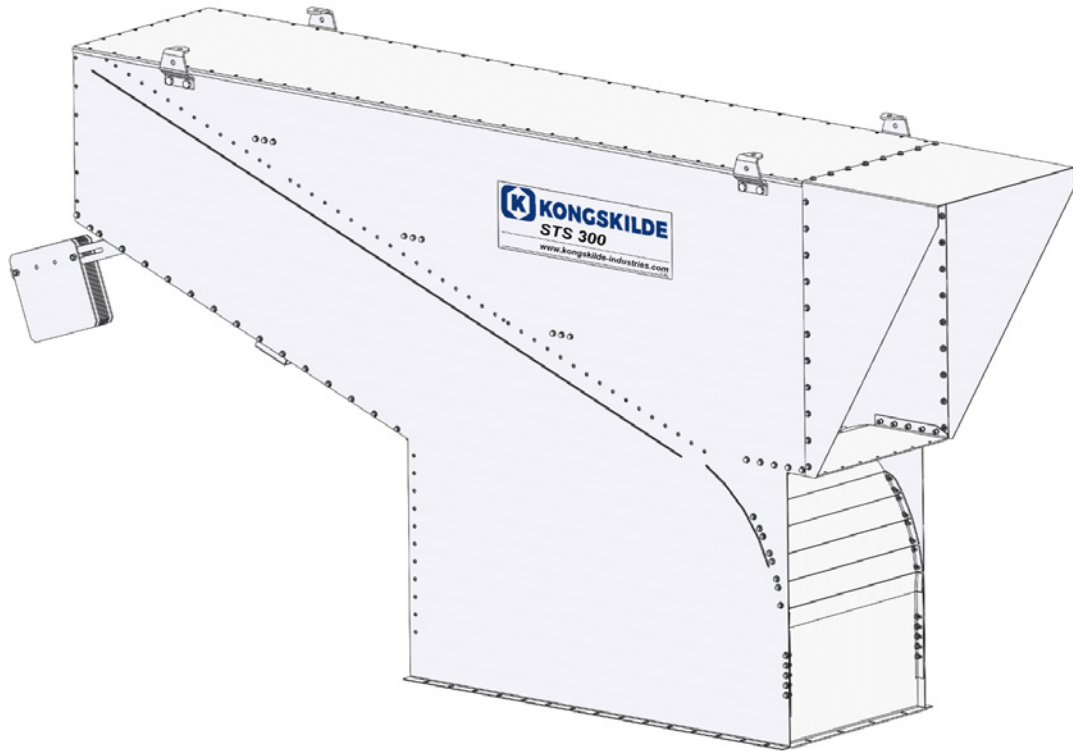
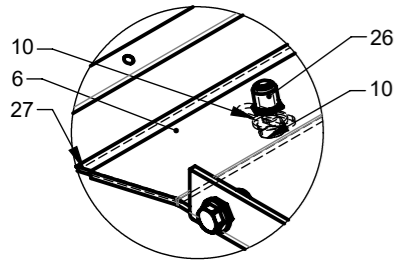
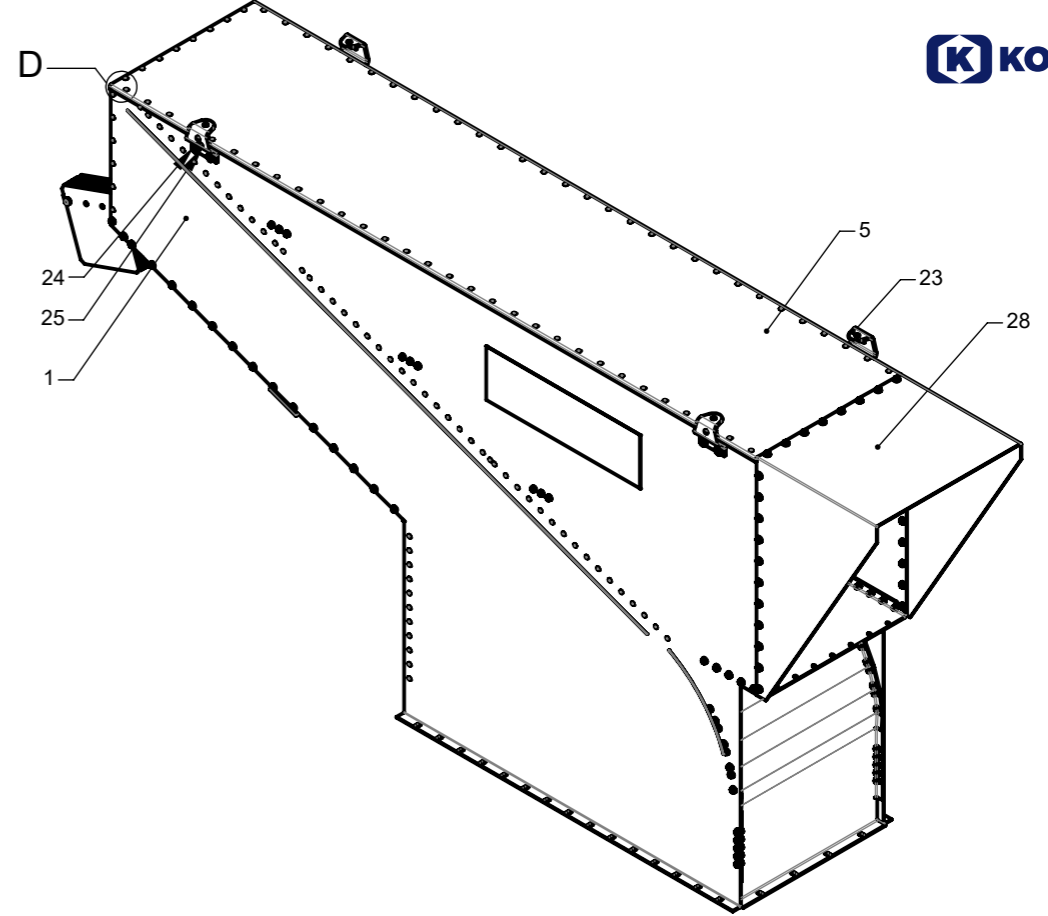
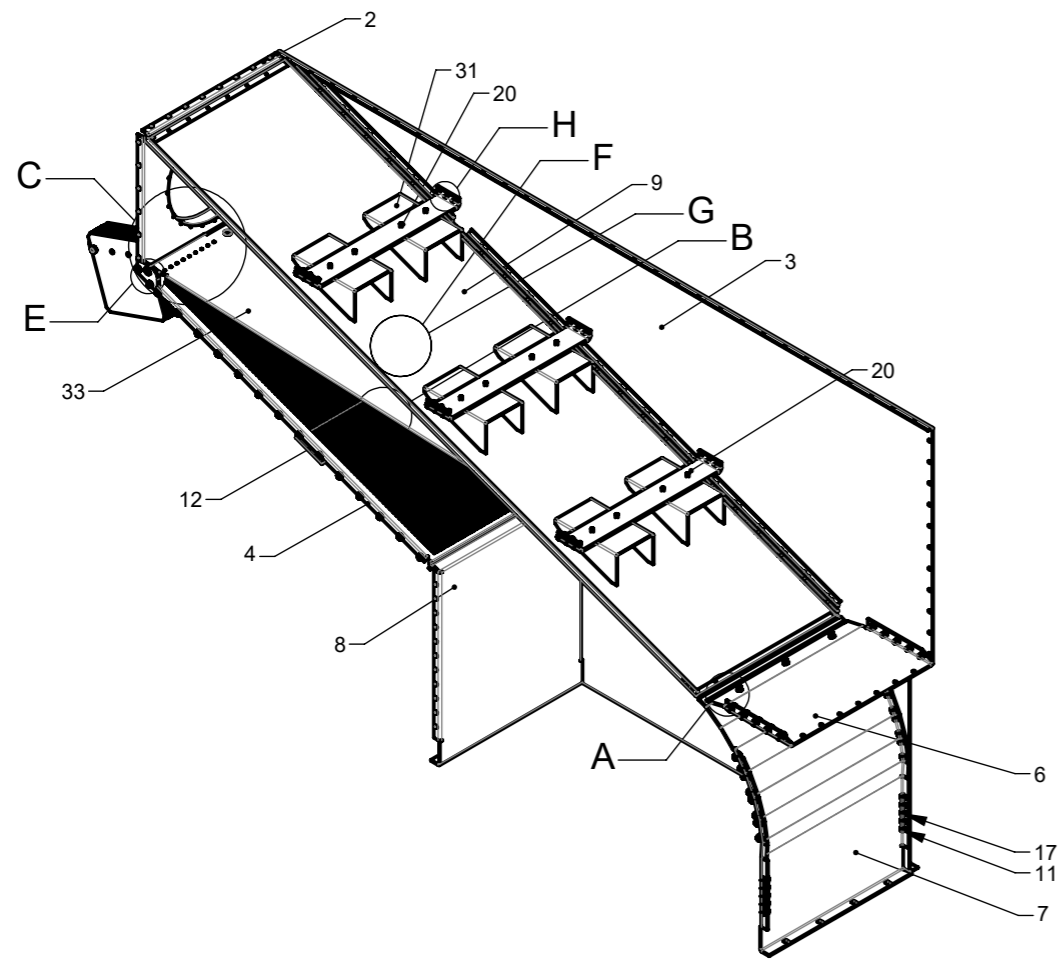


STS 300

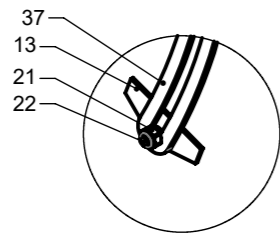
Static Separator



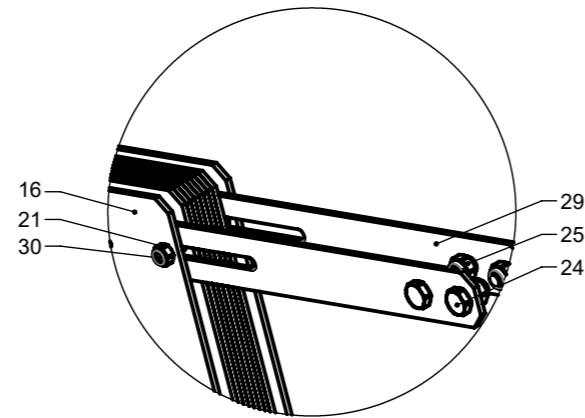
Spare parts list



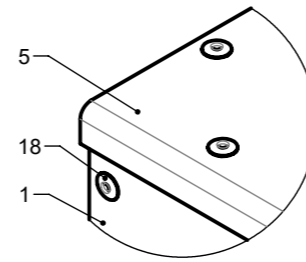
DETAIL A (1 : 3)



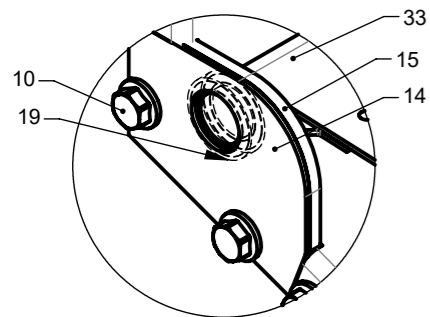
DETAIL B (1 : 5)



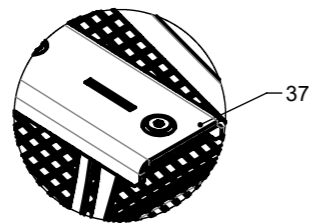
DETAIL C (1 : 5)



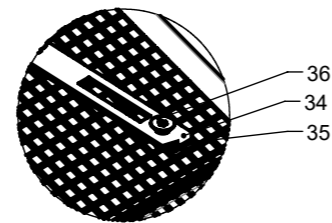
DETAIL D (1 : 2)



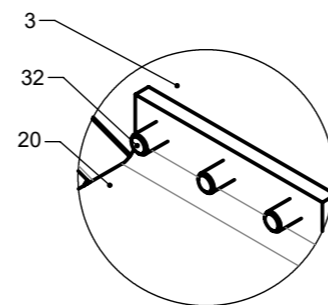
DETAIL E (1 : 2)



DETAIL F (1 : 5)



DETAIL G (1 : 5)



DETAIL H (1 : 2)

| Pos. | Pcs. | Part no. | Notes |
|------|------|-----------|---|
| 1 | 1 | 122006095 | Right side plate for STS 300 assembled |
| 2 | 1 | 122006092 | |
| 3 | 1 | 122006096 | Left side plate for STS 300 assembled |
| 4 | 1 | 122006090 | |
| 5 | 1 | 122006089 | |
| 6 | 1 | 122006068 | |
| 7 | 1 | 122006071 | |
| 8 | 1 | 122006070 | |
| 9 | 1 | 122006077 | Screen for STS 300 |
| 10 | 17 | 100323398 | Flange head screw M6x16 EN 1665, elgalvanized |
| 11 | 99 | 100323386 | Flange screw M6x12 EN 1665 |
| 12 | 1 | 122006179 | |
| 13 | 1 | 122006115 | |
| 14 | 2 | 122006118 | |
| 15 | 2 | 122006116 | |
| 16 | 10 | 122006112 | |
| 17 | 103 | 100316097 | Flangenut, Serrated M6 DIN6923 elgv |
| 18 | 102 | 100334054 | Popnitte SSD 54SSBS 4.0 x 10.2 |
| 19 | 2 | 100401093 | 61802 2RS1 |
| 20 | 3 | 122006180 | Seperator spacer for STS 300 |
| 21 | 3 | 100316003 | Self locking nut M8 DIN 985-6, elgalvanized |
| 22 | 1 | 100306014 | Set screw M8x16 DIN 933 |
| 23 | 4 | 122006187 | |
| 24 | 12 | 100308004 | Set screw M10x20mm DIN 933, elgalvanized |
| 25 | 12 | 100316004 | Lock nut M10 DIN 985-6 |
| 26 | 13 | 100334039 | Rivet nut, countersunk, M6, elgalvanized |
| 27 | 1 | 122006193 | |
| 28 | 1 | 122006181 | |
| 29 | 2 | 122006197 | |
| 30 | 2 | 100306161 | M8x65 DIN 931 |
| 31 | 6 | 122006264 | Support bracket for screen |
| 32 | 30 | 100323450 | Thread forming flange screw M6x16 DIN 7500D |
| 33 | 1 | 122006176 | boundary plate |
| 34 | 1 | 122006250 | |
| 35 | 6 | 100316003 | Self locking nut M8 DIN 985-6, elgalvanized |
| 36 | 6 | 100309016 | M8x20 DIN 7991 |
| 37 | 1 | 122006240 | |

Kongskilde Industries A/S

Skælskørvej 64

DK - 4180 Sorø

Tel. +45 72 17 60 00

mail@kongskilde-industries.com

www.kongskilde-industries.com