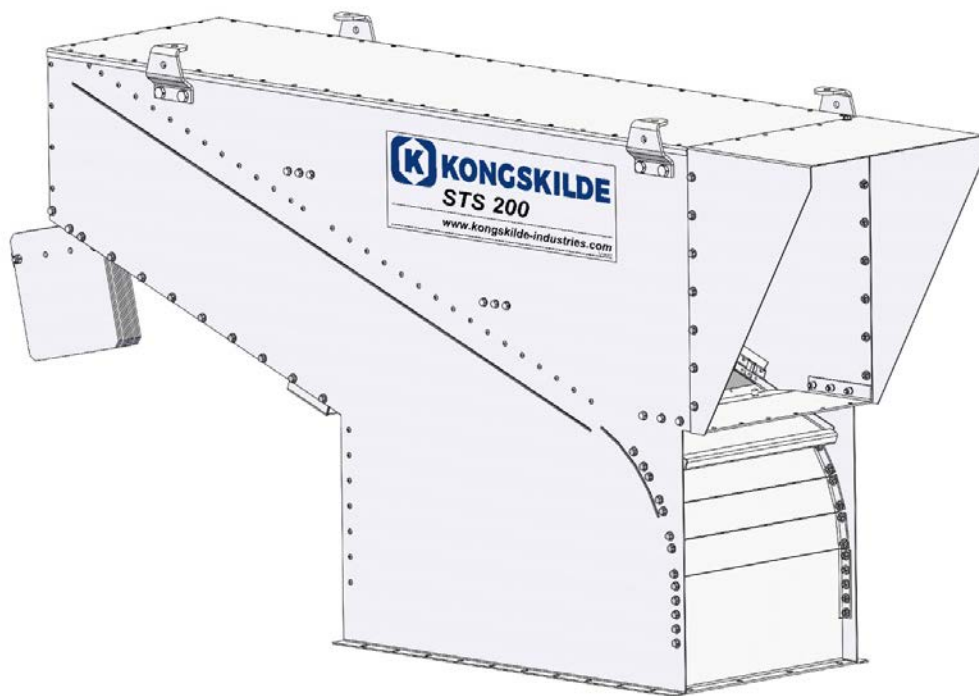
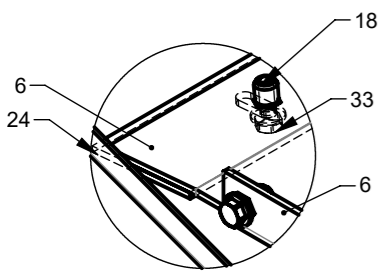
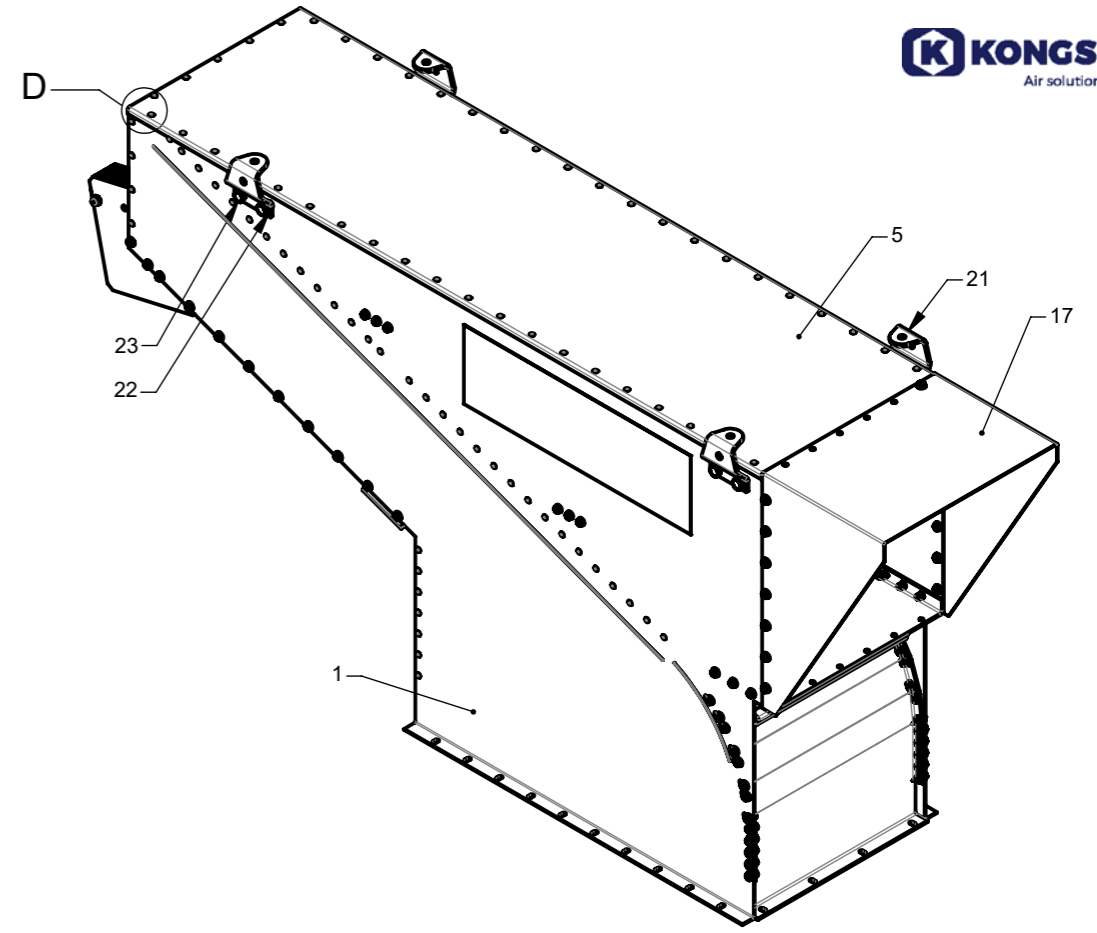
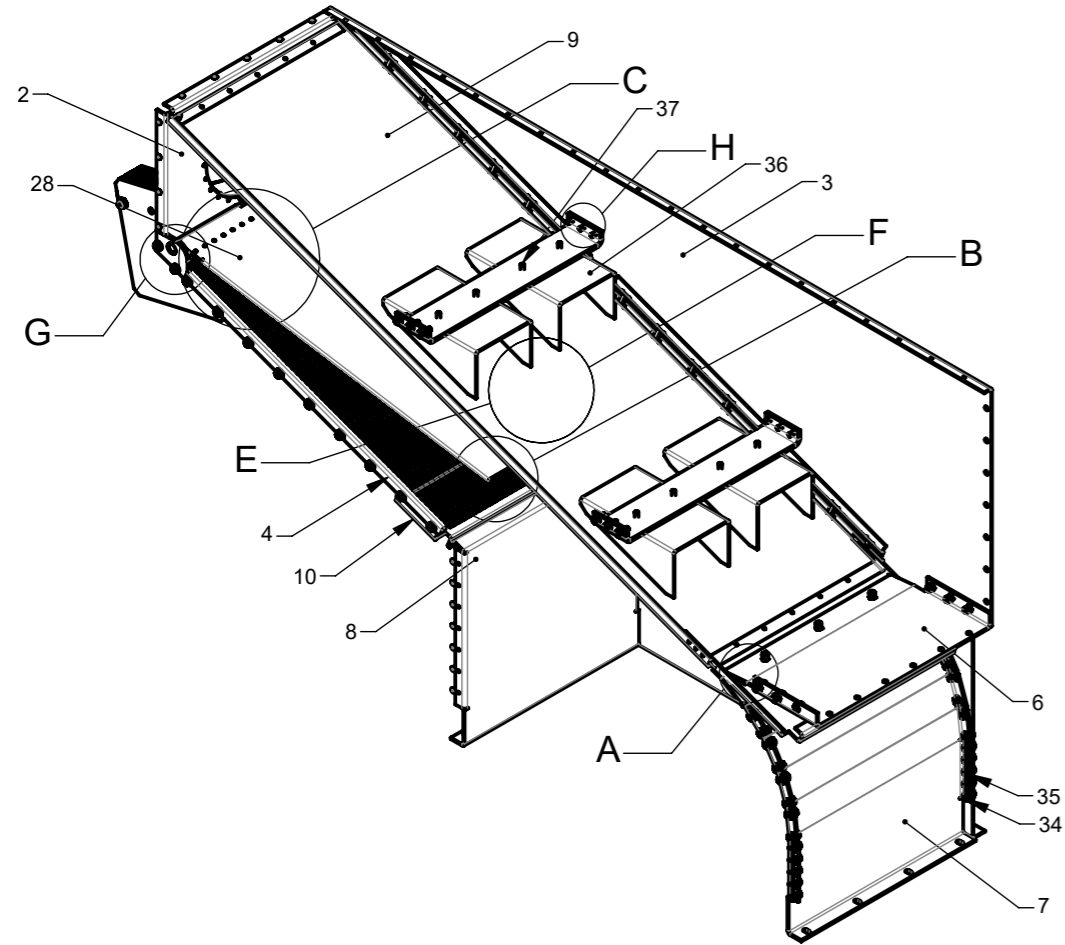


STS 200

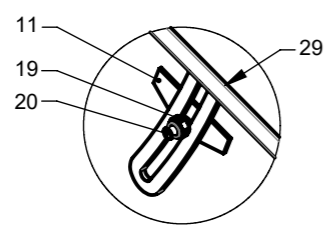
Static Separator



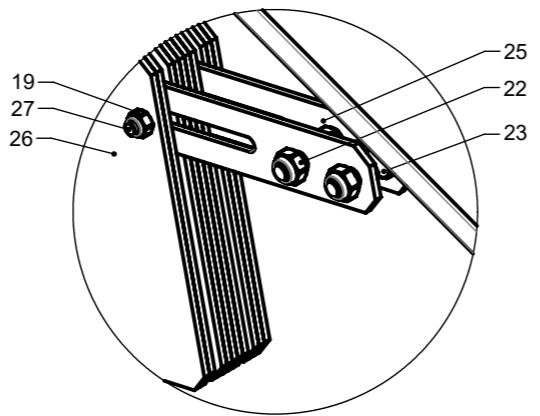
Spare parts list



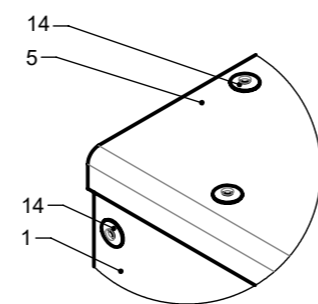
DETAIL A (1 : 3)



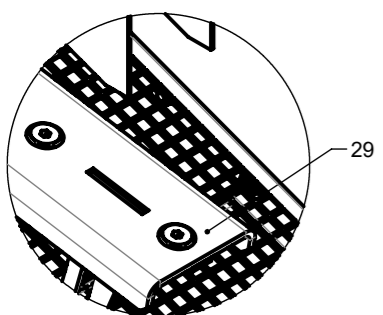
DETAIL B (1 : 5)



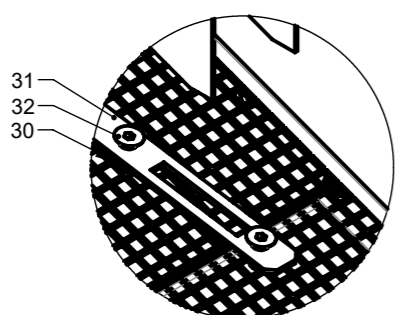
DETAIL C (1 : 4)



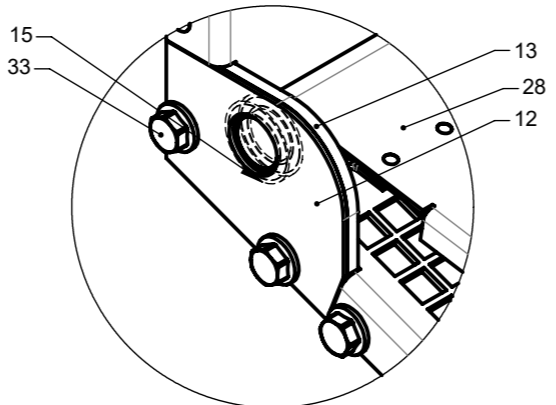
DETAIL D (1 : 2)



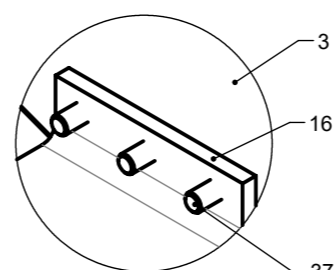
DETAIL E (1 : 4)



DETAIL F (1 : 4)



DETAIL G (1 : 2)



DETAIL H (1 : 2)

Pos.	Pcs.	Part no.	Notes
1	1	122006093	Right side plate for STS 200 assembled
2	1	122006091	
3	1	122006094	Left side plate for STS 200 assembled
4	1	122006087	
5	1	122006086	
6	1	122006062	
7	1	122006060	
8	1	122006052	
9	1	122006058	Screen for STS 200
10	1	122006114	
11	1	122006115	
12	2	122006118	
13	2	122006116	
14	67	100334054	Popnitte SSD 54SSBS 4.0 x 10.2
15	2	100401093	61802 2RS1
16	2	122006151	Seperator spacer for STS 200
17	1	122006153	
18	9	100334039	Rivet nut, countersunk, M6, elgalvanized
19	3	100316003	Self locking nut M8 DIN 985-6, elgalvanized
20	1	100306015	M8x20 DIN 933
21	4	122006187	
22	12	100316004	Lock nut M10 DIN 985-6
23	12	100308004	Set screw M10x20mm DIN 933, elgalvanized
24	1	122006194	
25	2	122006198	
26	10	122006112	
27	2	100306023	Screw M8 x 60mm DIN 931, elgalvanized
28	1	122006110	boundary plate
29	1	122006242	
30	7	100316003	Self locking nut M8 DIN 985-6, elgalvanized
31	1	122006248	
32	7	100309016	M8x20 DIN 7991
33	13	100323398	Flange head screw M6x16 EN 1665, elgalvanized
34	71	100323386	Flange screw M6x12 EN 1665
35	75	100316097	Flangenut, Serrated M6 DIN6923 elgv
36	4	122006264	Support bracket for screen
37	20	100323450	Thread forming flange screw M6x16 DIN 7500D

Kongskilde Industries A/S

Skælskørvej 64

DK - 4180 Sorø

Tel. +45 72 17 60 00

mail@kongskilde-industries.com

www.kongskilde-industries.com