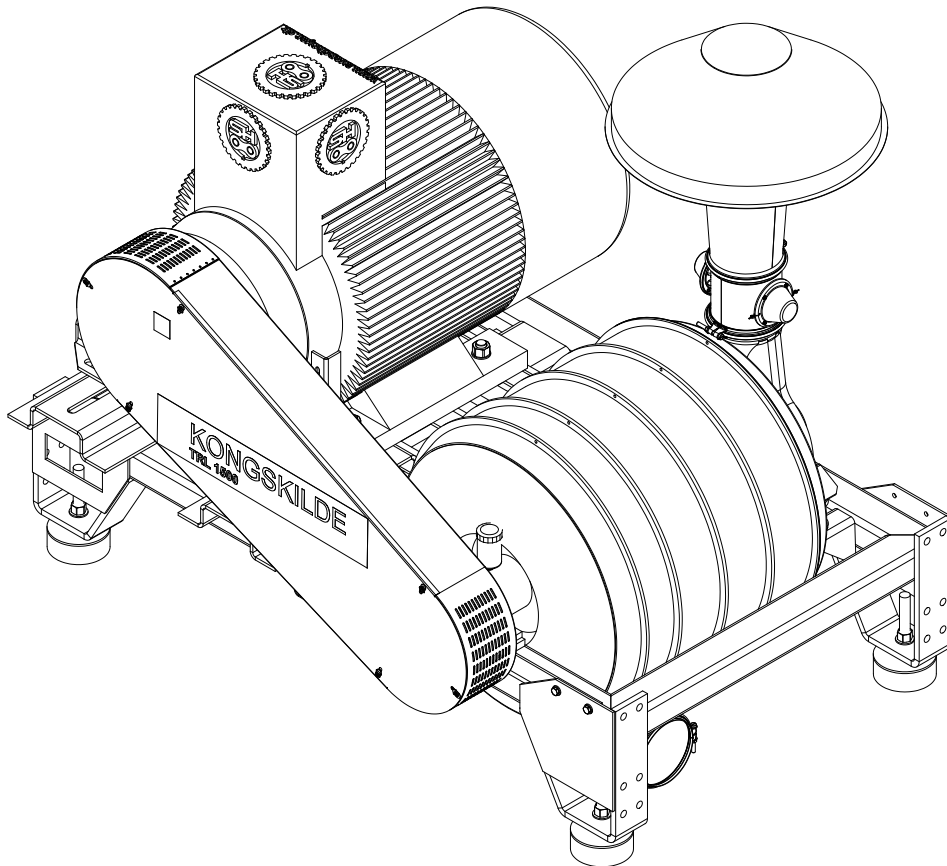
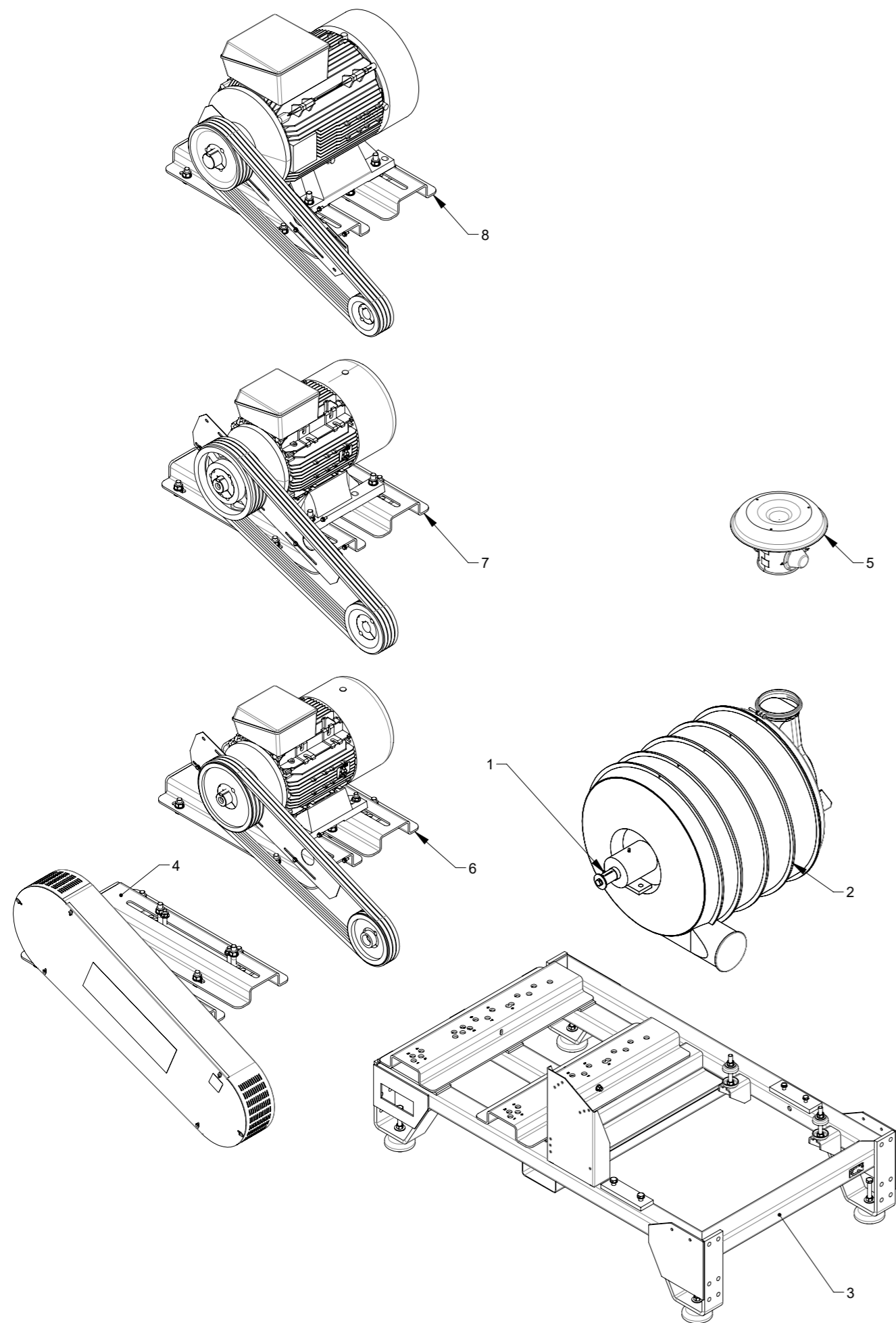


TRL 600, 750, 1000, 1250 & 1500

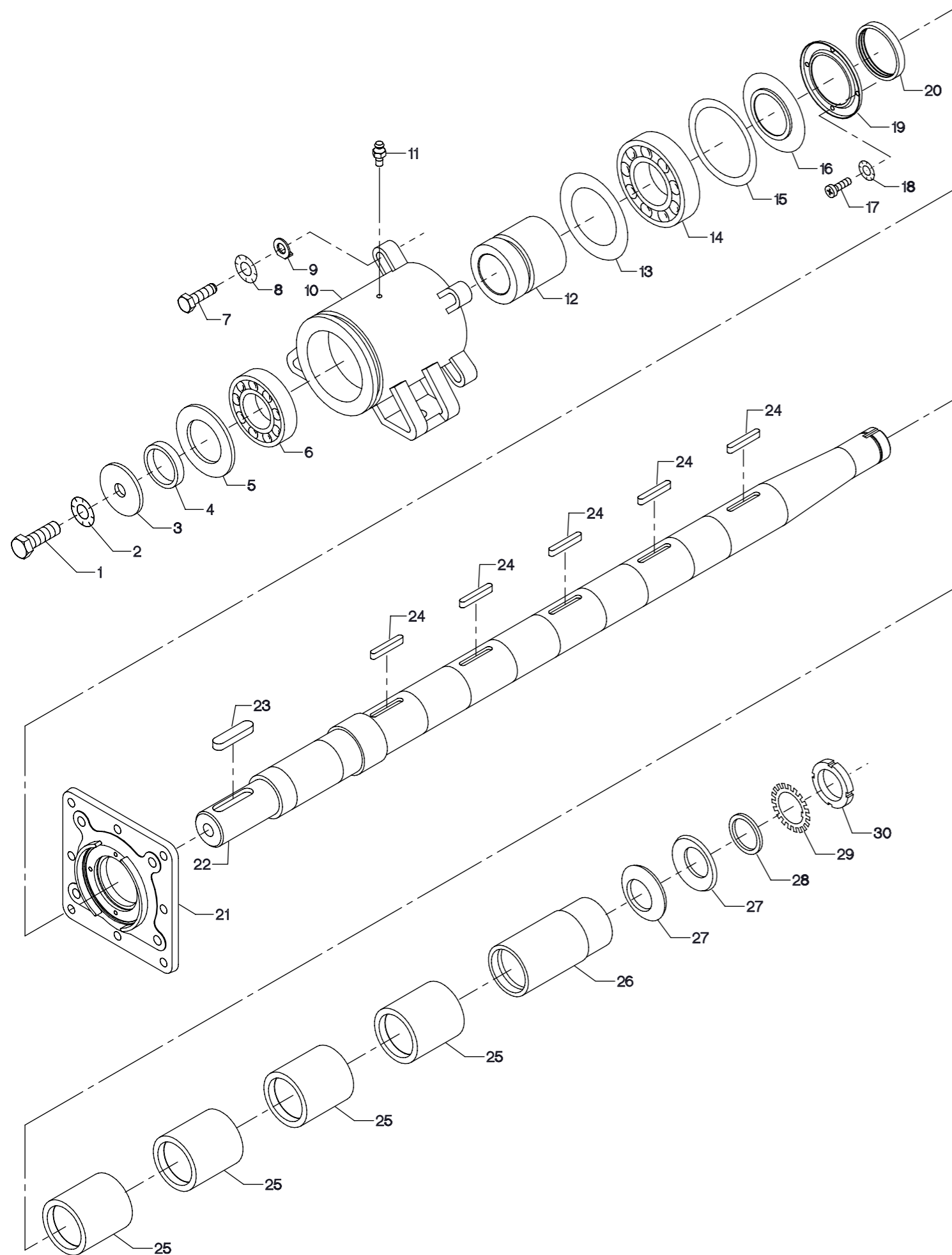
High pressure blowers



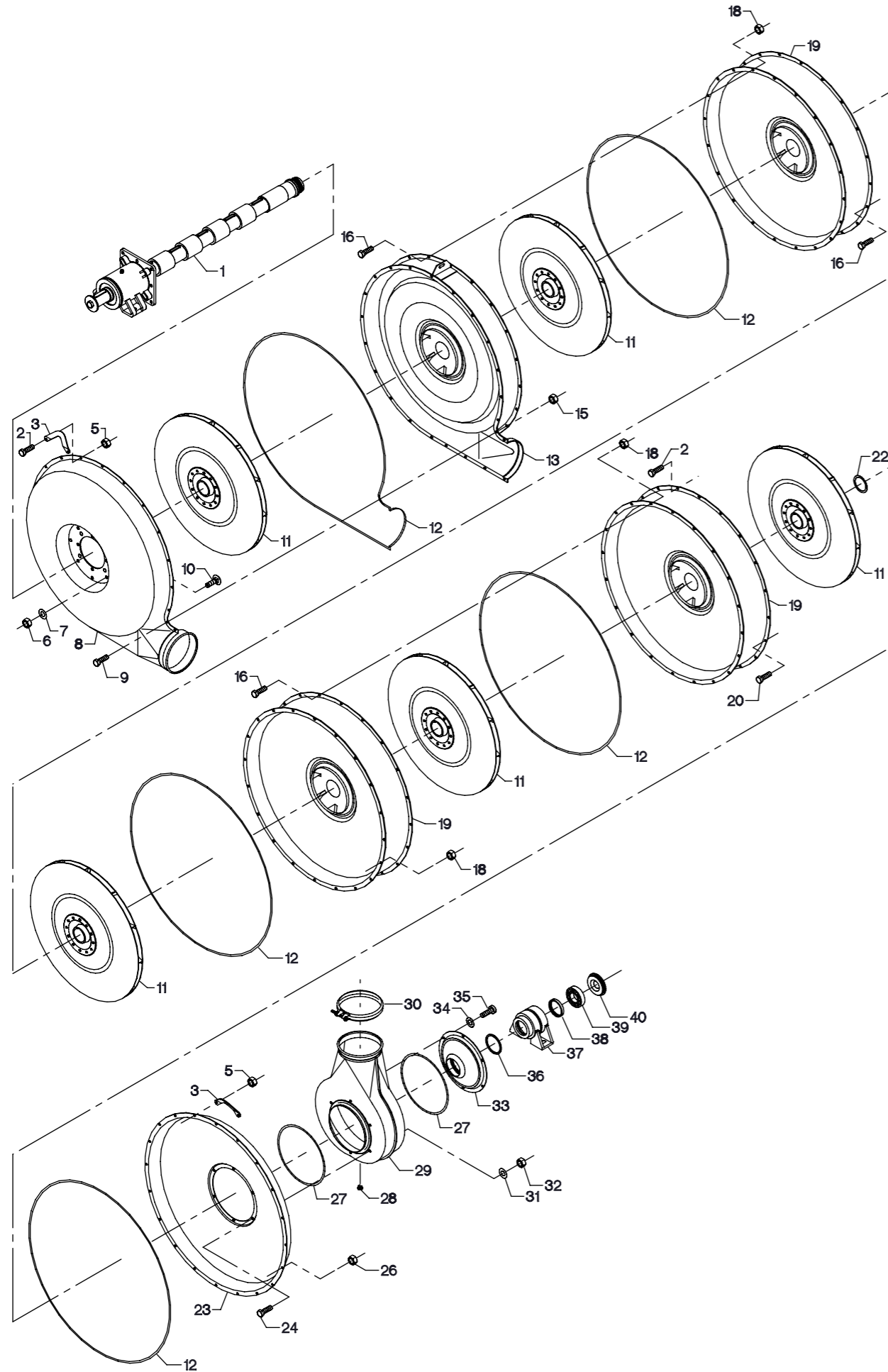
Spare parts list (- from serial no. 1211515xx)



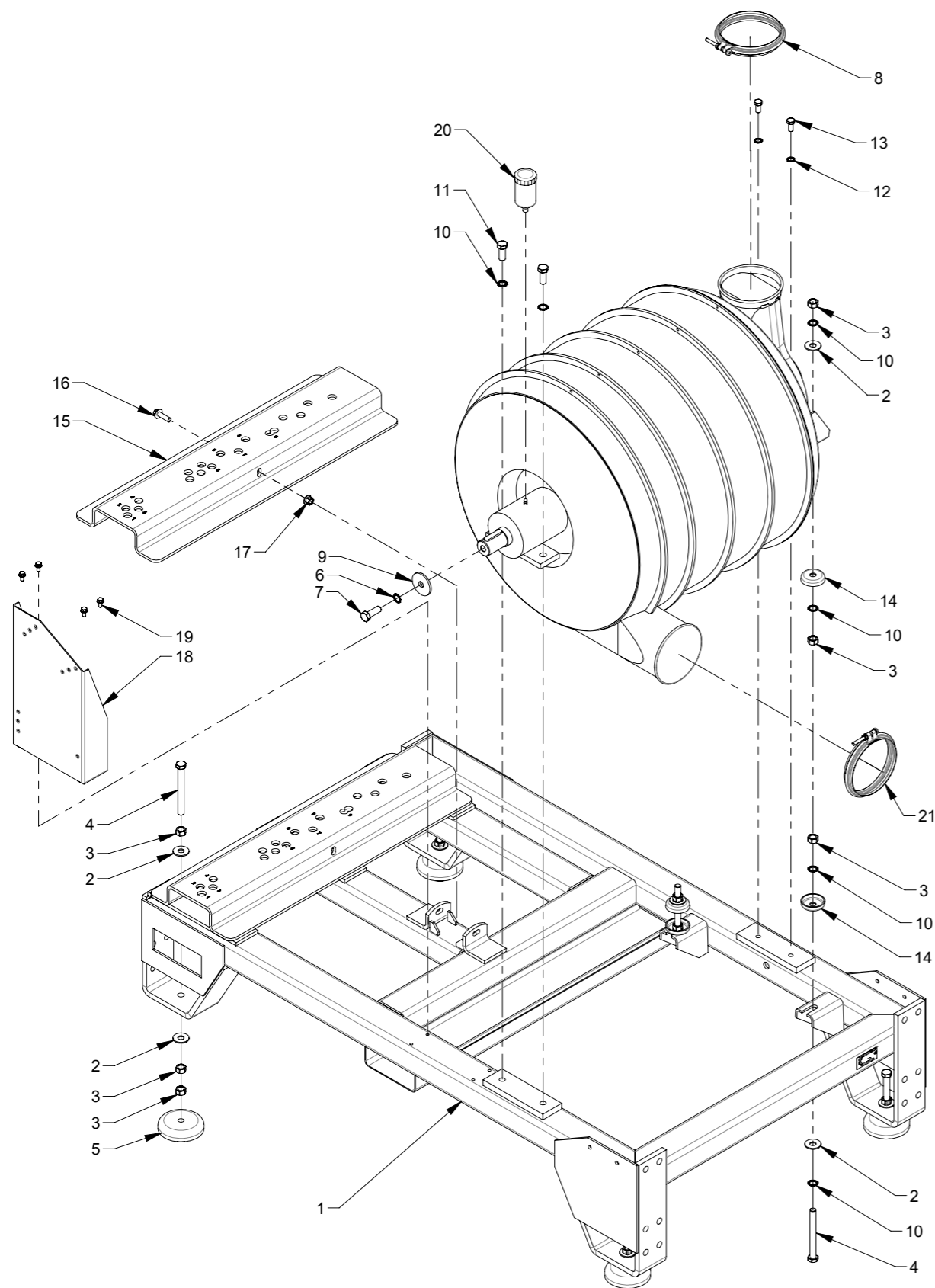
Pos.	Spare parts list - page	Description
1	1 121151901-04-05	Blower shaft
1	2 121151901-06-07	Blower housing
1	3 121151901-08-09	Bottom frame
1	4 121151901-10-11	Belt cover
1	5 121151901-12-13	Inlet
1	6 121151901-14-15	TRL 600 motor and transmission
1	7 121151901-16-17	TRL 750 motor and transmission
1	8 121151901-18-19	TRL 1000 motor and transmission



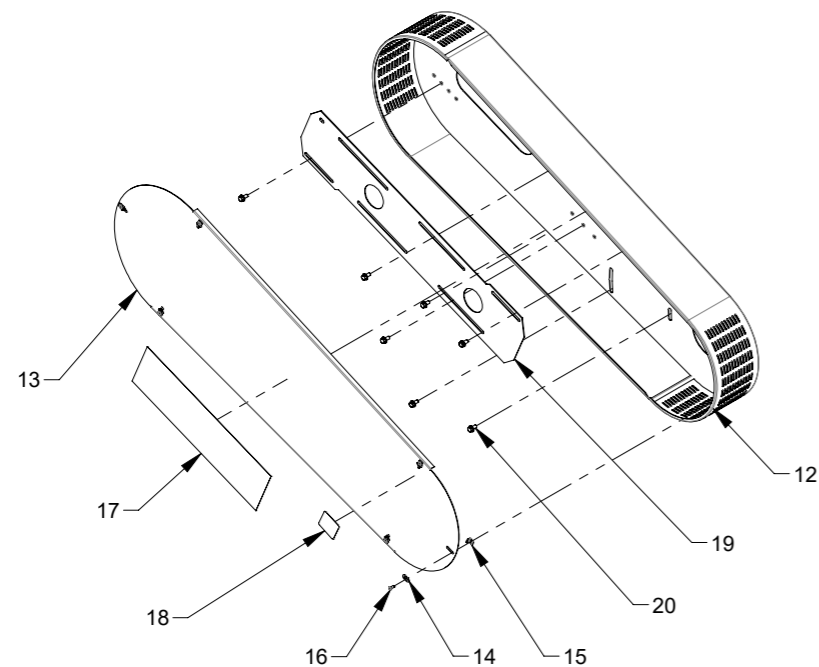
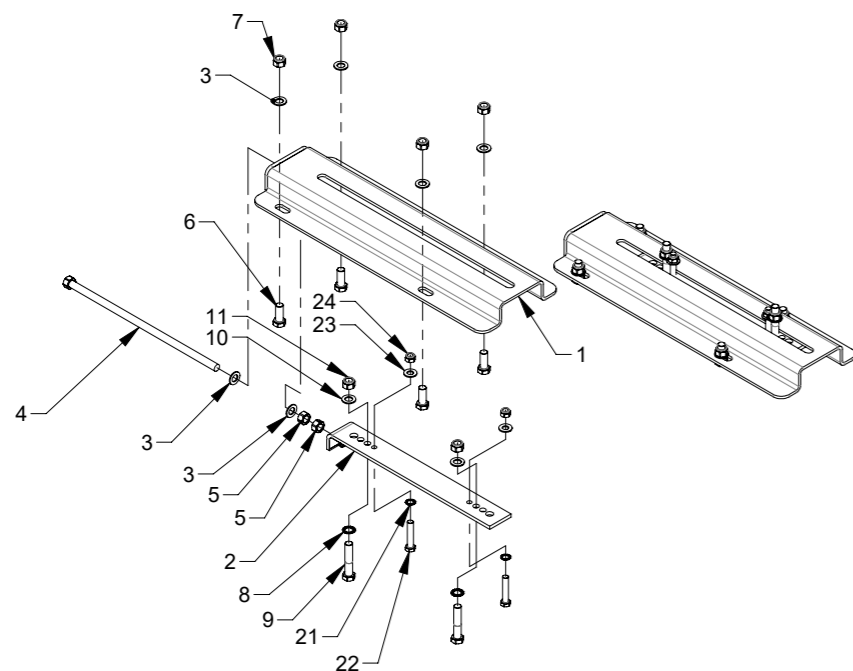
Pos.	Pieces	Part no.	Description
1	1	100 306 056	Set screw M16 x 45 mm
2	1	100 332 006	Star washer M16
3	1	121 121 079	Flat washer ø65/17 x 5 mm
4	1	121 150 242	Spacer
5	1	100 413 065	Sealing washer
6	1	100 402 002	Ball bearing # 22210 CC C3
7	4	100 304 033	Set screw M12 x 35 mm
8	4	100 332 005	Star washer M12
9	4	121 140 024	Lock washer M12, special
10	1	121 140 172	Bearing housing
11	1	100 421 000	Grease nipple M6
12	1	121 140 171	Spacer
13	1	100 323 344	Lock washer M12, special
14	1	100 401 042	Ball bearing # 6310 Z C3
15	1	100 323 343	Spacing washer Ø110/Ø90
16	1	121 140 019	Oil dip ring
17	4	100 321 010	Crosshead screw M5 x 12 mm
18	4	100 332 001	Star washer M5
19	1	121 140 017	Cover
20	1	121 150 243	Sealing ring Ø70/Ø62, plastic
21	1	121 140 176	Flange for main bearing
22	1	121 150 231	Shaft
23	1	100 405 007	Key 14 x 9 x 60 mm
24	5	100 405 013	Key 8 x 7 x 50 mm
25	4	121 150 237	Spacer
26	1	121 150 238	Spacer
27	2	100 323 144	Disc washer
28	1	121 130 226	Spacer
29	1	100 407 025	Star washer MB 8
30	1	100 323 064	Ring nut KM 8
Cpl:	1	121 150 008	Bearing housing complete. Incl. items 1 - 30



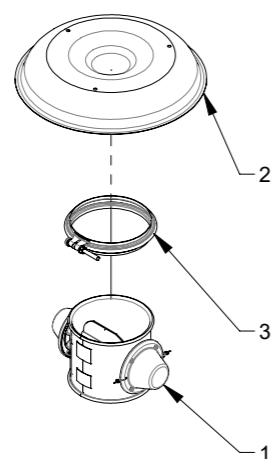
Pos	Pieces	Part no.	Description
1	1	121 150 008	Blower shaft, complete
2	4	100 306 001	Set screw M6 x 20 mm
3	2	121 150 257	Handle
5	4	100 316 075	Flange Nut M6 DIN 6923
6	8	100 316 003	Lock nut M8
7	8	100 331 005	Flat washer M8
8	1	121 140 111	Blower housing part 1
9	21	100 323 041	Set screw M6 x 16 mm
10	8	100 311 017	Coach bolt M8 x 25 mm
11	5	121 150 166	Rotor
12	-	121 100 303	Sealing strip. Indicate length 13 m when ordering
13	1	121 120 385	Blower housing intermediate part 1
15	21	100 316 075	Flange Nut M6 DIN 6923
16	60	100 323 041	Set screw M6 x 16 mm
18	60	100 316 075	Flange Nut M6 DIN 6923
19	3	121 130 253	Blower housing intermediate part 2
20	18	100 323 041	Set screw M6 x 16 mm
22	-	121 150 182	Flat washer
23	1	121 165 051	Blower housing part 2
24	6	100 306 001	Set screw M6 x 20 mm
26	18	100 316 075	Flange Nut M6 DIN 6923
27	-	100 203 030	Sealing strip 2x6 mm. Indicate length 1.6 m when ordering
28	1	121 130 131	Valve
29	1	121 130 255	Air intake
30	1	122 000 857	Clamp with screw OK160
31	6	100 331 004	Flat washer M6
32	6	100 316 002	Lock nut M6
33	1	121 130 257	Support plate
34	6	100 332 002	Star washer M6
35	6	100 321 013	Crosshead screw M6 x 10 mm
36	1	100 413 066	O-ring
37	1	121 134 376	Bearing housing
38	1	121 150 243	Sealing ring
39	1	100 401 072	Ball bearing # 6208 - 2RS
40	1	121 130 042	Bearing cover
Cpl:	1	121 165 050	Blower section complete including packing. Incl.items 1-40



Pos.	Pcs.	Part no.	Description
1	1	121151125	Bottom frame
2	12	121108135	Washer Ø42/17 x 3mm, steel
3	18	100315020	Nut M16 DIN 934
4	6	121140125	Set screw M16x150mm DIN 933, elgalvanized
5	4	100323390	Vibration damper
6	1	100332006	DIN 6798A M16
7	1	100306056	M16x45 DIN 933
8	1	122000857	Clamp with bolt OK160
9	1	121121079	Washer for blower shaft
10	10	100332006	DIN 6798A M16
11	2	100306055	M16x40 DIN 933
12	2	100332005	DIN 6798A M12
13	2	100306042	Set screw M12 x 25mm DIN 933, elgalvanized
14	4	121140124	Washer Ø57x15mm
15	1	121151128	Profile for motor location painted
16	2	100308209	M12x40 DIN 6921
17	2	100316109	Flangenut with threadlock M12 DIN6927 elgalvanized
18	1	121151134	Console for belt cover
19	4	100323387	Flange set screw M8x16 DIN 6921
20	1	100205127	Automatic lubricators system 24
21	1	122000857	Clamp with bolt OK160

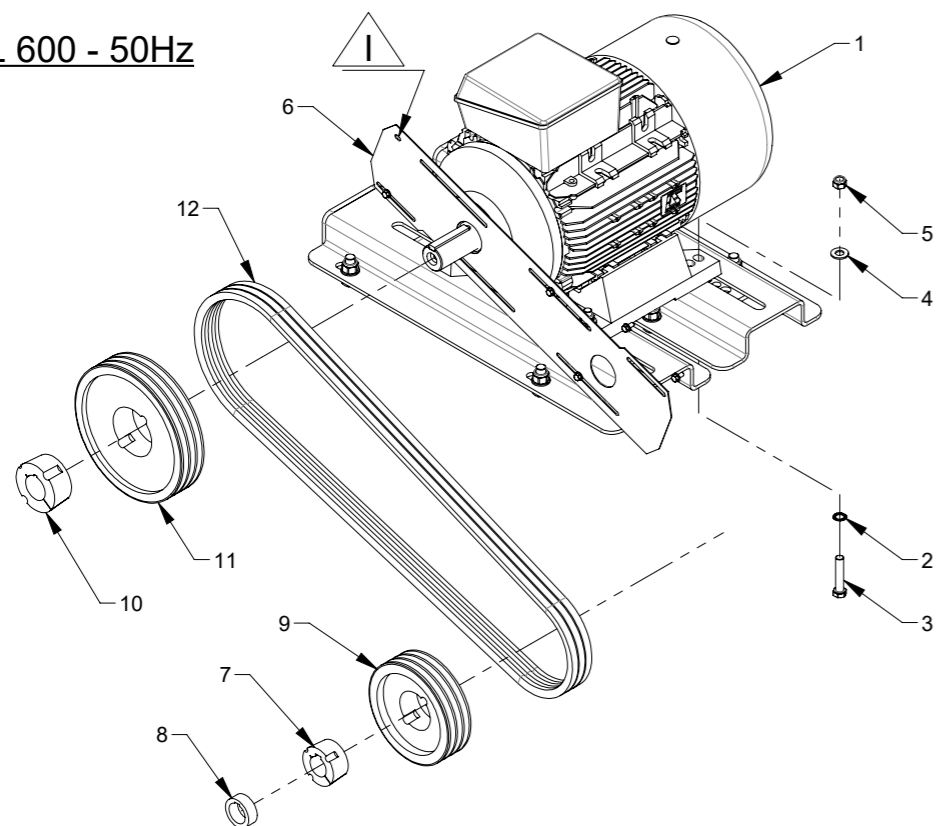


Pos.	Pcs.	Part no.	Description
1	1	121151131	Motor profile for belt tensioner
2	1	121151039	Belt tensioner
3	6	100331009	Washer M20
4	1	129010183	Screw M20x560mm
5	2	100315019	M20 DIN 934
6	4	100306065	M20x50 DIN 933
7	4	100316007	Locking nut M20 DIN 985-6, elgalvanized
8	4	100332007	Serrated washer M20 DIN 6798A
9	4	100323061	M20x60 DIN 933
10	4	100331009	Washer M20
11	4	100316007	Locking nut M20 DIN 985-6, elgalvanized
12	1	121151136	Belt cover
13	1	121151070	Side plate for belt guard loose
14	6	121000686	Oval washer Ø24/Ø14mm
15	6	121000402	Retaining washer for belt cover
16	6	100321010	Pan head machine screw M5x12 DIN 7985A el galvanized
17	1	121151084	Label "KONGSKILDE TRL 600 / 1500", blue/black on transparent
18	1	121000461	Label "Turn max. 2 twists anticlockwise", black on silver
19	1	121151138	Inner plate for belt cover
20	7	100323387	Flange set screw M8x16 DIN 6921
21	4	100332006	DIN 6798A M16
22	4	100307005	Set screw M16x80mm DIN 933, elgalvanized
23	4	100331012	Washer M16, elgalvanized
24	4	100316006	Lock nut M16 DIN 985-6

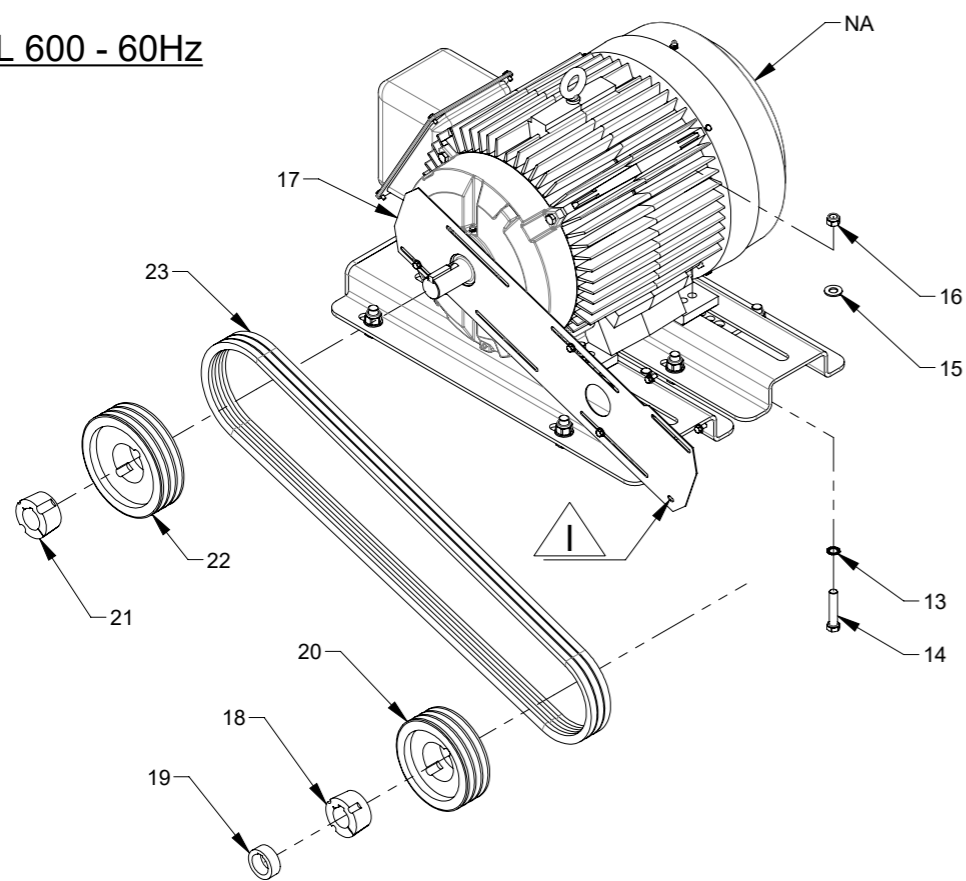


Pos.	Pcs.	Part no.	Description
1	1	121150186	Air regulator assembled for SUC
2	1	121123148	Intake cover Ø160mm
3	1	122000857	Clamp with bolt OK160

TRL 600 - 50Hz

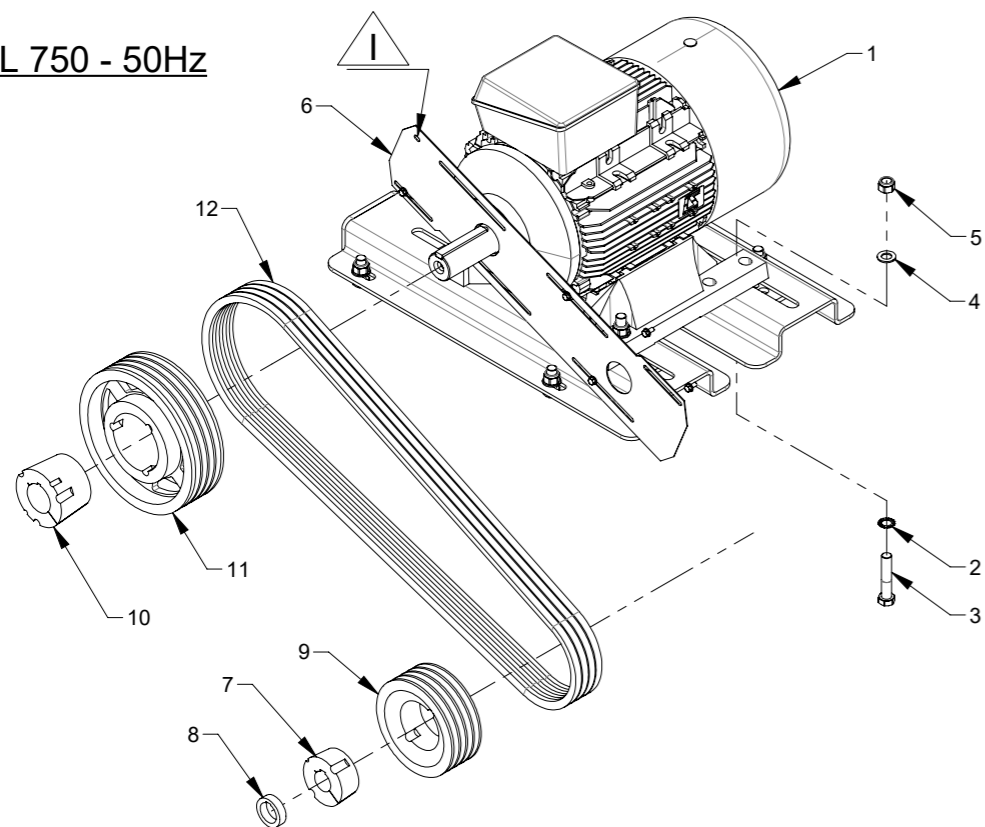


TRL 600 - 60Hz

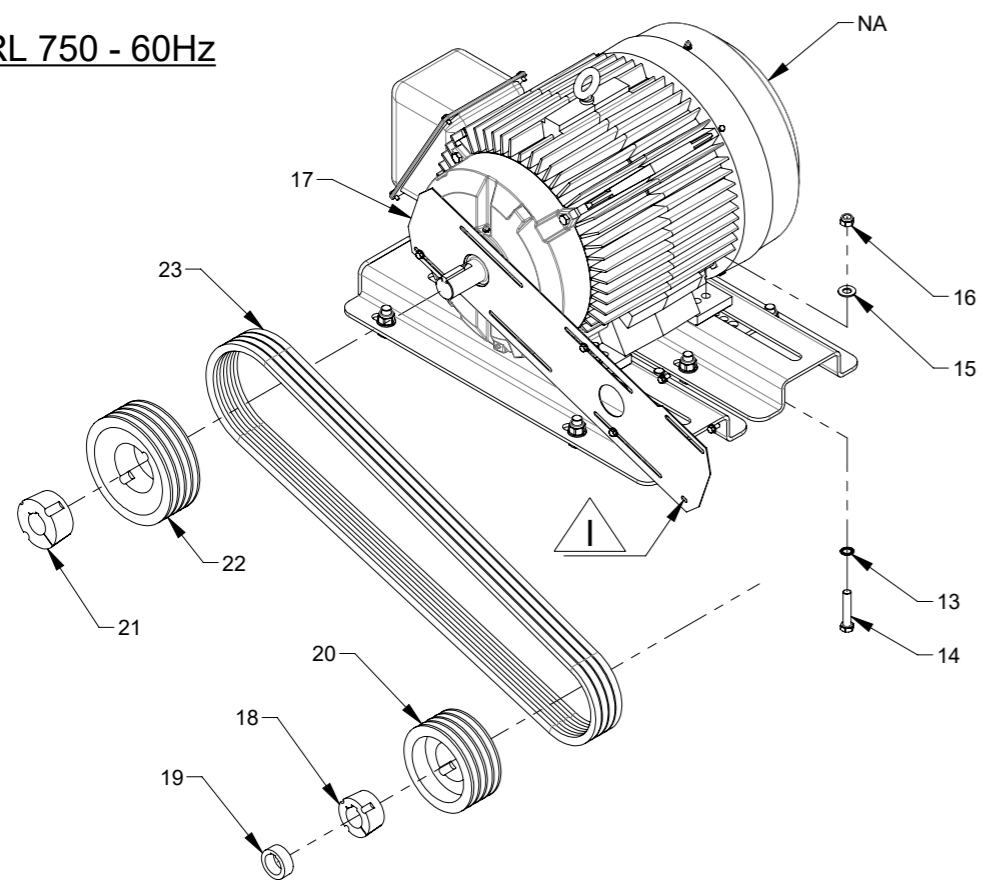


Pos.	Pcs.	Part no.	Description
1	1	100501224	AC Motor 225M-2p B3 45(45)kW 3x400/690(460)V 50(60)Hz IE3 UL/CSA PTC
2	4	100332006	DIN 6798A M16
3	4	100307005	Set screw M16x80mm DIN 933, elgalvanized
4	4	100331012	Washer M16, elgalvanized
5	4	100316006	Lock nut M16 DIN 985-6
6	1	121151138	Inner plate for belt cover
7	1	100426028	Taper buches 2517-45
8	1	121151085	Distance washer Ø65/Ø45,1x24mm, steel
9	1	121151166	V-belt pulley SPB 224/3 TB 2517
10	1	100426019	Taper buches 3020-55
11	1	121151177	V-belt pulley SPB 300/3
12	3	100403086	V-belt XPB 2500
13	4	100332006	DIN 6798A M16
14	4	100307005	Set screw M16x80mm DIN 933, elgalvanized
15	4	100331012	Washer M16, elgalvanized
16	4	100316006	Lock nut M16 DIN 985-6
17	1	121151138	Inner plate for belt cover
18	1	100426028	Taper buches 2517-45
19	1	121151085	Distance washer Ø65/Ø45,1x24mm, steel
20	1	121151164	V-belt pulley SPB 200/3 TB2517
21	1	100426021	Taper buches 2517- 1 7/8
22	1	121151166	V-belt pulley SPB 224/3 TB 2517
23	3	100403086	V-belt XPB 2500

TRL 750 - 50Hz

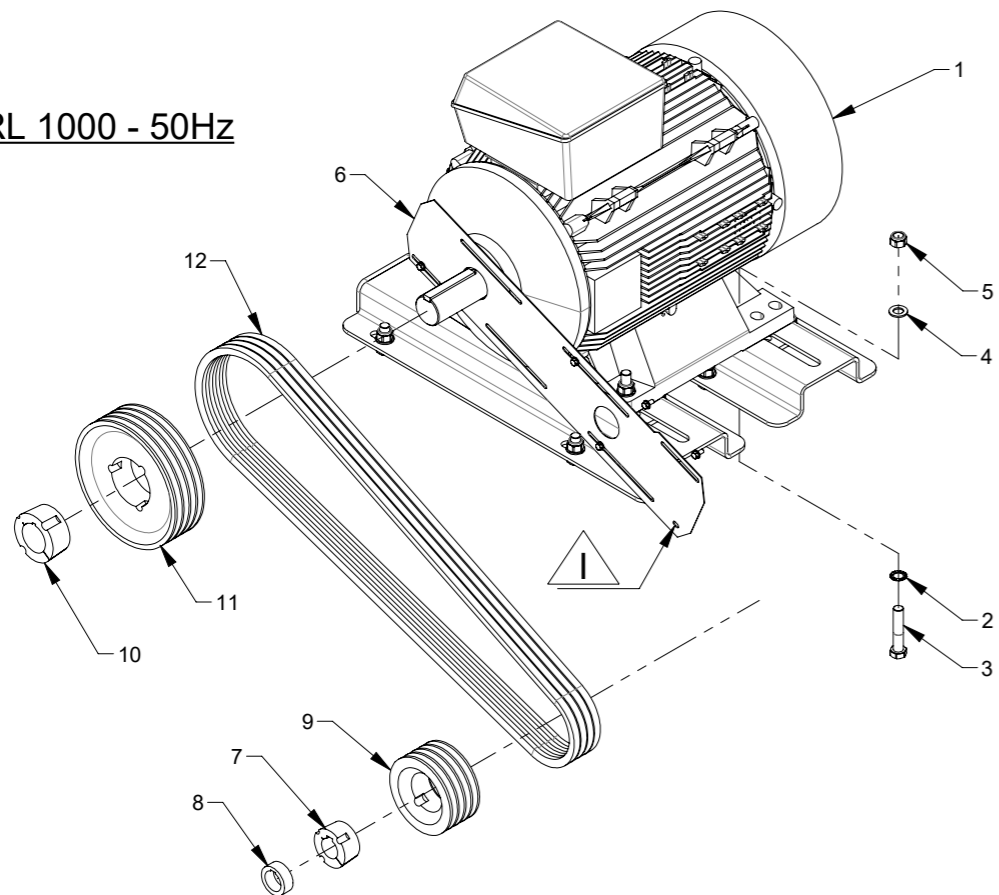


TRL 750 - 60Hz

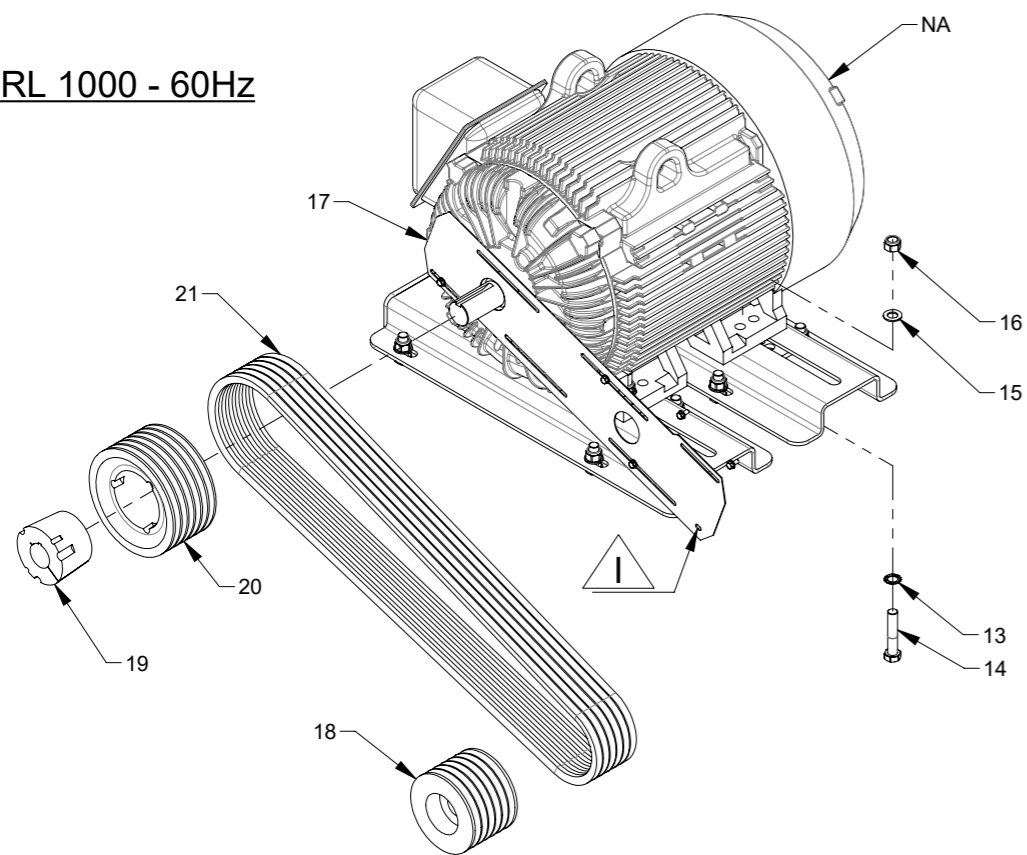


Pos.	Pcs.	Part no.	Description
1	1	100501225	AC Motor 250M-2p B3 55(55)kW 3x400/690(460)V 50(60)Hz IE3 UL/CSA PTC
2	4	100332007	Serrated washer M20 DIN 6798A
3	4	100323061	M20x60 DIN 933
4	4	100331009	Washer M20
5	4	100316007	Locking nut M20 DIN 985-6, elgalvanized
6	1	121151138	Inner plate for belt cover
7	1	100426027	Taper buches 3020-45
8	1	121151086	Distance washer Ø65/Ø45,1x17,5mm, steel
9	1	121151148	V-belt pulley SPB 212/4
10	1	100426020	Taper buches 3535-60
11	1	121151105	V-belt pulley SPB 315/4 TB3535
12	4	100403086	V-belt XPB 2500
13	4	100332006	DIN 6798A M16
14	4	100307005	Set screw M16x80mm DIN 933, elgalvanized
15	4	100331012	Washer M16, elgalvanized
16	4	100316006	Lock nut M16 DIN 985-6
17	1	121151138	Inner plate for belt cover
18	1	100426028	Taper buches 2517-45
19	1	121151085	Distance washer Ø65/Ø45,1x24mm, steel
20	1	121151161	V-belt pulley SPB 190/4 TB2517
21	1	100426022	Taper buches 3020- 1 7/8
22	1	121151163	V-belt pulley SPB 236/4
23	4	100403086	V-belt XPB 2500

TRL 1000 - 50Hz



TRL 1000 - 60Hz



Pos.	Pcs.	Part no.	Description
1	1	100501226	AC Motor 280S-2p B3 75(75)kW 3x400/690(460)V 50(60)Hz IE3 UL/CSA PTC
2	4	100332007	Serrated washer M20 DIN 6798A
3	4	100323061	M20x60 DIN 933
4	4	100331009	Washer M20
5	4	100316007	Locking nut M20 DIN 985-6, elgalvanized
6	1	121151138	Inner plate for belt cover
7	1	100426028	Taper bushes 2517-45
8	1	121151085	Distance washer Ø65/Ø45,1x24mm, steel
9	1	121151180	V-belt pulley SPB 170/4
10	1	100426016	Taper bushes 3020-65
11	1	121151179	V-belt pulley SPB 280/4 TB 3020
12	4	100403086	V-belt XPB 2500
13	4	100332007	Serrated washer M20 DIN 6798A
14	4	100323061	M20x60 DIN 933
15	4	100331009	Washer M20
16	4	100316007	Locking nut M20 DIN 985-6, elgalvanized
17	1	121151138	Inner plate for belt cover
18	1	121151185	V-belt pulley SPB 170/6
19	1	100426023	Taper bushes 3535- 2 1/8
20	1	121151142	V-belt pulley SPB 236/6
21	6	100403086	V-belt XPB 2500

Kongskilde Industries A/S

Skælskørvej 64

DK - 4180 Sorø

Tel. +45 72 17 60 00

mail@kongskilde-industries.com

www.kongskilde-industries.com