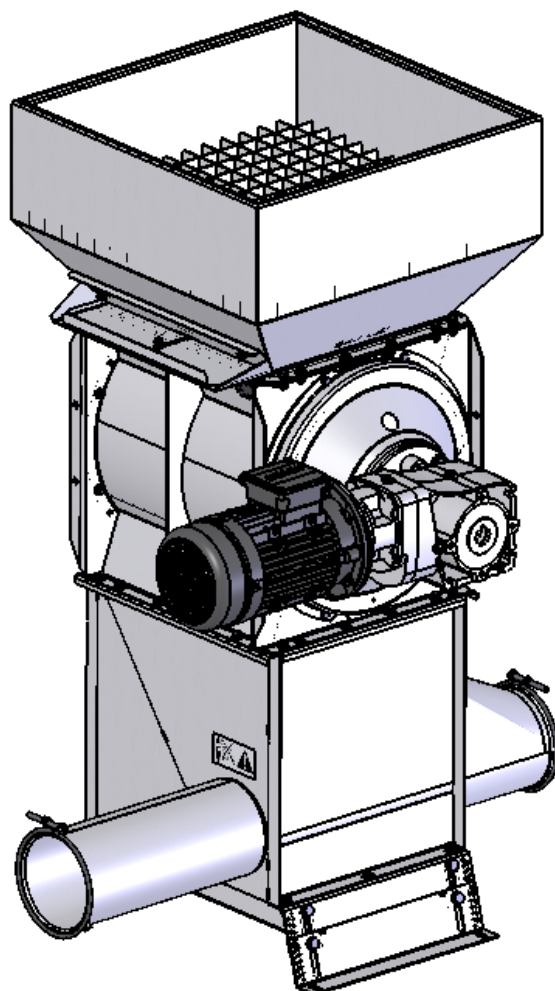
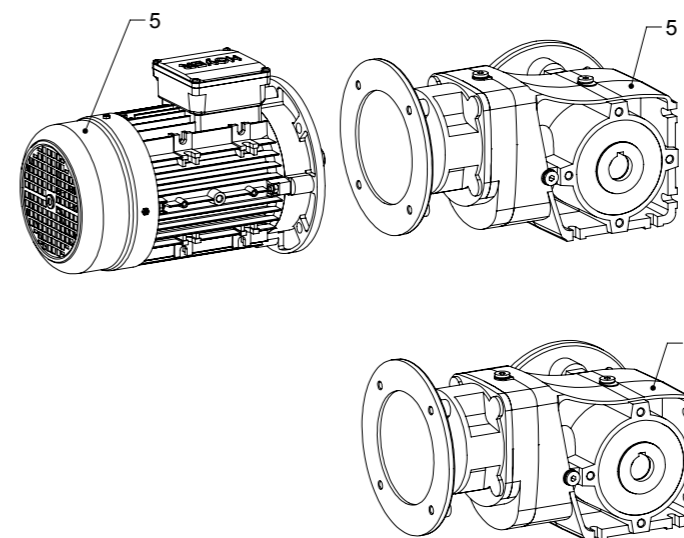
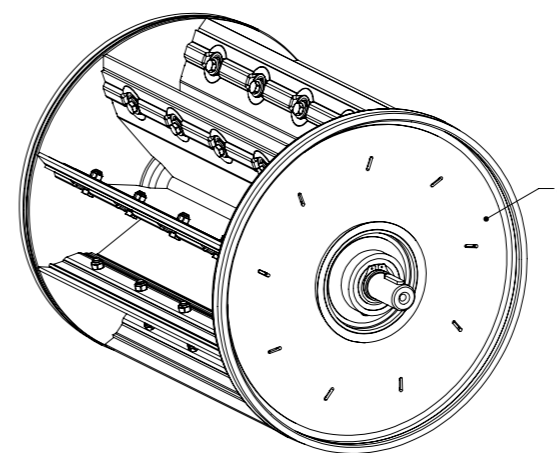
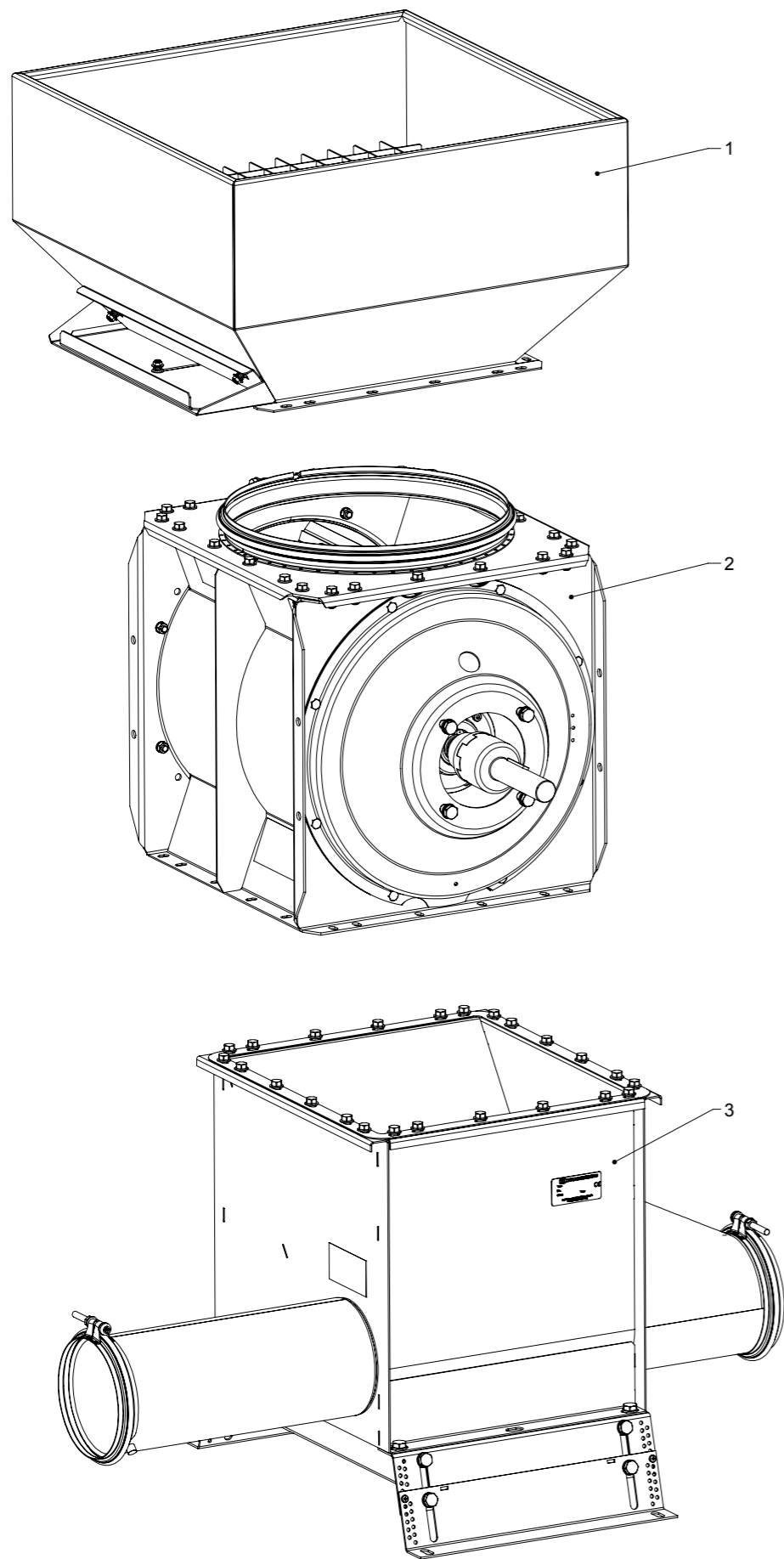


CAD 50

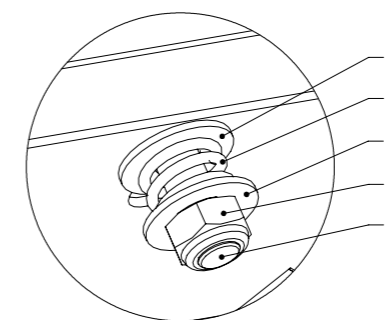
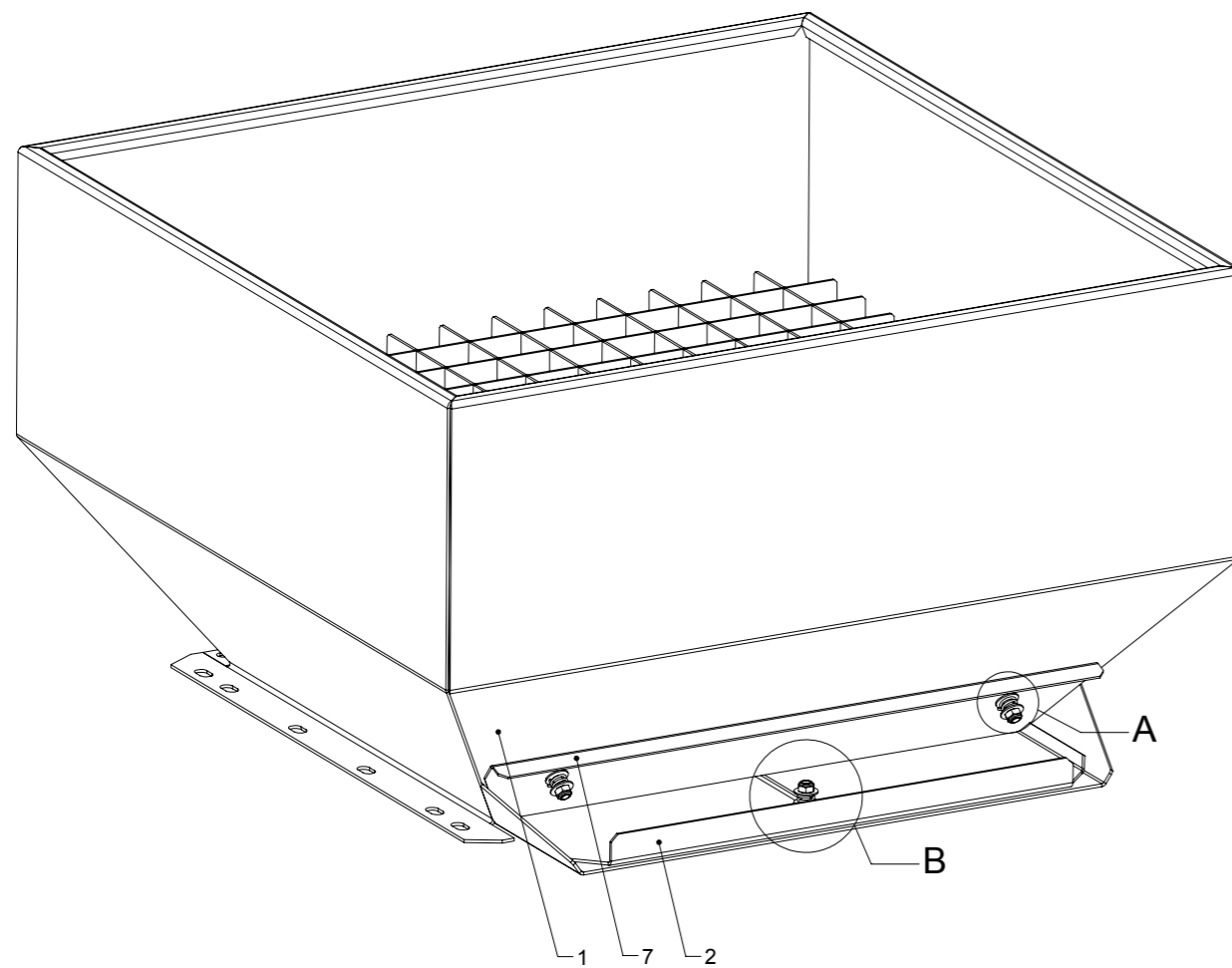
Rotary valve, with base part and funnel



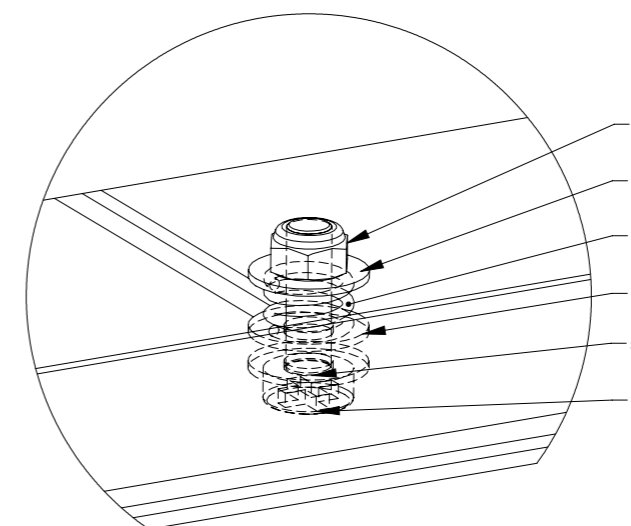
Spare parts list



Pos.	Spare parts list - page	Notes
1	1 121150349-04-05	CA 50 Funnel with shutters
1	2 121150349-06-07	CA 50 Cell feeders for gear motor
1	3 121150349-08-09	CAD 50 Base with feet
1	4 121150349-10-11	CA 50 Rotor
1	5 121150349-12-13	CAD 50 Gear and motor

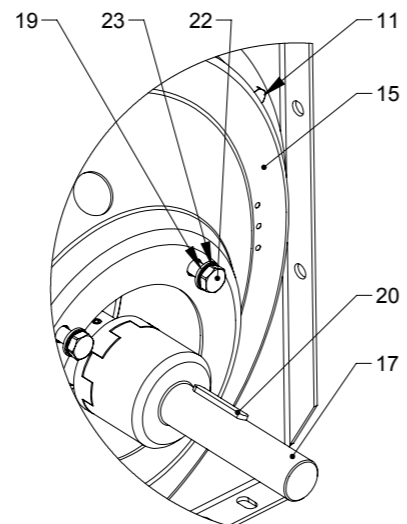
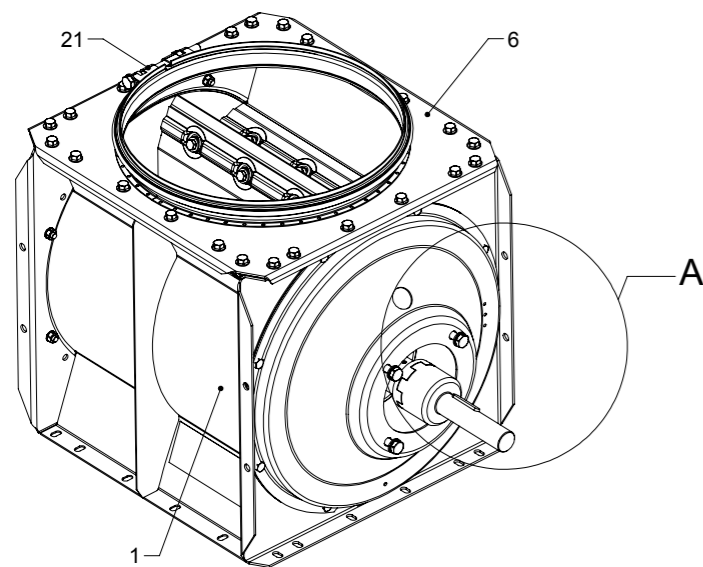


DETAIL A (1 : 1)

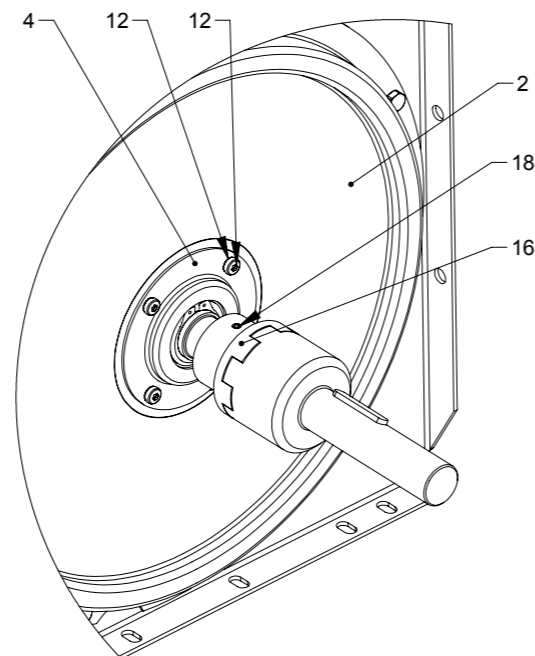
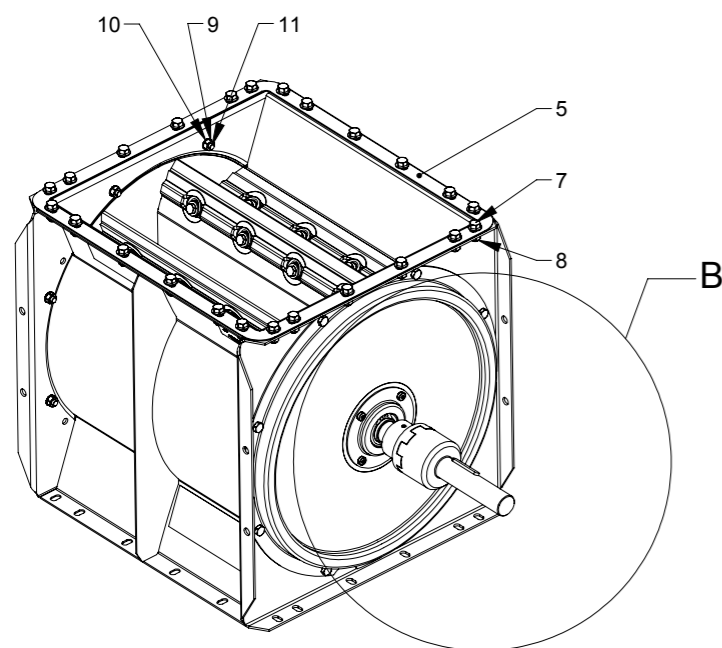


DETAIL B (1 : 1)

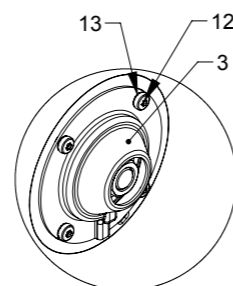
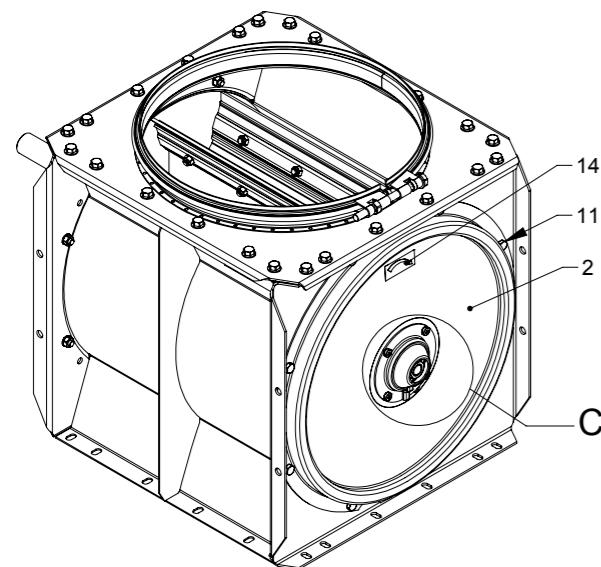
Pos.	Pieces	Part no.	Notes
1	1	121108503	
2	1	121108509	
3	3	100321016	M6x20
4	3	100316002	M6 DIN985-6
5	7	100331004	Washer 1/4"
6	3	122000611	
7	1	121108514	



DETAIL A (1 : 5)

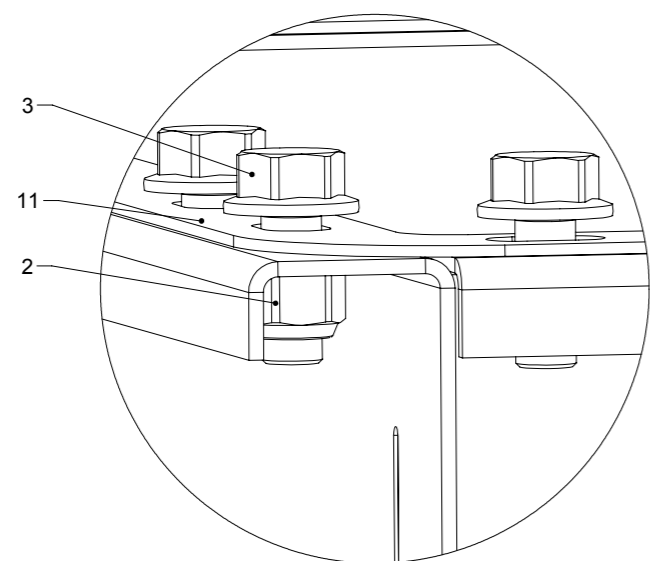


DETAIL B (1 : 5)

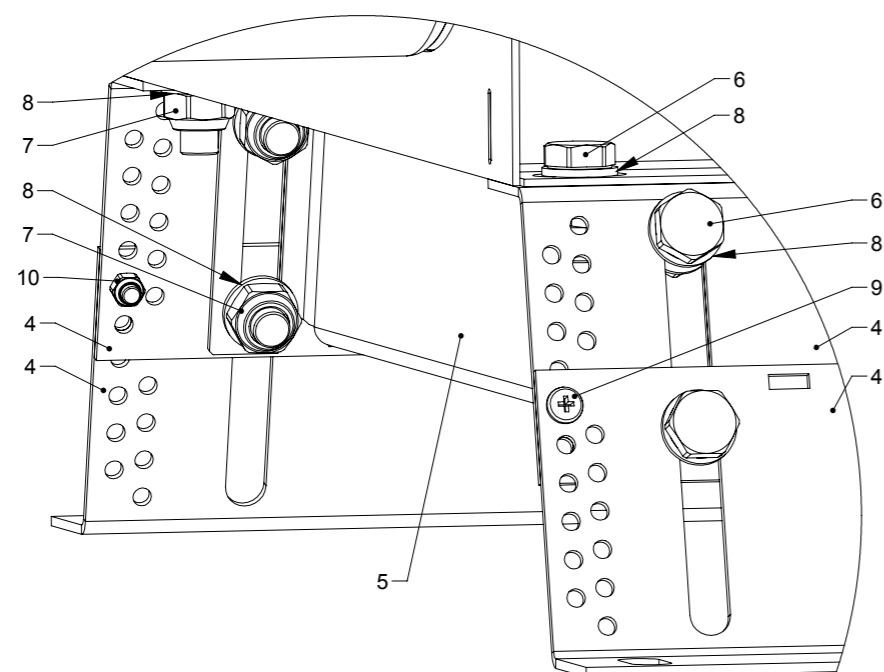


DETAIL C (1 : 5)

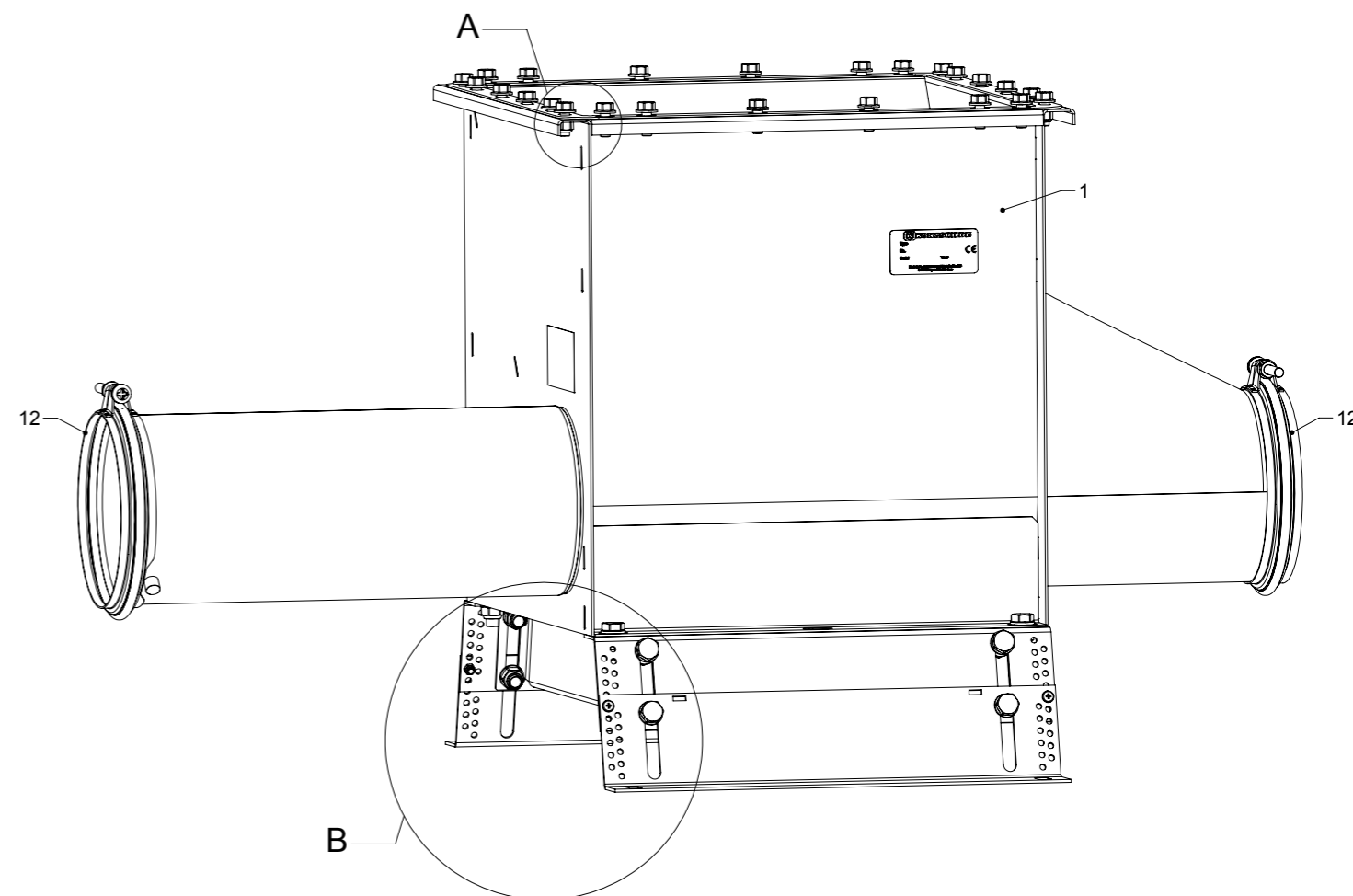
Pos.	Pieces	Part no.	Notes
1	1	121150075	
2	2	121109088	
3	1	121109090	
4	1	121109089	
5	1	121150193	
6	1	121150076	
7	24	100323380	M8x20 DIN 6921
8	24	100316093	M8 DIN 6926
9	16	100315012	M8 DIN 934
10	16	100332003	DIN 6798A M8
11	16	100306014	M8x16 DIN 933
12	8	100321014	M6 x10 ISO 14583
13	8	100332002	DIN 6798A M6
14	1	121100275	
15	1	121108278	
16	1	121108275	
17	1	121108513	
18	1	100322010	M6x8 DIN 914
19	4	100331006	Washer M10
20	1	100405013	KEY A8x7x50 DIN 6885
21	1	131040113	
22	4	100303031	M10x25 DIN 933
23	4	100332004	DIN 6798A M10



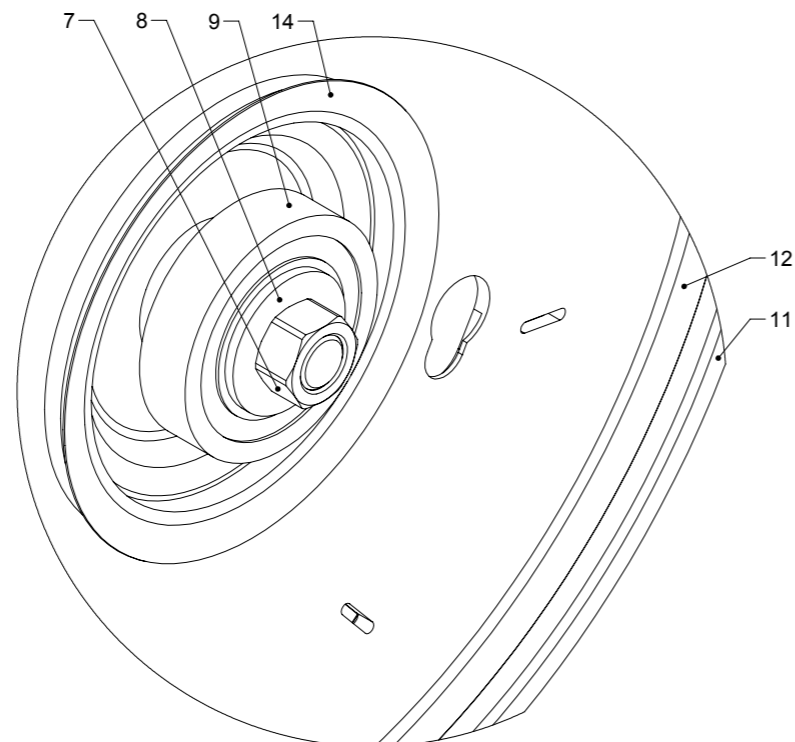
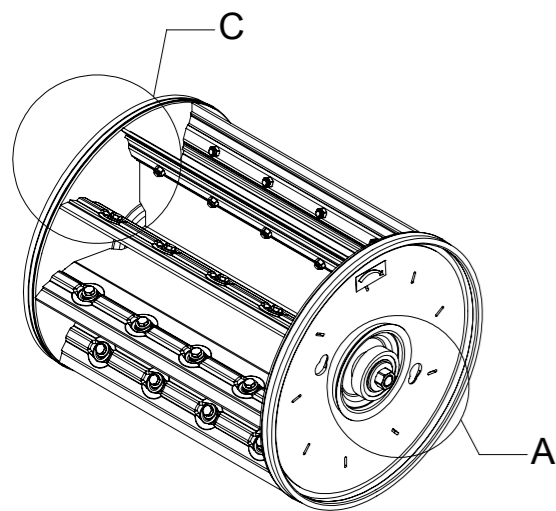
DETAIL A (1 : 1)



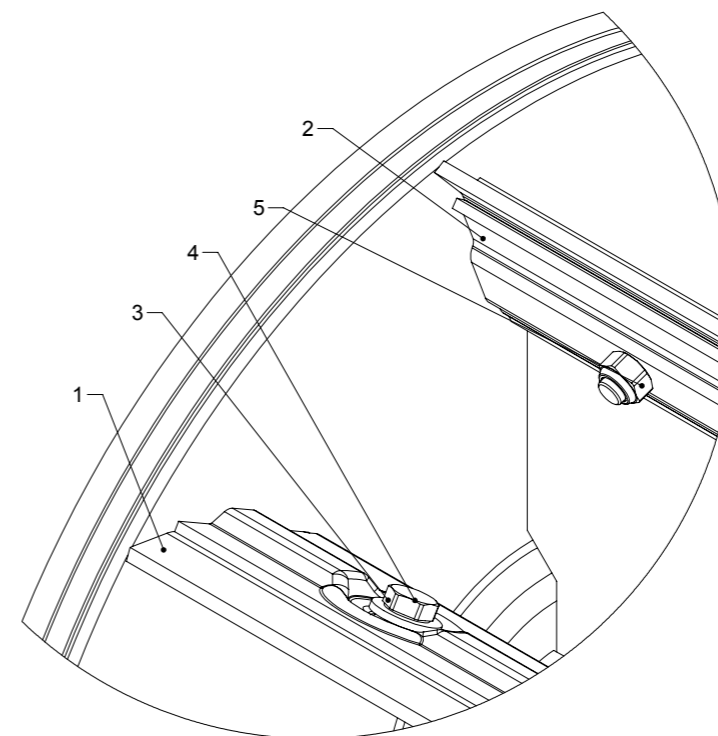
DETAIL B (1 : 2)



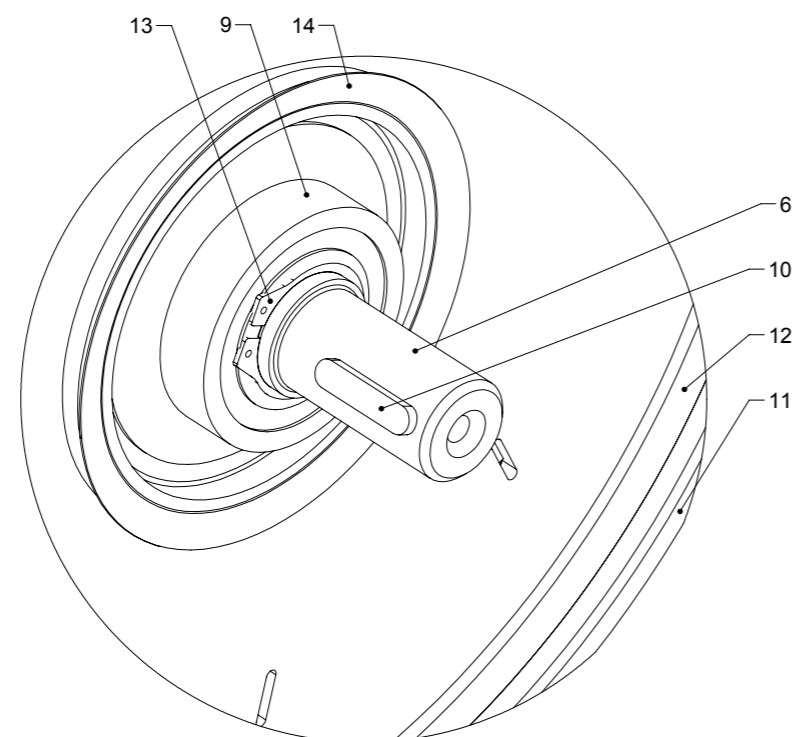
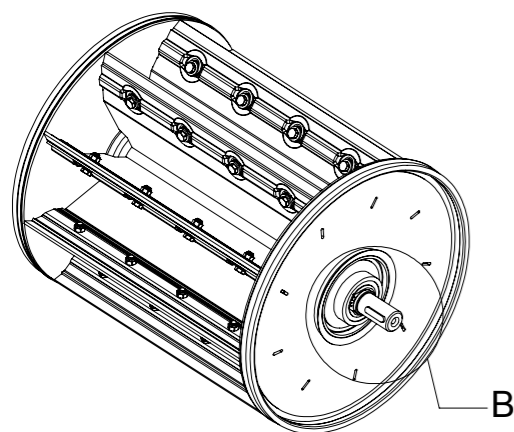
Pos.	Pieces	Part no.	Notes
1	1	121150116	
2	24	100316093	M8 DIN 6926
3	24	100323380	M8x20 DIN 6921
4	4	121150347	
5	2	121150348	
6	12	100303031	M10x25 DIN 933
7	12	100316004	M10 DIN 985-6
8	24	100331014	Washer 5/16"
9	4	100321010	
10	4	100316063	M5 DIN 985-6
11	1	121150193	
12	2	122001078	Clamp with bolt OK160 for spec. safety joint



DETAIL A (1 : 2)



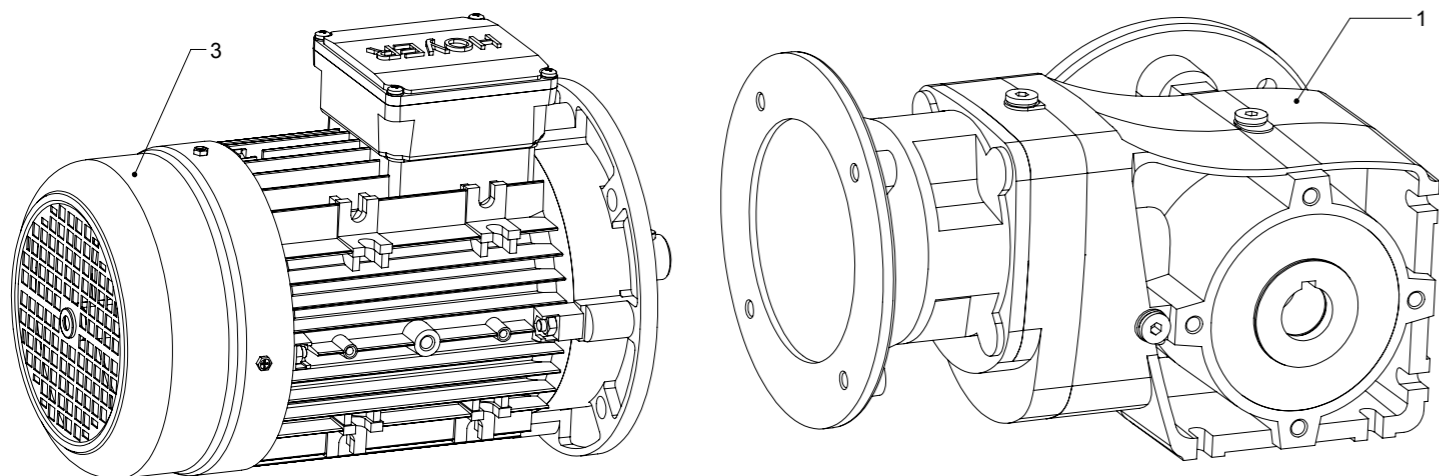
DETAIL C (1 : 2)



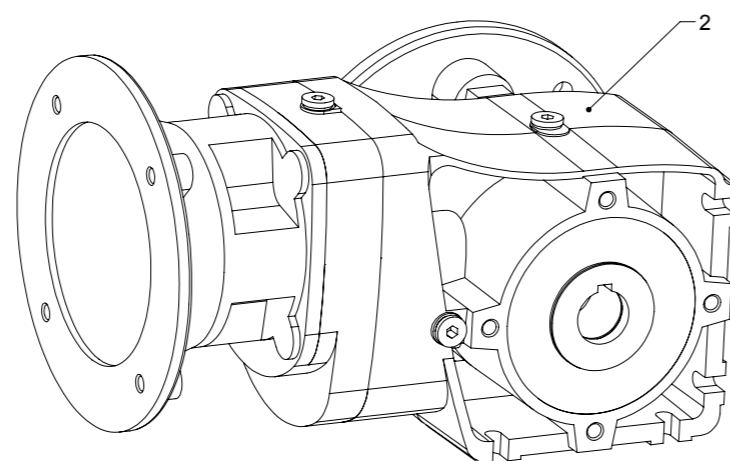
DETAIL B (1 : 2)

Pos.	Pieces	Part no.	Notes
1	9	121150201	
2	9	121150200	
3	36	100331096	
4	36	100308049	M8x25 DIN 933 10,9
5	36	100316003	M8 DIN 985-6
6	1	121108224	
7	1	121150103	
8	1	121108135	
9	2	100401003	6207 2RS1
10	1	100405015	
11	2	121100349	
12	2	121100368	
13	1	100407009	
14	2	100413069	

(For 50Hz)



(For 60Hz)



Pos.	Pieces	Part no.	Notes
1	1	100505167	SK92372.1AF IEC90 B5 I:25,06
2	1	100505168	SK92372.1AF IEC90 B5 I:28,11
3	1	100505012	EI-Motor 90L4 1.5 Kw B5

Kongskilde Industries A/S

Skælskørvej 64

DK - 4180 Sorø

Tel. +45 72 17 60 00

mail@kongskilde-industries.com

www.kongskilde-industries.com