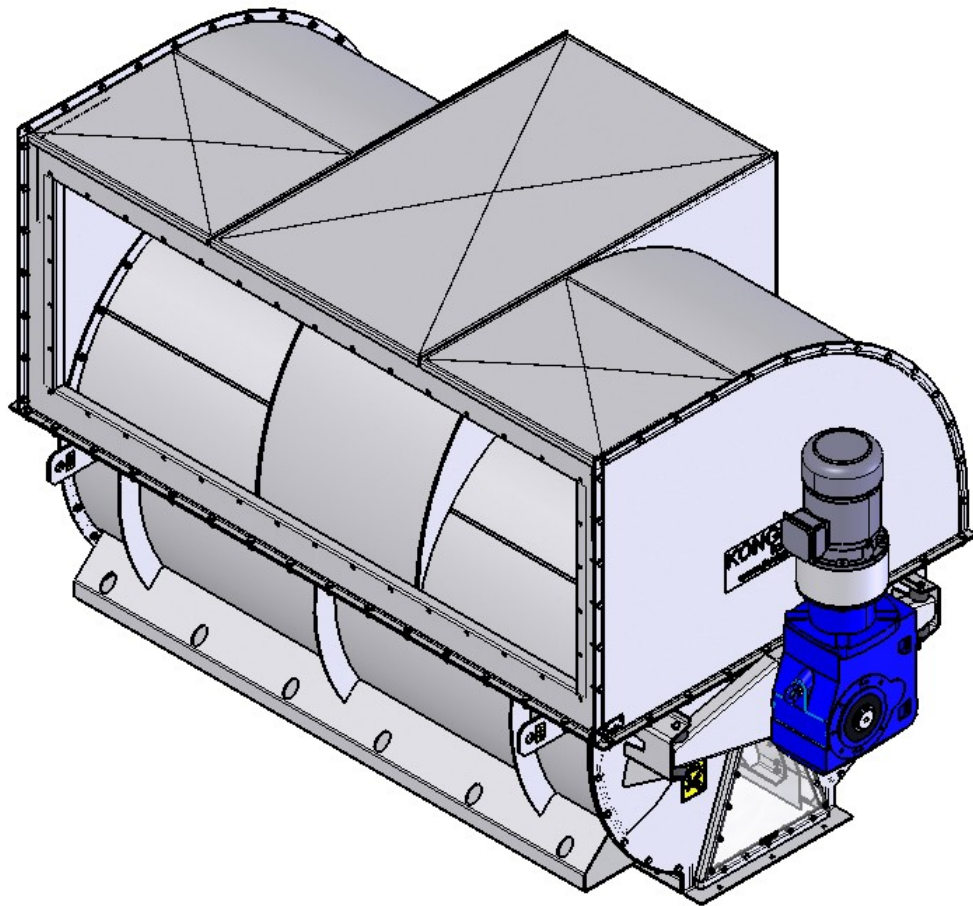
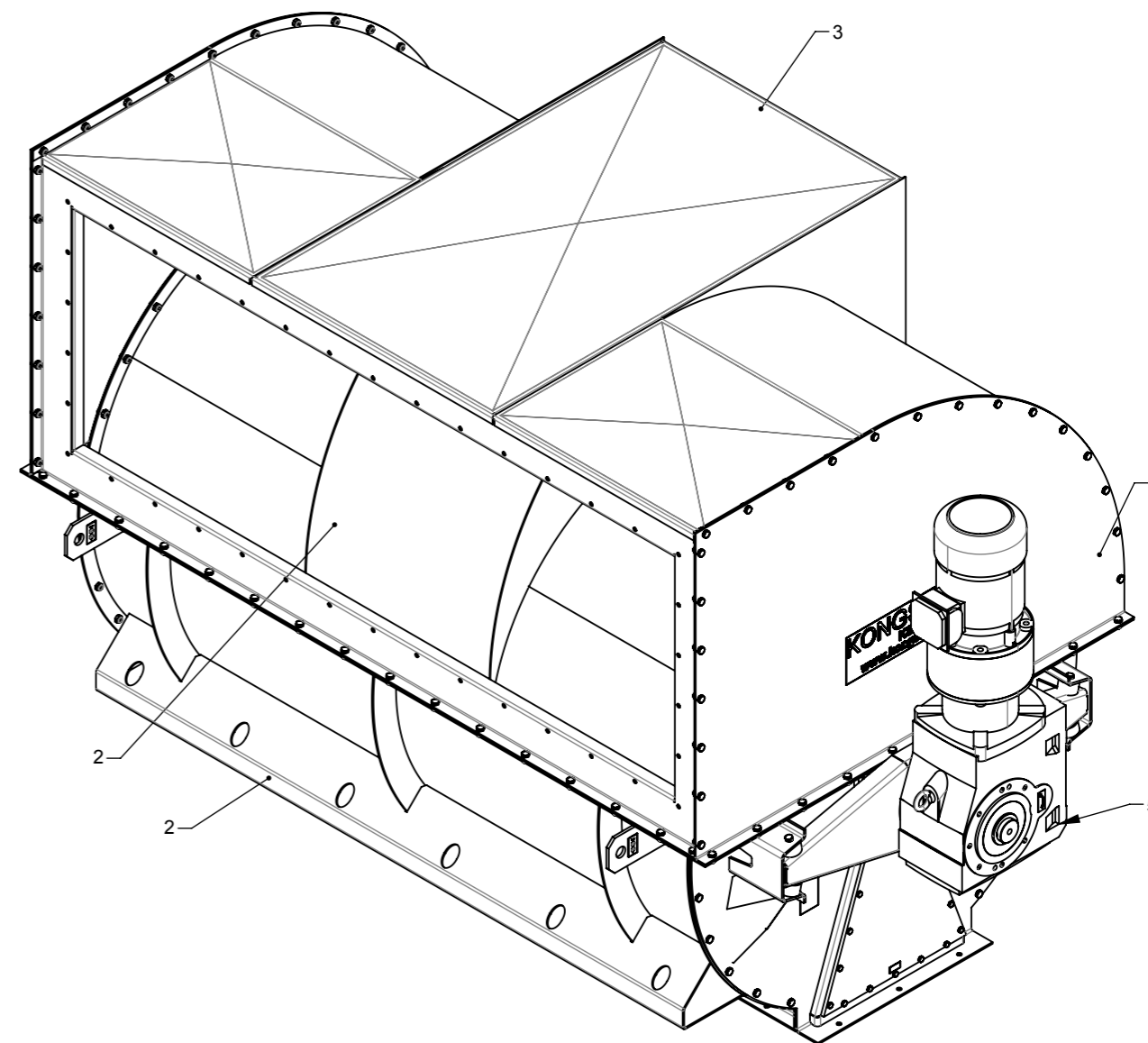
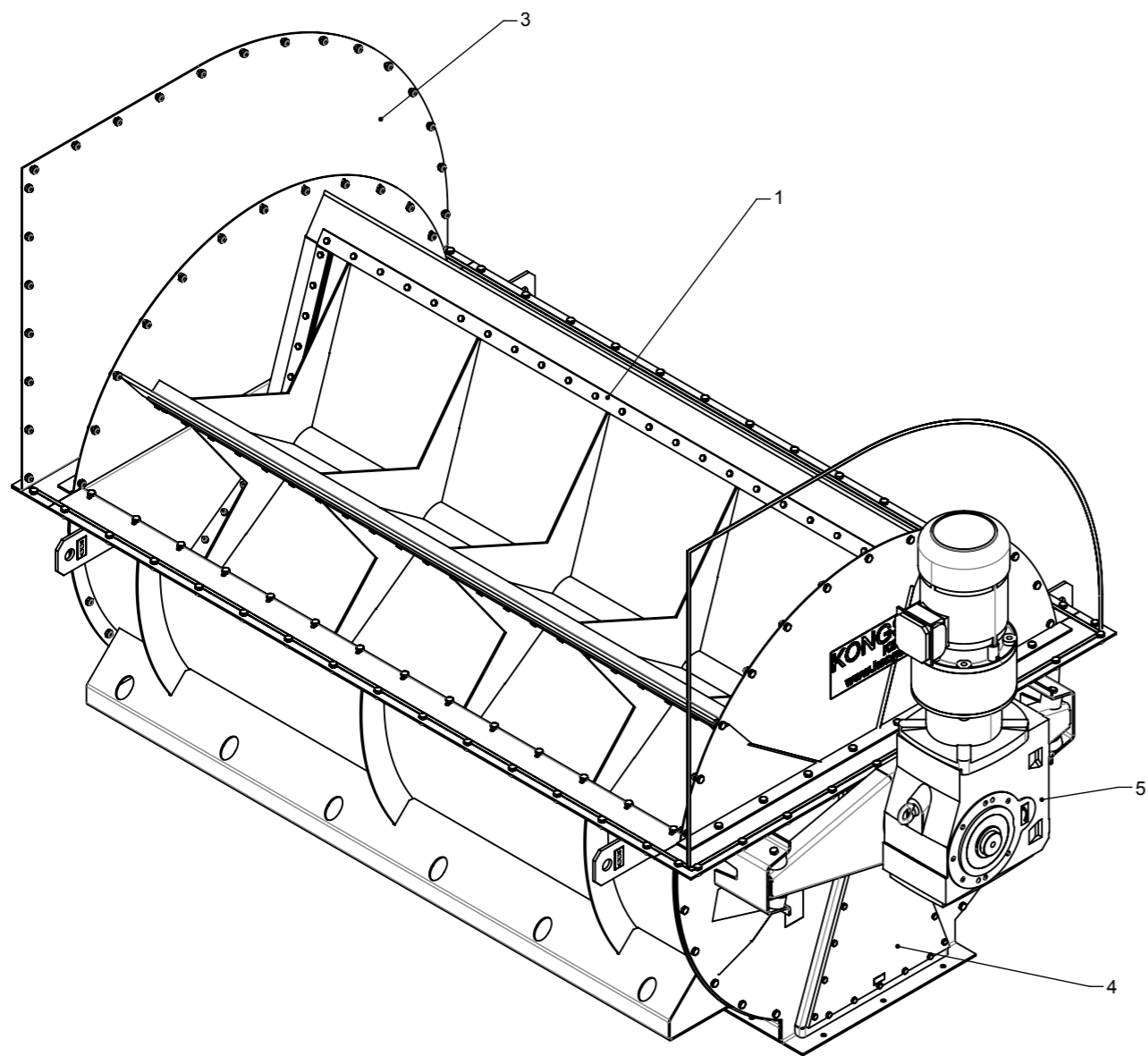


# KS 40

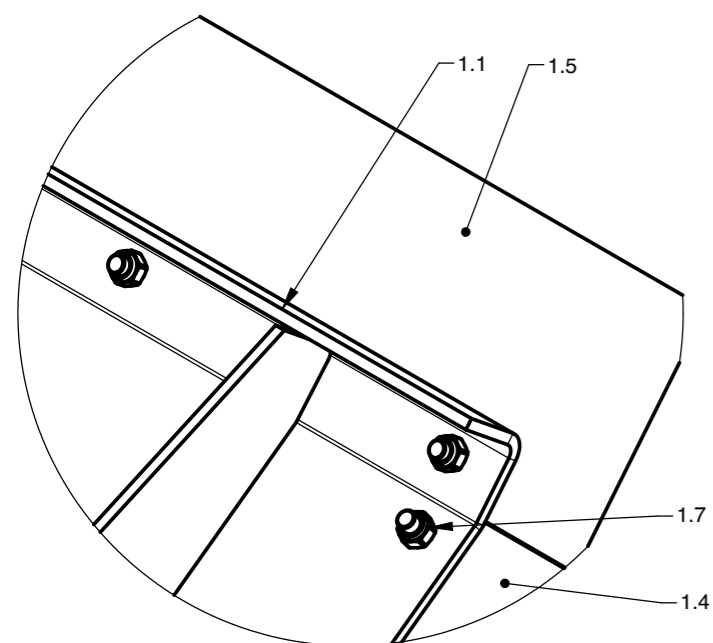
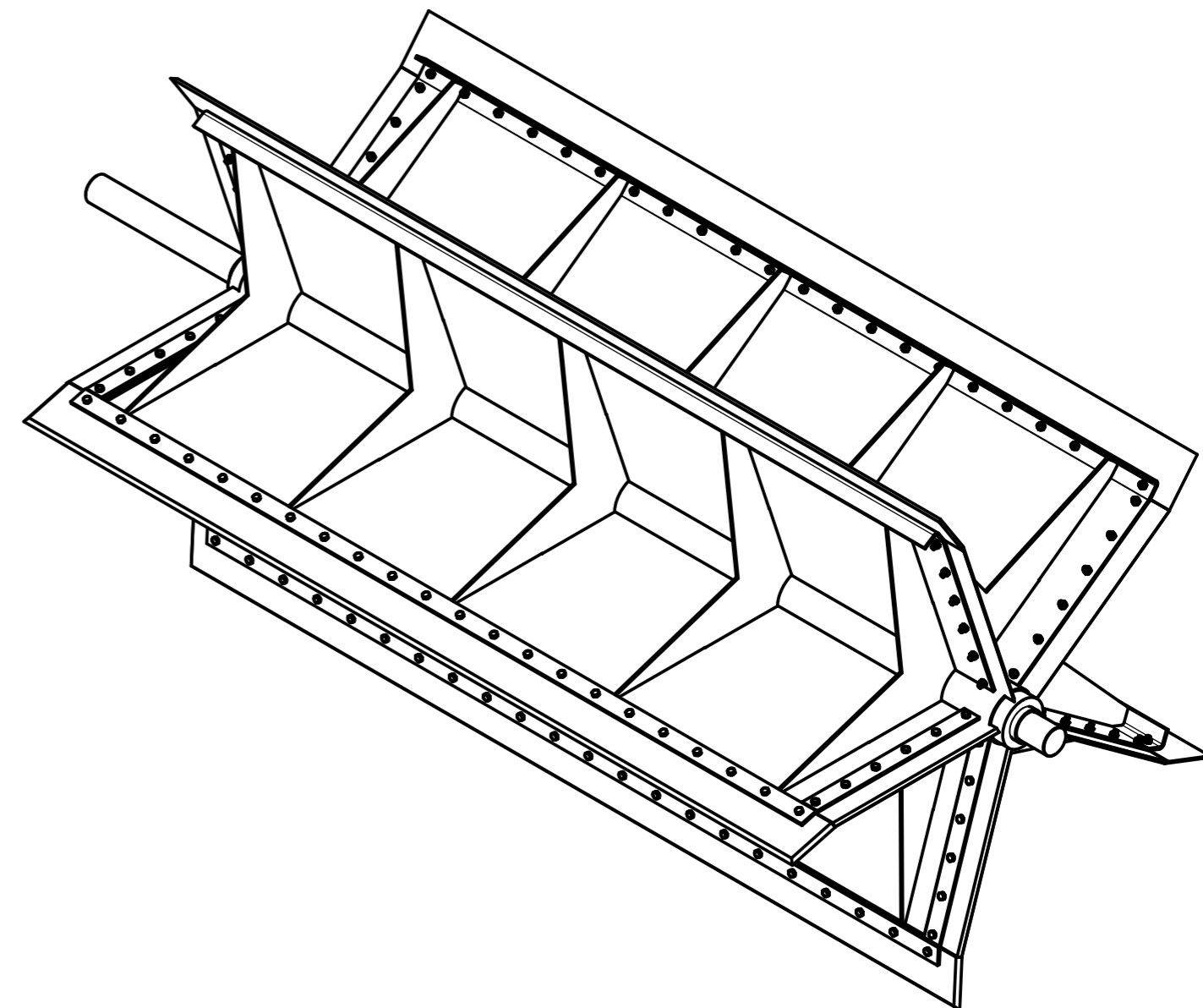
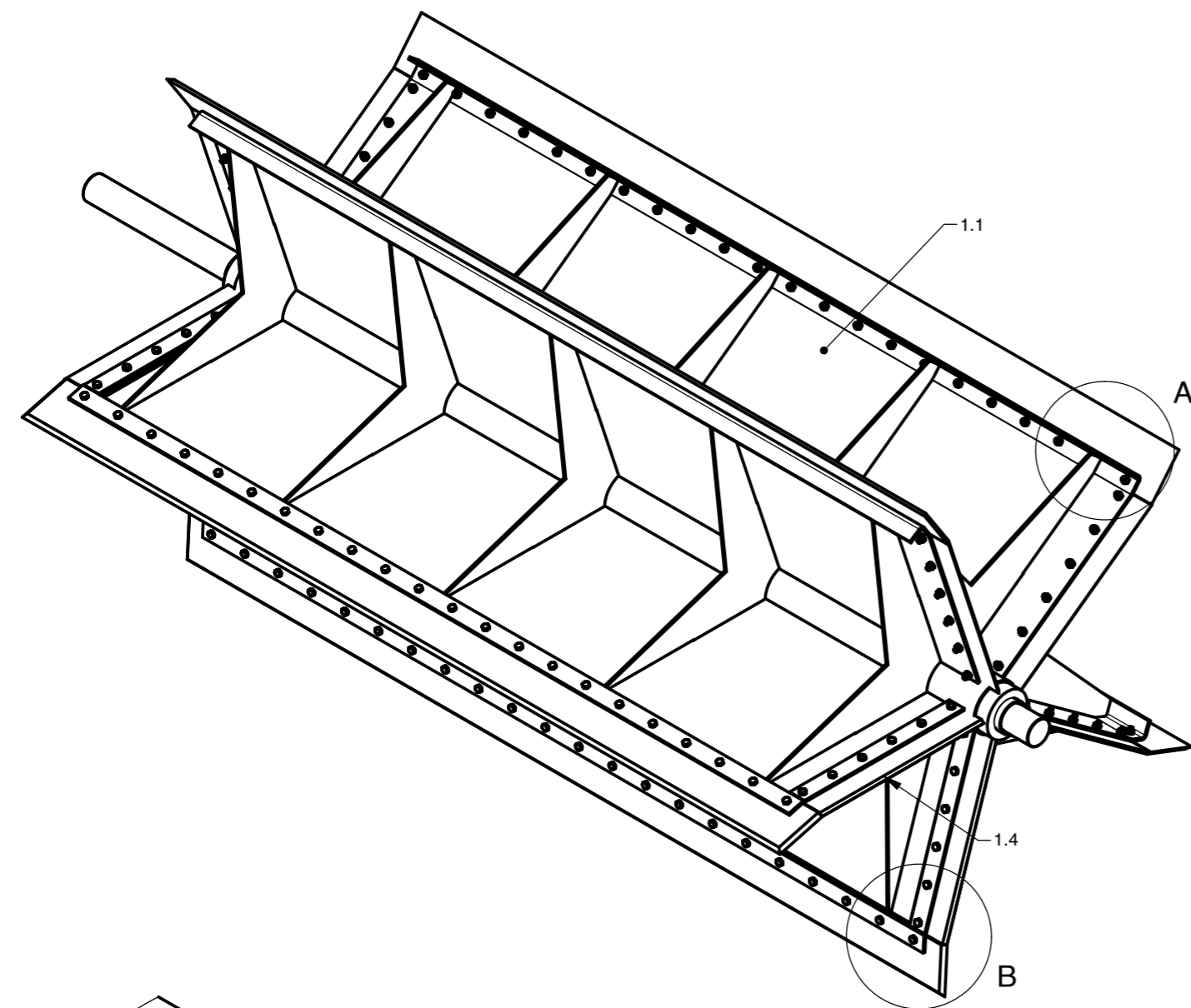
Separator - with  $\text{Ø}3$  sieve



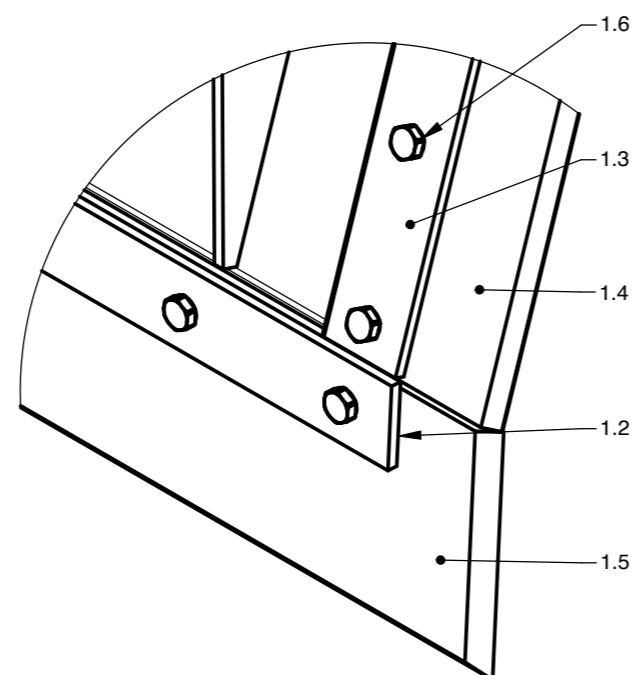
Spare parts list



Pos.	Pieces	Part no.	Notes
1	1	121109294-04-05	ROTOR
2	1	121109294-06-07	ROTOR HOUSE
3	1	121109294-08-09	TOP HOUSE
4	1	121109294-10-11	VARIOUS PART
5	1	121109294-12-13	MOTOR

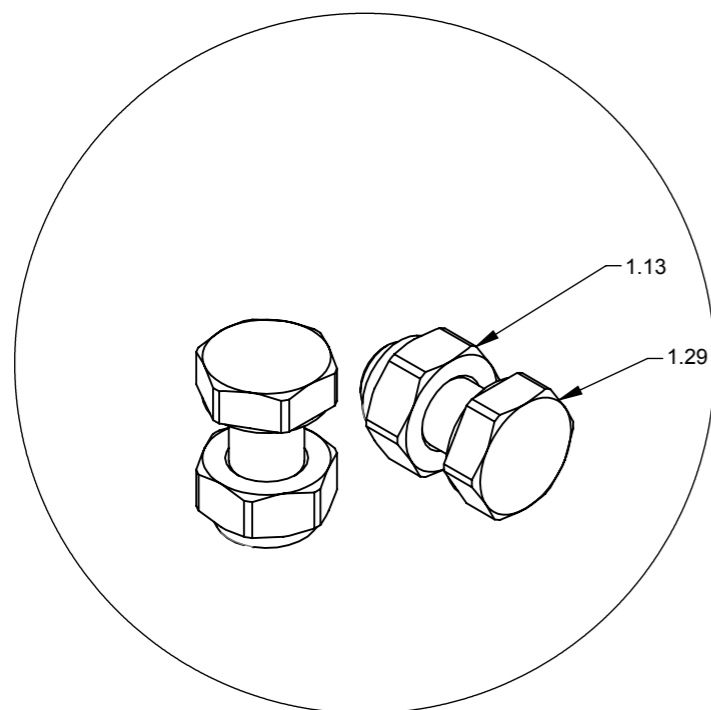
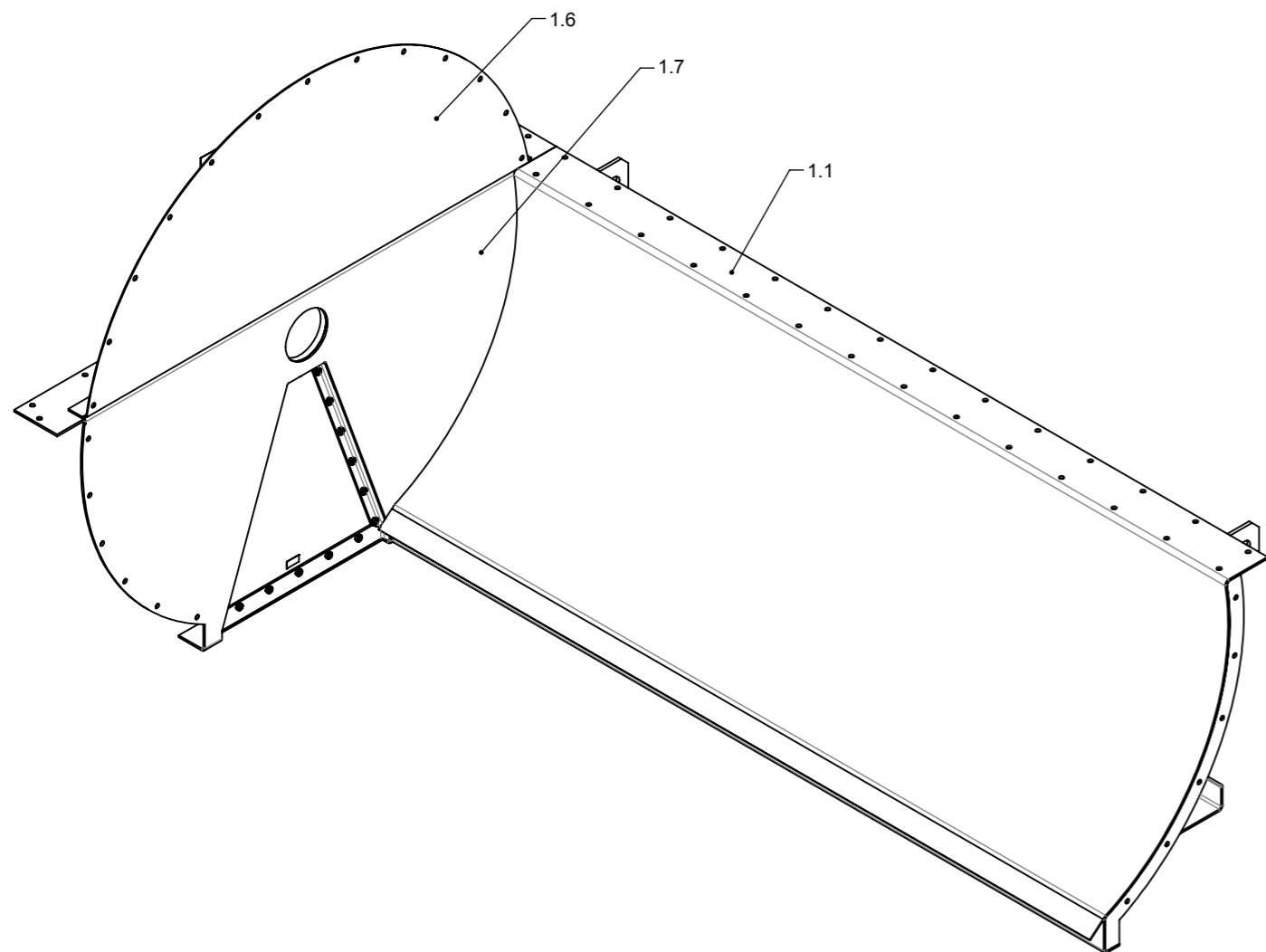


DETAIL A (1 : 3)

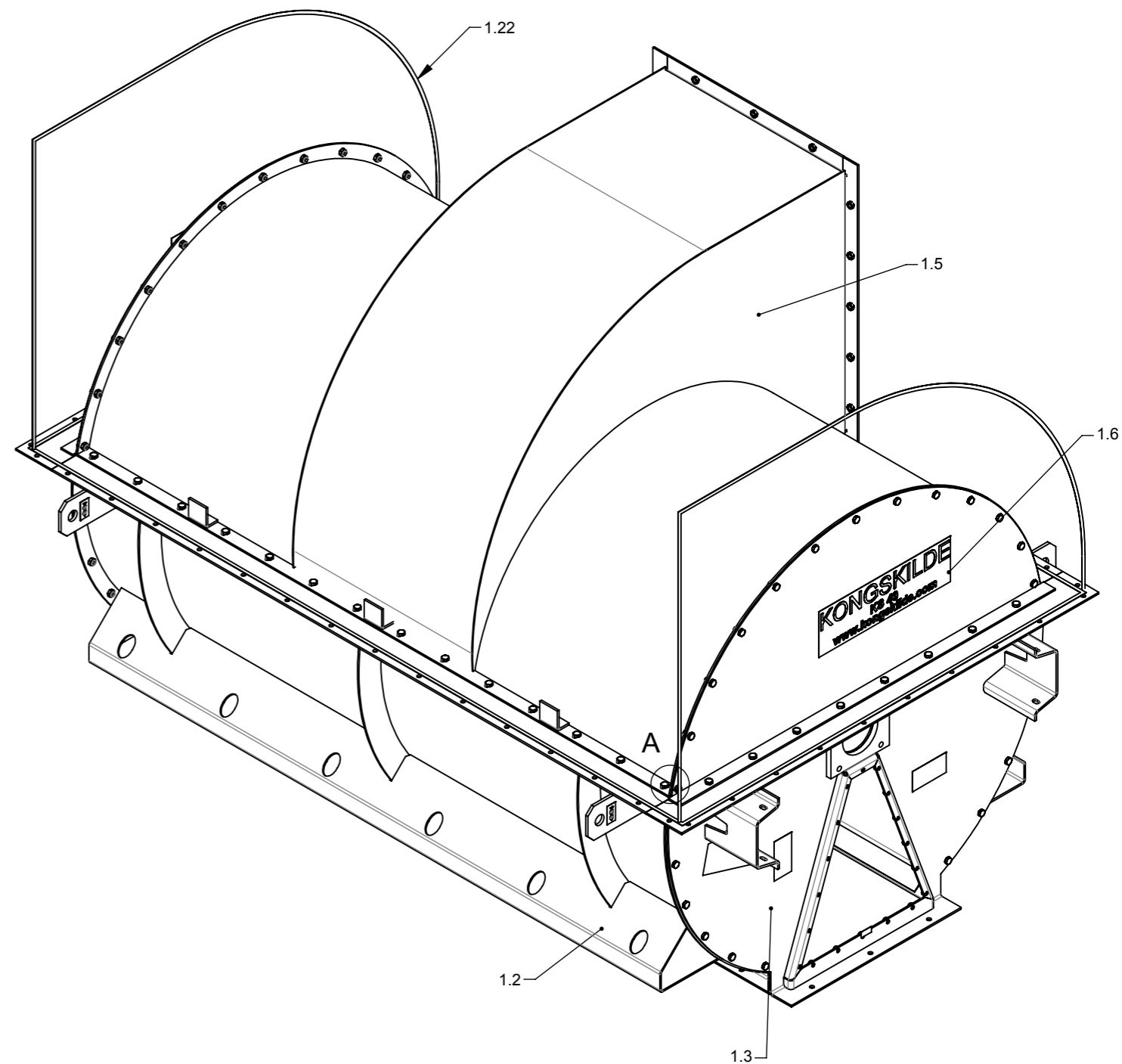


DETAIL B (1 : 3)

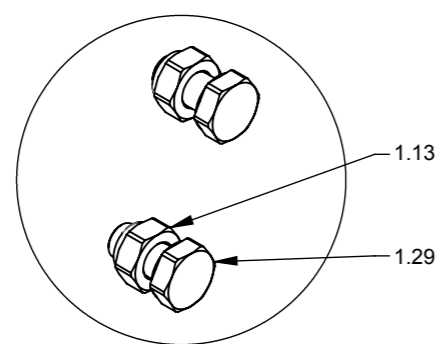
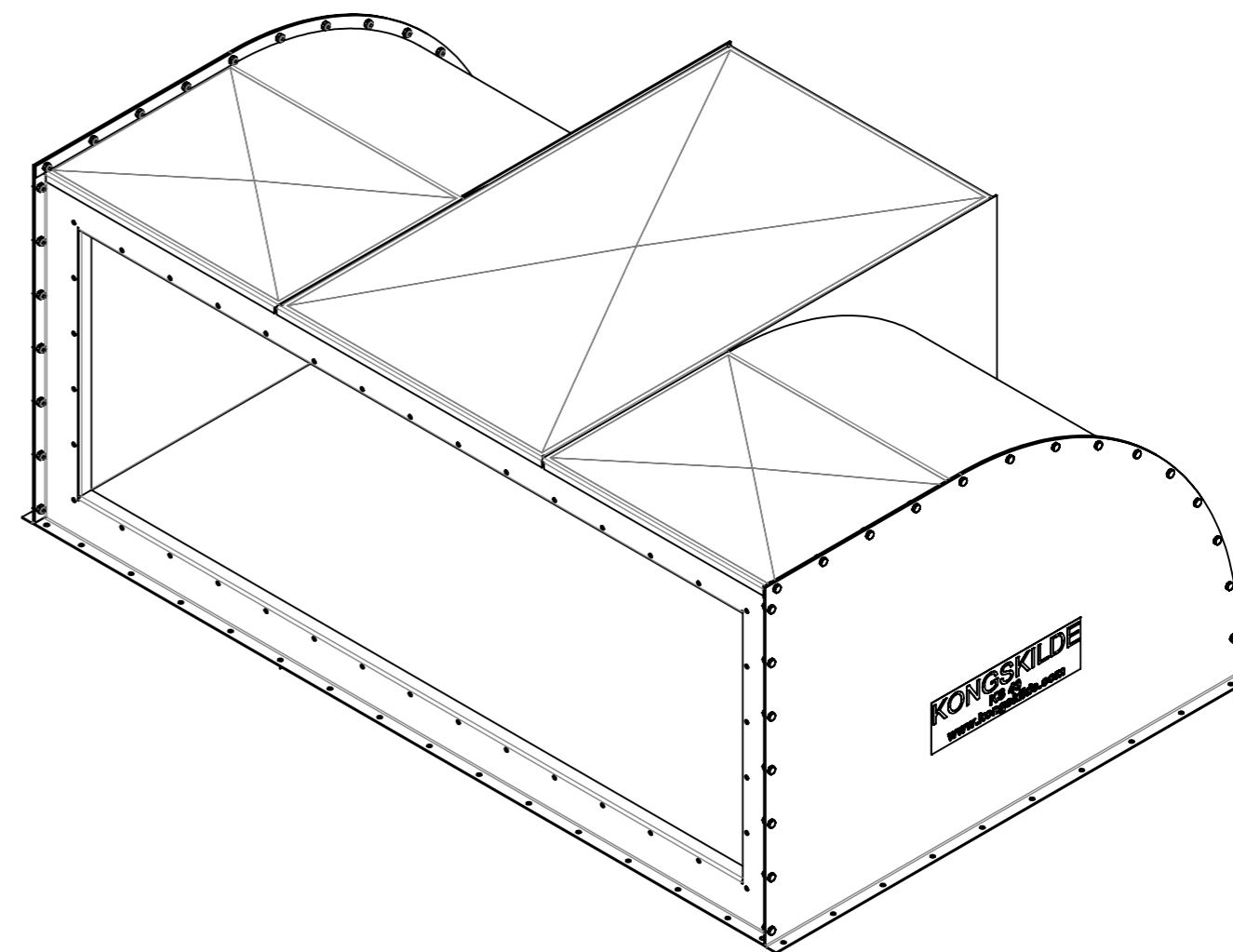
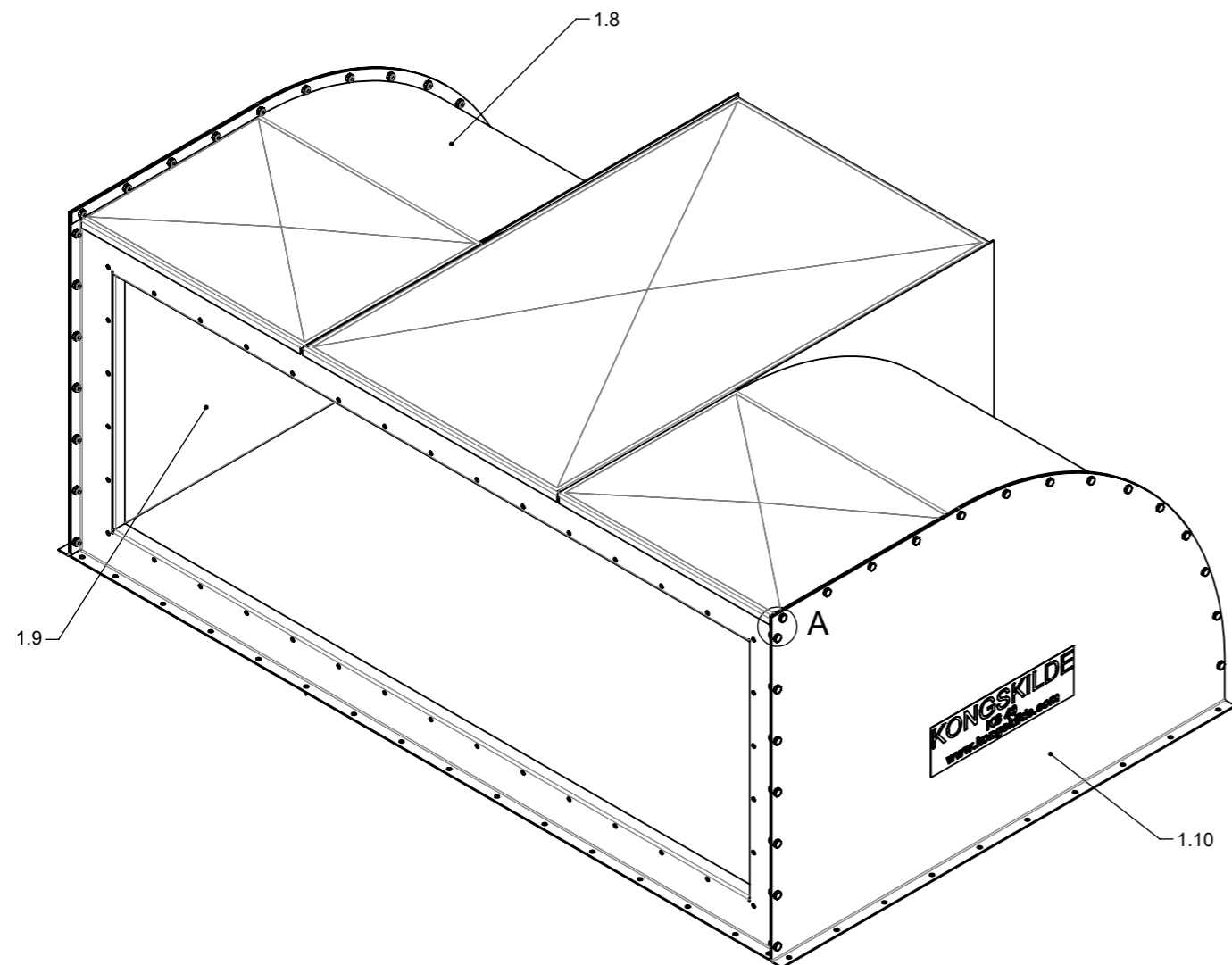
Pos.	Pieces	Part no.	Notes
1.1	1	121109227	ROTOR WELDED
1.2	5	121109224	BRACKET FOR LONG RUBBER SEAL
1.3	10	121109225	BRACKET FOR SHORT RUBBER SEAL
1.4	10	121109320	SHORT RUBBER SEAL
1.5	5	121109319	LONG RUBBER SEAL
1.6	170	100306017	M8x30 DIN 933
1.7	170	100316003	M8 DIN 985-6



DETAIL A (1 : 1)



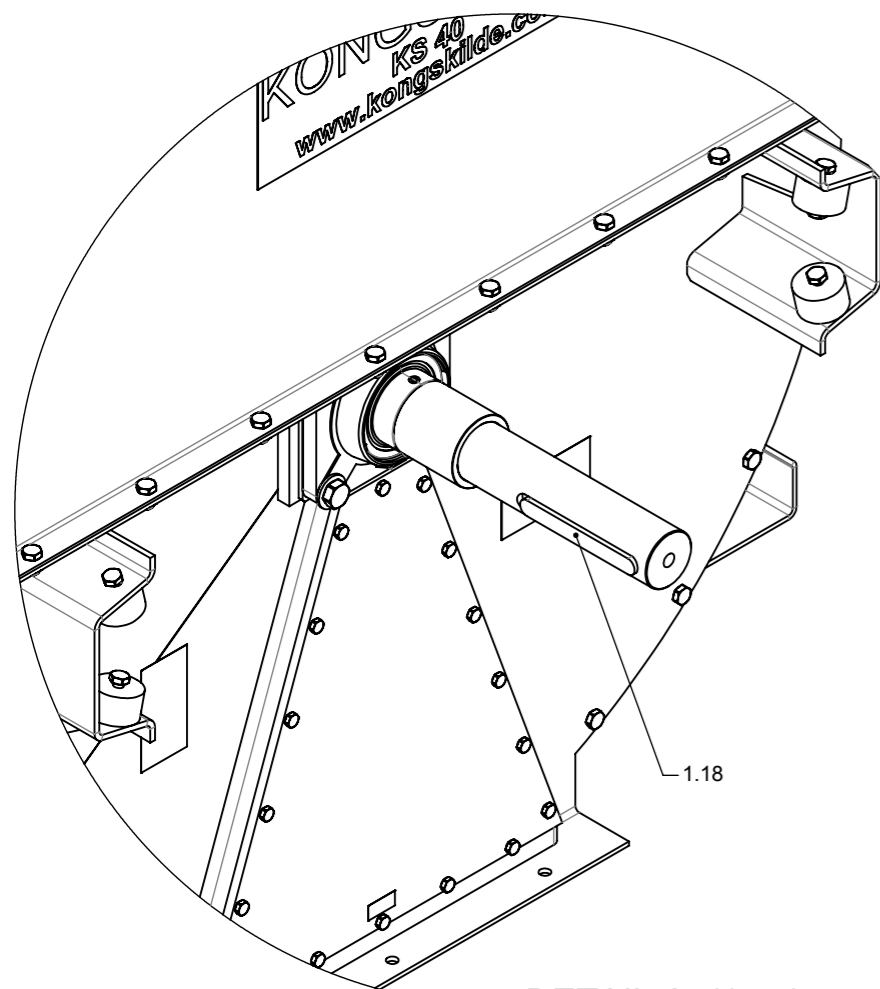
Pos.	Pieces	Part no.	Notes
1.1	1	121109235	COMPLETE SKIRT WITH LIP
1.2	1	121109238	SKIRT
1.3	1	121109242	SIDECAP GEARSIDE
1.5	1	121109248	PERFORATED UPPER SKIRT
1.6	2	121109251	PERFORATED END PLATE
1.7	1	121109257	END CAP
1.13	188	100316004	M10 DIN 985-6
1.22	1	121109321	Ordre 19,5m of 100203030
1.29	188	100308004	M10x20 DIN 933



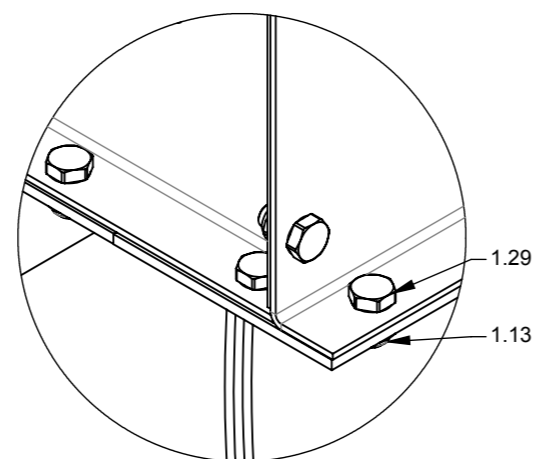
DETAIL A (1 : 2)

Pos.	Pieces	Part no.	Notes
1.8	1	121109264	COMPLETE TOP
1.9	1	121109265	
1.10	1	121109266	
1.13	188	100316004	M10 DIN 985-6
1.29	188	100308004	M10x20 DIN 933

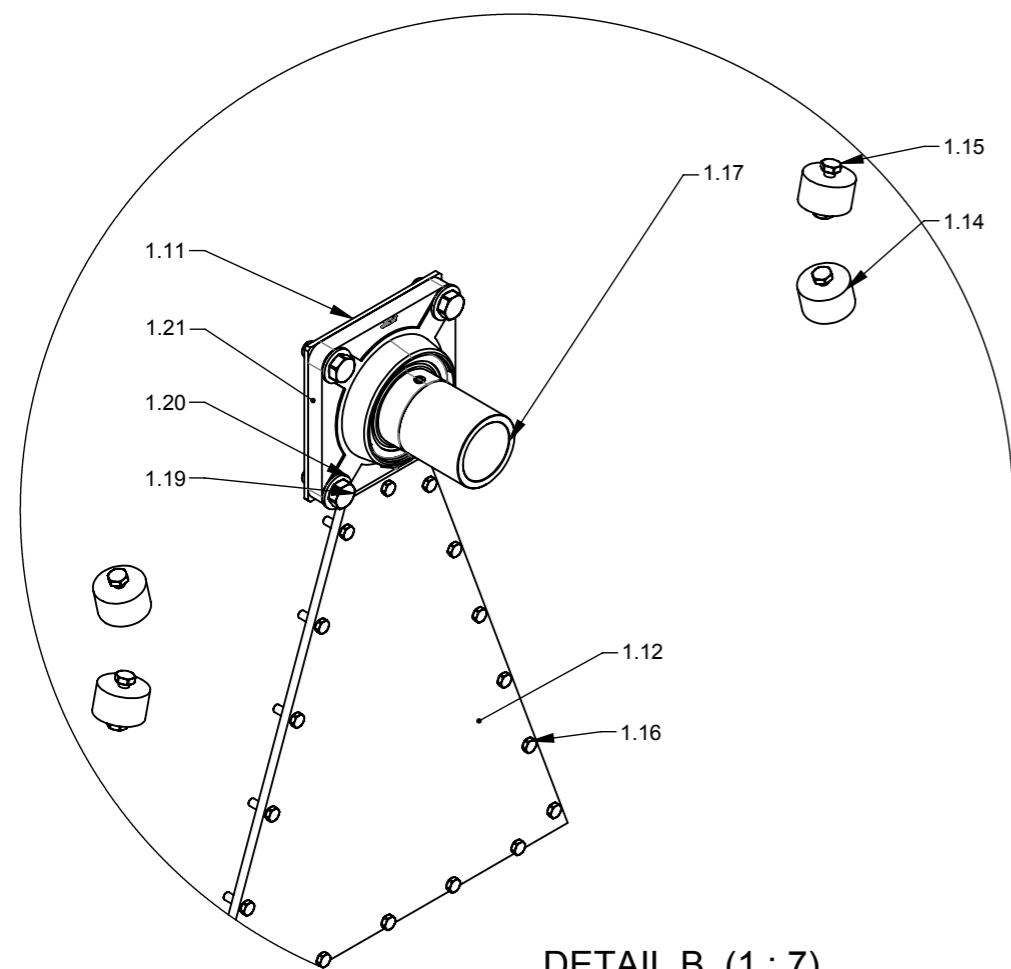




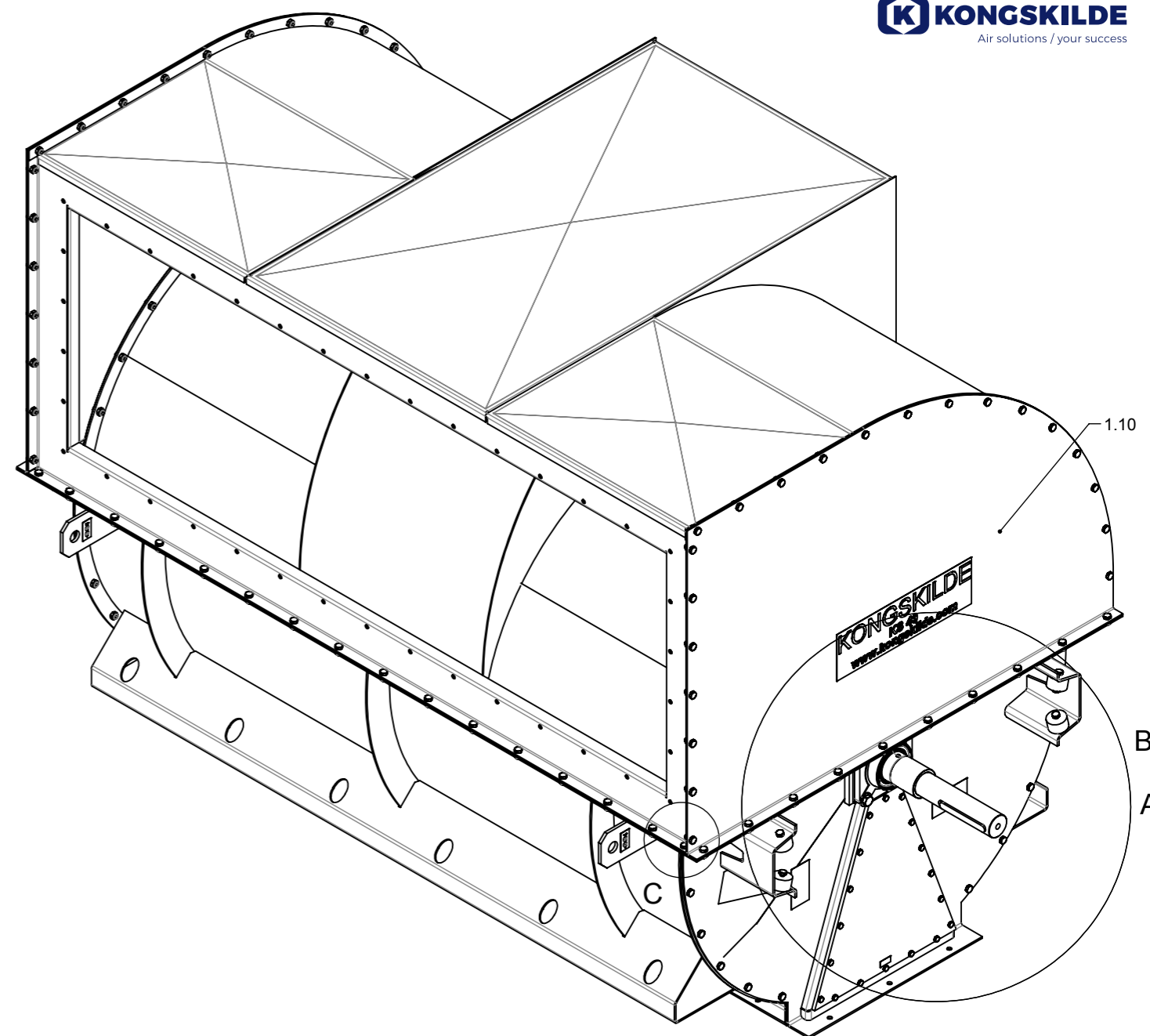
DETAIL A (1 : 7)



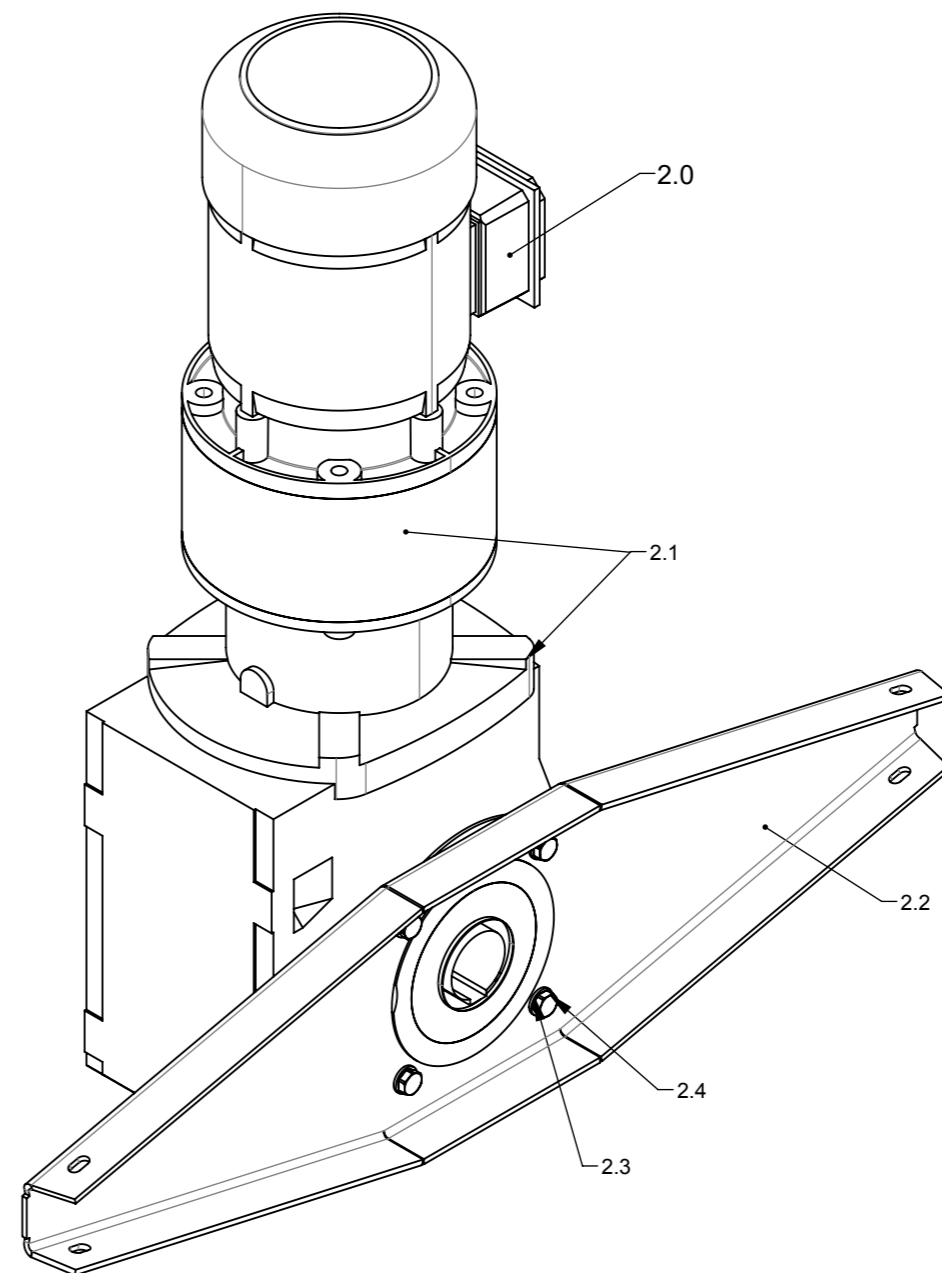
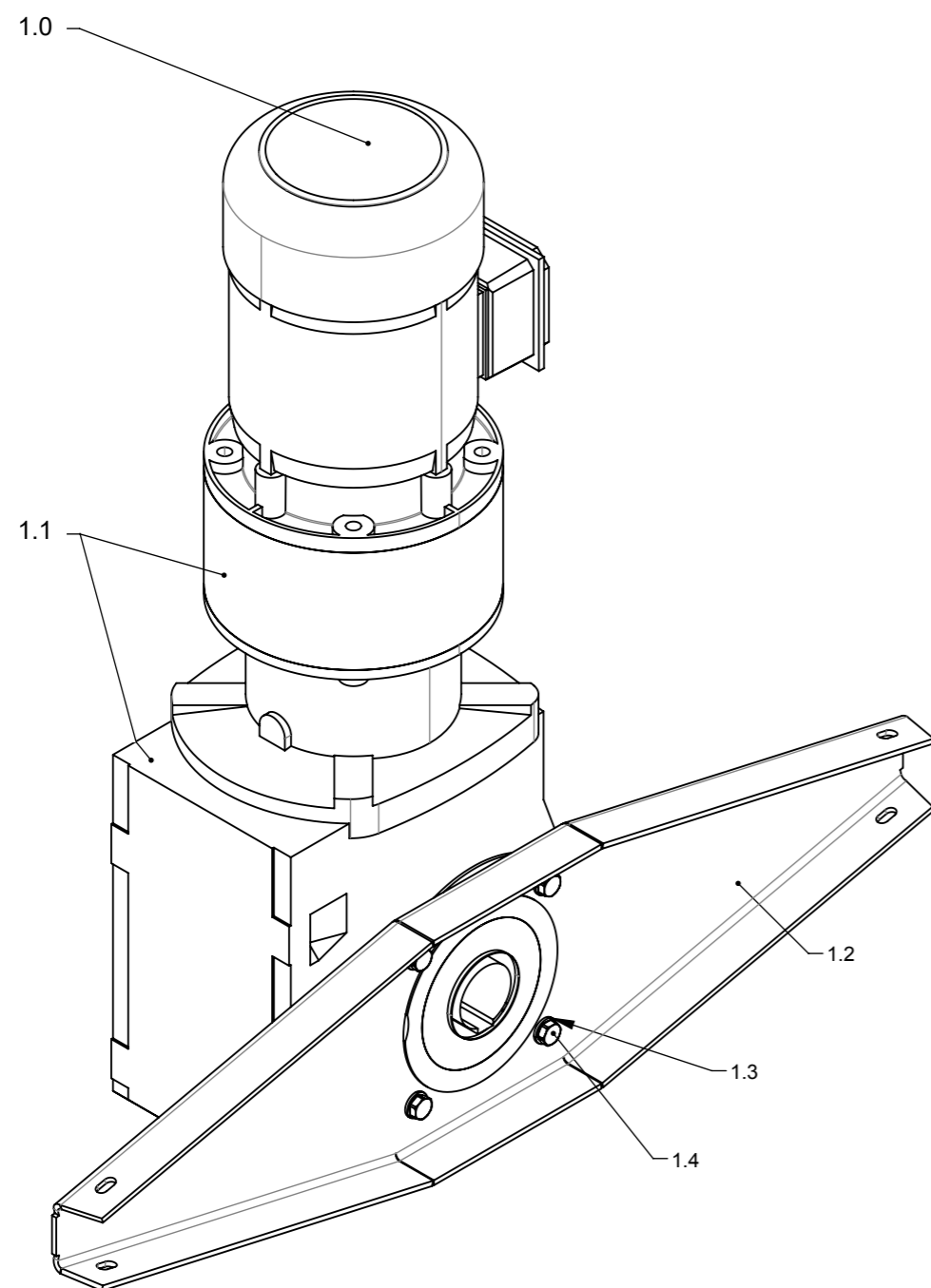
DETAIL C (1 : 3)



DETAIL B (1 : 7)



Pos.	Pieces	Part no.	Notes
1.11	2	121109267	
1.12	2	121109269	
1.13	188	100316004	M10 DIN 985-6
1.14	4	100323369	
1.15	8	100308036	M10x16 DIN 933
1.16	36	100308002	M8x25 DIN 933
1.17	1	121109293	BUSHING FOR GEAR
1.18	1	100405037	KEY A8x7x16 DIN 6885
1.19	8	100306055	M16x40 DIN 933
1.20	8	100331012	Washer 5/8"
1.21	2	100401094	Flanged bearing FYJ 60 TF
1.29	188	100308004	M10x20 DIN 933



Pos.	Pieces	Part no.	Notes
1.0	1	100501362	AC Motor 112M-4p B5 4kW 3x400/690V 50Hz
1.1	1	100505254	Bevel gear SK9042.1AZ IEC112 B5 I=76 with Ruflex Rotex 38 clutch
1.2	1	121109291	BRACKET FOR GEAR
1.3	4	100331007	Washer M12 DIN 125 A
1.4	4	100306044	Set screw M12x40 DIN 933
1.5	1	100511239	Speed switch IFM 0001
2.0	1	100501363	AC Motor 184TC-4p 3,7kW 3x230/460V 60Hz
2.1	1	100501255	Bevel gear SK9042.1AZ 184TC / 112MP I=86 with Ruflex Rotex 38 clutch
2.2	1	121109291	BRACKET FOR GEAR
2.3	4	100331007	Washer M12 DIN 125 A
2.4	4	100306044	Set screw M12x40 DIN 933





**Kongskilde Industries A/S**

Skælskørvej 64

DK - 4180 Sorø

Tel. +45 72 17 60 00

[mail@kongskilde-industries.com](mailto:mail@kongskilde-industries.com)

[www.kongskilde-industries.com](http://www.kongskilde-industries.com)