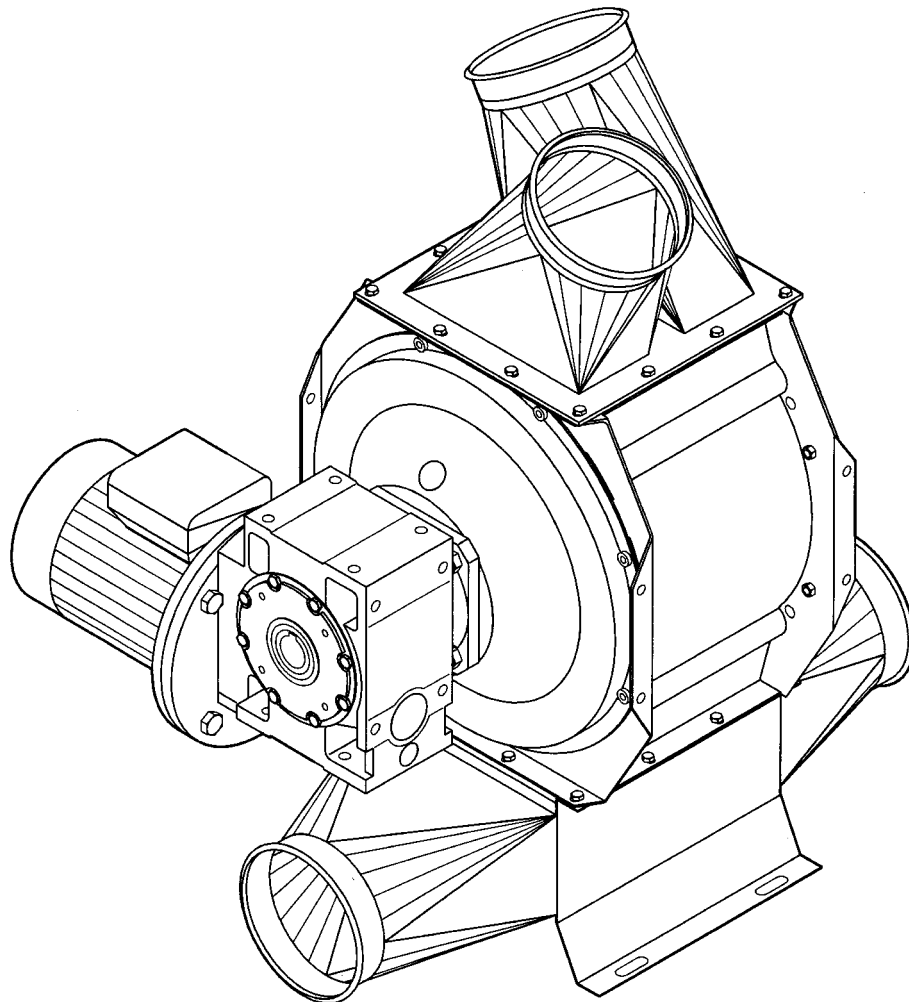


RVS 75-II

Separator



Spare parts list

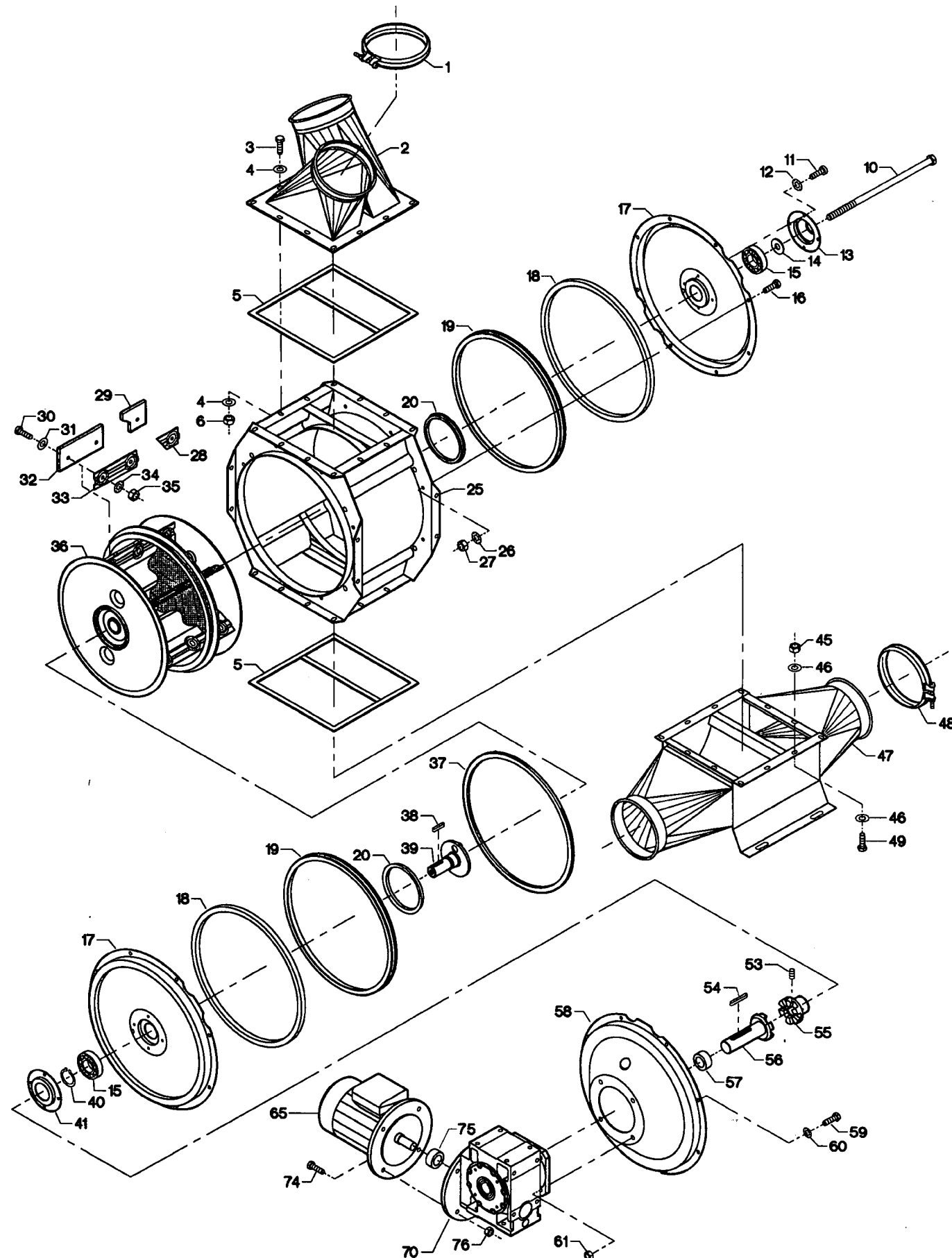


Fig.	Part no.	Pieces	Notes
1	122 001 078	2	Bolt clamp OK160, for spec. safety joint
2	121 109 016	1	
3	100 306 014	12	Steel set screw M8 x 15 mm
4	100 331 005	24	Flat washer M8
5	100 202 011	-	7 x 8 mm. Order 2.2 m
6	100 315 012	12	Nut M8
10	100 302 054	1	Bolt M16 x 320 mm
11	100 321 013	8	Torx screw M6 x 10 mm
12	100 332 002	8	Star washer M6
13	121 109 090	1	
14	121 108 135	1	Ball bearing # 6207-2RS1
15	100 401 003	2	Screw M8 x 20 mm
16	100 306 015	16	
17	121 109 088	2	
18	121 100 349	2	
19	121 100 368	2	
20	100 413 069	2	
25	121 109 002	1	Star washer M8
26	100 332 003	16	Nut M8
27	100 315 012	16	
28	121 109 012	6	
29	121 109 010	6	
30	100 308 002	18	Set screw M8 x 25 mm
31	100 331 005	18	Flat washer M8
32	121 109 009	6	
33	121 109 011	6	Star washer M8
34	100 332 003	18	Nut M8
35	100 315 012	18	
36	121 109 061	1	
Cpl	121 109 060	1	Complete incl. items 28 - 36
37	121 109 067	1	
Cpl	121 109 107	1	Complete incl. items 15 + 18 - 20 + 37
38	100 405 015	1	Key 8 x 7 x 36 mm
39	121 108 224	1	
40	100 407 009	1	Circlip ø35 x 1.5 mm
41	121 109 089	1	
Cpl	121 109 066	1	Complete incl. items 10 - 41 + 58
45	100 315 012	12	Nut M8
46	100 331 005	24	Flat washer M8
47	121 109 068	1	
48	122 001 078	2	Bolt clamp OK160, for spec. safety joint
49	100 306 014	12	Steel set screw M8 x 15 mm
53	100 322 010	1	Stop screw M6 x 8 mm
54	100 405 035	1	Key 10 x 8 x 70 mm
55	121 108 275	1	
56	121 108 277	1	
57	121 109 091	1	Bushing Ø32.5 x Ø44.5 x 17 mm for gears STM RMI85 IEC 90/B5
58	121 109 092	1	Bushing Ø32.5 x Ø44.5 x 21 mm for gears STM RMI85 IEC 100/B5
59	121 108 278	1	
60	100 332 021	4	Star washer M12
Cpl	121 109 080	1	Complete incl. items 1 - 60
61	100 316 005	4	Lock nut M12
65	100 505 011	1	Motor 90 - B5, 1.1 kW-400V-50Hz-1400 rpm.
65	100 505 012	1	Motor 90 - B5, 1.5 kW-400V-50Hz-1400 rpm.
	100 501 189	1	Motor 90 - B5, 2.2 kW-400V-50Hz-1400 rpm.
	100 551 098	1	Motor D90LD - B5, 2.0 HP-460V-60Hz-1725 rpm.
	100 551 097	1	Motor D90LD - B5, 2.0 HP-575V-60Hz-1725 rpm.
	100 551 139	1	Motor D100LD - B5, 3.0 HP-460V-60Hz-1725 rpm.
	100 551 153	1	Motor D100LD - B5, 3.0 HP-575V-60Hz-1725 rpm.
70	100 505 072	1	Gear SK1 SI63F-IEC90/B5, l=40
	100 505 078	1	Gear SK1 SI63F-IEC90/B5, l=25
	100 505 075	1	Gear SK1 SI63F-IEC90/B5, l=20
	100 505 073	1	Gear SK1 SI63F-IEC90/B5, l=32
74	100 306 031	4	Steel bolt M10 x 35 mm (For motor type 90)
75	100 306 044	4	Bolt M12 x 40 mm (For motor type 100)
76	100 505 172	1	Coupling for IEC90 B5
	100 316 004	4	Lock nut M10 (For motor type 90)
	100 316 005	4	Lock nut M12 (For motor type 100)

Kongskilde Industries A/S

Skælskørvej 64

DK - 4180 Sorø

Tel. +45 72 17 60 00

mail@kongskilde-industries.com

www.kongskilde-industries.com