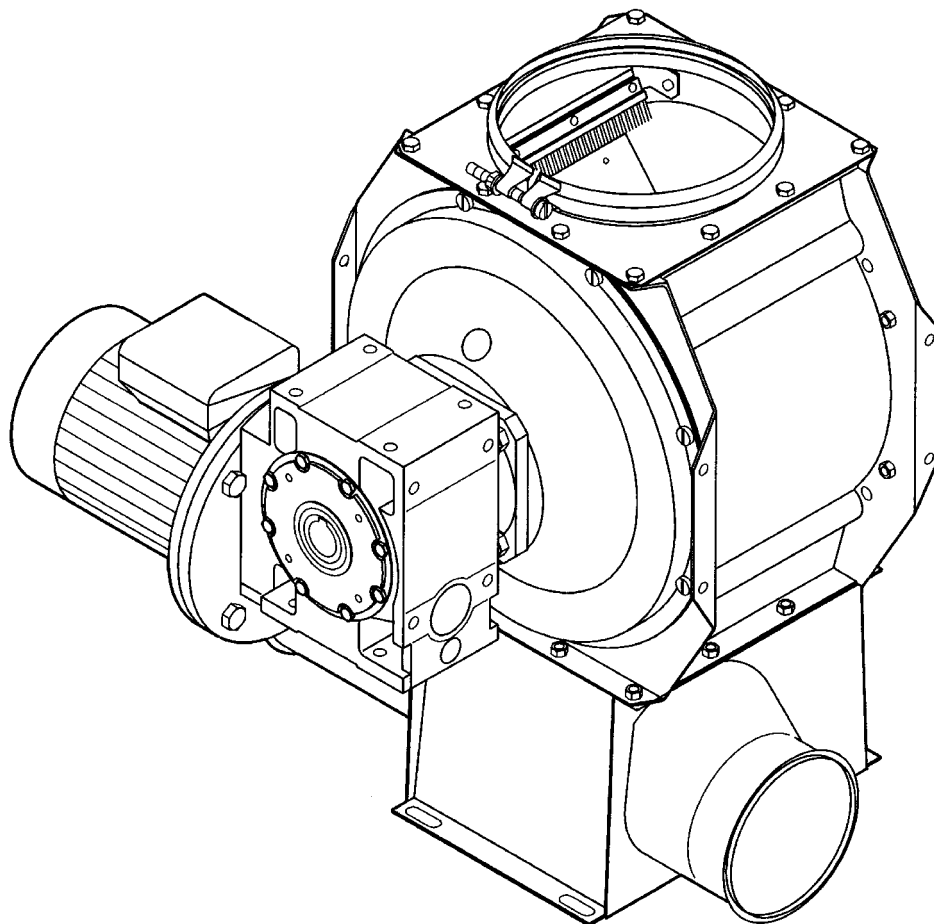


RV 40

Rotary Valve



Spare parts list

RV 40

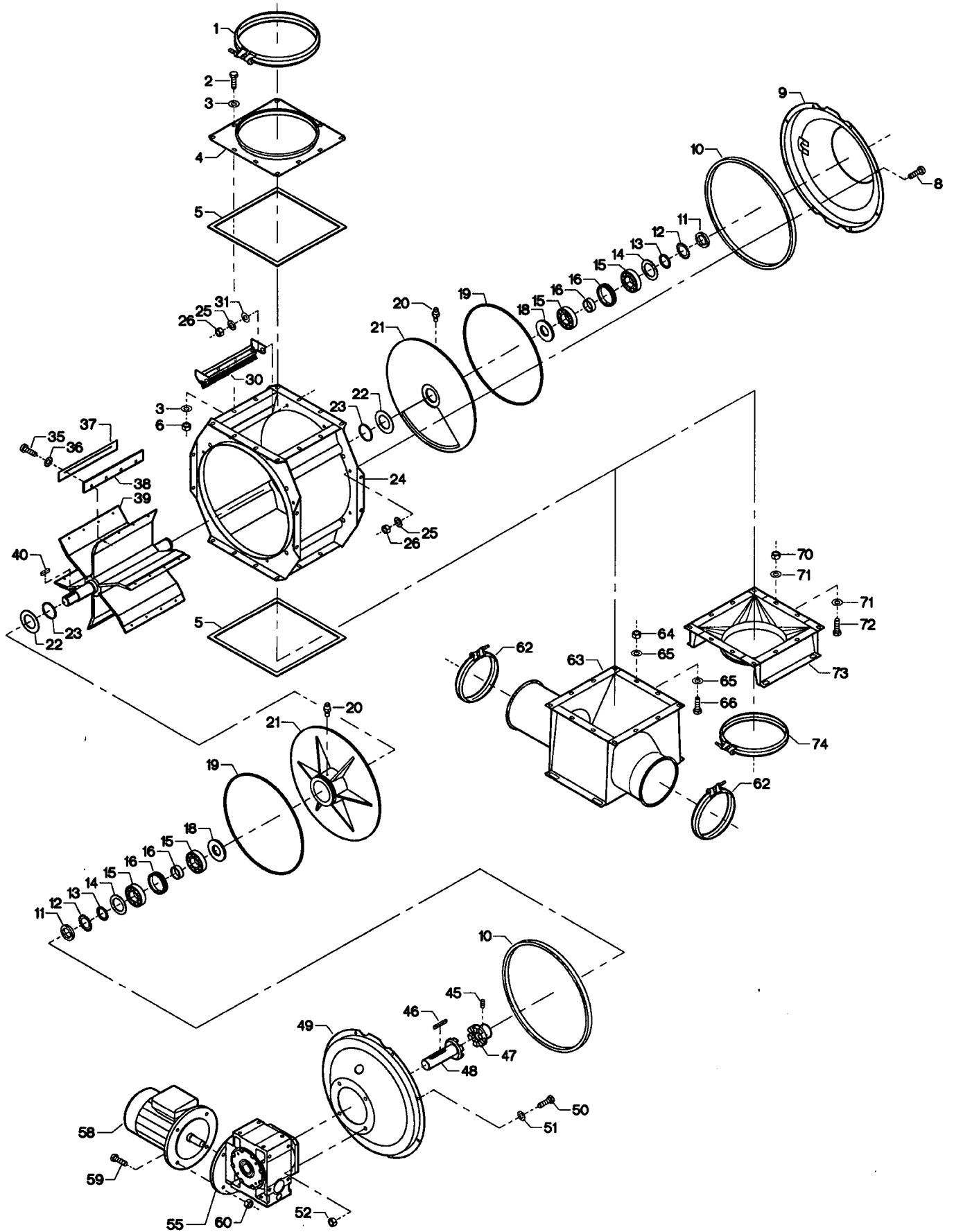


Fig.	Part no.	Pieces	Notes
1	122 000 701	1	Bolt clamp OK250
2	100 306 014	12	Set screw M8 x 16 mm
3	100 331 005	24	Flat washer M8
4	121 108 235	1	
5	100 202 011	-	7 x 8 mm. Order 2,2 m
6	100 315 012	12	Nut M8
8	100 309 015	16	Set screw M8 x 20 mm
9	121 108 230	1	
10	100 202 046	-	10 x 12 mm. Order 2,5 m
11	100 323 315	2	Nut M35 x 1,5 mm KM7
12	100 407 046	2	Lock washer MB7
13	100 331 080	2	A35
14	100 413 146	2	7207 AVH
15	100 401 078	4	Ball bearing 7207 BECB
16	121 108 327	2	
18	100 413 150	2	Nilosring 35/72
19	100 413 144	2	O-ring ø350 x ø4 mm
20	100 421 000	2	Grease nipple M6
21	121 108 166	2	
22	100 402 025	2	Frimet FA 52
23	100 413 148	2	O-ring ø58 x ø3 mm
24	121 108 232	1	
25	100 332 003	16	Star washer M8
26	100 315 012	16	Nut M8
30	121 108 282	1	
31	100 331 005	2	Flat washer M8
35	100 321 010	24	Torx screw M5 x 12 mm
36	100 332 001	24	Star washer M5
37	121 108 164	6	
38	121 108 207	6	
39	121 108 197	1	
Cpl	121 108 159	1	Complete incl. items 35 - 39
40	100 405 000	1	Key 8 x 7 x 35 mm
Cpl	121 108 158	1	Complete incl. items 2 - 40 + 49 - 52
45	100 322 010	1	Stop screw M6 x 8 mm
46	100 405 035	1	Key 10 x 8 x 70 mm
47	121 108 275	1	
48	121 108 277	1	
49	121 108 278	1	
50	100 332 021	4	Star washer M12
51	100 306 044	4	Steel set screw M12 x 40 mm
Cpl	121 108 160	1	Complete incl. items 1 - 51 + 59 - 60
52	100 316 005	4	Lock nut M12
55	100 505 072	1	Gear SK1 SI63F-IEC90/B5, I=40
	100 505 078	1	Gear SK1 SI63F-IEC90/B5, I=25
58	100 505 075	1	Gear SK1 SI63F-IEC90/B5, I=20
	100 505 073	1	Gear SK1 SI63F-IEC90/B5, I=32
	100 505 011	1	Motor 90 - B5, 1.1 kW-400V-50Hz-1400 rpm.
	100 505 012	1	Motor 90 - B5, 1.5 kW-400V-50Hz-1400 rpm.
	100 501 189	1	Motor 90 - B5, 2.2 kW-400V-50Hz-1400 rpm.
59	100 551 098	1	Motor D90LD - B5, 2.0 HP-460V-60Hz-1725 rpm
60	100 551 097	1	Motor D90LD - B5, 2.0 HP-575V-60Hz-1725 rpm
62	100 306 031	4	Steel bolt M10 x 35 mm (For motor type 90)
	100 316 004	4	Lock nut M10 (For motor type 90)
	122 001 078	2	Bolt clamp OK160, for spec. safety joint
63	121 108 243	1	
64	100 315 012	12	Nut M8
65	100 331 005	24	Flat washer M8
66	100 306 014	12	Set screw M8 x 16 mm
Cpl	121 108 190	1	Complete incl. items 5 + 62 - 66
70	100 315 012	12	Nut M8
71	100 331 005	24	Flat washer M8
72	100 306 014	12	Set screw M8 x 16 mm
73	121 108 240	1	
74	122 050 237	1	Bolt clamp OK200, for spec. safety joint
Cpl	121 108 241	1	Complete incl. items 5 + 70 - 74

Kongskilde Industries A/S

Skælskørvej 64

DK - 4180 Sorø

Tel. +45 72 17 60 00

mail@kongskilde-industries.com

www.kongskilde-industries.com