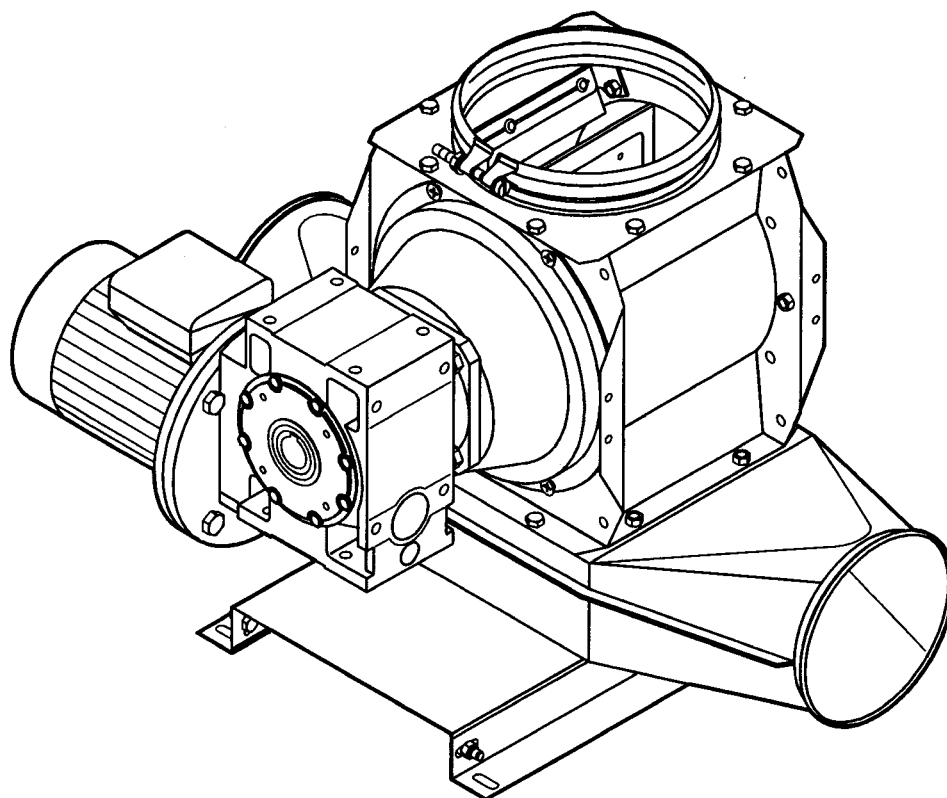


# **RF 20**

## Rotary Valve



Spare parts list

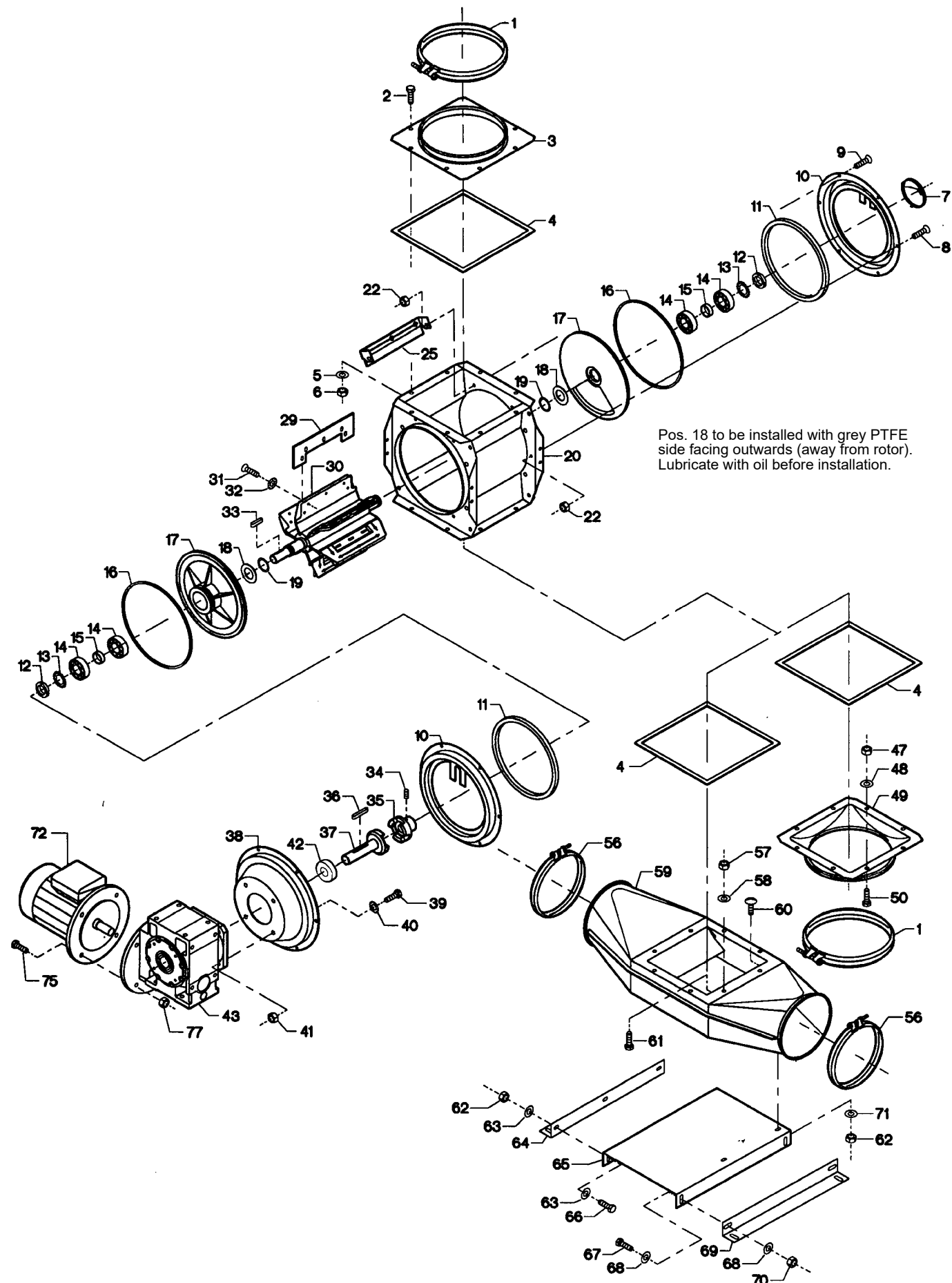


Fig.	Part no.	Pieces	Notes
1	122 050 237	8	Bolt clamp OK200, for spec. safety joint
2	100 306 014	8	Set screw M8 x 15 mm
3	121 100 422	1	
4	100 202 011	-	7 x 8 mm. Order 0.9 m
5	100 331 005	8	Flat washer M8
6	100 315 012	8	Nut M8
7	121 100 324	1	
8	100 321 014	10	Torx screw M6 x 12 mm
9	100 321 015	2	Torx screw M6 x 16 mm
10	121 100 311	2	
11	121 100 269	2	
12	100 323 308	2	Nut M25 x 1.5 mm, KM 5
13	100 407 045	2	Lock washer MB 5
14	100 401 075	4	Ball bearing # 6005 - 2Z
15	121 100 630	2	
16	100 413 142	2	O-ring ø180 x 4 mm
17	121 100 640	2	
18	100 402 024	2	
19	100 413 092	2	O-ring ø39.2 x 3 mm
20	121 100 319	1	
22	100 316 075	12	Nut M6
25	121 100 443	1	
29	121 100 442	6	
30	121 100 439	1	
31	100 321 010	30	Torx screw M5 x 12 mm
32	100 332 001	30	Star washer M5
Cpl	121 100 438	1	Complete incl. items 29 - 32
33	100 405 019	1	Key 6 x 6 x 28 mm
Cpl	121 100 429	1	Complete incl. items 2 - 33 + 38
34	100 322 010	1	Stop screw M6 x 8 mm
35	121 100 378	1	Clutch part Ø20mm for rotor
36	100 405 013	1	Key 8 x 7 x 50 mm
37	121 100 571	1	Clutch part Ø28mm for gear
38	121 100 417	1	
39	100 306 031	4	Steel set screw M10 x 35 mm
40	100 332 020	4	Star washer M10 mm
41	100 316 004	4	Lock nut M10
42	121 100 644	1	
Cpl	121 100 573	1	Complete incl. items 1 - 42
43	100 505 153	1	Gear SK1 SI50F 1=20 IEC 80/B5
47	100 505 155	1	Gear SK1 SI50F 1=30 IEC 80/B5
48	100 505 156	1	Gear SK1 SI50F 1=40 IEC 80/B5
49	100 505 157	1	Gear SK1 SI50F 1=60 IEC 80/B5
50	100 315 012	8	Nut M8
56	100 331 005	8	Flat washer M8
57	100 315 012	8	Nut M8
58	121 100 425	1	Set screw M8 x 15 mm
59	100 306 014	8	Set screw M8 x 16 mm
60	121 100 424	1	Coach bolt M6 x 16 mm
61	122 001 078	2	Bolt clamp OK160, for spec. safety joint
62	100 315 012	8	Nut M8
63	100 331 004	4	Flat washer M6
64	121 100 299	1	
65	121 100 298	1	
66	100 306 001	2	Steel set screw M6 x 20 mm
67	100 306 014	2	Set screw M8 x 16 mm
68	100 331 005	4	Flat washer M8
69	121 100 300	1	
70	100 315 012	2	Nut M8
71	100 331 004	2	Flat washer M6
Cpl	121 100 333	1	Complete incl. 4 + 56 - 71
72	100 505 010	1	Motor 80 - B5, 0.75 kW-400V-50Hz-1400 Rpm
73	100 501 106	1	Motor 80 - B5, 0.55 kW-400V-50Hz-1400 Rpm
74	100 501 105	1	Motor 71 - B5, 0.37 kW-400V-50Hz-1400 Rpm
75	100 551 116	1	Motor D80D - B5, 1 HP-460V-60Hz-1725 Rpm-MVM3546D
76	100 551 117	1	Motor D80D - B5, 1 HP-575V-60Hz-1725 Rpm-MVM3546D5
77	100 551 092	1	Motor D80D - B5, 0.8 HP-460V-60Hz-1725 Rpm-MVM3542D
78	100 551 093	1	Motor D80D - B5, 0.8 HP-575V-60Hz-1725 Rpm-MVM3542D5
79	100 306 017	4	Set screw M8 x 30mm (For motor type 71)
80	100 306 031	4	Set screw M10 x 35mm (For motor type 80)
81	100 316 003	4	Lock nut M8 (For motor type 71)
82	100 316 004	4	Lock nut M10 (For motor type 80)

**Kongskilde Industries A/S**

Skælskørvej 64

DK - 4180 Sorø

Tel. +45 72 17 60 00

[mail@kongskilde-industries.com](mailto:mail@kongskilde-industries.com)

[www.kongskilde-industries.com](http://www.kongskilde-industries.com)