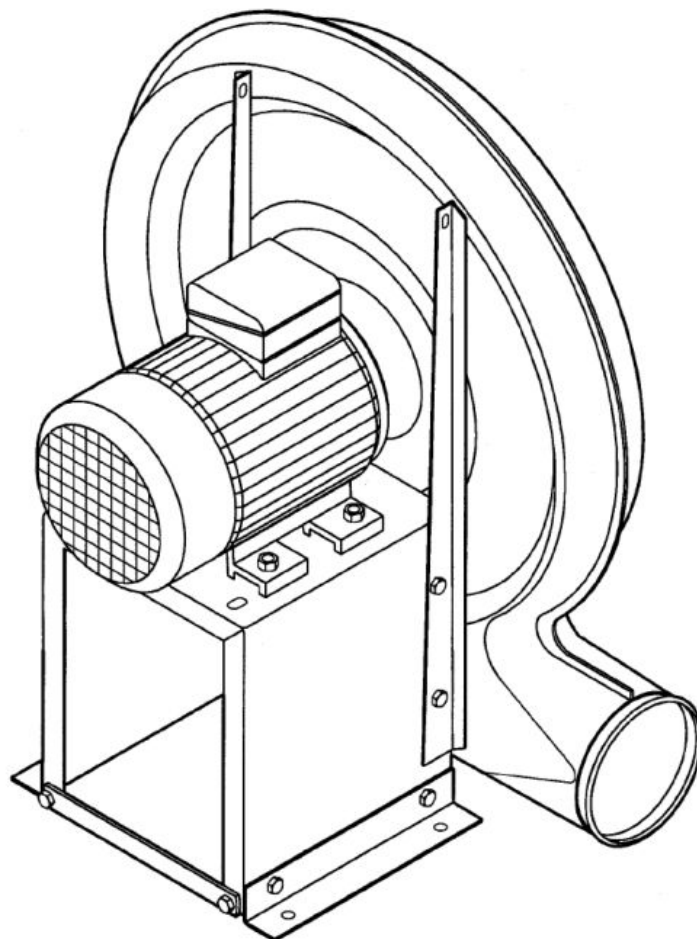


# ***TRL 20/40/55/75 - Industry - 50 Hz***

## High pressure blowers



Spare parts list



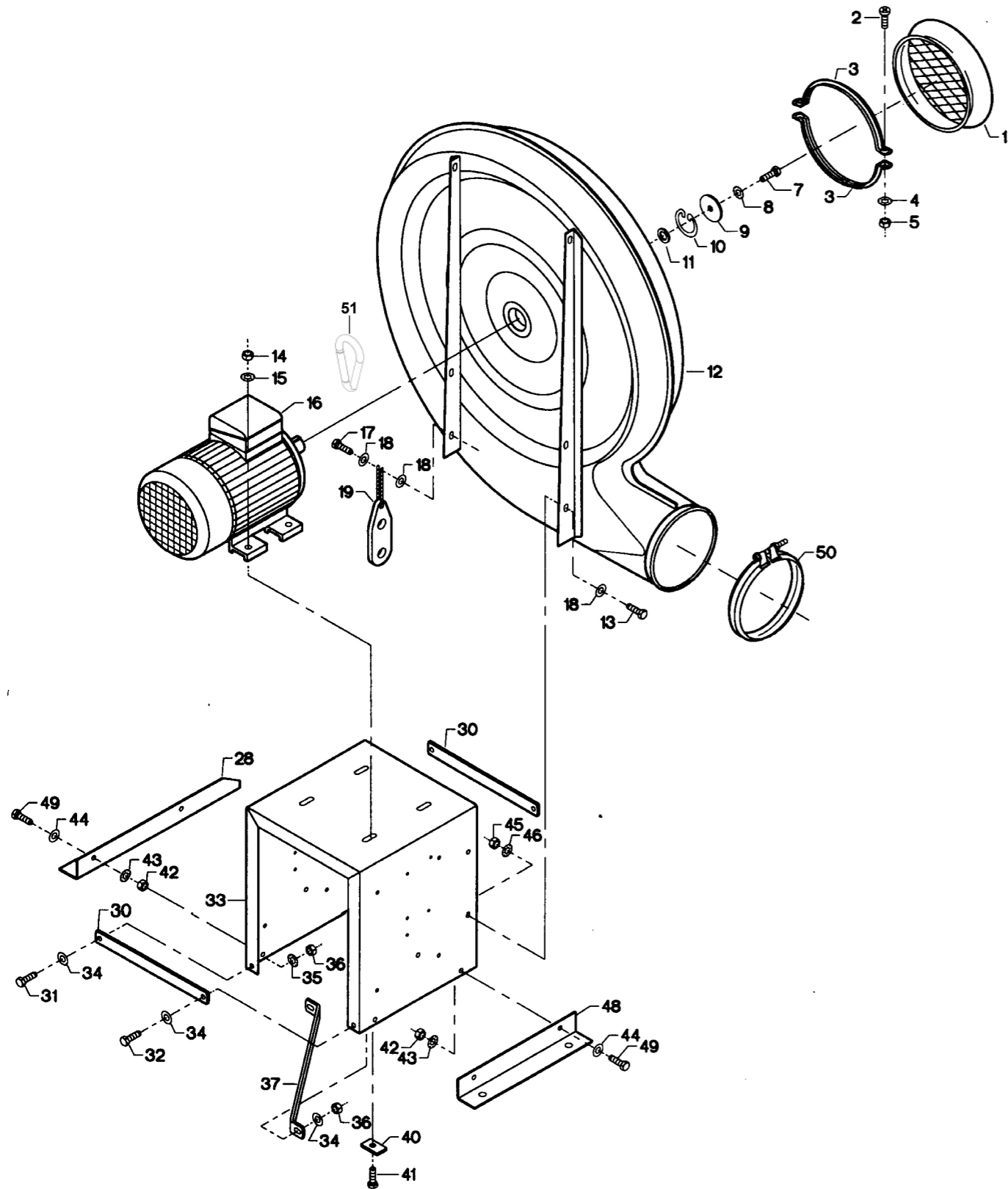


Fig.	Part no.	Pieces	Notes
1	121 000 726	1	
2	100 321 018	2	Torx screw M6 x 30 mm
3	121 000 727	2	
4	100 332 002	2	Star washer M6
5	100 315 028	2	Nut M6
7	100 306 030	1	Screw M10 x 30 mm
8	100 306 017	1	Screw M8 x 30 mm
8	100 332 004	1	Star washer M10
8	100 332 003	1	Star washer M8
9	121 000 060	1	Washer ø52/ø11 x 3 mm
10	121 000 021	1	Washer ø42/ø9 x 3 mm
11	100 407 001	1	Circlip ø28 x 1.2 mm
12	121 000 027	1	
12	121 030 048	1	
13	100 306 014	3	Screw M8 x 16 mm
14	100 315 013	4	Nut M10
15	100 332 004	4	Star washer M10
16	100 501 153	1	Motor 100L2 - B3 - 3.0 kW - 3 x 400 V - 50 Hz
17	100 306 015	1	Screw M8 x 20 mm
18	100 331 005	5	Flat washer M8
19	100 511 001	1	
28	121 000 768	1	
30	121 000 767	2	
31	100 306 015	2	Screw M8 x 20 mm
32	100 308 002	2	Screw M8 x 25 mm
33	121 030 047	1	
34	100 331 005	6	Flat washer M8
35	100 332 003	2	Star washer M8
36	100 315 012	4	Nut M8
37	121 000 728	1	
40	121 000 058	4	
41	100 308 037	4	Screw M10 x 40 mm
42	100 315 012	4	Nut M8
43	100 332 003	4	Star washer M8
44	100 331 005	4	Flat washer M8
45	100 315 012	4	Nut M8 for
46	100 332 003	4	Star washer M8
48	121 000 731	1	
49	100 306 014	4	Screw M8 x 16 mm
50	122 000 857	1	Bolt clamp OK160
51	100 420 260	1	Carabiner 5x50mm galvanized

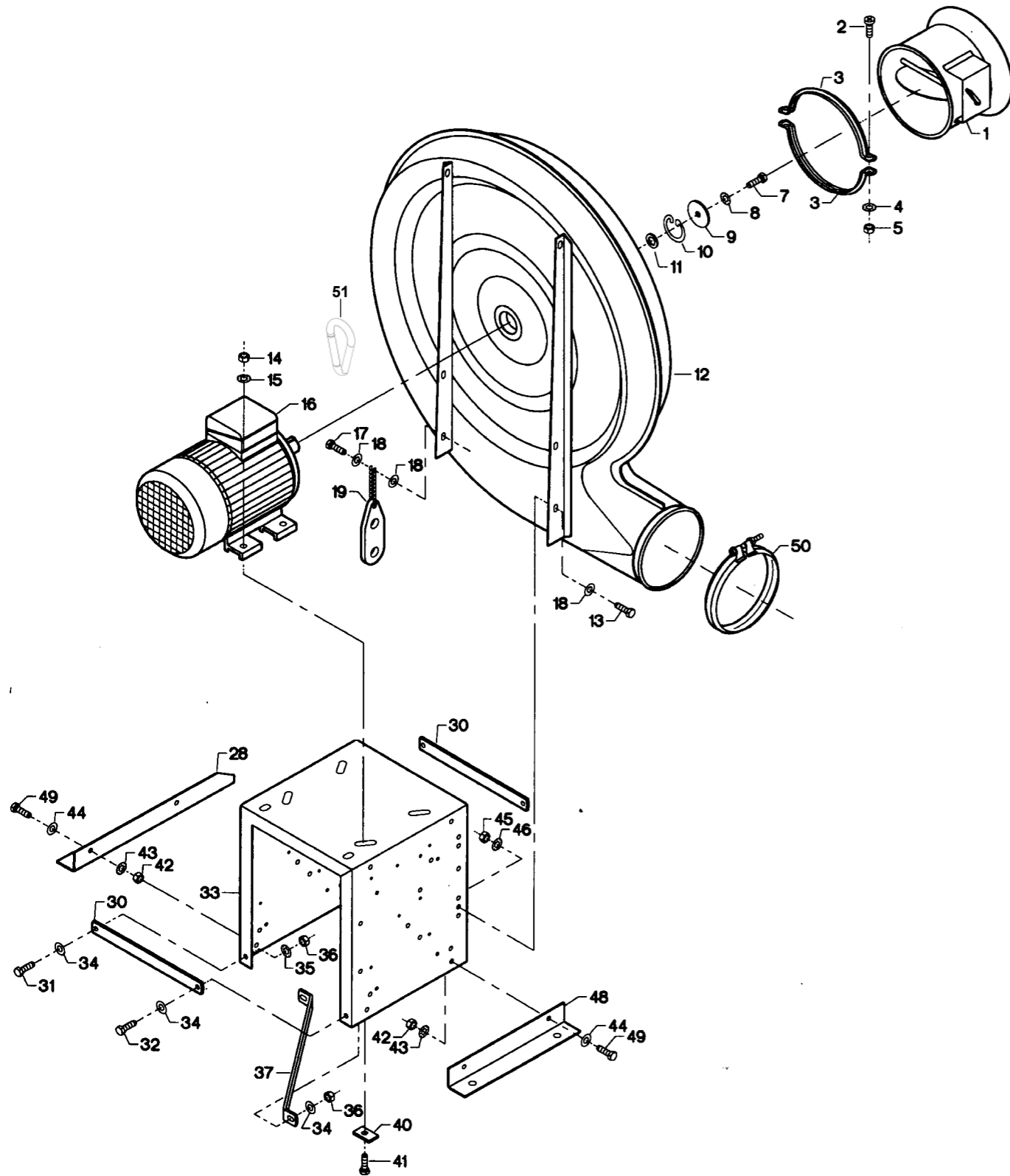


Fig.	Part no.	Pieces	Notes
1	121 040 037	1	
2	100 321 018	2	Torx screw M6 x 30 mm
3	121 000 727	2	
4	100 332 002	2	Star washer M6
5	100 315 028	2	Nut M6
7	100 306 030	1	Screw M10 x 30 mm
8	100 306 017	1	Screw M8 x 30 mm
9	100 332 004	1	Star washer M10
	100 332 003	1	Star washer M8
	121 000 060	1	Washer ø52/ø11 x 3 mm
10	121 000 021	1	Washer ø42/ø9 x 3 mm
11	100 407 001	1	Circlip ø28 x 1.2 mm
12	121 000 027	1	
13	121 000 735	1	
	100 306 014	3	Screw M8 x 16 mm
14	100 315 013	4	Nut M10
15	100 332 004	4	Star washer M10
16	100 501 089	1	Motor 112M2 - B3 - 4.0 kW - 3 x 400 V - 50 Hz
17	100 306 015	1	Screw M8 x 20 mm
18	100 331 005	5	Flat washer M8
19	100 511 001	1	
28	121 000 768	1	
30	121 000 767	2	
31	100 306 015	2	Screw M8 x 20 mm
32	100 308 002	2	Screw M8 x 25 mm
33	121 000 734	1	
34	100 331 005	6	Flat washer M8
35	100 332 003	2	Star washer M8
36	100 315 012	4	Nut M8
37	121 000 728	1	
40	121 000 058	4	
41	100 308 037	4	Screw M10 x 40 mm
42	100 315 012	4	Nut M8
43	100 332 003	4	Star washer M8
44	100 331 005	4	Flat washer M8
45	100 315 012	4	Nut M8 for
46	100 332 003	4	Star washer M8
48	121 000 731	1	
49	100 306 014	4	Screw M8 x 16 mm
50	122 000 857	1	Bolt clamp OK160
51	100 420 260	1	Carabiner 5x50mm galvanized

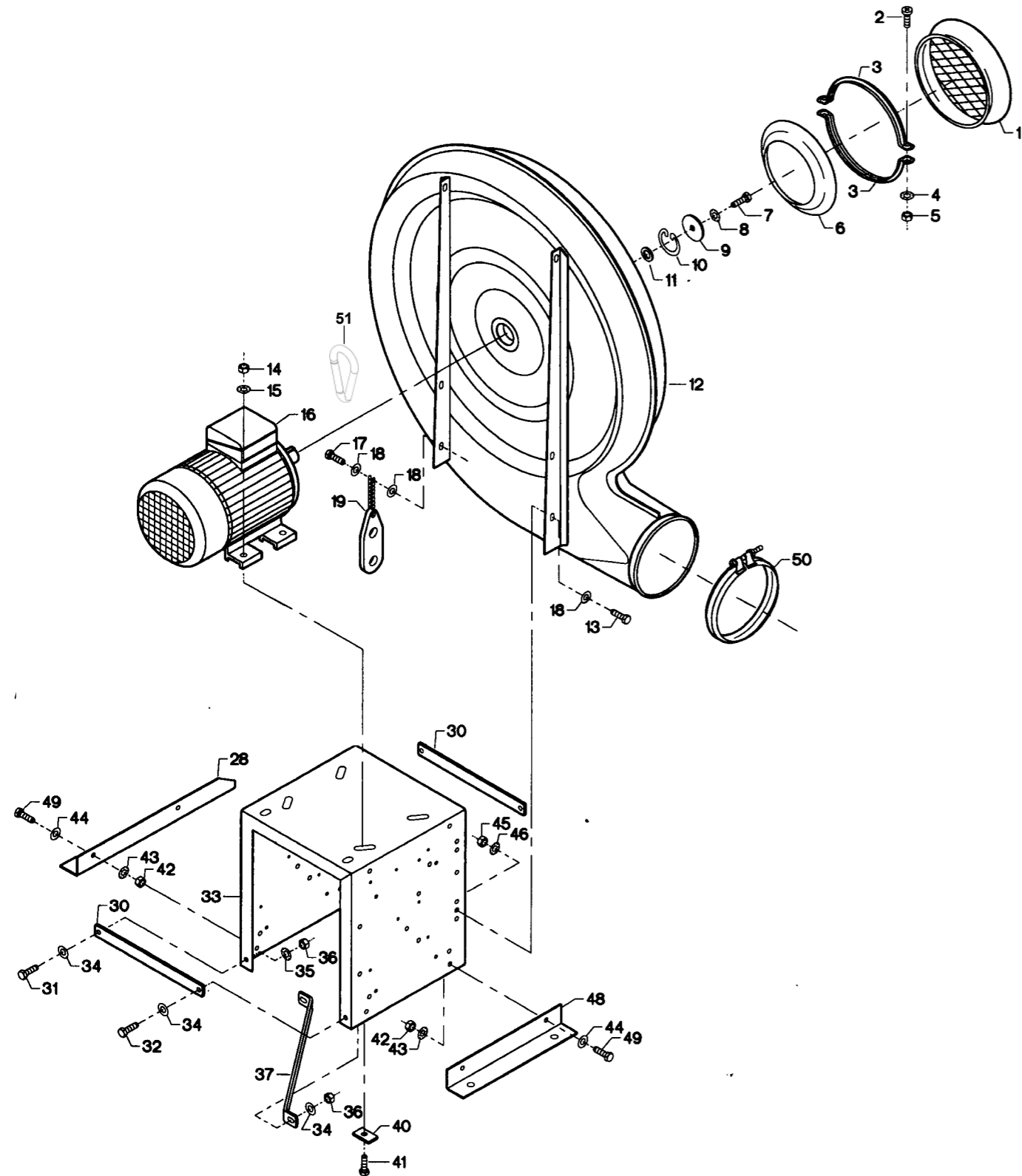


Fig.	Part no.	Pieces	Notes
1	121 000 726	1	
2	100 321 018	2	Torx screw M6 x 30 mm
3	121 000 727	2	
4	100 332 002	2	Star washer M6
5	100 315 028	2	Nut M6
6	121 060 025	1	
7	100 304 033	1	Screw M12 x 35 mm
8	100 332 005	1	Star washer M12
9	121 000 071	1	Washer
10	100 407 003	1	Circlip ø38 x 1.5 mm
11	121 000 070	1	
12	121 000 739	1	
13	100 306 014	3	Screw M8 x 16 mm
14	100 315 013	4	Nut M10
15	100 332 004	4	Star washer M10
16	100 501 005	1	Motor 132S2 - B3 - 5.5 kW - 3 x 400 V - 50 Hz
17	100 306 015	1	Screw M8 x 20 mm
18	100 331 005	5	Flat washer M8
19	100 511 028	1	
28	121 000 768	1	
30	121 000 767	2	
31	100 306 015	2	Screw M8 x 20 mm
32	100 308 002	2	Screw M8 x 25 mm
33	121 000 734	1	
34	100 331 005	6	Flat washer M8
35	100 332 003	2	Star washer M8
36	100 315 012	4	Nut M8
37	121 000 728	1	
40	121 000 058	4	
41	100 308 037	4	Screw M10 x 40 mm
42	100 315 012	4	Nut M8
43	100 332 003	4	Star washer M8
44	100 331 005	4	Flat washer M8
45	100 315 012	4	Nut M8 for
46	100 332 003	4	Star washer M8
48	121 000 731	1	
49	100 306 014	4	Screw M8 x 16 mm
50	122 000 857	1	Bolt clamp OK160
51	100 420 260	1	Carabiner 5x50mm galvanized



**Kongskilde Industries A/S**

Skælskørvej 64

DK - 4180 Sorø

Tel. +45 72 17 60 00

[mail@kongskilde-industries.com](mailto:mail@kongskilde-industries.com)

[www.kongskilde-industries.com](http://www.kongskilde-industries.com)