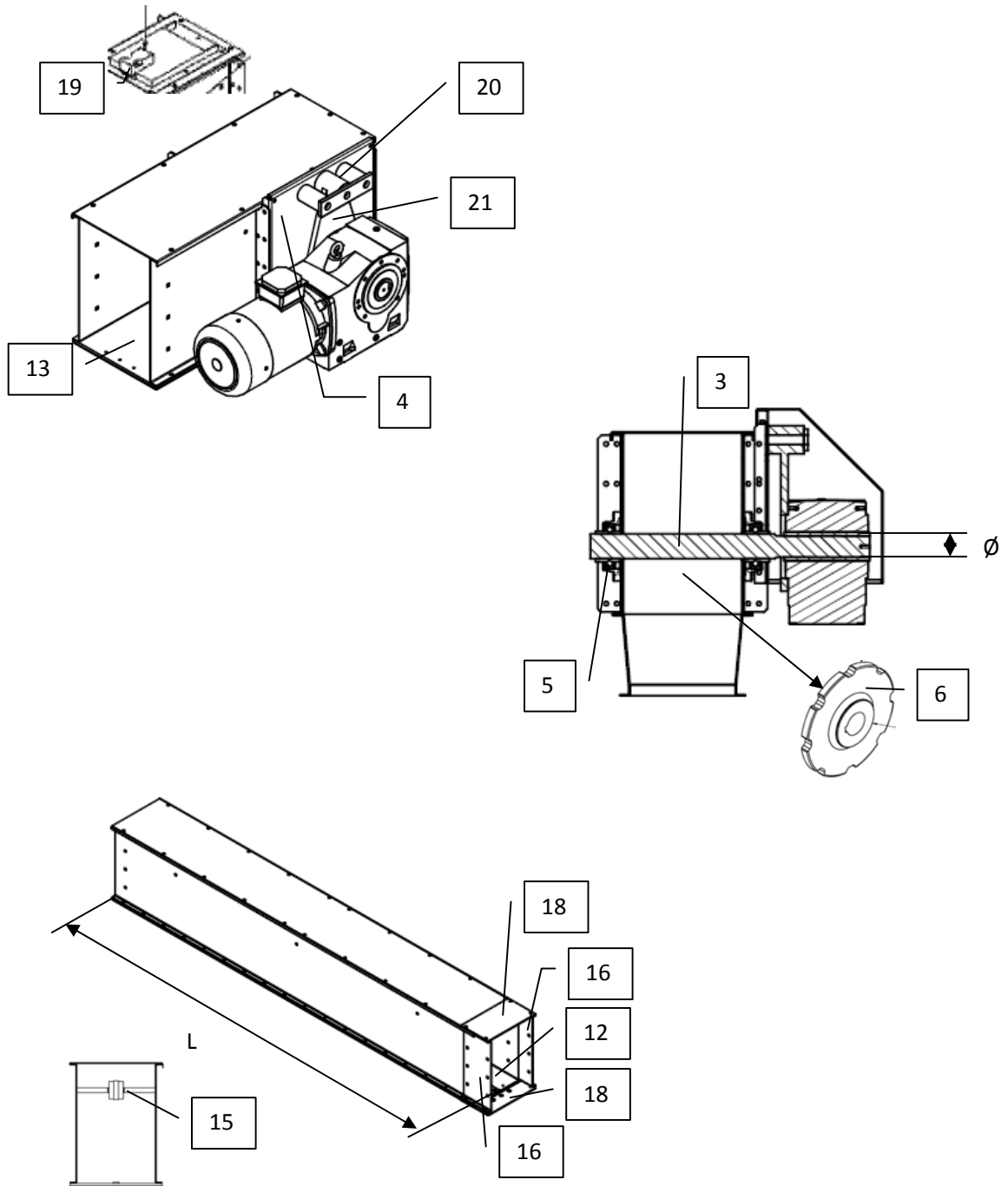
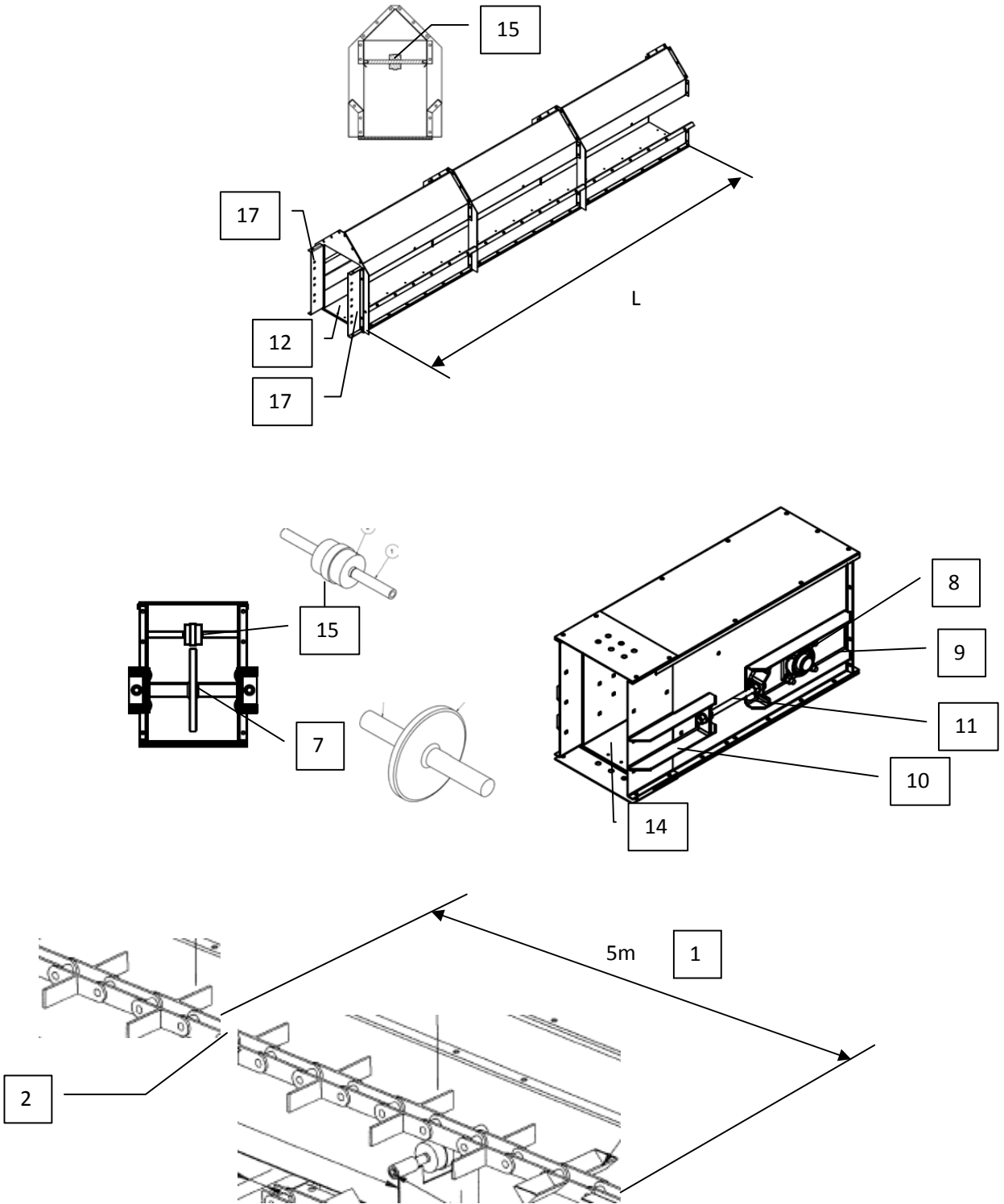


# KCC 100 Spare Parts List



# KCC 100 Spare Parts List



## KCC 100 Spare Parts List

<b>KCC 100 Chain conveyor</b>			
Nr	Tekst	Dimen.	Pos.
137000521	KCC 100/120 Conveying chain 5m w. joint link		1
137000607	KCC 100/120 Joint link for conveying chain		2
137000608	KCC 100/120 Shaft for drive section Ø50	Ø=50	3
137000609	KCC 100/120 Shaft for drive section Ø60	Ø=60	
137000610	KCC 100/120 Shaft for drive section Ø70	Ø=70	
137000611	KCC 100 Flange for bearing drive section		4
137000612	KCC 100/120 Flange bearing UCF generico, Ø70		5
137000613	KCC 100/120 Sprocket wheel for drive section		6
137000614	KCC 100/120 Shaft w. wheel tightning section		7
137000615	KCC 100/120 Flangeleje UCF generico Ø50		8
137000616	KCC 100/120 Bracket for mounting of bearing return section		9
137000617	KCC 100/120 Bracket for shai tightning return section		10
137000618	KCC 100/120 Hex head bolt M20		11
137000598	KCC 80/120 Wear liner PEHD L 2970mm	L=2970	12
137000599	KCC 80/120 Wear liner PEHD L 1270mm	L=1270	
137000600	KCC 80/120 Wear liner PEHD L 670mm	L=670	
137000601	KCC 80/120 Wear liner PEHD L 370mm	L=370	
137000602	KCC 80/120 Wear liner PEHD drive section		13
137000603	KCC 80/120 Wear liner PEHD return section		14
137000604	KCC 100/120 Return role w. shaft		15
928110045	KCC 100 Joint plate side closed extension		16
137000582	KCC 100 Joint plate side extension w. side inlet		17
137000619	KCC 100/120 Joint plate top/bottom		18
137000577	KCC 40-120 Switch for over flow flap		19
137000620	KCC 100 Bracket for torque arm Ø50	Ø=50	20
137000621	KCC 100 Bracket for torque arm Ø60	Ø=60	
137000622	KCC 100 Bracket for torque arm Ø70	Ø=70	
100505160	Nordgear 68390600 torque arm SK9032	Ø=50	21
100505161	Nordgear 68490600 torque arm SK9042	Ø=60	
100505162	Nordgear 68590600 torque arm SK9052	Ø=70	