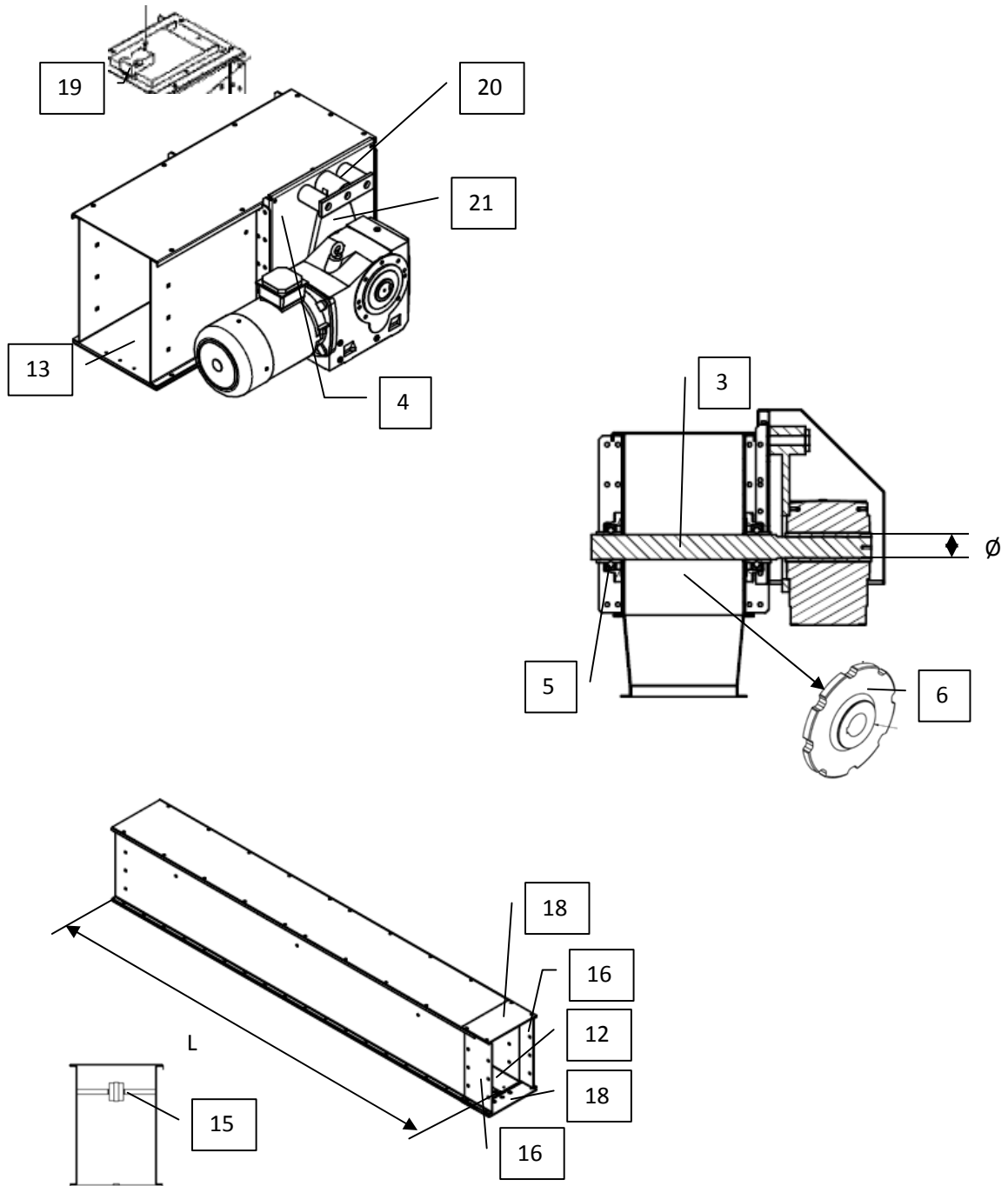
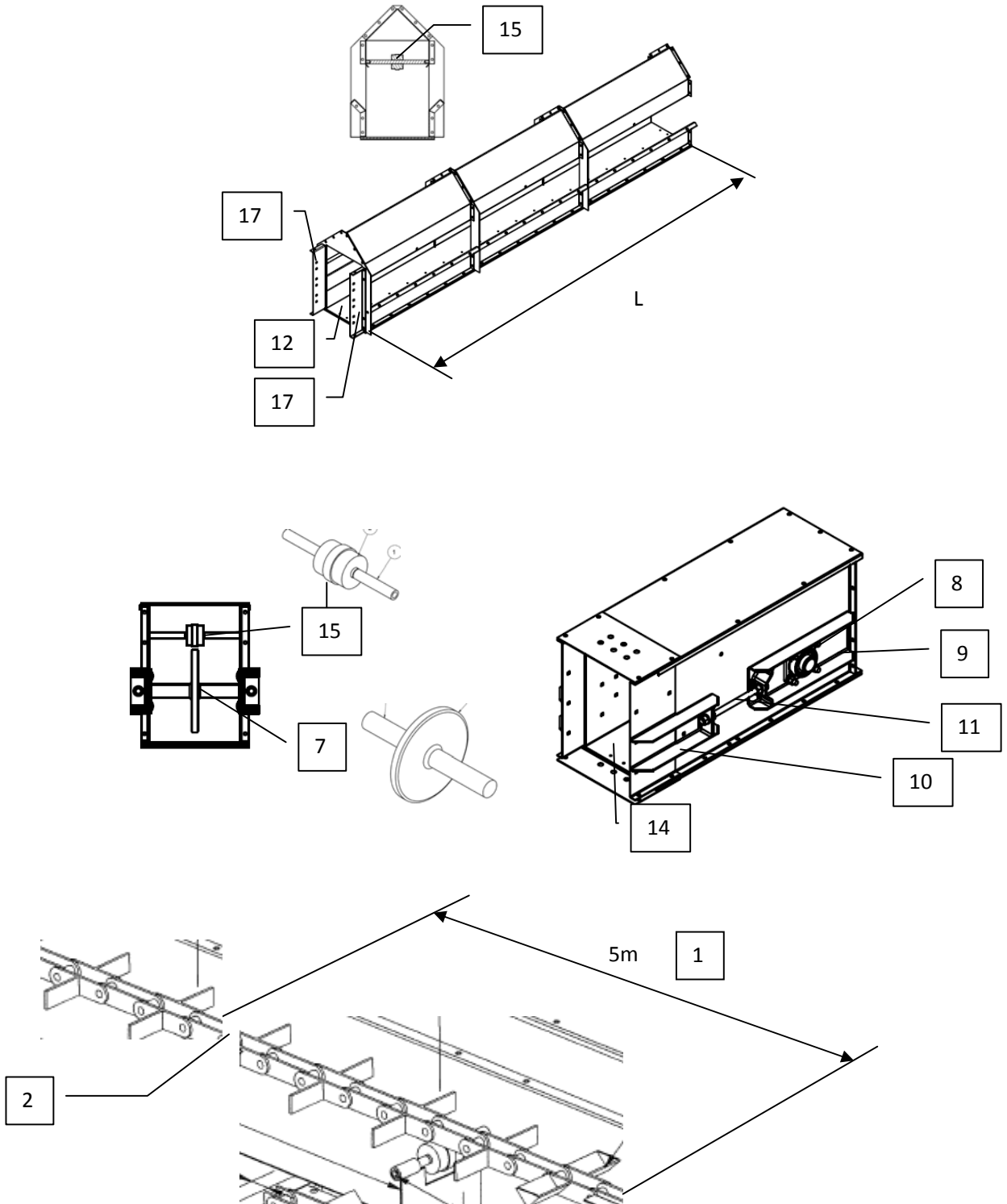


## KCC 80 Spare Parts List



## KCC 80 Spare Parts List



## KCC 80 Spare Parts List

<b>KCC 80 Chain conveyor</b>			
Nr	Tekst	Dimen.	Pos.
137000513	KCC 80 Conveying chain, 5 meter w. Joint link		1
137000422	KCC 40/80 Joint link for conveying chain		2
137000587	KCC 80 Shaft for drive section Ø40	Ø=40	3
137000588	KCC 80 Shaft for drive section Ø50	Ø=50	
137000589	KCC 80 Shaft for drive section Ø60	Ø=60	
137000590	KCC 80 Flange for bearing drive section		4
137000569	KCC 80 Flange bearing UCF generico, Ø50		5
928105043	KCC 80 Sprocket wheel for drive section		6
137000593	KCC 80 Shaft w. wheel tightning section		7
136000517	KCC 40/80 Flanged bearing UCF generico Ø40, return section		8
928100030	KCC 40/80 Bracket for mounting of bearing return section		9
928100028	KCC 40/80 Bracket for chain tightning return section		10
137000597	KCC 80 Hex head bolt M 16 x 200 ISO 8017		11
137000598	KCC 80/120 Wear liner PEHD L 2970mm	L=2970	12
137000599	KCC 80/120 Wear liner PEHD L 1270mm	L=1270	
137000600	KCC 80/120 Wear liner PEHD L 670mm	L=670	
137000601	KCC 80/120 Wear liner PEHD L 370mm	L=370	
137000602	KCC 80/120 Wear liner PEHD drive section		13
137000603	KCC 80/120 Wear liner PEHD return section		14
137000604	KCC 80 Return role w. Shaft		15
928110045	KCC 60/80 Joint plate side closed extension		16
137000582	KCC 60/80 Joint plate side extension with side inlet		17
928510442	KCC 80 Joint plate top/bottom		18
137000577	KCC 40-120 Switch for over flow flap		19
137000584	KCC 60/80 Bracket for torque arm Ø40	Ø=40	20
137000585	KCC 60/80 Bracket for torque arm Ø50	Ø=50	
137000586	KCC 60/80 Bracket for torque arm Ø60	Ø=60	
100505159	Nordgear 68290600 torque arm SK9022	Ø=40	21
100505160	Nordgear 68390600 torque arm SK9032	Ø=50	
100505161	Nordgear 68490600 torque arm SK9042	Ø=60	