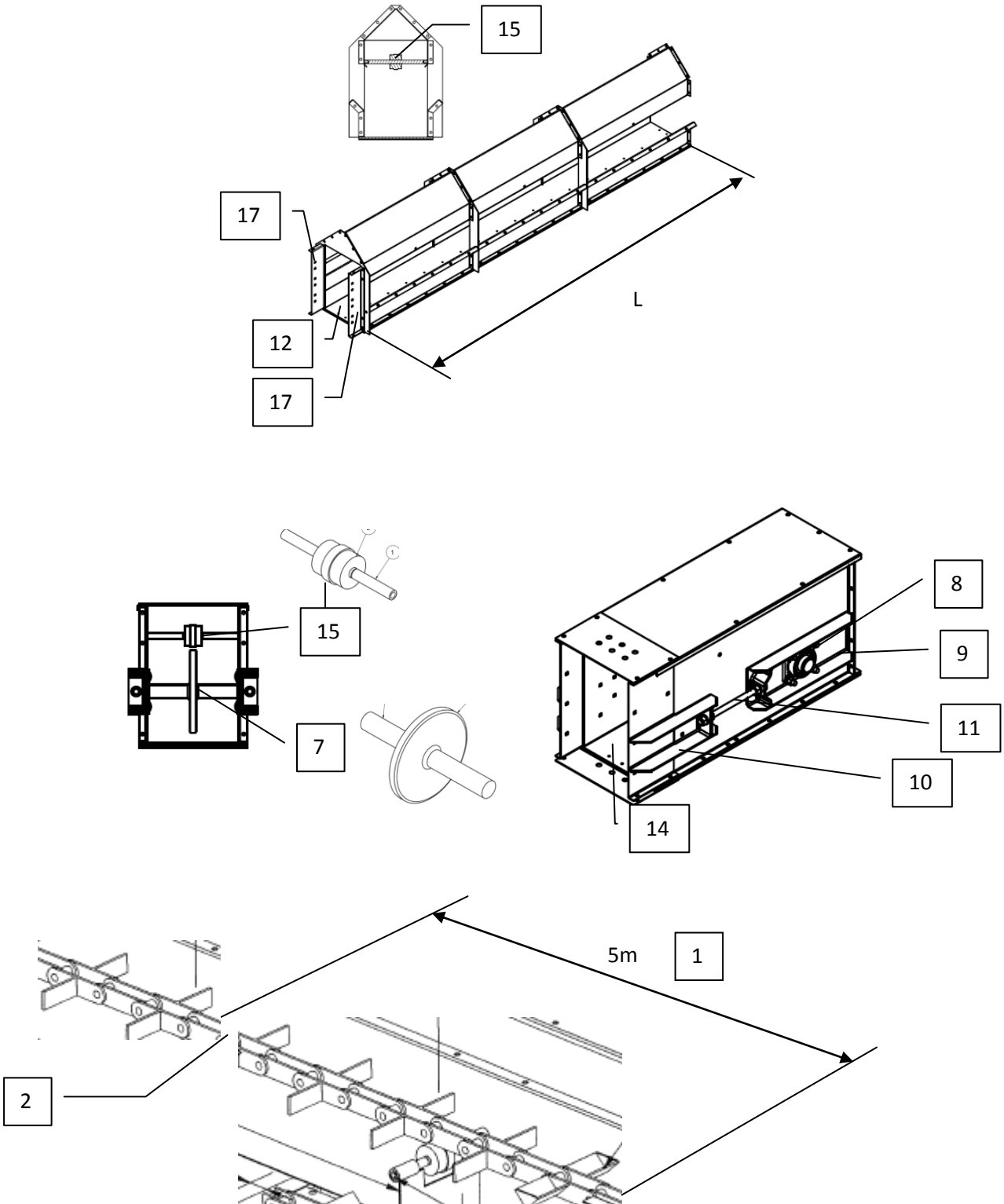
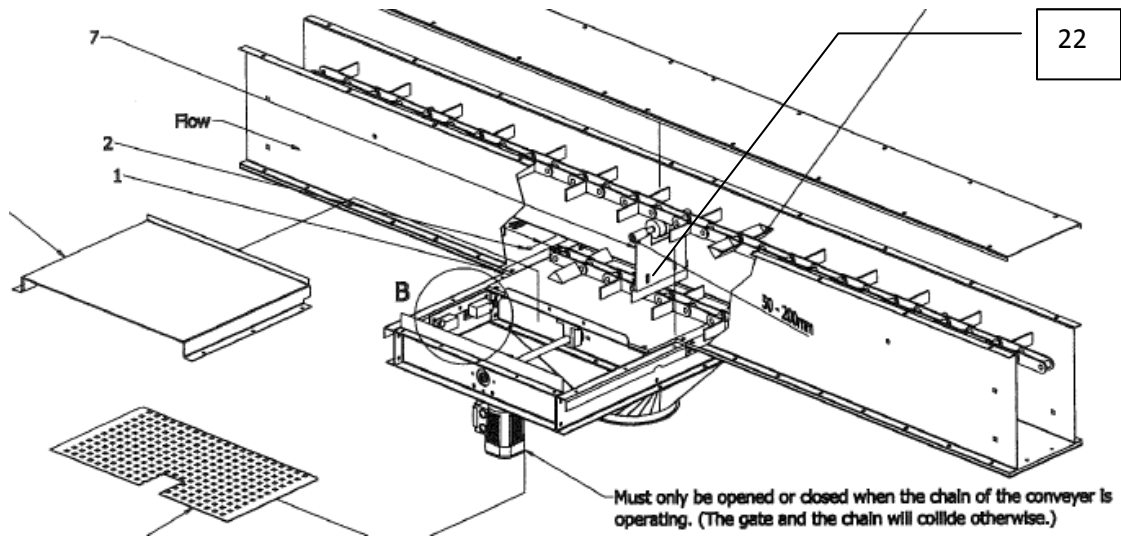


KCC 60 Spare Parts List



KCC 60 Spare Parts List



KCC 60 Spare Parts List

KCC 60 Chain conveyor			
Nr	Tekst	Dimen.	Pos.
137000504	KCC 40/60 Conveying chain, 5 meter w. joint link		1
137000422	KCC 40/80 Joint link for conveying chain		2
137000565	KCC 40/60 Shaft for drive section Ø35	Ø=35	3
137000566	KCC 40/60 Shaft for drive section Ø40 (Gear drive 2,2kW)	Ø=40	
137000666	KCC 40/60 Shaft for drive section Ø40 (Gear drive 3,0kW)	Ø=40	
137000567	KCC 40/60 Shaft for drive section Ø50	Ø=50	
137000568	KCC 40/60 Shaft for drive section Ø60	Ø=60	
137000581	KCC 60 Flange for bearing drive section		4
137000569	KCC 40 /80 Flanged bearing UCF generico, Ø50, drive section		5
928105043	KCC 60/80 Sprocket wheel for drive section		6
137000474	KCC 60 Shaft w. wheel tightning section		7
136000517	KCC 40/80 Flanged bearing UCF generico Ø40, return section		8
928100030	KCC 40/80 Bracket for mounting of bearing return section		9
928100028	KCC 40/80 Bracket for chain tightning return section		10
137000570	KCC 40/60 Hex head bolt M 16 x 200 ISO 4017		11
928110048	KCC 40/60 Wear liner PEHD L 2970mm	L=2970	12
137000571	KCC 40/60 Wear liner PEHD L 1270mm	L=1270	
137000572	KCC 40/60 Wear liner PEHD L 670mm	L=670	
137000573	KCC 40/60 Wear liner PEHD L 370mm	L=370	
137000574	KCC 40/60 Wear liner PEHD drev sektion		13
137000575	KCC 40/60 Wear liner PEHD vendesektion		14
928105043	KCC 40/60 Return role w. Shaft		15
928110045	KCC 60/80 Joint plate side closed extension		16
137000582	KCC 60/80 Joint plate side extension with side inlet		17
928100442	KCC 40/60 Joint plate top/bottom.		18
137000577	KCC 40-120 Switch for over flow flap		19
137000583	KCC 60 Bracket for torque arm Ø35	Ø=35	20
137000584	KCC 60/80 Bracket for torque arm Ø40	Ø=40	
137000585	KCC 60/80 Bracket for torque arm Ø50	Ø=50	
137000586	KCC 60/80 Bracket for torque arm Ø60	Ø=60	
100505158	Nordgear 61090600 torque arm SK9012	Ø=35	21
100505158	Nordgear 61090600 torque arm SK9012	Ø=40	
100505159	Nordgear 68290600 torque arm SK9022, Motor 2,2kW	Ø=40	
100505160	Nordgear 68390600 torque arm SK9032	Ø=50	
100505161	Nordgear 68490600 torque arm SK9042	Ø=60	
137000658	KCC 60 Cleaning brush for intermediate outlet		22