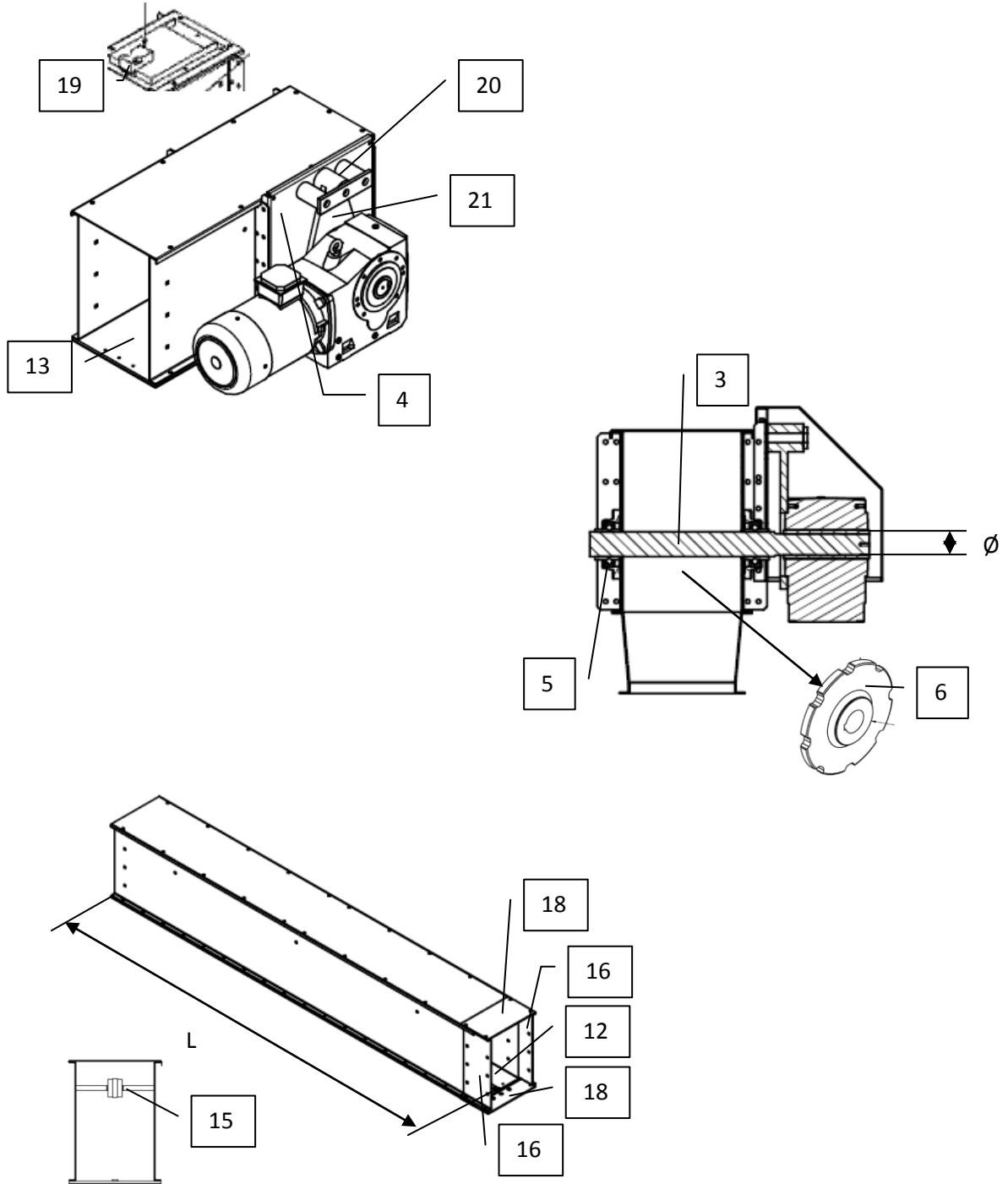
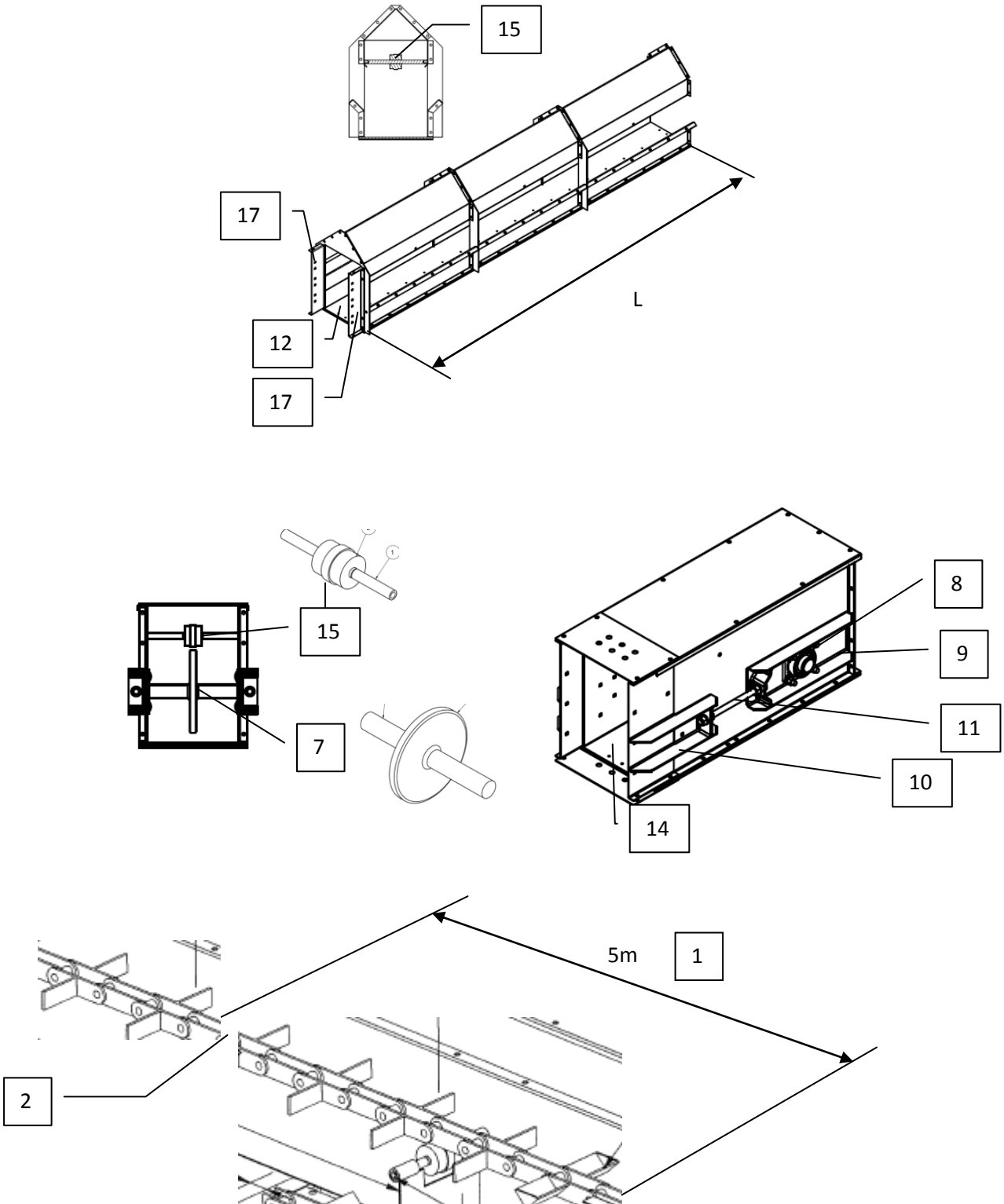


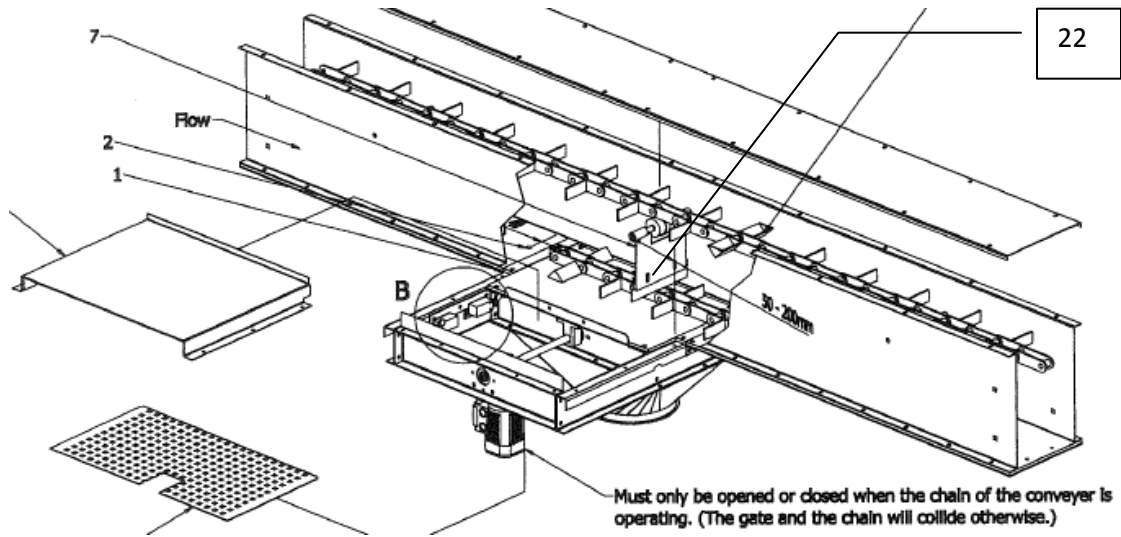
KCC 40 Spare Parts List



KCC 40 Spare Parts List



KCC 40 Spare Parts List



KCC 40 Spare Parts List

KCC 40 Chain conveyor			
Part No.	Description	Dimen.	Pos.
137000504	KCC 40/60 Conveying chain, 5 meter w. joint link		1
137000422	KCC 40/80 Joint link for conveying chain		2
137000565	KCC 40/60 Shaft for drive section Ø35	Ø=35	3
137000566	KCC 40/60 Shaft for drive section Ø40 (Gear drive 2,2kW)	Ø=40	
137000666	KCC 40/60 Shaft for drive section Ø40 (Gear drive 3,0kW)	Ø=40	
137000567	KCC 40/60 Shaft for drive section Ø50	Ø=50	
137000568	KCC 40/60 Shaft for drive section Ø60	Ø=60	
928100014	KCC 40 Flange for bearing drive section		4
137000569	KCC 40 /80 Flanged bearing UCF generico, Ø50, drive section		5
928105061	KCC 40 Sprocket wheel for drive section		6
928105045	KCC 40 Shaft w. wheel tightning section		7
136000517	KCC 40/80 Flanged bearing UCF generico Ø40, return section		8
928100030	KCC 40/80 Bracket for mounting of bearing return section		9
928100028	KCC 40/80 Bracket for chain tightning return section		10
137000570	KCC 40/60 Hex head bolt M 16 x 200 ISO 4017		11
928110048	KCC 40/60 Wear liner PEHD L 2970mm	L=2970	12
137000571	KCC 40/60 Wear liner PEHD L 1270mm	L=1270	
137000572	KCC 40/60 Wear liner PEHD L 670mm	L=670	
137000573	KCC 40/60 Wear liner PEHD L 370mm	L=370	
137000574	KCC 40/60 Wear liner PEHD drev sektion		13
137000575	KCC 40/60 Wear liner PEHD vendesektion		14
928105043	KCC 40/60 Return role w. Shaft		15
928100004	KCC 40 Joint plate side closed extension		16
137000576	KCC 40 Joint plate side extension with side inlet		17
928100442	KCC 40/60 Joint plate top/bottom.		18
137000577	KCC 40-120 Switch for over flow flap		19
137000578	KCC 40 Bracket for torque arm Ø35	Ø=35	20
137000578	KCC 40 Bracket for torque arm Ø40	Ø=40	
137000579	KCC 40 Bracket for torque arm Ø40, Motor 2,2kW	Ø=40	
137000580	KCC 40 Bracket for torque arm Ø50	Ø=50	
100505158	Nordgear 61090600 torque arm SK9012	Ø=35	21
100505158	Nordgear 61090600 torque arm SK9012, Motor 2,2kW	Ø=40	
100505159	Nordgear 68290600 torque arm SK9022	Ø=40	
100505160	Nordgear 68390600 torque arm SK9032	Ø=50	
137000522	KCC 60 Cleaning brush for intermediate outlet		22