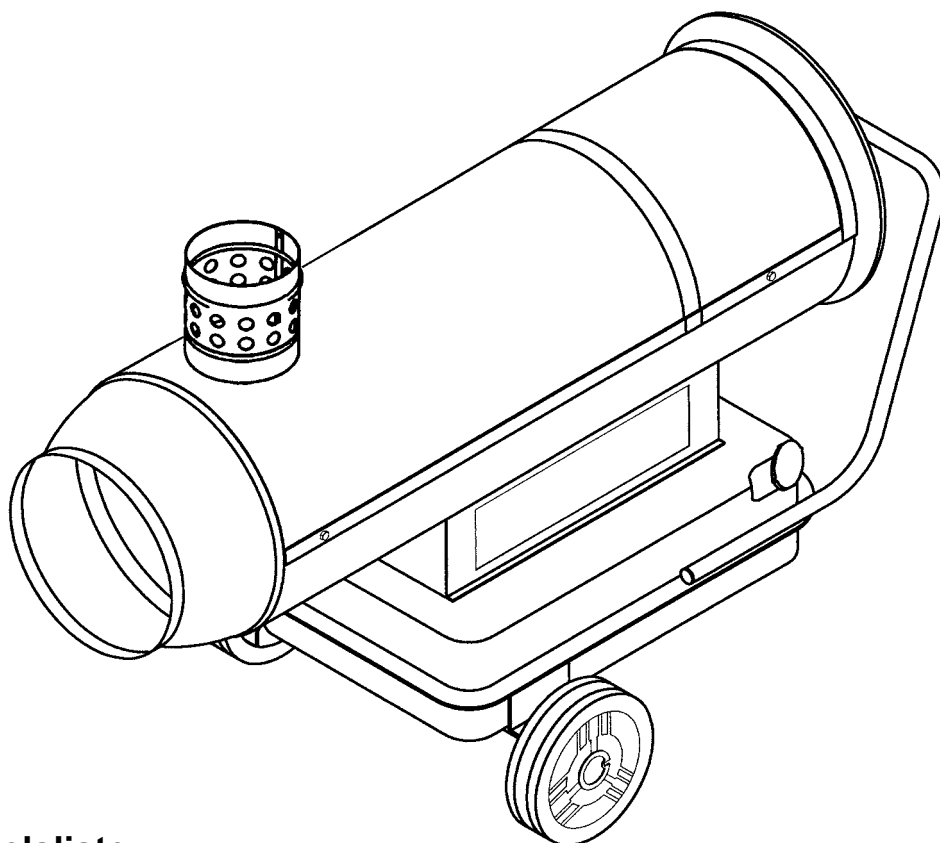


***KAI 125/180/300 HC***

**2008**



**Reservedelsliste  
Spare parts list  
Ersatzteilliste  
Onderdelenlijst  
Liste de pièce de rechange  
Lista dei pezzi di ricambio**

# KAI 125 HC

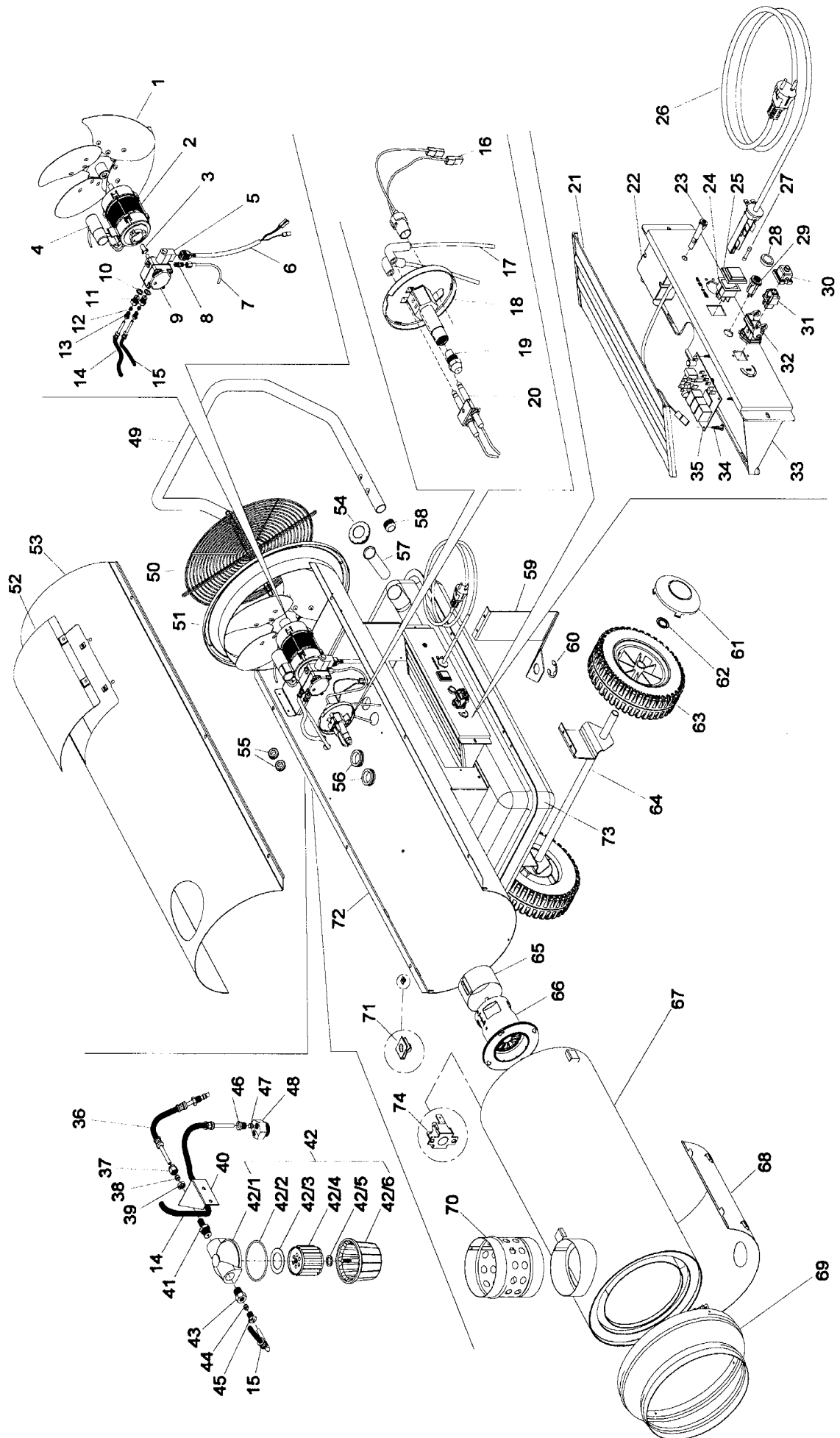


Fig.	New part No.	Old part No.	Description	From	To	Notes
1	90220200055	9021087007533	FAN			D. 355 20° 3P
2	90220400053	9021040012233	MOTOR			430W 230V 50Hz
3	90220010002	9021001001300	JOINT			
4	90220490012	9021049001500	CAPACITOR			16uF 450V
5	90220220006	9021089005800	COIL			BFPC 21 230V 50/60Hz
6	90220430017	9021043004500	CABLE + CONNECTOR			3x1 L= 1000mm
7	90220160000	9021076004300	MICROHOSE			L= 400mm PS= 1400bar
8	90220120022	9021067004100	FITTING			FD1/8"gir + FD1/8"gir
9	90220220010	9021089006400	PUMP			1/8"Mcil 60° + 1/8"Mccon BFPC 21 R3 230V 50/60Hz 11.5bar
10	90220230159	9021018002900	WASHER			1/4"
11	90220100003	9021066001300	FITTING			1/4"M + BICONE
12	90220120049	9021067009100	OGIVE			D. 6mm
13	90220100006	9021066001600	FITTING			M
14	90220160024	9021078000600	BACKFLOW HOSE			L= 530mm
15	90220160016	9021078000100	INFLOW HOSE			L= 320mm
16	90220500004	9021050001000	FLAME SENSOR			L= 1000mm
17	90220390250	9021039037433	HT CABLE			L= 870mm + CONNETTORE 90° w/filter 1Kohm replaces 9021039043600
18	90220620666	9021094137000	BURNER HEAD			
19	90220210061	9021088014100	NOZZLE			0.65 GPH 60° H
20	90220300010	9021030002100	ELECTRODE			
21	90220010064	9021001017500	COVER			
22	90220330010	9021033004111	TRANSFORMER			TD2LTCFSF 2x12KV CM100% 230V 50/60Hz replaces 9021033004233 - 9021033004700
23	90220410002	9021041001700	POWER SUPPLY LAMP			GREEN 230V T 120°C
24	90220320003	9021032001700	ON/OFF SWITCH			
26	90220390366	CAVAL#EUR2500EURP2	POWER SUPPLY CABLE			H07RNF 3x1 L= 2500mm + EU SCHUKO PLUG D. 6.3x32 6.3A
27	90220350008	9021035001411	FUSE			
28	90220020012	9021002002855	CAP			24V
29	90220320022	9021032005500	RESET PUSHBUTTON			
30	90220070022	9021052006600	SOCKET CAP	jun-06		3P+T
31	90220430000	9021043000400	THERMOSTAT SOCKET			3P+T
32	90220430002	9021043000600	THERMOSTAT SOCKET CAS.			
33	90220010060	9021001017100	CONTROL PANEL			
34	90220010048	9021001015680	SPACER			
35	90220470019	9021047004500	BURNER CONTROL			230V 50/60Hz
36	90220160020	9021078000300	SUCTION HOSE			L= 413mm
37	90220100007	9021066001700	FITTING			M10x1 for filter 3/8"M
38	90220120049	9021067009100	OGIVE			D. 6mm
39	90220230129	9021017002800	NUT			M10x1
40	90220620648	9021094134900	FILTER BRACKET			
41	90220100005	9021066001500	FITTING			
42	90220190012	9021086002500	OIL FILTER			3/8"F + 3/8"F 100µm w/fitting
42/1	90220650003	9021135000400	COVER			
42/2	90220800000	9021002006000	O-RING AND GASKET			replaces 9021002004200 - 9021002005100 - 9021002005300
42/3	90220800000	9021002006000	O-RING AND GASKET			replaces 9021002004200 - 9021002005100 - 9021002005300
42/5	90220800000	9021002006000	O-RING AND GASKET			replaces 9021002004200 - 9021002005100 - 9021002005300
42/4	90220190002	9021086000700	CARTRIDGE			
42/6	90220010004	9021001001900	GLASS			
43	90220100003	9021066001300	FITTING			1/4"M + BICONE
44	90220120049	9021067009100	OGIVE			D. 6mm
45	90220100006	9021066001600	FITTING			M
46	90220100006	9021066001600	FITTING			M
47	90220120049	9021067009100	OGIVE			D. 6mm
48	90220100002	9021066001200	SUCTION FITTING			
49	90220610100	9021095011800	HANDLE			BLACK RAL 9005
50	90220240033	9021090007533	GUARD			
51	90220630640	CONVGEN#MIR05511	AIR INLET			RED RAL 3000 - SPECIFY RAL IF DIFFERENT
52	90220631676	PORTISP#TOMM411	INSPECTION COVER			RED RAL 3000 - SPECIFY RAL IF DIFFERENT
53	90220630726	COPGEN#MIR03711	UPPER SHELL			RED RAL 3000 - SPECIFY RAL IF DIFFERENT
54	90220050000	9021005000100	TANK CAP			
55	90220020006	9021002002000	GASKET			122/N for hole D. 19mm
56	90220020007	9021002002100	GASKET			DL331
57	90220190005	9021086001000	FILLING FILTER			Ø 28mm
58	90220050005	9021005000900	HANDLE CAP			BLACK D. 30mm

# KAI 125 HC

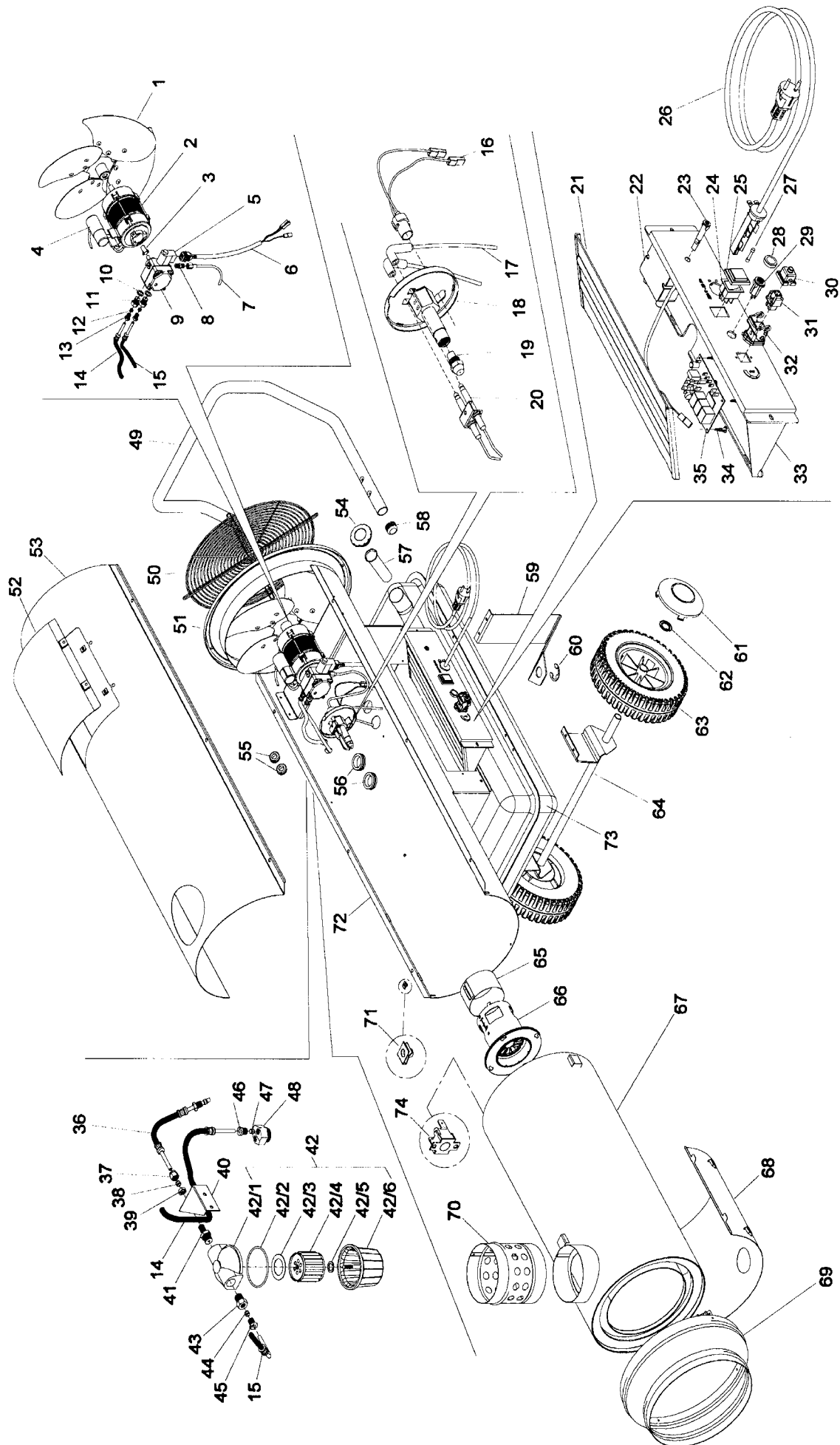


Fig.	New part No.	Old part No.	Description	From	To	Notes
59 60 61 62 63	90220630020 90220230227 90220050015 90220230219 90220040013	9021094046500 9021023001500 9021005002400 9021022000300 9021004002200	TANK SUPPORT SPRING WHEEL CAP SEEGER RING WHEEL			BLACK RAL 9005 GEN. 91 D. 24mm BLACK D. 20mm D. 260mm
64 65 66 67 68	90220630221 90220620653 90220620651 90220090023 90220622057	9021094134100 9021094135733 9021094135533 CAMGEN#MIR037 PROCAMGEN#MIR5H	AXLE AIR LOCK CHAMBER INLET COMBUSTION CHAMBER CHAMBER SHIELD			BLACK RAL 9005 STAINLESS STEEL/ NOX D. 60mm
69 70 71 72	90220630606 90220620679 90220230125 90220630995	CONOMIR#055A11 9021094138733 9021017002200 CRPGEN#MIR03711	AIR OUTLET FLUE COLLAR FIXING CLIP LOWER SHELL			RED RAL 3000 - SPECIFY RAL IF DIFFERENT  for screw M6 RED RAL 3000 - SPECIFY RAL IF DIFFERENT
73 74	90220631749 90220360022	SERBGEN#M020 9021036004400	TANK OVERHEAT THERMOSTAT			51LT RAL 9005 - SPECIFY RAL IF DIFFERENT 170°C

# KAI 180 HC

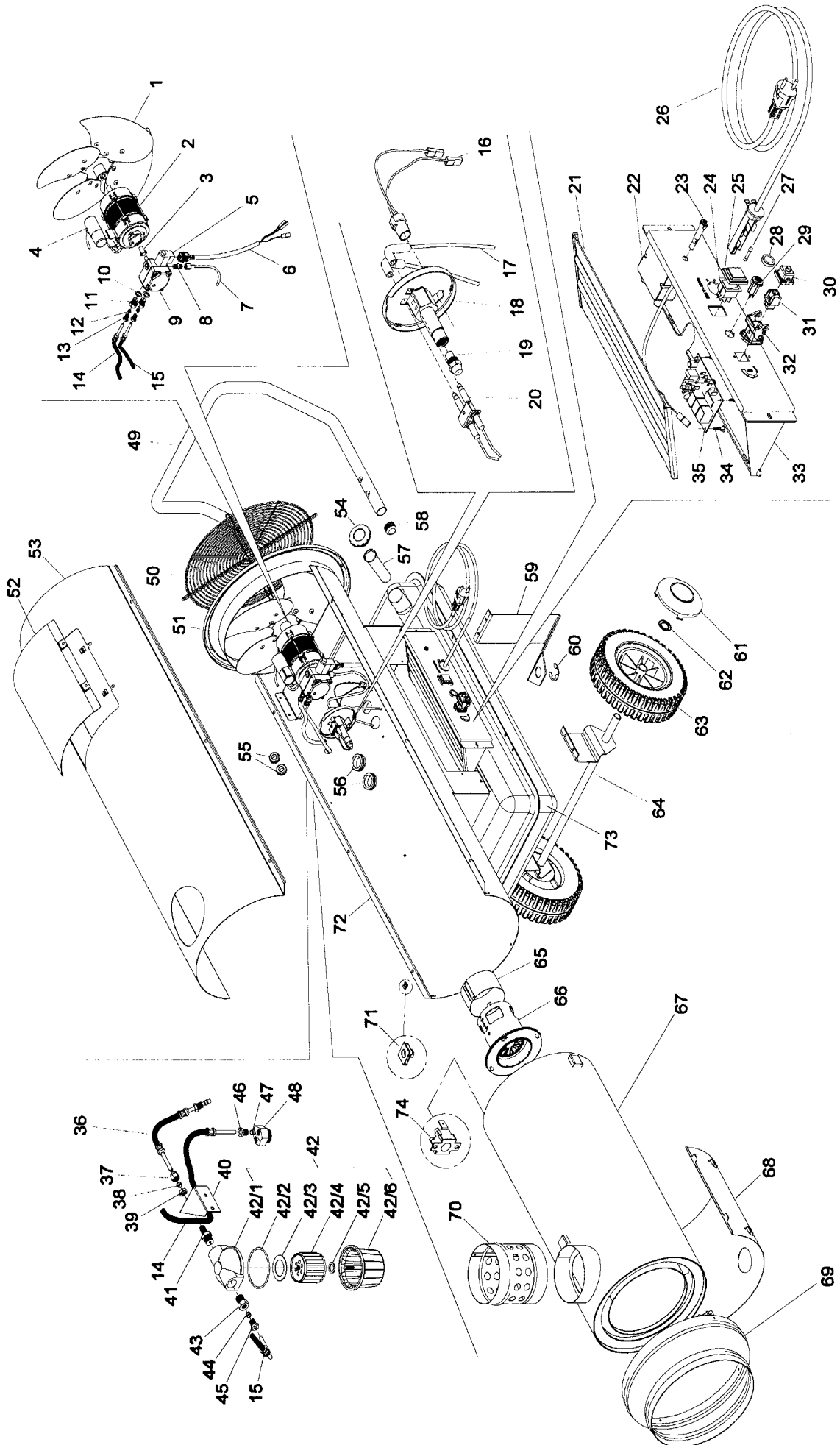


Fig.	New part No.	Old part No.	Description	From	To	Notes
1	90220200054	9021087007333	FAN			D. 350mm 18° 4P
2	90220400053	9021040012233	MOTOR			430W 230V 50Hz
3	90220010002	9021001001300	JOINT			
4	90220490012	9021049001500	CAPACITOR			16uF 450V
5	90220220006	9021089005800	COIL			BFPC 21 230V 50/60Hz
6	90220430017	9021043004500	CABLE + CONNECTOR			3x1 L= 1000mm
7	90220160000	9021076004300	MICROHOSE			L= 400mm PS= 1400bar
8	90220120022	9021067004100	FITTING			FD1/8"gir + FD1/8"gir
9	90220220010	9021089006400	PUMP			1/8"Mcil 60° + 1/8"Mccon BFPC 21 R3 230V 50/60Hz 11.5bar
10	90220230159	9021018002900	WASHER			1/4"
11	90220100003	9021066001300	FITTING			1/4"M + BICONE
12	90220120049	9021067009100	OGIVE			D. 6mm
13	90220100006	9021066001600	FITTING			M
14	90220160024	9021078000600	BACKFLOW HOSE			L= 530mm
15	90220160016	9021078000100	INFLOW HOSE			L= 320mm
16	90220500004	9021050001000	FLAME SENSOR			L= 1000mm
17	90220390250	9021039037433	HT CABLE			L= 870mm + CONNECTOR 90° w/filter 1Kohm replaces 9021039043600
18	90220620666	9021094137000	BURNER HEAD			
19	90220210048	9021088012100	NOZZLE			1.00 GPH 60° H
20	90220300010	9021030002100	ELECTRODE			
21	90220010064	9021001017500	COVER			
22	90220330010	9021033004111	TRANSFORMER			TD2LTCFSF 2x12KV CM100% 230V 50/60Hz replaces 9021033004233 - 9021033004700
23	90220410002	9021041001700	POWER SUPPLY LAMP			GREEN 230V T 120°C
24	90220320003	9021032001700	ON/OFF SWITCH			
26	90220390366	CAVAL#EUR2500EURP2	POWER SUPPLY CABLE			H07RNF 3x1 L= 2500mm + EU SCHUKO PLUG D. 6.3x32 6.3A
27	90220350008	9021035001411	FUSE			
28	90220020012	9021002002855	CAP			24V
29	90220320022	9021032005500	RESET PUSHBUTTON			
30	90220070022	9021052006600	SOCKET CAP	jun-06		
31	90220430000	9021043000400	THERMOSTAT SOCKET			3P+T
32	90220430002	9021043000600	THERMOSTAT SOCKET CAS.			3P+T
33	90220010060	9021001017100	CONTROL PANEL			
34	90220010048	9021001015680	SPACER			
35	90220470019	9021047004500	BURNER CONTROL			230V 50/60Hz
36	90220160020	9021078000300	SUCTION HOSE			L= 413mm
37	90220100007	9021066001700	FITTING			M10x1 for filter 3/8"M
38	90220120049	9021067009100	OGIVE			D. 6mm
39	90220230129	9021017002800	NUT			M10X1
40	90220620648	9021094134900	FILTER BRACKET			
41	90220100005	9021066001500	FITTING			3/8"M + M10x1
42	90220190012	9021086002500	OIL FILTER			3/8"F + 3/8"F 100µm w/fitting
42/1	90220650003	9021135000400	COVER			
42/2	90220800000	9021002006000	O-RING AND GASKET			replaces 9021002004200 - 9021002005100 - 9021002005300
42/3	90220800000	9021002006000	O-RING AND GASKET			replaces 9021002004200 - 9021002005100 - 9021002005300
42/5	90220800000	9021002006000	O-RING AND GASKET			replaces 9021002004200 - 9021002005100 - 9021002005300
42/4	90220190002	9021086000700	CARTRIDGE			
42/6	90220010004	9021001001900	GLASS			
43	90220100003	9021066001300	FITTING			1/4"M + BICONE
44	90220120049	9021067009100	OGIVE			D. 6mm
45	90220100006	9021066001600	FITTING			M
46	90220100006	9021066001600	FITTING			M
47	90220120049	9021067009100	OGIVE			D. 6mm
48	90220100002	9021066001200	SUCTION FITTING			
49	90220610100	9021095011800	HANDLE			BLACK RAL 9005
50	90220240033	9021090007533	GUARD			
51	90220630640	CONVGEN#MIR05511	AIR INLET			RED RAL 3000 - SPECIFY RAL IF DIFFERENT
52	90220631676	PORTISP#TOMM411	INSPECTION COVER			RED RAL 3000 - SPECIFY RAL IF DIFFERENT
53	90220630740	COPGEN#MIR05511	UPPER SHELL			RED RAL 3000 - SPECIFY RAL IF DIFFERENT
54	90220050000	9021005000100	TANK CAP			
55	90220020006	9021002002000	GASKET			122/N for hole D. 19mm
56	90220020007	9021002002100	GASKET			DL331
57	90220190005	9021086001000	FILLING FILTER			Ø 28mm
58	90220050005	9021005000900	HANDLE CAP			BLACK D. 30mm

# KAI 180 HC

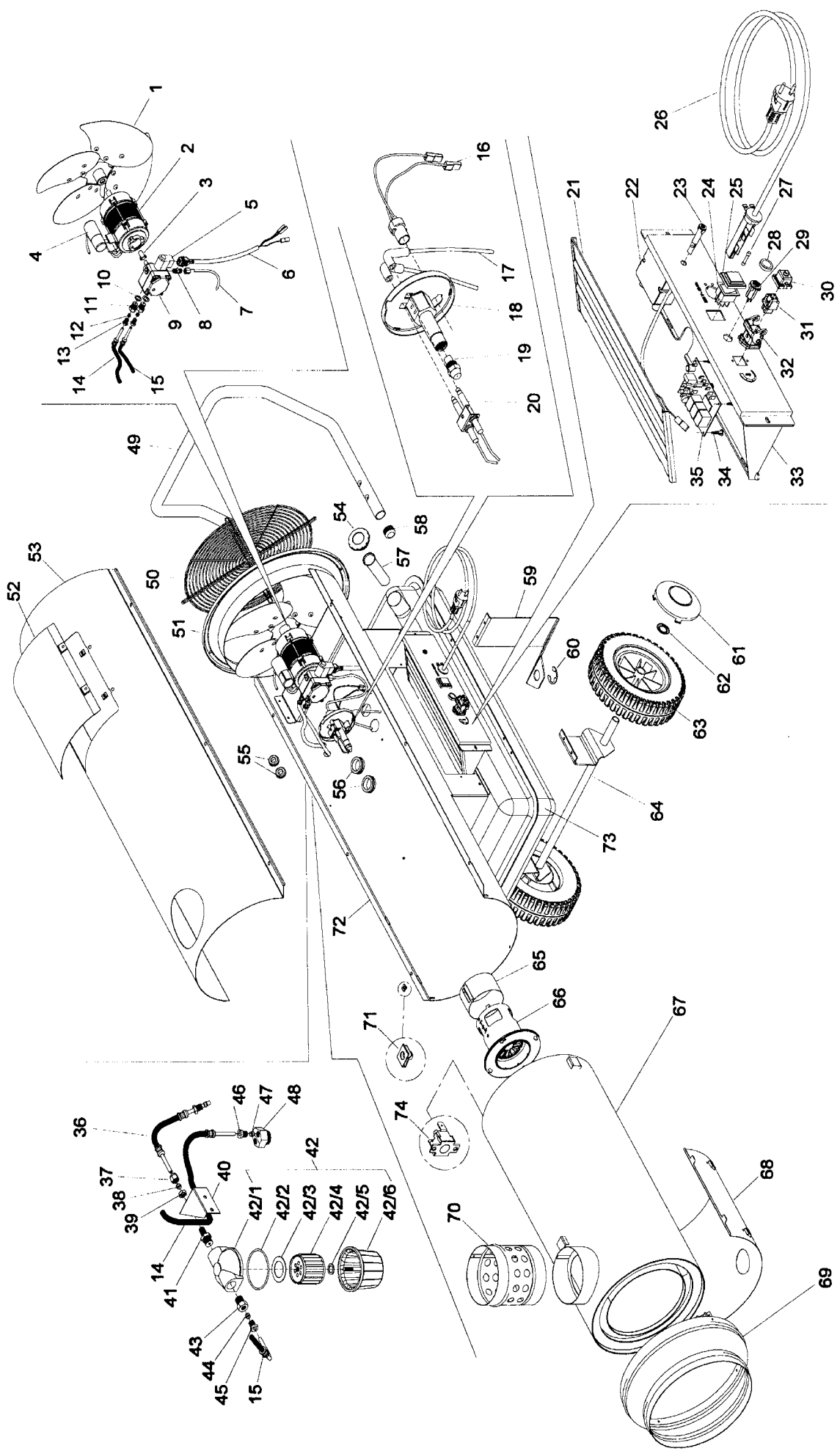




Fig.	New part No.	Old part No.	Description	From	To	Notes
59	90220630020	9021094046500	TANK SUPPORT			BLACK RAL 9005 GEN. 91 D. 24mm BLACK D. 20mm D. 260mm
60	90220230227	9021023001500	SPRING			
61	90220050015	9021005002400	WHEEL CAP			
62	90220230219	9021022000300	SEEGER RING			
63	90220040013	9021004002200	WHEEL			
64	90220630221	9021094134100	AXLE			BLACK RAL 9005 STAINLESS STEEL/INOX D. 60mm
65	90220620653	9021094135733	AIR LOCK			
66	90220620651	9021094135533	CHAMBER INLET			
67	90220090024	CAMGEN#MIR055	COMBUSTION CHAMBER			
68	90220622057	PROCAMGEN#MIR5H	CHAMBER SHIELD			
69	90220630606	CONOMIR#055A11	AIR OUTLET			RED RAL 3000 - SPECIFY RAL IF DIFFERENT  for screw M6 RED RAL 3000 - SPECIFY RAL IF DIFFERENT
70	90220620679	9021094138733	FLUE COLLAR			
71	90220230125	9021017002200	FIXING CLIP			
72	90220631009	CRPGEN#MIR05511	LOWER SHELL			
73	90220631749	SERBGEN#M020	TANK			51 LT RAL 9005 - SPECIFY RAL IF DIFFERENT 170°C
74	90220360022	1036004400	OVERHEAT THERMOSTAT			

# KAI 300 HC

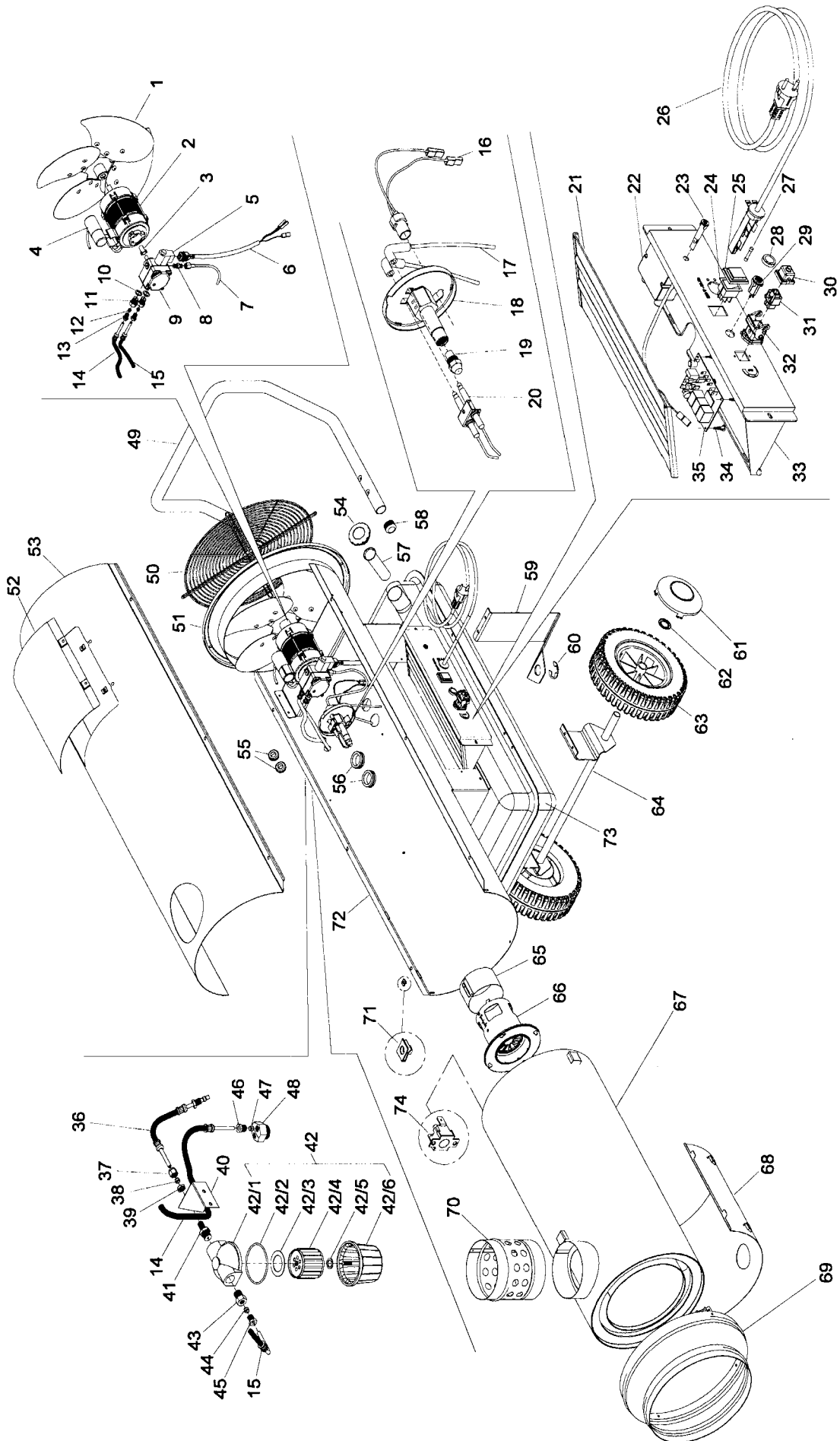


Fig.	New part No.	Old part No.	Description	From	To	Notes
1	90220200057	9021087008033	FAN			D. 500mm 33° 4P
2	90220400052	9021040012133	MOTOR			750W 230V 50Hz
3	90220010063	9021001017400	JOINT			
4	90220490029	9021049002700	CAPACITOR			20uF 450V
5	90220220006	9021089005800	COIL			BFPC 21 230V 50/60Hz
6	90220430017	9021043004500	CABLE + CONNECTOR			3x1 L= 1000mm
7	90220160000	9021076004300	MICROHOSE			L= 400mm PS= 1400bar FD1/8"gir + FD1/8"gir
8	90220120022	9021067004100	FITTING			1/8"Mcil 60° + 1/8"Mccon
9	90220220004	9021089005000	PUMP			BFPC 21 R5 230V50/60Hz 1400 giri/min 11.5 bar
10	90220230159	9021018002900	WASHER			1/4"
11	90220100003	9021066001300	FITTING			1/4" M + BICONE
12	90220120049	9021067009100	OGIVE			D. 6mm
13	90220100006	9021066001600	FITTING			M
14	90220160023	9021078000500	BACKFLOW HOSE			L= 630mm
15	90220160016	9021078000100	INFLOW HOSE			L= 320mm
16	90220500004	9021050001000	FLAME SENSOR			L= 1000mm
17	90220390250	9021039037433	HT CABLE			L= 870mm + CONNETTORE 90° w/filter 1Kohm replaces 9021039043600
18	90220620666	9021094137000	BURNER HEAD			1.50 GPH 80° W
19	90220210060	9021088014000	NOZZLE			
20	90220300010	9021030002100	ELECTRODE			
21	90220010064	9021001017500	COVER			
22	90220330010	9021033004111	TRANSFORMER			TD2LTCSF 2x12KV CM100% 230V 50/60Hz replaces 9021033004233 - 9021033004700
23	90220410002	9021041001700	POWER SUPPLY LAMP			GREEN 230V T 120°C
24	90220320003	9021032001700	ON/OFF SWITCH			
26	90220390366	CAVAL#EUR2500EURP2	POWER SUPPLY CABLE			H07RNF 3x1 L= 2500mm + EU SCHUKO PLUG D. 6.3x32 10A
27	90220350011	9021035001900	FUSE			
28	90220020012	9021002002855	CAP			24V
29	90220320022	9021032005500	RESET PUSHBUTTON			
30	90220070022	9021052006600	SOCKET CAP			3P+T
31	90220430000	9021043000400	THERMOSTAT SOCKET	jun-06		3P+T
32	90220430002	9021043000600	THERMOSTAT SOCKET CAS.			3P+T
33	90220010060	9021001017100	CONTROL PANEL			230V 50/60Hz
34	90220010048	9021001015680	SPACER			L= 447mm
35	90220470019	9021047004500	BURNER CONTROL			M10x1 for filter 3/8" M
36	90220160028	9021078001000	SUCTION HOSE			
37	90220100007	9021066001700	FITTING			
38	90220120049	9021067009100	OGIVE			D. 6mm
39	90220230129	9021017002800	NUT			M10X1
40	90220620648	9021094134900	FILTER BRACKET			
41	90220100005	9021066001500	FITTING			3/8" M + M10x1
42	90220190012	9021086002500	OIL FILTER			3/8" F + 3/8" F 100µm w/fitting
42/1	90220650003	9021135000400	COVER			
42/2	90220800000	9021002006000	O-RING AND GASKET			replaces 9021002004200 - 9021002005100 - 9021002005300
42/3	90220800000	9021002006000	O-RING AND GASKET			replaces 9021002004200 - 9021002005100 - 9021002005300
42/5	90220800000	9021002006000	O-RING AND GASKET			replaces 9021002004200 - 9021002005100 - 9021002005300
42/4	90220190002	9021086000700	CARTRIDGE			
42/6	90220010004	9021001001900	GLASS			
43	90220100003	9021066001300	FITTING			1/4" M + BICONE
44	90220120049	9021067009100	OGIVE			D. 6mm
45	90220100006	9021066001600	FITTING			M
46	90220100006	9021066001600	FITTING			M
47	90220120049	9021067009100	OGIVE			D. 6mm
48	90220100002	9021066001200	SUCTION FITTING			
49	90220610099	9021095011700	HANDLE			BLACK RAL 9005
50	90220240034	9021090007633	GUARD			
51	90220630655	CONVGEN#MIR08511	AIR INLET			RED RAL 3000 - SPECIFY RAL IF DIFFERENT
52	90220631651	PORTISP#TOMG411	INSPECTION COVER			RED RAL 3000 - SPECIFY RAL IF DIFFERENT
53	90220630754	COPGEN#MIR08511	UPPER SHELL			RED RAL 3000 - SPECIFY RAL IF DIFFERENT
54	90220050000	9021005000100	TANK CAP			
55	90220020006	9021002002000	GASKET			122/N for hole D. 19mm
56	90220020007	9021002002100	GASKET			DL331
57	90220190005	9021086001000	FILLING FILTER			Ø 28mm

# KAI 300 HC

