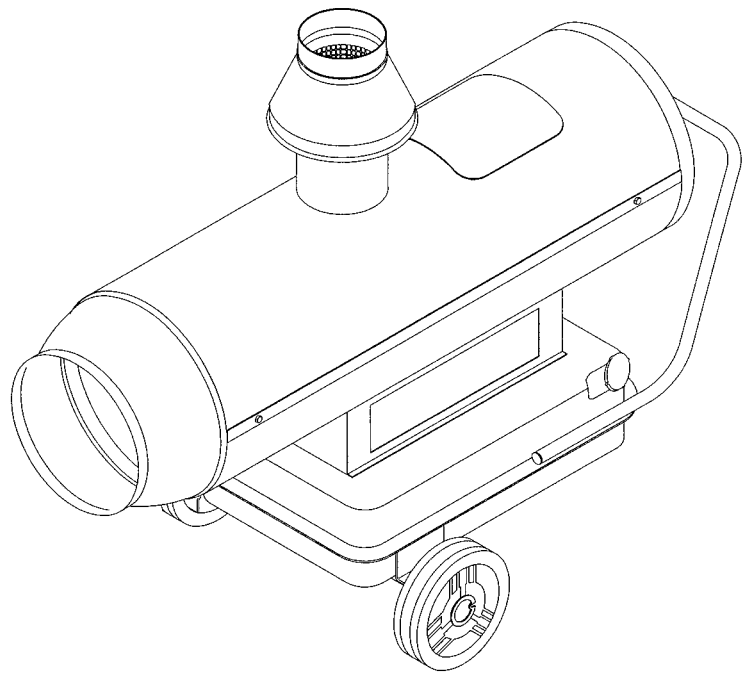
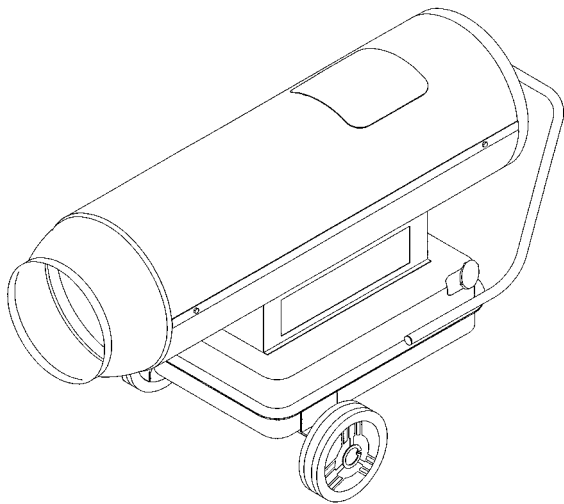


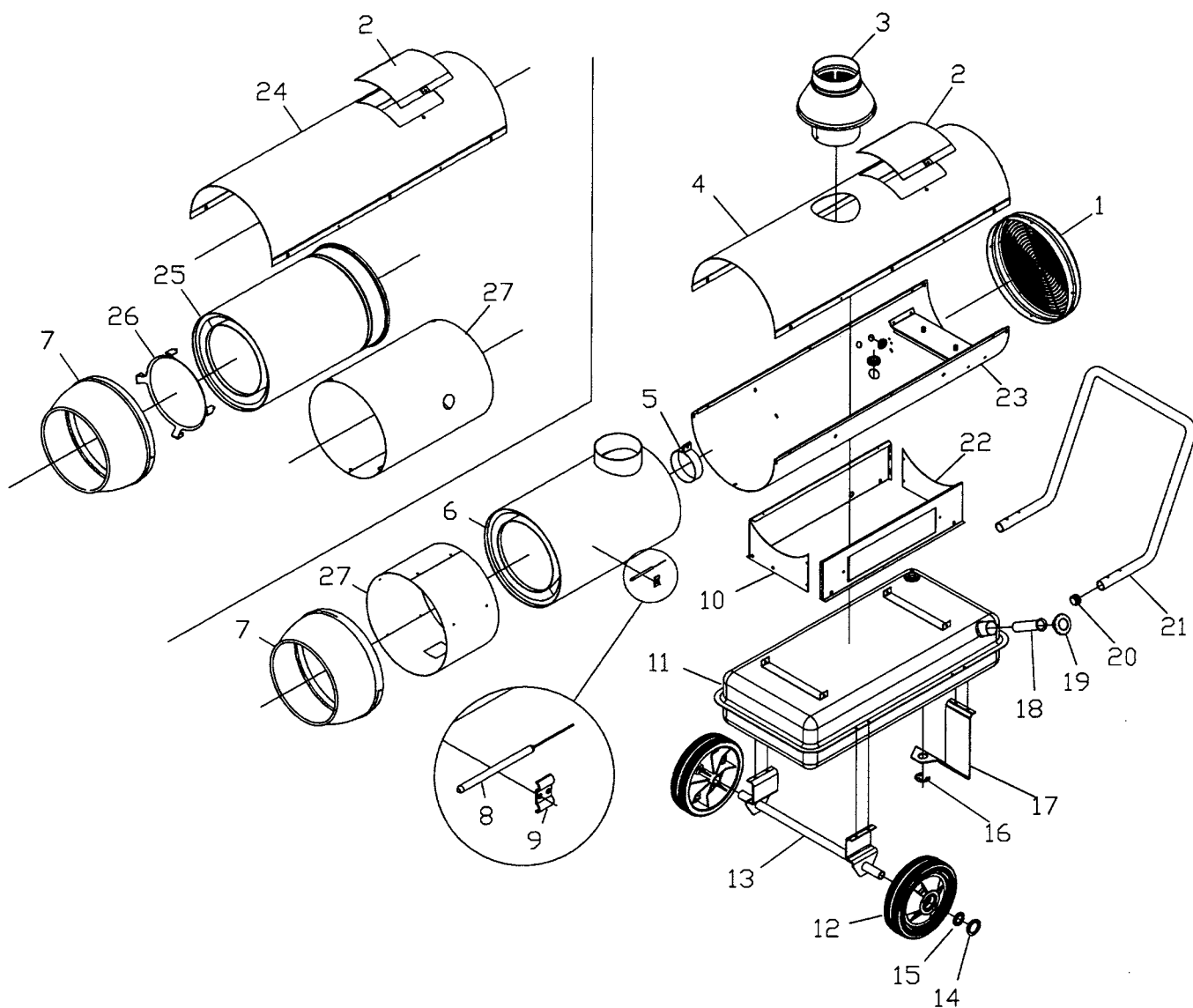
**KA 40/70**

**KAI 30/35/65**



**Reservedelsliste**  
**Spare parts list**  
**Ersatzteilliste**  
**Onderdelenlijst**  
**Liste de pièce de rechange**  
**Lista dei pezzi di ricambio**

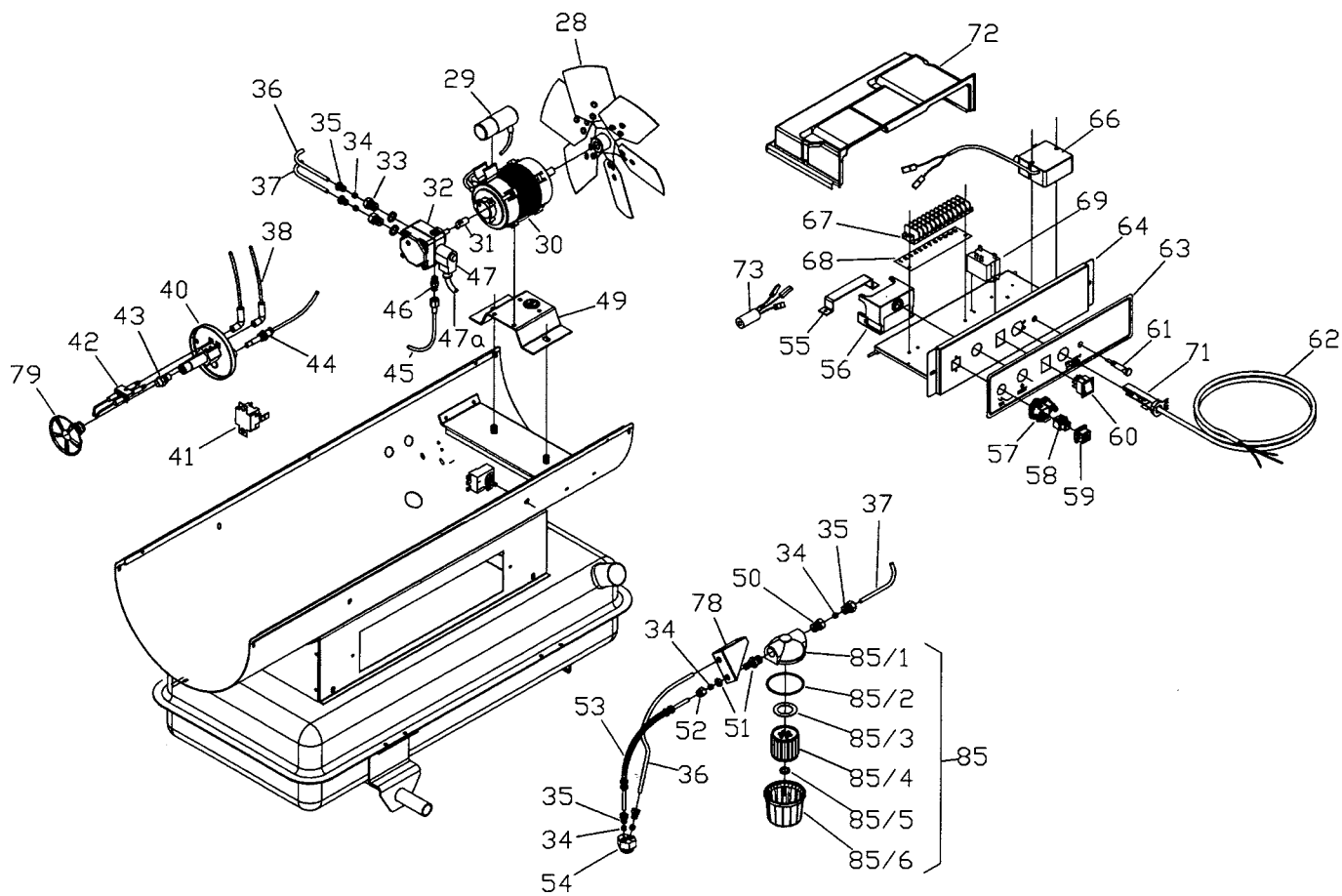
# KA 40/70 KAI 30/35/65



| Fig. | Part no.      | Pieces | Notes                          |
|------|---------------|--------|--------------------------------|
| 1    | 9021090000200 | 1      | Grill, KAI 30                  |
| 1    | 9020000000171 | 1      | Grill, KA 40 - KAI 35          |
| 1    | 9020000000170 | 1      | Grill, KA 70 - KAI 65          |
| 2    | 9020000000164 | 1      | Door, KA 40 - KAI 30/35        |
| 2    | 9020000000163 | 1      | Door, KA 70 - KAI 65           |
| 3    | 9021094001600 | 1      | Chimney, KAI 30                |
| 3    | 9021094000100 | 1      | Chimney, KAI 35/65             |
| 4    | 9021094118133 | 1      | Cover, KAI 30                  |
| 4    | 9020000000060 | 1      | Cover, KAI 35                  |
| 4    | 9020000000061 | 1      | Cover, KAI 65                  |
| 5    | 9021094001700 | 1      | Air Lock, All models           |
| 6    | 9020000000385 | 1      | Chamber, KAI 30                |
| 6    | 9020000000025 | 1      | Chamber, KAI 35                |
| 6    | 9020000000026 | 1      | Chamber, KAI 65                |
| 7    | 9020000000046 | 1      | Cone, KA 40 - KAI 30/35        |
| 7    | 9020000000045 | 1      | Cone, KA 70 - KAI 65           |
| 8    | 9021036001500 | 1      | Thermostat, All models         |
| 9    | 9021094012735 | 1      | Thermostat bracket, All models |
| 10   | 9021094118333 | 1      | Body support, KAI 30           |
| 10   | 9020000000189 | 1      | Body support, KA 40 - KAI 35   |
| 10   | 9020000000187 | 1      | Body support, KA 70 - KAI 65   |
| 11   | 9021094118533 | 1      | Tank, KAI 30                   |
| 11   | 9020000000180 | 1      | Tank, KA 40 - KAI 35           |
| 11   | 9020000000179 | 1      | Tank, KA 70 - KAI 65           |
| 12   | 9021004000500 | 2      | Wheel, KAI 30                  |
| 12   | 9021004001300 | 2      | Wheel, KA - KAI 35/65          |
| 13   | 9020000000003 | 1      | Axle, KAI 30                   |
| 13   | 9021094046700 | 1      | Axle, KA 40/70 - KAI 35/65     |
| 14   | 9021005000400 | 2      | Cap, KAI 30                    |
| 14   | 9021005002000 | 2      | Cap, KA - KAI 35/65            |
| 15   | 9021022000300 | 2      | Seeger, All models             |
| 16   | 9021023001500 | 1      | Spring, All models             |
| 17   | 9021094002600 | 1      | Foot, KAI 30                   |
| 17   | 9021094046500 | 1      | Foot, KA - KAI 35/65           |
| 18   | 9021086001000 | 1      | Filter, All models             |
| 19   | 9021005000100 | 1      | Tank cap, All models           |
| 20   | 9021005000900 | 2      | Handle cap, All models         |
| 21   | 9020000000107 | 1      | Handle, KAI 30                 |
| 21   | 9020000000106 | 1      | Handle, KA 40/70 - KAI 35/65   |
| 22   | 9021094118433 | 1      | Panel, KAI 30                  |
| 22   | 9020000000188 | 1      | Panel, KA 40 - KAI 35          |
| 22   | 9020000000186 | 1      | Panel, KA 70 - KAI 65          |
| 23   | 9021094118233 | 1      | Lower body, KAI 30             |
| 23   | 9020000000072 | 1      | Lower body, KA 40 - KAI 35     |
| 23   | 9020000000071 | 1      | Lower body, KA 70 - KAI 65     |
| 24   | 9020000000063 | 1      | Cover, KA 40                   |
| 24   | 9020000000064 | 1      | Cover, KA 70                   |
| 25   | 9020000000028 | 1      | Chamber, KA 40                 |
| 25   | 9020000000029 | 1      | Chamber, KA 70                 |
| 26   | 9021094017932 | 1      | Flame shield, KA 40            |
| 26   | 9021094018032 | 1      | Flame shield, KA 70            |
| 27   | 9020000000168 | 1      | Protection, KA 40              |
| 27   | 9020000000169 | 1      | Protection, KA 70              |
| 27   | 9021094040733 | 1      | Protection, KAI 35             |
| 27   | 9021094040833 | 1      | Protection, KAI 65             |

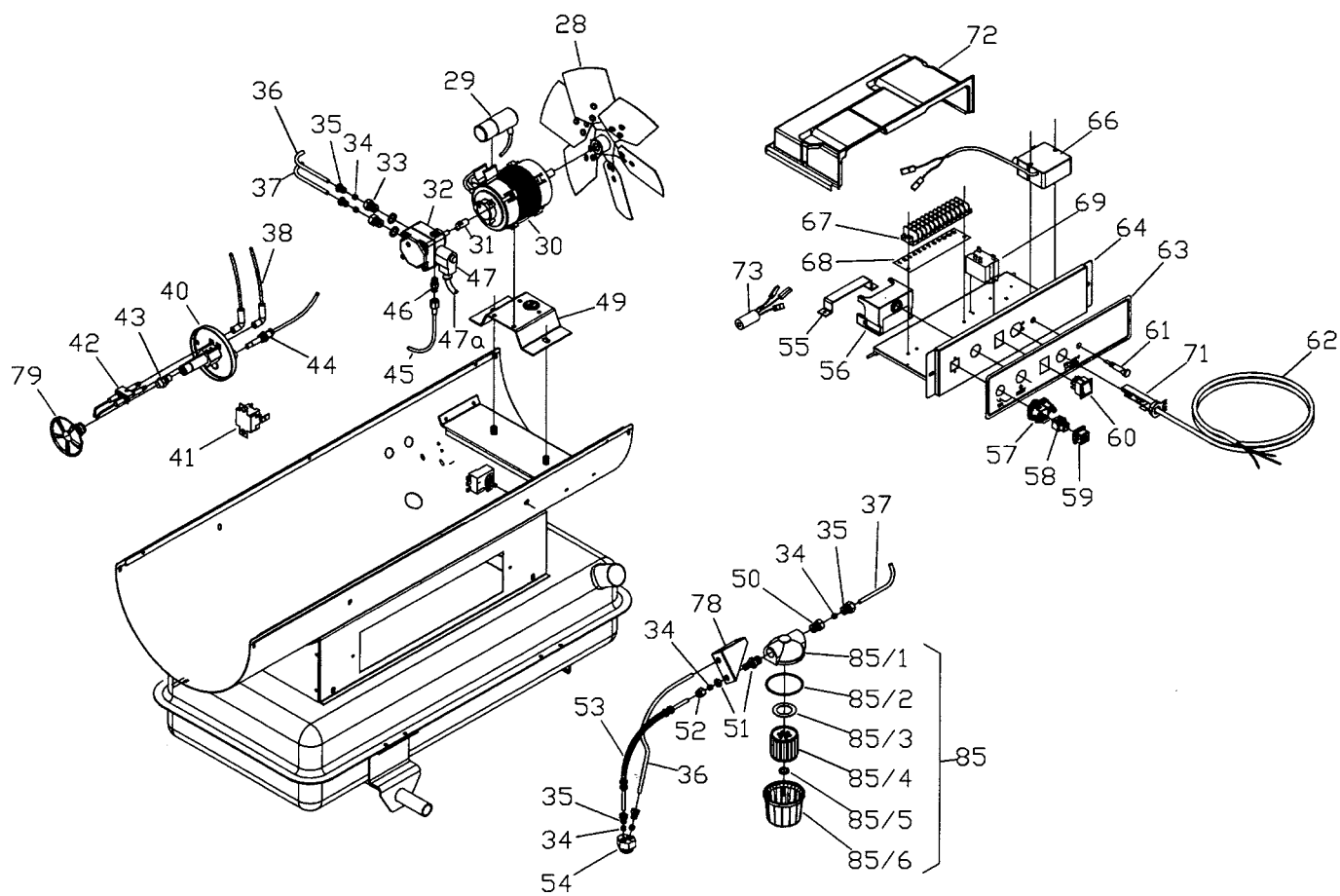
# KA 40/70

## KAI 30/35/65



| Fig. | Part no.      | Pieces | Notes                            |
|------|---------------|--------|----------------------------------|
| 28   | 9021087005133 | 1      | Ventilator, KAI 30               |
| 28   | 9021087000200 | 1      | Ventilator, KA 40 - KAI 35       |
| 28   | 9021087000100 | 1      | Ventilator, KA 70 - KAI 65       |
| 29   | 9021049001000 | 1      | Capacitor, KAI 30                |
| 29   | 9021049001100 | 1      | Capacitor, KA 40 - KAI 35        |
| 29   | 9021049001200 | 1      | Capacitor, KA 70 - KAI 65        |
| 30   | 9021040000600 | 1      | Motor, KA 40 - KAI 30/35         |
| 30   | 9021040000700 | 1      | Motor, KA 70 - KAI 65            |
| 31   | 9021001001300 | 1      | Coupling, KA 40 - KAI 30/35      |
| 31   | 9021001001400 | 1      | Coupling, KA 70 - KAI 65         |
| 32   | 9021089006400 | 1      | Pump, KAI 30                     |
| 32   | 9021089002500 | 1      | Pump, KA 40 - KAI 35             |
| 32   | 9021089005000 | 1      | Pump, KA 70 - KAI 65             |
| 33   | 9021066001300 | 1      | Fitting, All models              |
| 34   | 9021067009100 | 1      | Ogive D6, All models             |
| 35   | 9021066001600 | 1      | Nut, All models                  |
| 36   | 9021078000600 | 1      | Return hose, KA 40               |
| 36   | 9021078000500 | 1      | Return hose, KA 70               |
| 36   | 9020000000198 | 1      | Return hose, KAI 30              |
| 36   | 9020000000200 | 1      | Return hose, KAI 35/65           |
| 37   | 9021078000200 | 1      | Hose, filter-pump, KA 40         |
| 37   | 9021078000100 | 1      | Hose, filter-pump, KA 70         |
| 37   | 9020000000197 | 1      | Hose, filter-pump, KAI 30        |
| 37   | 9020000000199 | 1      | Hose, filter-pump, KAI 35/65     |
| 38   | 9021039037433 | 1      | Cable, All models                |
| 40   | 9021094002700 | 1      | Burner head, All models          |
| 41   | 9021036003800 | 1      | Fan thermostat, All models       |
| 42   | 9021030002100 | 1      | Electrode, All models            |
| 43   | 9021088013700 | 1      | Nozzle, KAI 30, 0.6 80° S        |
| 43   | 9021088000400 | 1      | Nozzle, KA 40, 1.0 80° B         |
| 43   | 9021088000300 | 1      | Nozzle, KAI 35, 0.85 80° S       |
| 43   | 9021088002600 | 1      | Nozzle, KA 70, 1.75 80° B        |
| 43   | 9021088002200 | 1      | Nozzle, KAI 65, 1.50 80° S       |
| 44   | 9021050000200 | 1      | Photocell, All Models            |
| 45   | 9021076004300 | 1      | Hose, All models                 |
| 46   | 9021067004100 | 1      | Nipple, All models               |
| 47   | 9021089004300 | 1      | Coil, All models                 |
| 47A  | 9021043004500 | 1      | Cable + Connector, All models    |
| 49   | 9021094031100 | 1      | Motor support, KAI 30            |
| 49   | 9021094030200 | 1      | Motor support, KA 40 - KAI 35    |
| 49   | 9021094047100 | 1      | Motor support, KA 70 - KAI 65    |
| 50   | 9021066001400 | 1      | Fitting, All models              |
| 51   | 9021066001500 | 1      | Fitting, All models              |
| 52   | 9021066001700 | 1      | Nut, All models                  |
| 53   | 9021078000300 | 1      | Suction hose, KA 40 - KAI 30     |
| 53   | 9021078000800 | 1      | Suction hose, KA 70 - KAI 35/65  |
| 54   | 9021066001200 | 1      | Fitting, All models              |
| 55   | 9021094061100 | 1      | Bracket, All models              |
| 56   | 9021047001100 | 1      | Flame control device, All models |
| 57   | 9021043000600 | 1      | Connector, All models            |
| 58   | 9021043000400 | 1      | Connector, All models            |
| 59   | 9021052001800 | 1      | Cap, All models                  |
| 60   | 9021032001700 | 1      | Switch, All models               |
| 61   | 9021041001700 | 1      | Control lamp, All models         |
| 62   | 9020000000382 | 1      | Cable, All models                |
| 63   | 9021105006100 | 1      | Panel label, All models          |
| 64   | 9021094054900 | 1      | Control panel, All models        |
| 66   | 9021033004233 | 1      | Transformer, All models          |
| 67   | 9021034001700 | 1      | Terminal board, All models       |
| 68   | 9021105093500 | 1      | Label, All models                |
| 69   | 9021052005500 | 1      | Relay, All models                |
| 71   | 9021035001111 | 1      | Fuse, KA 40 - KAI 30/35          |
| 71   | 9021035001211 | 1      | Fuse, KA 70 - KAI 65             |
| 72   | 9021001007500 | 1      | Cover, All models                |
| 73   | 9021052006432 | 1      | EMC Filter, All models           |
| 78   | 9021094002400 | 1      | Filter bracket, All models       |
| 79   | 9020000000091 | 1      | Deflector KAI 30/35              |

# KA 40/70 KAI 30/35/65



| <b>Fig.</b> | <b>Part no.</b> | <b>Pieces</b> | <b>Notes</b>           |
|-------------|-----------------|---------------|------------------------|
| 85          | 9021086002500   | 1             | Oil filter, All models |
| 85/1        | 9021135000400   | 1             | Cover, All models      |
| 85/2        | 9021002004200   | 1             | O-ring, All models     |
| 85/3        | 9021002005100   | 1             | Gasket, All models     |
| 85/4        | 9021086000700   | 1             | Cartridge, All models  |
| 85/5        | 9021002005300   | 1             | Ring, All models       |
| 85/6        | 9021001001900   | 1             | Glass, All models      |
|             |                 |               |                        |
|             |                 |               |                        |
|             |                 |               |                        |
|             |                 |               |                        |
|             |                 |               |                        |
|             |                 |               |                        |
|             |                 |               |                        |
|             |                 |               |                        |
|             |                 |               |                        |
|             |                 |               |                        |
|             |                 |               |                        |
|             |                 |               |                        |
|             |                 |               |                        |
|             |                 |               |                        |
|             |                 |               |                        |
|             |                 |               |                        |
|             |                 |               |                        |
|             |                 |               |                        |
|             |                 |               |                        |
|             |                 |               |                        |
|             |                 |               |                        |

