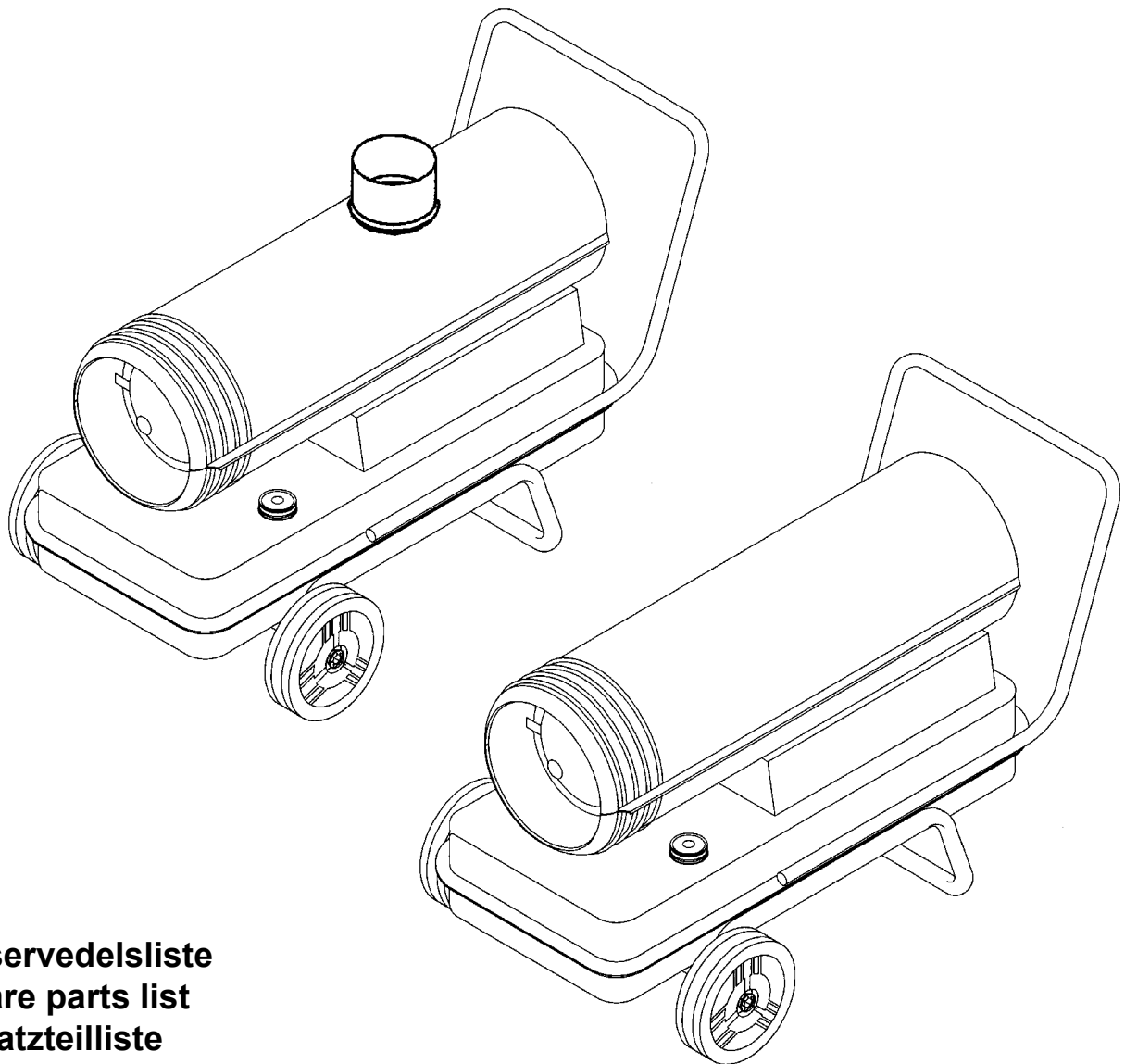


K 20/30/40 C
KAI 25 C

2008



Reservedelsliste
Spare parts list
Ersatzteilliste
Onderdelenlijst
Liste de pièce de rechange
Lista dei pezzi di ricambio

K 20 C

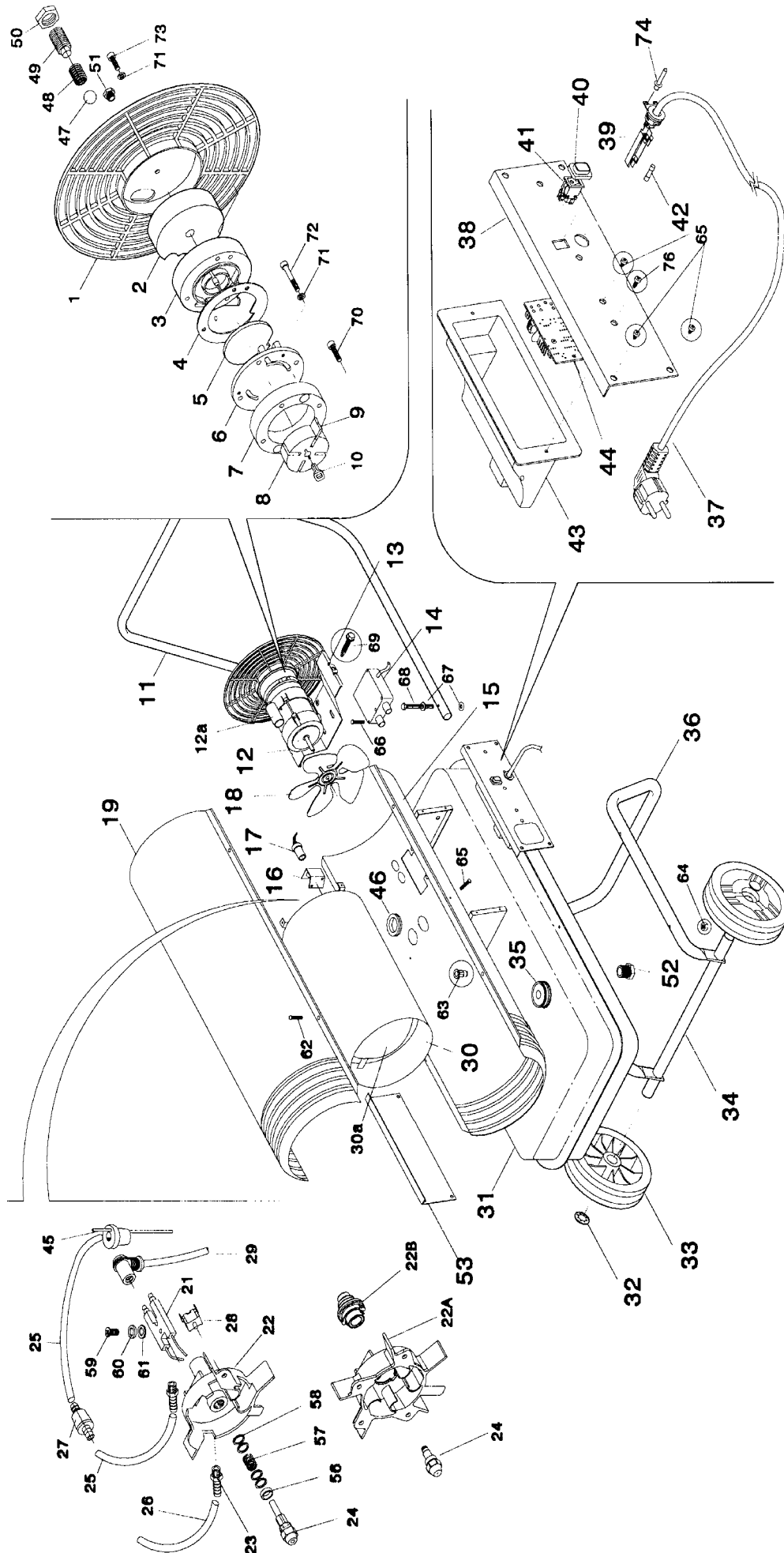


Fig.	New part No.	Old part No.	Description	From	To	Notes
1 2 3 4 5	90220010091 90220190009 90220620056 90220020003 90220190000	9021006000111 9021086001711 9021094007311 9021002001311 9021086000111	REAR GRID SUCTION FILTER FILTER PLATE GASKET OUTLET FILTER			D. 184mm
6 7	90220620055 90220620060	9021094007211 9021094008111	COMPRESSOR COVER STATOR RING	jun-07		Sp. 17.01mm replaces 9021099002811 Sp. 17mm Sp. 17mm
8 9	90220260018 90220260017	9021099001611 9021099001511	ROTOR BLADE			
10 11 12 12A 13	90220010015 90220610184 90220400014 90220490011 90220620046	9021001008211 MANT#GRY2020 9021040005411 9021049001411 9021094005911	COUPLING HANDLE MOTOR CAPACITOR MOTOR SUPPORT			L=15mm NERA RAL 9005 100W 230V 50Hz 4µF
14	90220330010	9021033004111	TRANSFORMER	jun-06		replaces 9021033001211 - 9021033003611-9021033004700 together supply n. 2 cables 90220390281 RED RAL 3000 - SPECIFY RAL IF DIFFERENT
15	#/IT	CORPOGRYP#020911	LOWER BODY		jun-06	
15	90220631105	CRPGRYP#020STD11	LOWER BODY	jun-06		RED RAL 3000 - SPECIFY RAL IF DIFFERENT
16	90220620090	9021094013111	FLAME SENSOR SUPPORT		okt-03	
16 17	90220620529 90220500001	9021094104211 9021050000311	FLAME SENSOR SUPPORT FLAME SENSOR	okt-03	okt-03	
17 18 19	90220500003 90220200022 90220630691	9021050000911 9021087003411 COPEGRYP#020STD911	FLAME SENSOR FAN UPPER BODY	jun-04	jun-06	replaces 9021050000711 D. 190mm 34° RED RAL 3000 - SPECIFY RAL IF DIFFERENT
19	90220630843	COPGRYP#020STD11	UPPER BODY	jun-06		RED RAL 3000 - SPECIFY RAL IF DIFFERENT
21 22A 22B 23 24	90220300006 90220620672 90220010059 90220120036 90220210036	9021030001111 9021094138011 9021001017011 9021067006011 9021088005811	IGNITION ELECTRODE BURNER HEAD NOZZLE HOLDER HOSE CONNECTOR NOZZLE	jun-04	jun-04 jun-04	1/8" Mcon. D.8mm SNA 0.65 GPH
24 25 26 27 28	90220210062 90220160019 90220160017 90220190010 90220360006	9021088014211 9021078000211 9021078000111 9021086001911 9021036001611	NOZZLE OIL HOSE AIR HOSE OIL SUCTION FILTER SAFETY THERMOSTAT	jun-04		SNA 0.65 GPH L=170mm L=400mm
29	90220390281	9021039041311	HT CABLE	jun-06		L=500 + PIPETTA 90° w/filter 1Kohm replaces 9021039005511 - 9021039033211-9021039033311 -9021039043500
30	90220621494	CAMERA#GRY320	COMBUSTION CHAMBER			
30A 31	90220620250 90220631787	9021094051411 SRBGRYP#020STD0702120	FLAME SHIELD TANK	jun-07		21 Lt. NERO RAL 9005 replaces SERBGRYP#020STD20 - supply cap part nr 9021005002711 D. 15mm
32	90220230221	9021022000811	WHEEL RING			
33 34 35 35 36	90220040004 90220610140 90220050018 90220620034 90220610214	9021004000611 ASSALE#GRY2020 9021005002711 9021094004311 TELAOT#GRY02020	WHEEL AXLE TANK CAP TANK CAP FRAME	jun-07	jun-07	D. 150mm NERO RAL 9005 L=445mm D. 76mm NERO ERMETICO D. 55mm NERO RAL 9005
37	90220390357	CAVAL#EUR1500EURP2	POWER CORD			H07RNF 3x1 L=1500mm + EU SCHUKO PLUG
37	90220390363	CAVAL#EUR1500UKSP2	POWER CORD			H07RNF 3x1 L=1500mm + UK PLUG
37	90220390361	CAVAL#EUR1500SUIP2	POWER CORD			H07RNF 3x1 L=1500mm + SUI PLUG
38 38 39 41 42	90220621794 90220621796 90220310010 90220320005 90220350006	CRUSCGRYP#020F20 CRUSCGRYP#020N20 1031001800 9021032001900 9021035001111	LEFT SIDE PANEL LEFT SIDE PANEL CABLE CLAMP SWITCH FUSE	jun-02	jun-02	NERO NERO 3.15A
43 44 44 45 46 47 48	90220010012 90220470004 90220470013 90220020019 90220020007 90220230229 90220230234	9021001007736 9021047000811 9021047003611 9021002005711 9021002002100 9021023002411 9021023004511	ELECTRICAL PANEL COVER CONTROL UNIT CONTROL UNIT SUCTION GASKET RUBBER RING BALL SPRING	jun-02	jun-02	230V 50Hz D. 6mm IN C40

K 20 C

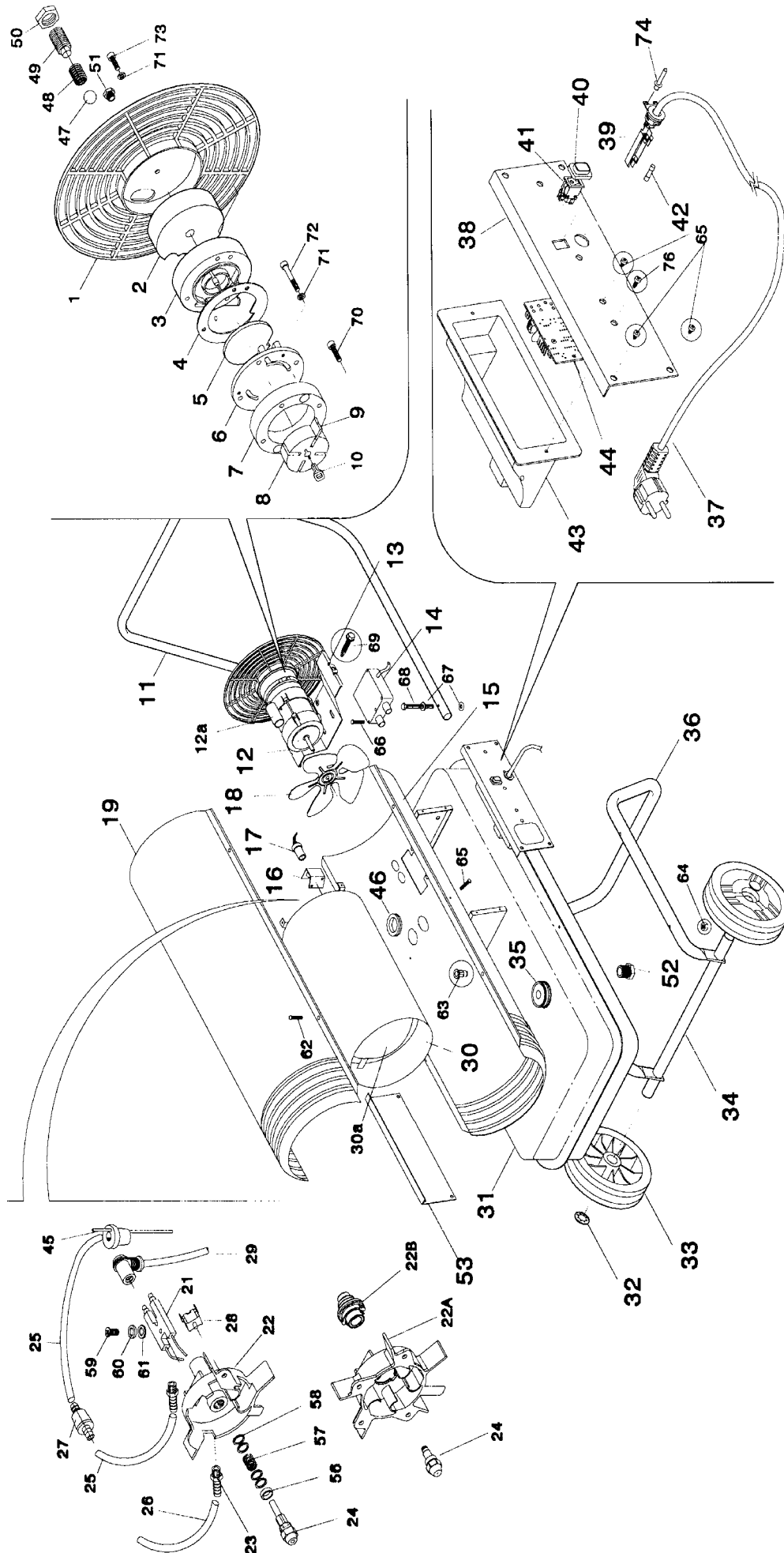


Fig.	New part No.	Old part No.	Description	From	To	Notes
49	90220230230	9021023002511	ADJUSTING SCREW			GRANO M8x1 L=20mm M8x1 ZN UNI 5589 8 T.E. 1/8Mcil. T.E. 3/8"Mcil. T.E. 3/8"Mcil.
50	90220230124	9021017002111	NUT			
51	90220120039	9021067006911	CAP			
52	90220120040	9021067007000	DRAIN CAP			
52	90220120040	9021067007000	DRAIN CAP			
53	90220621792	CRUSCGRYP#020C20	SIDE PANEL			NERO
56	90220020001	9021002001111	NOZZLE RUBBER RING		jun-04	
57	90220230232	9021023004111	NOZZLE SPRING		jun-04	
58	90220230145	9021018001311	WASHER		jun-04	D. 6.5X10 ZN UNI 6593
59	90220230044	9021016006000	SCREW			T.C.C. M4x16 ZN ISO 7045 4.8
60	90220230143	9021018001000	WASHER			M4 ZN UNI 8842-A
61	90220230143	9021018001000	WASHER			M4 ZN UNI 8842-A
62	90220230037	9021016005211	SCREW			T.C.C. M5x10 ZN ISO 7045 4.8
63	90220230184	9021019001600	RIVET			M5
64	90220230113	9021017000600	NUT			M5 ZN UNI 5588 8
65	90220230012	9021016001600	SCREW			T.C.C. D. 3.9x6.5
66	90220230042	9021016005711	SCREW			T.C.C. D. 4.8x38 ZN ISO 7049
67	90220230142	9021018000800	WASHER			x M5 ZN ISO 7089
68	90220230000	9021016000100	SCREW			T.E. M5x50 ZN ISO 4017 8.8
69	90220230075	9021016010200	SCREW			AUTOPERF.T.E. D. 4.8x16 ZN UNI 8117
70	90220230035	9021016005011	SCREW			T.C.E.I. M5x20 ZN DIN 7984 8.8
71	90220230148	9021018001600	WASHER			GROWER x M5 DIN 127
72	90220230036	9021016005100	SCREW			T.C.E.I. M5x35 ZN ISO 4762 8.8
73	90220230058	9021016007700	SCREW			T.C.E.I. M5x16 ZN ISO 4762 8.8
74	90220230194	9021019002800	RIVET			D. 4.0x9.5
76	90220230013	9021016001700	SCREW			AUTOFIL. T.C.C. D. 3.9x9.5 ZN ISO 7049
	90220621845	GRCOMPGRYP#020EST	COMPRESSOR ASSY			

K 30 C

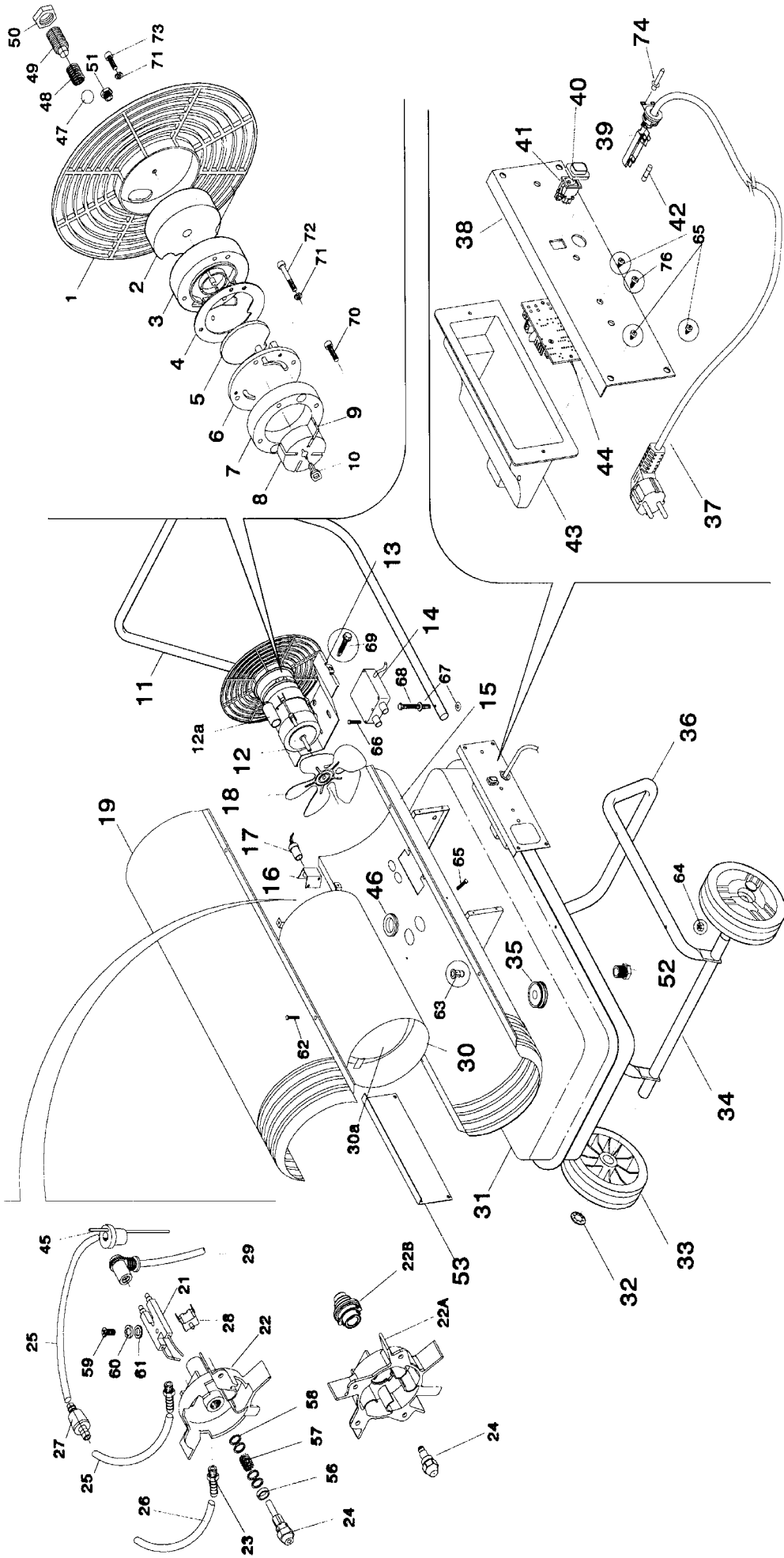


Fig.	New part No.	Old part No.	Description	From	To	Notes
1 2 3 4 5	90220010092 90220190009 90220620056 90220020003 90220190000	9021006000211 9021086001711 9021094007311 9021002001311 9021086000111	REAR GRID SUCTION FILTER FILTER CASING GASKET OUTLET FILTER			D. 210mm
6 7	90220620055 90220620060	9021094007211 9021094008111	COMPRESSOR COVER STATOR RING	jun-07		Sp. 17.01mm replaces 9021099002811
8 9	90220260018 90220260017	9021099001611 9021099001511	ROTOR BLADE			Sp. 17mm Sp. 17mm
10 11 12 12A 13 14	90220010015 90220610185 90220400015 90220490008 90220620047 90220330010	9021001008211 MANT#GRY2820 9021040005511 9021049001000 9021094006011 9021033004111	COUPLING HANDLE MOTOR CAPACITOR MOTOR SUPPORT TRANSFORMER	jun-06		L=15mm NERA RAL 9005 150W 230V 50Hz 6,3µF replaces 9021033001211 - 9021033003611-9021033004700 together supply n. 2 cables 90220390281
15	90220630080	9021094080511	LOWER BODY		jun-06	RED RAL 3000 - SPECIFY RAL IF DIFFERENT
15	90220631115	CRPGRYP#028STD11	LOWER BODY	jun-06		RED RAL 3000 - SPECIFY RAL IF DIFFERENT
16	90220620090	9021094013111	FLAME SENSOR SUPPORT		okt-03	
16 17 17 18 19	90220620529 90220500001 90220500003 90220200023 90220630704	9021094104211 9021050000311 9021050000911 9021087003511 COPERGRYP#028STD911	FLAME SENSOR SUPPORT FLAME SENSOR FLAME SENSOR FAN UPPER BODY	okt-03 jun-05	okt-03 jun-06	replaces 9021050000711 D. 210mm 34° RED RAL 3000 - SPECIFY RAL IF DIFFERENT
19	90220630863	COPGRYP#028STD11	UPPER BODY	jun-06		RED RAL 3000 - SPECIFY RAL IF DIFFERENT
21 22A 22B	90220300006 90220620672 90220010059	9021030001111 9021094138011 9021001017011	IGNITION ELECTRODE BURNER HEAD NOZZLE HOLDER	jun-04		
23 24 24 25 26	90220120036 90220210035 90220210063 90220160030 90220160021	9021067006011 9021088005711 9021088014311 9021078001611 9021078000311	HOSE CONNECTOR NOZZLE NOZZLE OIL HOSE AIR HOSE	jun-04	jun-04 jun-04	1/8" Mcon. D.8mm SNA 0.75 GPH SNA 0.75 GPH L=200mm L=480mm
27 28 29	90220190010 90220360006 90220390281	9021086001911 9021036001611 9021039041311	OIL SUCTION FILTER SAFETY THERMOSTAT HT CABLE	jun-06		L=500 + PIPETTA 90° w/filter 1Kohm replaces 9021039005511 -9021039033211-9021039033311 -9021039043500
30 30A 31	90220621496 90220620251 90220631789	CAMERA#GRY328 9021094051511 SRBGRYP#028STD0703020	COMBUSTION CHAMBER FLAME SHIELD TANK	jun-07		30 Lt. NERO RAL 9005 replaces SERBGRYP#028STD20 - supply cap part nr 9021005002711
32 33 34 35 35	90220230222 90220040002 90220610142 90220050018 90220620034	9021022000911 9021004000311 ASSALE#GRY2820 9021005002711 9021094004311	WHEEL RING WHEEL AXLE TANK CAP TANK CAP	jun-07	jun-07	D. 20mm D. 175mm NERO RAL 9005 L=485mm D. 76mm NERO ERMETICO D. 55mm
36 37	90220610215 90220390357	TELA IOT#GRY02820 CAVAL#EUR1500EURP2	FRAME POWER CORD			NERO RAL 9005 H07RNF 3x1 L=1500mm + EU SCHUKO PLUG H07RNF 3x1 L=1500mm + UK PLUG
37	90220390363	CAVAL#EUR1500UKSP2	POWER CORD			
37	90220390361	CAVAL#EUR1500SUIP2	POWER CORD			H07RNF 3x1 L=1500mm + SUI PLUG
38 38 39	90220631180 90220621803 90220310010	CRUSCGRYP#028F20 CRUSCGRYP#028N20 9021031001800	LEFT SIDE PANEL LEFT SIDE PANEL CABLE CLAMP	jun-02	jun-02	NERO NERO
41 42 43 44 44	90220320005 90220350006 90220010012 90220470004 90220470013	9021032001900 9021035001111 9021001007736 9021047000811 9021047003611	SWITCH FUSE ELECTRICAL PANEL COVER CONTROL UNIT CONTROL UNIT	jun-02	jun-02	3.15A 230V 50Hz
45 46 47 48 49	90220020019 90220020007 90220230229 90220230234 90220230230	9021002005711 9021002002100 9021023002411 9021023004511 9021023002511	SUCTION GASKET RUBBER RING BALL SPRING ADJUSTING SCREW			D. 6mm IN C40 GRANO M8x1 L=20mm

K 30 C

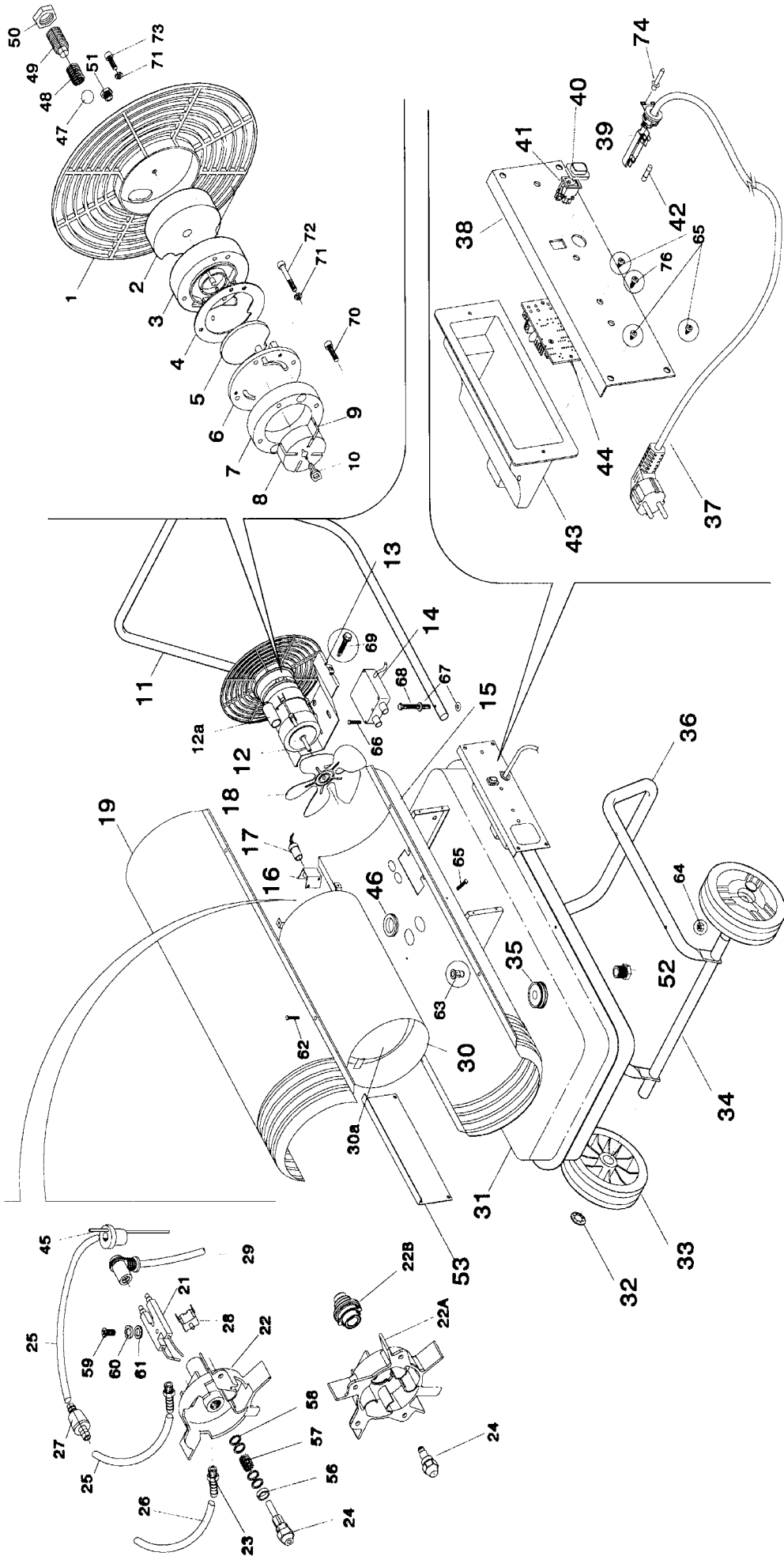


Fig.	New part No.	Old part No.	Description	From	To	Notes
50	90220230124	9021017002111	NUT			M8x1 ZN UNI 5589 8
51	90220120039	9021067006911	CAP			T.E. 1/8Mcil.
52	90220120040	9021067007000	DRAIN CAP			T.E. 3/8Mcil.
53	90220621800	CRUSCGRYP#028C20	SIDE PANEL			NERO
56	90220020001	9021002001111	NOZZLE RUBBER RING		jun-04	
57	90220230232	9021023004111	NOZZLE SPRING		jun-04	
58	90220230145	9021018001311	WASHER		jun-04	D. 6.5X10 ZN UNI 6593
59	90220230044	9021016006000	SCREW			T.C.C. M4x16 ZN ISO 7045 4.8
60	90220230143	9021018001000	WASHER			M4 ZN UNI 8842-A
61	90220230143	9021018001000	WASHER			M4 ZN UNI 8842-A
62	90220230037	9021016005211	SCREW			T.C.C. M5x10 ZN ISO 7045 4.8
63	90220230184	9021019001600	RIVET			M5
64	90220230113	9021017000600	NUT			M5 ZN UNI 5588 8
65	90220230012	9021016001600	SCREW			T.C.C. D. 3.9x6.5
66	90220230042	9021016005711	SCREW			T.C.C. D. 4.8x38 ZN ISO 7049
67	90220230142	9021018000800	WASHER			x M5 ZN ISO 7089
68	90220230000	9021016000100	SCREW			T.E. M5x50 ZN ISO 4017 8.8
69	90220230075	9021016010200	SCREW			replaces 9021016004500
70	90220230035	9021016005011	SCREW			- AUTOPERF.T.E. D. 4.8x16 T.C.E.I. M5x20 ZN DIN 7984 8.8
71	90220230148	9021018001600	WASHER			GROWER x M5 DIN 127
72	90220230036	9021016005100	SCREW			T.C.E.I. M5x35 ZN ISO 4762 8.8
73	90220230058	9021016007700	SCREW			T.C.E.I. M5x16 ZN ISO 4762 8.8
74	90220230194	9021019002800	RIVET			D. 4.0x9.5
76	90220230013	9021016001700	SCREW			AUTOFIL. T.C.C. D. 3.9x9.5 ZN ISO 7049
	90220621848	GRCOMPRGRYP#028EST	COMPRESSOR ASSY			

K 40 C

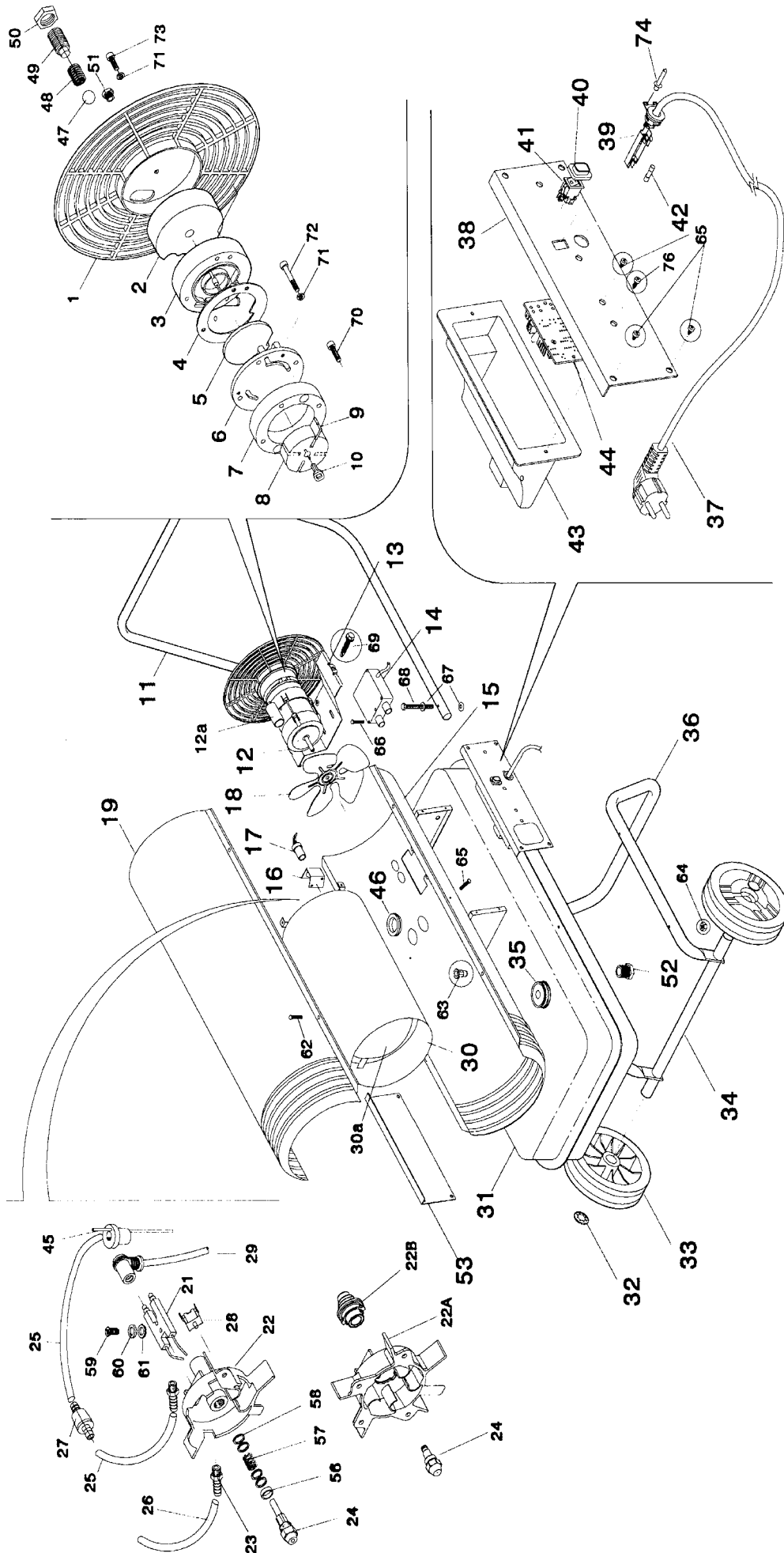


Fig.	New part No.	Old part No.	Description	From	To	Notes
1	90220010093	9021006000311	REAR GRID			
2	90220190009	9021086001711	AIR SUCTION FILTER			
3	90220620056	9021094007311	FILTER CASING			
4	90220020003	9021002001311	GASKET			
5	90220190000	9021086000111	AIR OUTLET FILTER			
6	90220620055	9021094007211	COMPRESSOR COVER	jun-07		Sp. 21.01mm
7	90220620061	9021094008211	STATOR RING			replaces 9021099002911
8	90220260020	9021099001811	ROTOR			Sp. 21mm
9	90220260016	9021099001411	BLADE			Sp. 21mm
10	90220010016	9021001008311	COUPLING			L=19mm
11	90220610186	MANT#GRY4020	HANDLE			NERA RAL 9005
12	90220400016	9021040005611	MOTOR			250W 230V 50Hz
12A	90220490008	9021049001000	CAPACITOR			6.3 mF
13	90220620048	9021094006111	MOTOR SUPPORT			
14	90220330010	9021033004111	TRANSFORMER	jun-06		replaces 9021033001211 - 9021033003611-9021033004700 together supply n. 2 cables 90220390281
15	90220630077	9021094077811	LOWER BODY		jun-06	RED RAL 3000 - SPECIFY RAL IF DIFFERENT
15	90220631136	CRPGRYP#040STD11	LOWER BODY	jun-06		RED RAL 3000 - SPECIFY RAL IF DIFFERENT
16	90220620090	9021094013111	FLAME SENSOR SUPPORT		okt-03	
16	90220620529	9021094104211	FLAME SENSOR SUPPORT	okt-03		
17	90220500001	9021050000311	FLAME SENSOR		okt-03	
17	90220500003	9021050000911	FLAME SENSOR	jun-05		replaces 9021050000711
18	90220200024	9021087003611	FAN			D. 254mm 34°
19	90220630714	COPERGRYP#040STD911	UPPER BODY		jun-06	RED RAL 3000 - SPECIFY RAL IF DIFFERENT
19	90220630884	COPGRYP#040STD11	UPPER BODY	jun-06		RED RAL 3000 - SPECIFY RAL IF DIFFERENT
21	90220300006	9021030001111	IGNITION ELECTRODE			
22A	90220620672	9021094138011	BURNER HEAD			
22B	90220010059	9021001017011	NOZZLE HOLDER	jun-04		
23	90220120036	9021067006011	HOSE CONNECTOR		jun-04	1/8" Mcon. D. 8mm
24	90220210037	9021088005911	NOZZLE		jun-04	SNA 1.00 GPH
24	90220210064	9021088014411	NOZZLE			SNA 1.00 GPH
25	90220160019	9021078000211	OIL HOSE			L=170mm
26	90220160021	9021078000311	AIR HOSE			L=480mm
27	90220190010	9021086001911	OIL SUCTION FILTER			
28	90220360006	9021036001611	SAFETY THERMOSTAT			
29	90220390281	9021039041311	HT CABLE	jun-06		L=500 + PIPETTA 90° w/filter 1Kohm replaces 9021039005511 -9021039033211-9021039033311 -9021039043500
30	90220621497	CAMERA#GRY340	COMBUSTION CHAMBER			
30A	90220620333	9021094063811	FLAME SHIELD			
31	90220631792	SRBGRYP#040STD0704620	TANK	jun-07		46 Lt. NERO RAL 9005 replaces SERBGRYP#040STD20 - supply cap part nr 9021005002711 D. 20mm
32	90220230222	9021022000911	WHEEL RING			
33	90220040001	9021004000200	WHEEL			D. 200mm
34	90220610143	ASSALE#GRY4020	AXLE			NERO RAL 9005 L=560mm
35	90220050018	9021005002711	FILLING CAP	jun-07		D. 76mm NERO ERMETICO
35	90220620034	9021094004311	FILLING CAP		jun-07	D. 55mm
36	90220610216	TELAIOT#GRY04020	FRAME			NERO RAL 9005
37	90220390357	CAVAL#EUR1500EURP2	POWER CORD			H07RNF 3x1 L=1500mm + EU SCHUKO PLUG
37	90220390363	CAVAL#EUR1500UKSP2	POWER CORD			H07RNF 3x1 L=1500mm + UK PLUG
37	90220390361	CAVAL#EUR1500SUIP2	POWER CORD			H07RNF 3x1 L=1500mm + SUI PLUG
38	90220631180	CRUSCGRYP#028F20	LEFT SIDE PANEL		jun-02	NERO RAL 9017
38	90220621803	CRUSCGRYP#028N20	LEFT SIDE PANEL	jun-02		NERO
39	90220310010	9021031001800	CABLE CLAMP			
41	90220320005	9021032001900	SWITCH			
42	90220350007	9021035001211	FUSE			5A
43	90220010012	9021001007736	ELECTRICAL PANEL COVER			
44	90220470004	9021047000811	CONTROL UNIT		jun-02	230V 50Hz
44	90220470013	9021047003611	CONTROL UNIT	jun-02		230V 50Hz
45	90220020019	9021002005711	SUCTION GASKET			
46	90220020007	9021002002100	RUBBER RING			
47	90220230229	9021023002411	BALL			D. 6mm IN C40
48	90220230234	9021023004511	SPRING			
49	90220230230	9021023002511	ADJUSTING SCREW			GRANO M8x1 L=20mm

K 40 C

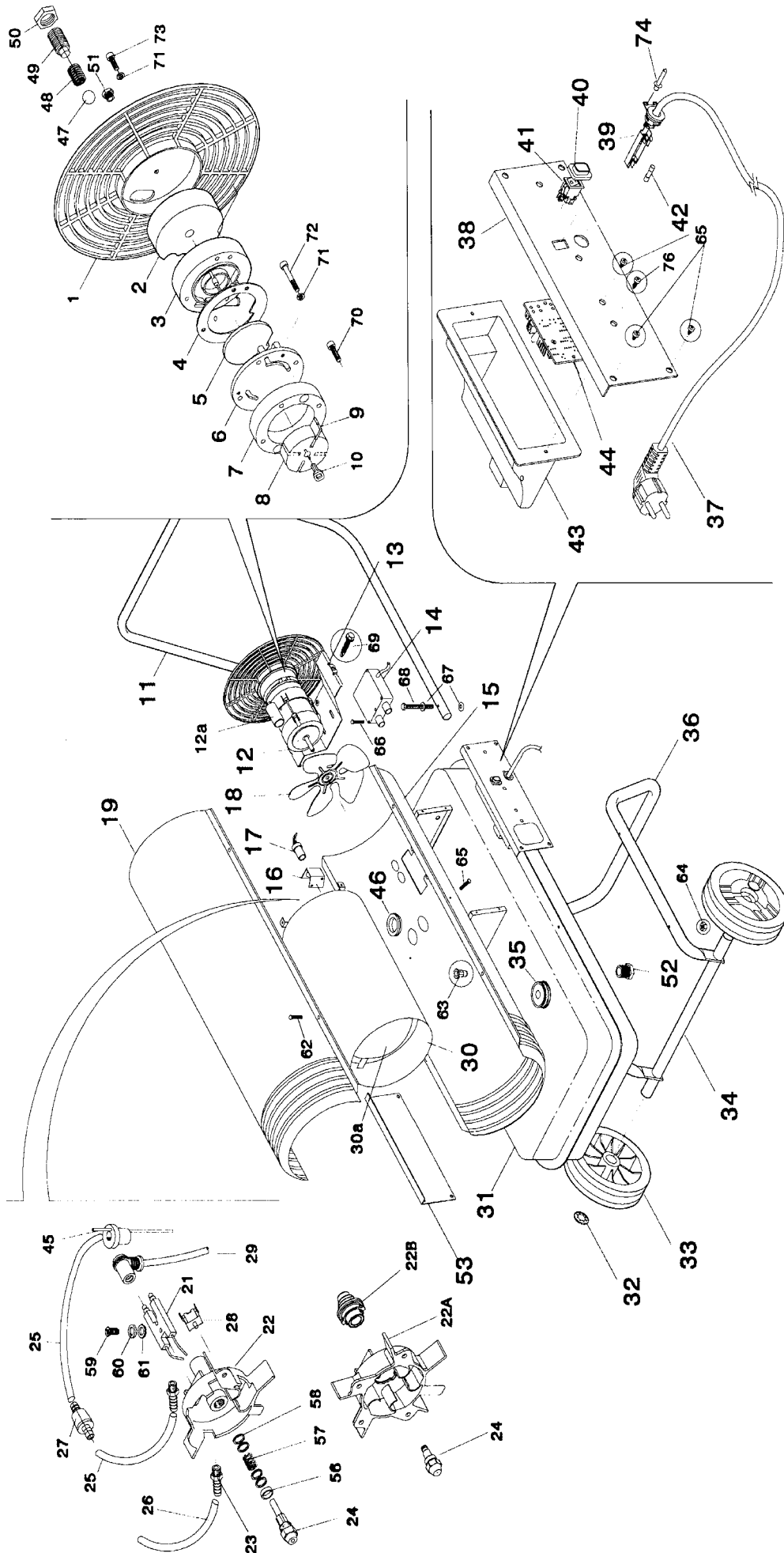


Fig.	New part No.	Old part No.	Description	From	To	Notes
50	90220230124	9021017002111	NUT			M8x1 ZN UNI 5589 8
51	90220120039	9021067006911	CAP			T.E. 1/8Mcil.
52	90220120040	9021067007000	DRAIN CAP			T.E. 3/8Mcil.
53	90220621800	CRUSCGRYP#028C20	SIDE PANEL			NERO
56	90220020001	9021002001111	NOZZLE RUBBER RING			
57	90220230232	9021023004111	NOZZLE SPRING			
58	90220230145	9021018001311	WASHER			D. 6.5X10 ZN UNI 6593
59	90220230044	9021016006000	SCREW			T.C.C. M4x16 ZN ISO 7045 4.8
60	90220230143	9021018001000	WASHER			M4 ZN UNI 8842-A
61	90220230143	9021018001000	WASHER			M4 ZN UNI 8842-A
62	90220230037	9021016005211	SCREW			T.C.C. M5x10 ZN ISO 7045 4.8
63	90220230184	9021019001600	RIVET			M5
64	90220230113	9021017000600	NUT			M5 ZN UNI 5588 8
65	90220230012	9021016001600	SCREW			T.C.C. D. 3.9x6.5
66	90220230042	9021016005711	SCREW			T.C.C. D. 4.8x38 ZN ISO 7049
67	90220230142	9021018000800	WASHER			x M5 ZN ISO 7089
68	90220230000	9021016000100	SCREW			T.E. M5x50 ZN ISO 4017 8.8
69	90220230075	9021016010200	SCREW			replaces 9021016004500
70	90220230035	9021016005011	SCREW			- AUTOPERF.T.E. D. 4.8x16
71	90220230148	9021018001600	WASHER			T.C.E.I. M5x20 ZN DIN 7984 8.8 GROWER x M5 DIN 127
72	90220230036	9021016005100	SCREW			T.C.E.I. M5x35 ZN ISO 4762 8.8
73	90220230058	9021016007700	SCREW			T.C.E.I. M5x16 ZN ISO 4762 8.8
74	90220230194	9021019002800	RIVET			D. 4.0x9.5
76	90220230013	9021016001700	SCREW			AUTOFIL. T.C.C. D. 3.9x9.5 ZN ISO 7049
	90220621852	GRCOMPRGRYP#040EST	COMPRESSOR ASSY			

KAI 25 C

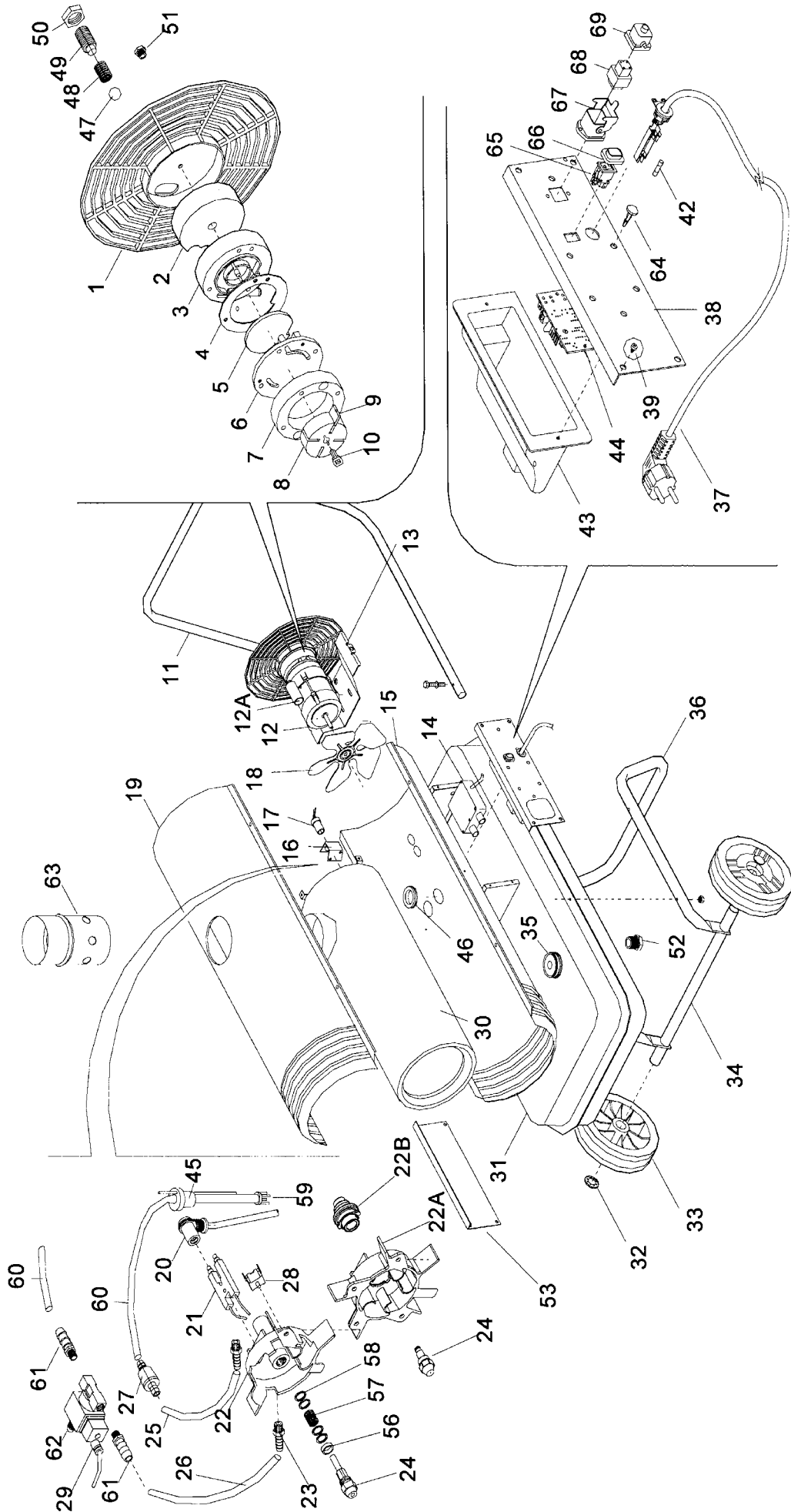


Fig.	New part No.	Old part No.	Description	From	To	Notes
1 2 3 4 5	90220010093 90220190009 90220620056 90220020003 90220190000	9021006000311 9021086001711 9021094007311 9021002001311 9021086000111	REAR GUARD AIR INLET FILTER FILTER CASING GASKET AIR OUTLET FILTER			D. 262mm
6 7	90220620055 90220620061	9021094007211 9021094008211	COMPRESSOR COVER STATOR RING	jun-07		Sp. 21.01mm replaces 9021099002911 Sp. 21mm Sp. 21mm
8 9	90220260020 90220260016	9021099001811 9021099001411	ROTOR BLADE			
10 11 12 12A 13 14	90220010016 90220610186 90220400016 90220490008 90220620048 0220330010	9021001008311 MANT#GRY4020 9021040005611 9021049001000 9021094006111 9021033004111	JOINT HANDLE MOTOR CAPACITOR MOTOR SUPPORT TRANSFORMER	jun-06		L=19mm BLACK RAL 9005 250W 230V 50Hz 6.3 mF replaces 9021033001211 - 9021033003611-9021033004700 together supply n. 2 cables 90220390281
15	90220630077	9021094077811	LOWER CASING		jun-06	RED RAL 3000 - SPECIFY RAL IF DIFFERENT
15	90220631136	CRPGRYP#040STD11	LOWER CASING	jun-06		RED RAL 3000 - SPECIFY RAL IF DIFFERENT
16	90220620090	9021094013111	FLAME SENSOR SUPPORT		okt-03	
16 17 17 18 19	90220620529 90220500001 90220500003 90220200045 90220630078	9021094104211 9021050000311 9021050000911 9021087006111 9021094078011	FLAME SENSOR SUPPORT FLAME SENSOR FLAME SENSOR FAN UPPER CASING	okt-03 jun-04	okt-03 jun-06	replaces 9021050000711 D. 254mm 30° RED RAL 3000 - SPECIFY RAL IF DIFFERENT
19	90220630853	COPGRYP#025APS11	UPPER CASING	jun-06		RED RAL 3000 - SPECIFY RAL IF DIFFERENT
20	90220390281	9021039041311	HT CABLE	jun-06		L=500 + PIPETTA 90° w/filter 1Kohm replaces 9021039005511 -9021039033211-9021039033311 -9021039043500
21 22A 22B 23 24	90220300006 90220620672 90220010059 90220120036 90220210035	9021030001111 9021094138011 9021001017011 9021067006011 9021088005711	IGNITION ELECTRODE BURNER HEAD NOZZLE HOLDER HOSE HOLDER NOZZLE		jun-04 jun-04	1/8" Mcon. D. 8mm SNA 0.75 GPH
24 25 26 27 28	90220210063 90220160019 90220160030 90220190010 90220360006	9021088014311 9021078000211 9021078001611 9021086001911 9021036001611	NOZZLE HOSE HOSE OIL SUCTION FILTER SAFETY THERMOSTAT	jun-04		SNA 0.75 GPH L=170 mm L=230 mm
29 30 31	90220430008 90220090015 90220631792	9021043002655 CAMGEN#GRY025 SRBGRYP#040STD0704620	CABLE + CONNECTOR COMBUSTION CHAMBER TANK	jun-07		(1/4) + CABLE 3x0.75 L=600mm 46 Lt. BLACK RAL 9005 replaces SERBGRYP#040STD20 - supply cap part nr 9021005002711
32 33 34 35 35	90220230222 90220040001 90220610143 90220050018 90220620034	9021022000911 9021004000200 ASSALE#GRY4020 9021005002711 9021094004311	WHEEL RING WHEEL AXLE FILLING CAP FILLING CAP	jun-07	jun-07	D. 20mm D. 200mm BLACK RAL 9005 L=560mm D.76 BLACK FUEL TIGHT D. 55mm
36 37	90220610216 90220390357	TELAIoT#GRY04020 CAVAL#EUR1500EURP2	FRAME POWER CORD			BLACK RAL 9005 H07RNF 3x1 L=1500mm + EU SCHUKO PLUG H07RNF 3x1 L=1500mm + UK PLUG
37	90220390363	CAVAL#EUR1500UKSP2	POWER CORD			
37	90220390361	CAVAL#EUR1500SUIP2	POWER CORD			H07RNF 3x1 L=1500mm + SUI PLUG
38 39 42	90220621797 90220230012 90220350007	CRUSCGRYP#025F20 9021016001600 9021035001211	LEFT SIDE PANEL SCREW FUSE			BLACK AUTOFIL. T.C.C. D. 3.9x6.5 5A
43 44 45 46 47	90220010012 90220470021 90220020019 90220020007 90220230229	9021001007736 9021047004711 9021002005711 9021002002100 9021023002411	COVER CONTROL UNIT GASKET RUBBER GASKET BALL			230V 50Hz D. 6mm IN C40
48 49 50 51 52	90220230234 90220230230 90220230124 90220120039 90220120040	9021023004511 9021023002511 9021017002111 9021067006911 9021067007000	SPRING SCREW NUT CAP DRAIN CAP			M8x1 L=20mm M8x1 ZN UNI 5589 8 T.E. 1/8Mcil. T.E. 3/8" Mcil.

KAI 25 C

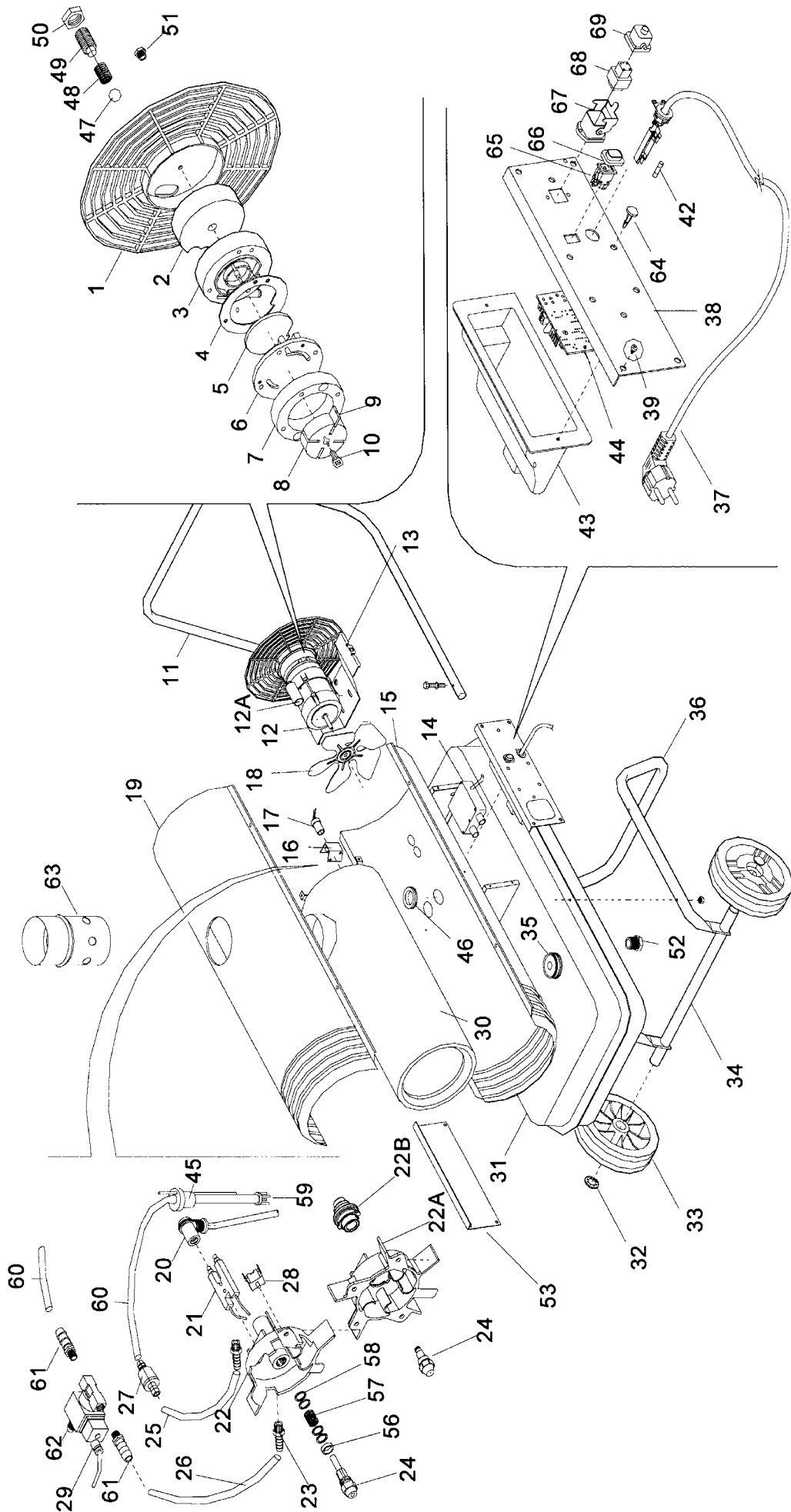


Fig.	New part No.	Old part No.	Description	From	To	Notes
53 56 57 58 59	90220621800 90220020001 90220230232 90220230145 90220010042	CRUSCGRYP#028C20 9021002001111 9021023004111 9021018001311 9021001014711	SIDE RIGHT PANEL NOZZLE GASKET SPRING WASHER SUCTION FITTING		jun-04 D. 6.5X10	NERO 0 ZN UNI 6593
60 61 62 63 64	90220160022 90220120035 90220420012 90220620679 90220010048	9021078000411 9021067005800 9021042003611 9021094138733 9021001015680	RUBBER HOSE HOSE HOLDER SOLENOID VALVE EXHAUST HOOD SPACER			L=200mm 1/4" Mcon. D. 8mm 1/4" F 230V 50/60Hz
65 67 68 69	90220320005 90220430002 90220430000 90220070022 90220621852	9021032001900 9021043000600 9021043000400 9021052006600 GRCOMPRGRYP#040EST	SWITCH THERMOSTAT SOCKET CAS. THERMOSTAT SOCKET CAP COMPRESSOR ASSY			3P+T 3P+T

