



Improves Grain Quality and Reduces Cost

FRL15 Aspirator Fan

The FRL15 Aspirator Fan is an effective, economical way to give your grain an air wash and remove any light, unwanted foreign materials like dust and bees' wings (red dog). Plus, its adaptability makes it a great addition to your operation. Add it to the discharge on grain dryers or place it at the head or boot of grain elevator legs or augers... and let it clean away!

4 Reasons to Clean Your Grain

1. Improves Grain Quality

Let's face it. Prices at the elevator matter. By removing these unwanted materials, you improve your FM counts and reduce dockage at the elevator.

2. Improves Aeration

Another great benefit is that with the fines removed, air circulation is also improved in storage facilities without overtaxing aeration fans. Goodbye hot spots and spoilage!

3. Eliminates Plugging

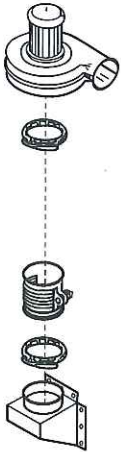
Bees' wings are known for plugging up systems. By removing them from your grain, you can add downspouts to legs without worrying about clogging and downtime.

4. Prolongs Equipment Life

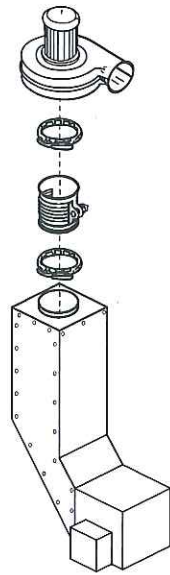
The cleaner you keep your equipment, the longer it lasts. Removing bees' wings and other contaminants to a bin keeps your processing area clean and working at top performance.

Take Your System to the Next Level.

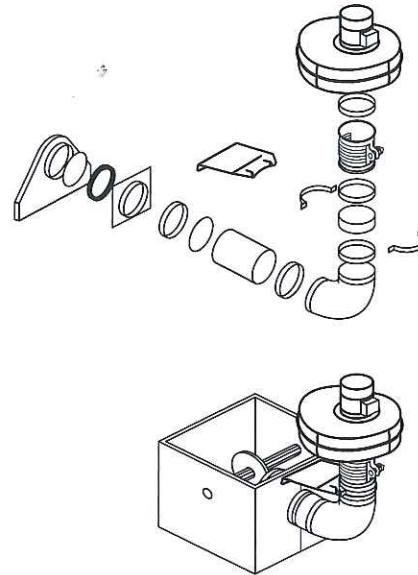
Universal Mount



M-C Mount

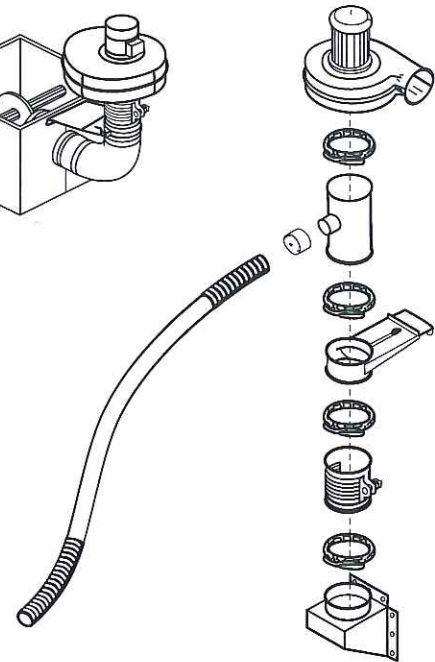


Super B Conveyor Mount



Add a Suction Kit

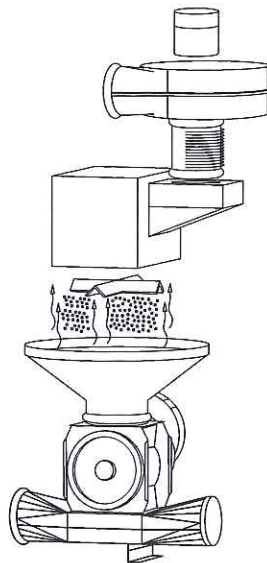
You can easily add a Suction Kit to the FRL15 Aspirator Fan. This allows for a 3-inch diameter hose to be added so fines can be removed from inside or around the dryer. Simply cap the T-pipe when you want to run the unit in aspiration-only mode.



Best Practice Tip:

Spread the Grain Out

The FLR15 Aspirator works best if the grain flow leaving the dryer is spread out. We recommend mounting angle irons or steel rods in the dryer discharge box to help break up the column of grain. This lets more air get around the kernels so the FRL15 Aspirator is able to draw off even more unwanted foreign materials.



1802 Industrial Park Drive, Unit A
Normal, IL 61761
(309) 452-3300
kna@kongskilde-industries.com
www.kongskilde-industries.com

KI-AF100-13118