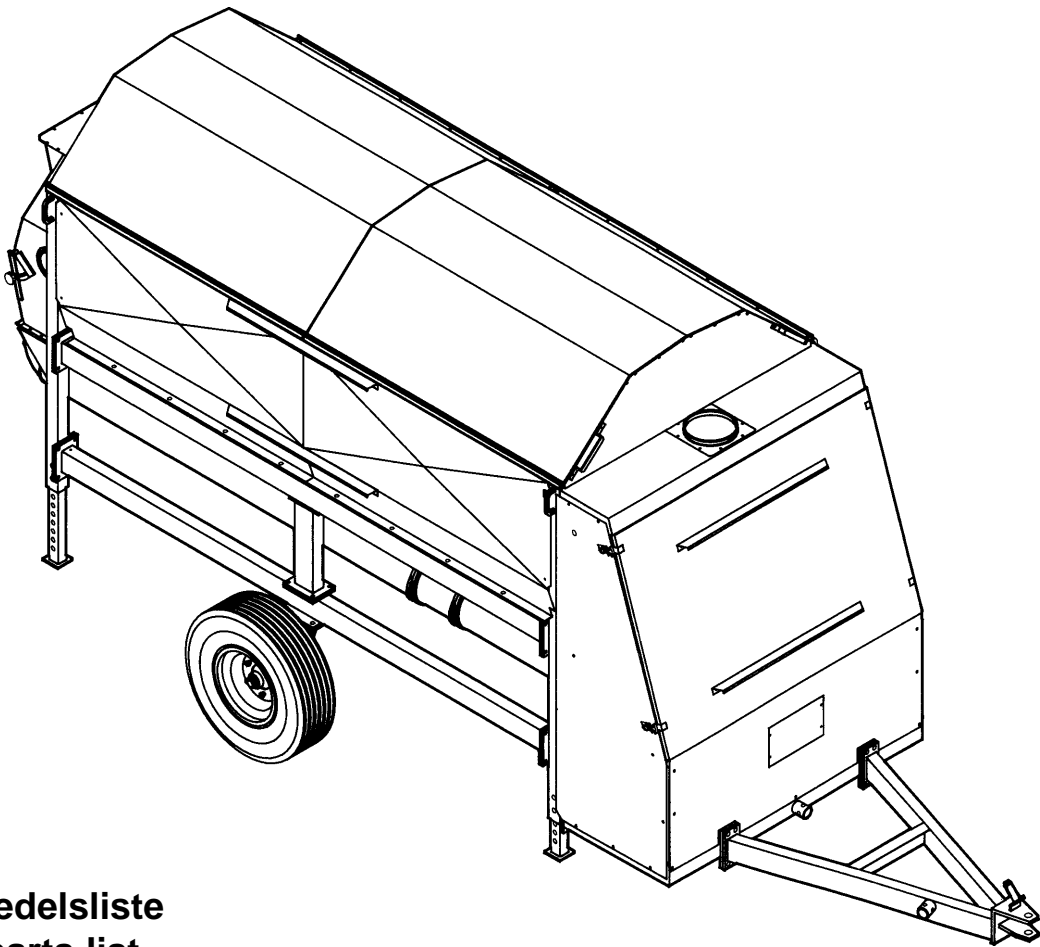


DPC 40



Reservedelsliste
Spare parts list
Ersatzteilliste
Onderdelenlijst
Liste de pièce de rechange
Lista dei pezzi di ricambio

DPC 40

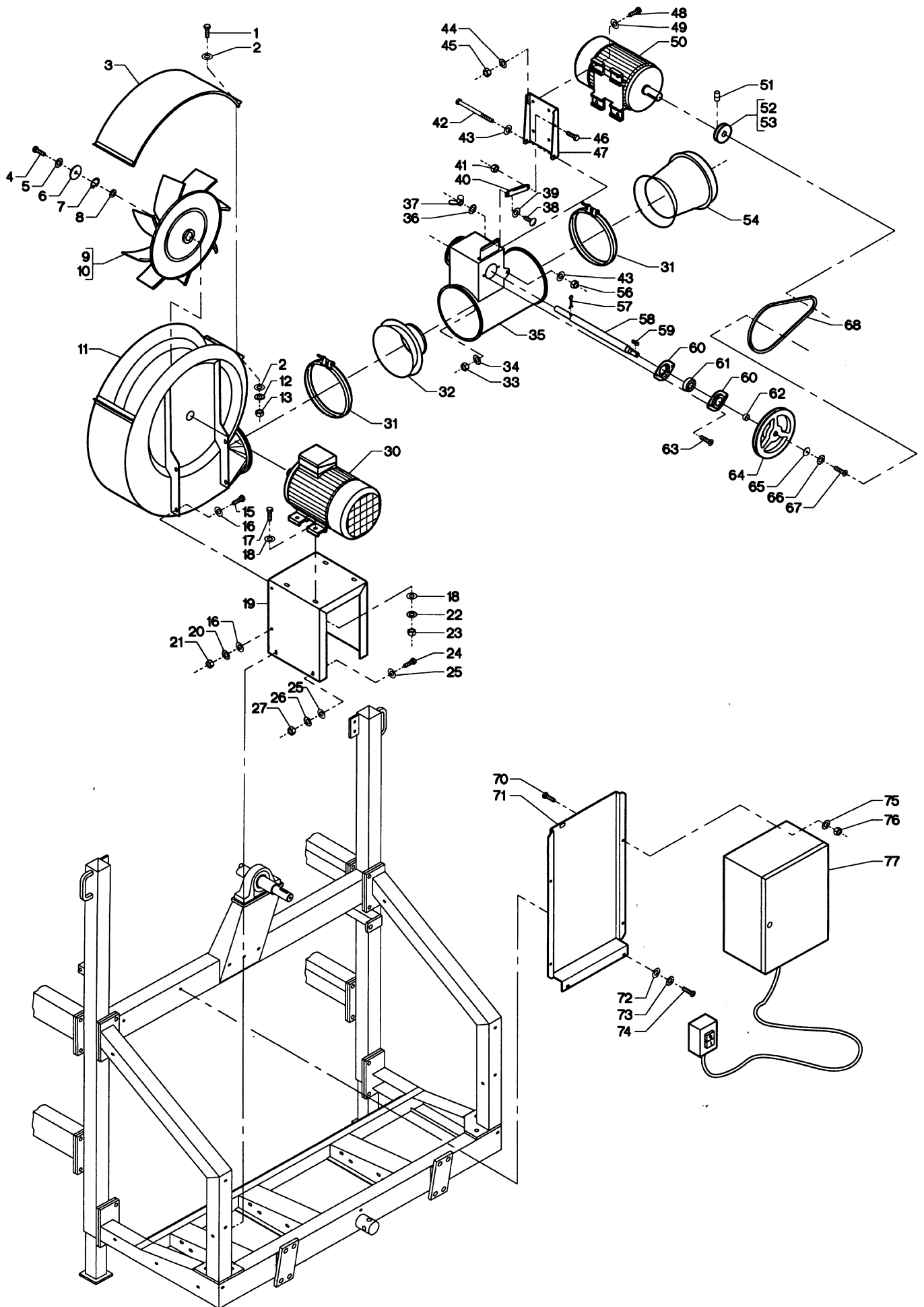


Fig.	Serial no.	Part no.	Pieces	Notes
1		100 308 025	4	Set screw M6 x 25 mm
2		100 331 004	8	Flat washer M6
3		131 080 075	1	Cover
4		100 306 031	1	Set screw M10 x 35 mm
5		100 332 004	1	Star washer M10
6		121 000 060	1	Flat washer
7		100 407 001	1	Circlip ø28 x1.2 mm
8		121 000 027	1	Flat washer ø27.8/17 x 2 mm
9		131 080 236	1	Rotor, 50 Hz
10		131 080 129	1	Rotor, 60 Hz
11		131 080 070	1	Centrifugal fan casing
12		100 332 002	4	Star washer M6
13		100 315 028	4	Nut M6
15		100 306 015	4	Set screw M8
16		100 331 005	8	Flat washer M8
17		100 306 031	4	Bolt M10 x 35 mm
18		100 331 006	8	Flat washer M10
19		131 080 079	1	Motor mounting bracket
20		100 332 003	4	Star washer M8
21		100 315 012	4	Nut M8
22		100 332 004	4	Star washer M10
23		100 315 013	4	Nut M10
24		100 306 015	4	Set screw M8 x 20 mm
25		100 331 005	8	Flat washer M8
26		100 332 003	4	Star washer M8
27		100 315 012	4	Nut M8
30		100 501 089	1	Motor 112M2 4.0 kW B3, 50 Hz
31		122 050 110	2	Clamp with bolt OK200
32		131 080 526	1	Nozzle
33		100 315 028	2	Nut M6
34		100 332 002	2	Star washer M6
35		131 080 139	1	
36		100 332 003	1	Star washer M8
37		100 316 001	1	Wing nut M8
38		100 311 016	1	Coach bolt M8 x 20 mm
39		100 331 007	1	Flat washer M12
40		131 080 525	1	
41		100 316 003	1	Lock nut M8
42		100 306 141	1	Bolt M10 x 160 mm
43		100 331 006	2	Flat washer M10
44		100 332 003	4	Star washer M8
45		100 315 012	4	Nut M8
46		100 306 015	1	Set screw M8 x 20 mm
47		131 080 346	1	Motor mounting plate
48		100 308 002	4	Set screw M8 x 25 mm
49		100 331 005	4	Flat washer M8
50		100 501 074	1	Motor 80G4 0.75 kW B3, 50 Hz
51		100 322 011	1	Stop screw M4 x 8 mm
52		131 081 095	1	V-belt pulley SPZ 43 with 1 groove, boring ø19 mm, 50 Hz
53		121 100 239	1	V-belt pulley SPZ 36 with 1 groove, boring 5/8", 60 Hz
54		131 080 529	1	Diffuser
56		100 316 004	1	Lock nut M10
57		100 333 005	1	Split pin ø6 x 40 mm
58		131 080 905	1	Flight axle
59		100 405 021	1	Key 5 x 5 x 20 mm
60		124 010 125	2	Bearing cap
61		100 401 002	1	Ball bearing #6204-2RS
62		131 080 514	1	Spacer
63		100 321 016	2	Posi-drive screw M6 x 20 mm
64		131 080 014	1	V-belt pulley SPZ 180 with 1 groove, boring ø16 mm
65		121 100 217	1	Flat washer ø30/7 x 2 mm
66		100 332 002	1	Star washer M6
67		100 321 014	1	Posi-drive screw M6 x 12 mm
68		100 403 101	1	V-belt SPZ 750
70		100 306 014	4	Set screw M8 x 15 mm
71		131 081 116	1	Bracket
72		100 331 013	2	Flat washer M6
73		100 332 002	2	Star washer M6
74		100 321 016	2	Posi-drive screw M6 x 20 mm
75		100 332 003	4	Star washer M8
76		100 315 012	4	Nut M8
77		100 503 130	1	Motor protection starter box, 3 x 400 V, 4 + 1.5 + 0.75 kW

DPC 40

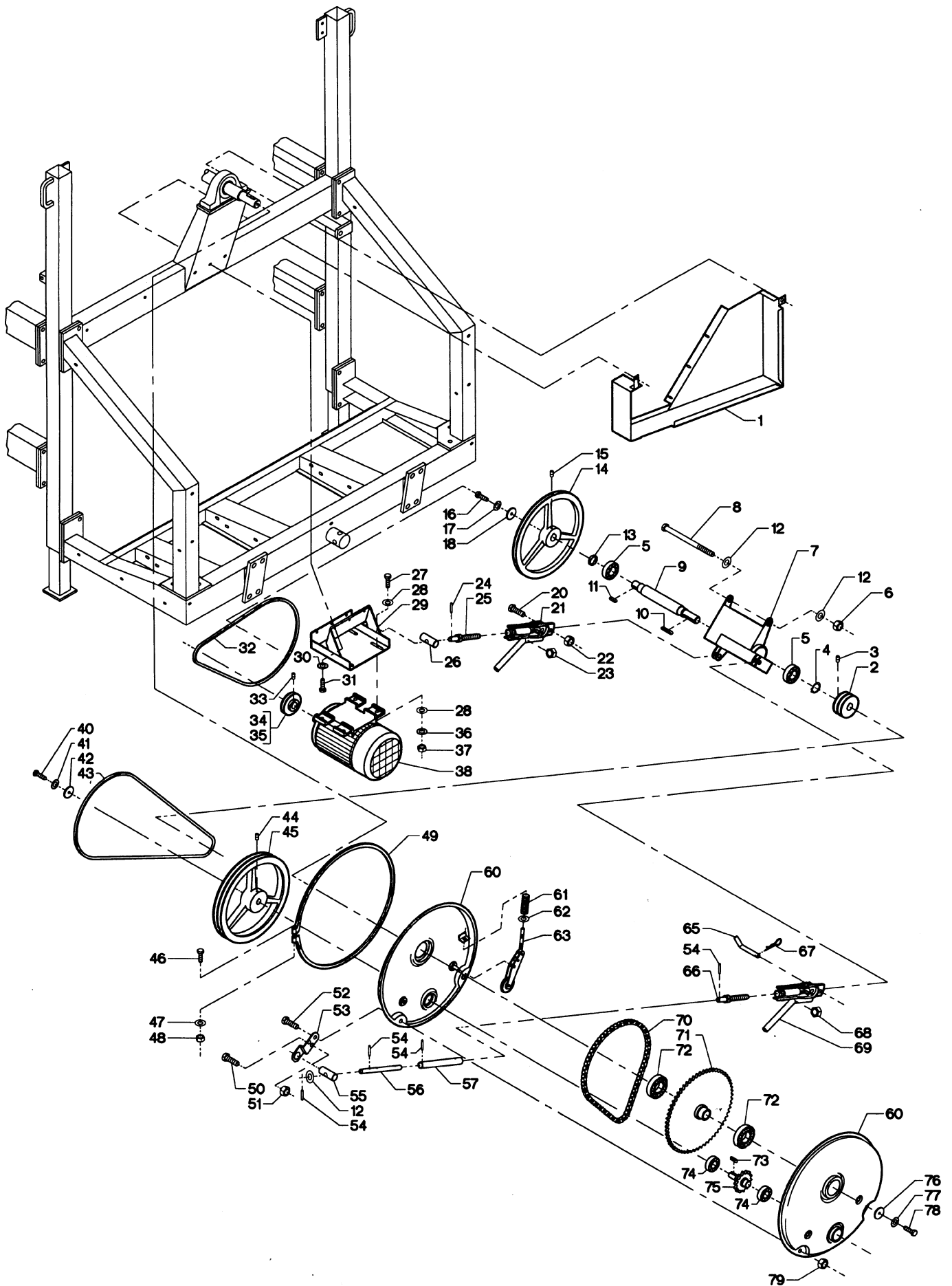


Fig.	Serial no.	Part no.	Pieces	Notes
1		131 080 559	1	Shield
2		131 080 016	1	V-belt pulley SPA 75 with 2 grooves, boring ø25 mm
3		100 322 000	1	Stop screw M6 x 6 mm
4		100 407 041	1	Circlip ø30 x 1.5 mm
5		100 401 011	2	Ball bearing #6206-2RS
6		100 316 006	1	Lock nut M16
7		131 080 294	1	Bearing housing
8		100 306 086	1	Bolt M16 x 220 mm
9		131 080 893	1	Intermediate shaft
10		100 405 013	1	Key 8 x 7 x 50 mm
11		100 405 008	1	Key 8 x 7 x 16 mm
12		100 331 008	3	Flat washer M16
13		131 080 207	1	Spacer
14		131 080 015	1	V-belt pulley SPZ 315 with 1 groove, boring ø25 mm
15		100 322 000	1	Stop screw M6 x 6 mm
16		100 308 002	1	Set screw M8 x 25 mm
17		100 332 003	1	Star washer M8
18		121 000 021	1	Flat washer ø42/9 x 3 mm
20		100 306 044	1	Set screw M12 x 40 mm
21		131 080 466	1	Knee-action unit
22		100 316 005	1	Lock nut M12
23		100 315 020	1	Nut M16
24		100 333 018	1	Slotted spring pin ø6 x 32 mm
25		121 131 129	1	Spindle
26		121 131 285	1	Pin
27		100 306 017	4	Set screw M8 x 30 mm
28		100 331 005	8	Flat washer M8
29		131 080 517	1	Motor mounting bracket
30		100 332 002	5	Star washer M6
31		100 306 001	5	Set screw M6 x 20 mm
32		100 403 097	1	V-belt SPZ 1462
33		100 322 011	1	Stop screw M4 x 8 mm
34		131 080 429	1	V-belt pulley SPZ 75 with 1 groove, boring ø24 mm, 50 Hz
35		131 080 428	1	V-belt pulley SPZ 63 with 1 groove, boring ø7/8", 60 Hz
36		100 332 003	4	Star washer M8
37		100 315 012	4	Nut M8
38		100 501 008	1	Motor 90 L4 1.5 kW B3, 50 Hz
40		100 308 002	1	Set screw M8 x 25 mm
41		100 332 003	1	Star washer M8
42		121 000 021	1	Flat washer ø42/9 x 3 mm
43		100 403 017	2	V-belt SPA 1800
44		100 322 000	1	Stop screw M6 x 6mm
45		131 080 017	1	V-belt pulley SPA 315 with 2 grooves, boring ø19 mm
46		100 323 145	1	Set screw M8 x 75 mm
47		100 331 005	1	Flat washer M8
48		100 315 012	1	Nut M8
49		121 140 047	1	Clamp
50		100 306 044	1	Set screw M12 x 40 mm
51		100 316 005	1	Lock nut M12
52		100 306 044	1	Set screw M12 x 40 mm
53		131 080 534	2	Slotted spring pin ø6 x 32 mm
54		100 333 018	4	Pin
55		121 131 285	1	
56		131 080 537	1	
57		131 080 899	1	
60		121 140 030	2	Chain housing
61		121 134 244	2	Spring
62		100 331 015	1	Flat washer M10
63		121 140 042	1	Trunbuckle
65		102 010 032	1	Split pin
66		121 131 129	1	Spindle
67		100 333 011	1	Hair pin clip ø4 mm
68		100 315 020	1	Nut M16
69		131 080 466	1	Knee-action unit
70		121 140 041	1	Chain
71		121 140 165	1	Chain wheel
72		100 401 072	2	Ball bearing #6208-2RS
73		100 405 019	1	Key 6 x 6 x28 mm
74		100 401 032	2	Ball bearing #6205-2RS
75		121 140 164	1	Entry shaft
Cpl:		131 080 430	1	Incl. fig: 46 - 49 + 60 - 61 + 70 - 75
76		121 000 021	1	Flat washer ø42/9 x 3 mm
77		100 332 003	1	Star washer M8
78		100 306 017	1	Set screw M8 x 30 mm
79		100 316 005	1	Lock nut M12

DPC 40

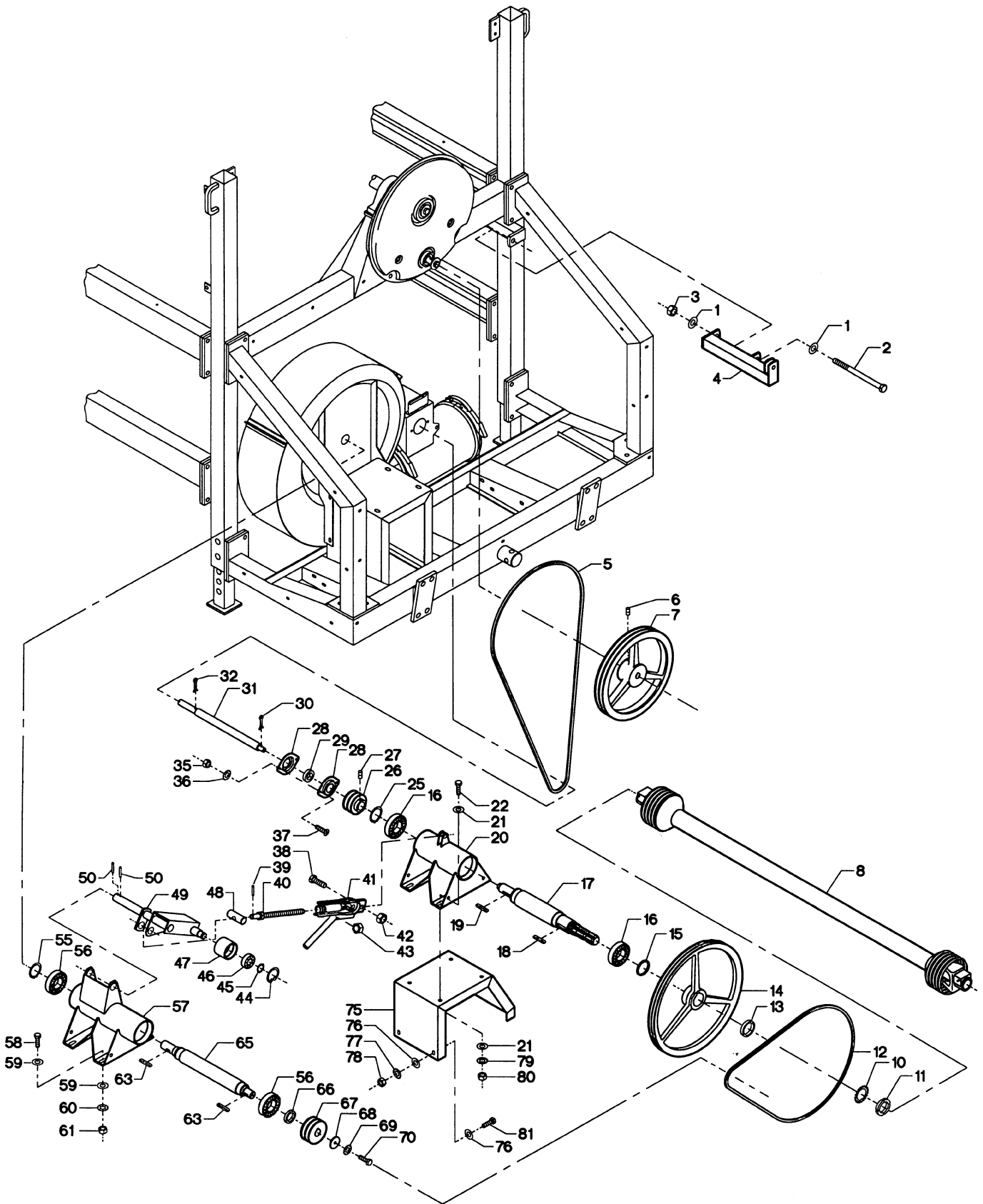


Fig.	Serial no.	Part no.	Pieces	Notes
1		100 331 008	2	Flat washer M16
2		100 306 086	1	Bolt M16 x 220 mm
3		100 316 006	1	Lock nut M16
4		131 080 567	1	
5		100 403 098	2	V-belt pulley SPA 2082 LW
6		100 322 001	1	Stop screw M6 x 10 mm
7		131 080 577	1	V-belt pulley SPA 355 with 2 grooves, boring \varnothing 19H7 mm
8		199 073 309	1	PTO
10		100 407 025	1	Lock washer MB8
11		100 323 064	1	Ring nut KM8
12		100 403 095	2	V-belt XPZ 1537 Raw Edge
13		121 140 156	1	
14		131 080 432	1	V-belt pulley SPZ 400 with 2 grooves
15		131 080 878	1	Spacer
16		100 401 060	2	Ball bearing #6010-2RS
17		131 080 876	1	
18		100 405 005	1	Key 14 x9 x40 mm
19		100 405 015	1	Key 8 x 7 x 36 mm
20		131 080 991	1	
21		100 331 006	8	Flat washer M10
22		100 308 004	4	Set screw M10 x 20 mm
25		100 407 037	1	Circlip \varnothing 50 x 2 mm
26		131 080 821	1	V-belt pulley SPA 56 with 2 grooves, boring \varnothing 24H/ mm
27		100 322 000	1	Stop screw M6 x 6 mm
28		124 010 125	2	Bearing cap
29		131 080 879	1	
30		100 333 078	1	Split pin \varnothing 4 x 40 mm
31		131 080 897	1	
32		100 333 005	1	Split pin \varnothing 6 x 40 mm
35		100 315 028	2	Nut M6
36		100 332 002	2	Star washer M6
37		100 321 016	2	Posi-drive screw M6 x 20 mm
38		100 306 044	1	Set screw M12 x 40 mm
39		100 333 018	1	Slotted spring pin \varnothing 6 x 32 mm
40		131 080 571	1	
41		131 080 466	1	Knee-action Unit
42		100 316 005	1	Lock nut M12
43		100 315 020	1	Nut M16
44		100 407 019	1	Circlip \varnothing 52 x 2 mm
45		100 407 011	1	Circlip \varnothing 20 x 1.2 mm
46		100 401 006	1	Ball bearing #6304-2RS
47		121 108 223	1	
48		121 131 285	1	
49		131 080 556	1	
50		100 333 018	2	Slotted spring pin \varnothing 6 x 32 mm
55		100 407 012	1	Circlip \varnothing 40 x 1.75 mm
56		100 401 072	2	Ball bearing #6208-2RS
57		131 080 992	1	
58		100 308 004	4	Set screw M10 x 20 mm
59		100 331 006	8	Flat washer M10
60		100 332 004	4	Star washer M10
61		100 315 013	4	Nut M10
63		100 405 008	2	Key 8 x 7 x 16 mm
65		131 080 892	1	
66		131 080 555	1	Spacer
67		131 080 431	1	V-belt pulley SPZ 71 with 2 grooves, boring \varnothing 24 mm
68		121 000 021	1	Flat washer \varnothing 42/9 x 3 mm
69		100 332 003	1	Star washer M8
70		100 308 002	1	Set screw M8 x 25 mm
75		131 080 416	1	
76		100 331 005	8	Flat washer M8
77		100 332 003	4	Star washer M8
78		100 315 012	4	Nut M8
79		100 332 004	4	Star washer M10
80		100 315 013	4	Nut M10
81		100 306 015	4	Set screw M8 x 20 mm

DPC 40

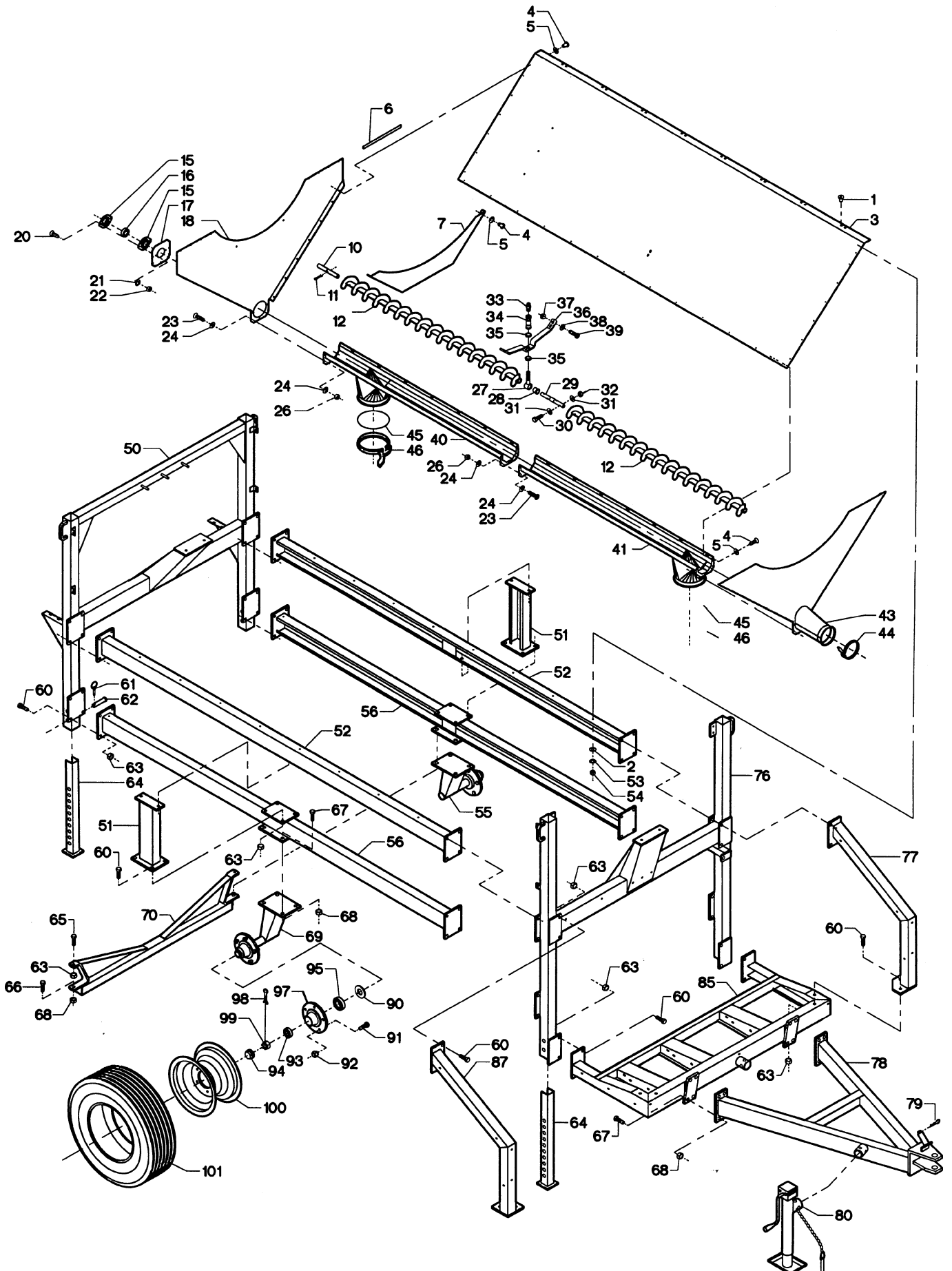


Fig.	Serial no.	Part no.	Pieces	Notes
1		100 334 024	16	Poprivet TLP/D-BS 850
3		131 080 243	1	A
		131 080 909	1	B
4		100 334 014	60	Poprivet 07304010
5		100 331 048	60	Flat washer M4
6		100 203 056	-	Order 0.15 m
7		131 080 910	1	
10		131 080 887	1	
11		100 333 005	1	Split pin $\varnothing 6 \times 40$ mm
12		131 080 904	2	Flight
15		124 010 125	2	Bearing cap
16		100 401 002	1	Ball bearing #6204-2RS
17		131 080 494	1	
18		131 080 242	1	
20		100 321 016	2	Posi-drive screw M6 x 20 mm
21		100 332 002	2	Star Washer M6
22		100 315 028	2	Nut M6
23		100 321 015	15	Posi-drive screw M6 x 16 mm
24		100 331 004	30	Flat washer M6
26		100 316 002	15	Lock nut M6
27		171 601 191	1	
28		171 601 360	1	
29		171 601 190	1	
30		100 309 002	4	Screw M6 x 35 mm
31		100 331 004	8	Flat washer M6
32		100 316 002	4	Lock nut M6
33		100 421 005	1	Grease nipple 1/4"
34		100 316 071	1	3/8 x 1/4" WRG
35		100 316 069	2	Nut 3/8" WRG
36		131 080 906	1	
37		100 316 003	4	Lock nut M8
38		100 331 005	4	Washer M8
39		100 306 015	4	Set screw M8 x 20 mm
40		131 080 239	1	
41		131 080 249	1	
43		131 080 498	1	Quick release clamp OK100
44		122 040 162	1	
45		110 101 105	2	Quick release clamp OK160
46		122 000 824	2	
50		131 080 031	1	
51		131 080 463	2	
52		131 080 458	2	
55		121 134 343	1	
56		131 080 464	2	
60		100 304 033	56	Bolt M12 x 35 mm
61		100 333 014	4	
62		103 090 066	4	Split pin
63		100 316 005	56	Lock nut M12
64		131 080 068	4	
65		100 304 036	2	Set screw M12 x 50 mm
66		100 306 057	2	Set screw M16 x 50 mm
67		100 306 055	14	Set screw M16 x 40 mm
68		100 316 006	16	Lock nut M16
69		121 134 344	1	
70		131 080 492	1	
76		131 080 050	1	
77		131 080 478	1	
78		121 134 342	1	
79		100 333 011	1	Hair pin clip $\varnothing 4$ mm
80		121 134 128	1	
85		131 080 477	1	
87		131 080 479	1	
90		100 423 092	1	Seal cover $\varnothing 72/42$ mm
91		100 323 365	5	Hub bolt M12 x 1.5 x 36 mm
92		100 316 087	5	Hub nut M12 x 1.5 mm - R12
93		100 333 004	1	Split pin $\varnothing 5 \times 30$ mm
94		100 423 093	1	Dust cap
95		100 402 001	1	Bearing # 30207
98		100 402 000	1	Bearing # 30205
99		100 316 086	1	Castle nut M16
Cpl:		121 134 188	2	Hub complete type FL 35 - 5. Incl. items 90 - 99
100		100 423 057	1	Rim 5.5k x 14 - 5 / 10Z / 140
101		100 423 096	1	Tyre 205/75 R14C 6PR
Cpl:		121 000 782	2	Rim with tyre complete. incl. items 100 + 101

DPC 40

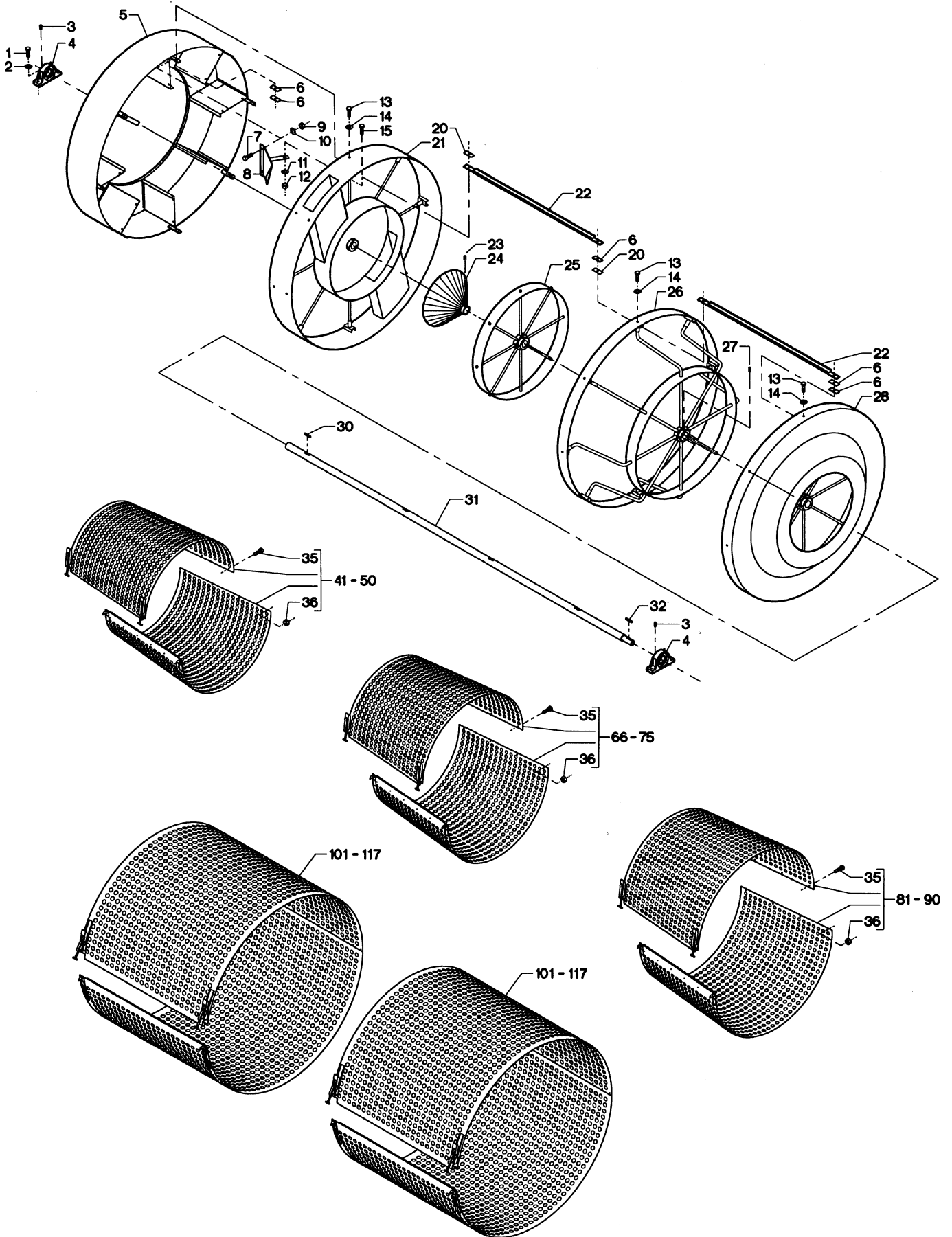


Fig.	Serial no.	Part no.	Pieces	Notes
1		100 304 033	4	Bolt M12 x 35 mm
2		100 331 016	4	Flat washer M12
3		100 322 021	2	Stop screw M8 x 10 mm
4		100 401 056	2	Bearing SKF SY-40 TF
5		131 080 177	1	
6		131 080 151	40	Spacer 5 mm
7		100 304 014	16	Set screw M8 x 15 mm
8		131 080 202	8	
9		100 315 012	16	Nut M8
10		100 332 003	16	Star washer M8
11		100 332 004	8	Star washer M10
12		100 315 013	8	Nut M10
13		100 306 031	24	Bolt M10 x 35 mm
14		100 332 004	24	Star washer M10
15		100 308 004	8	Set screw M10 x 20 mm
20		131 080 817	16	Spacer 3 mm
21		131 080 158	1	
22		131 080 794	16	
23		100 322 010	1	Stop screw M6 x 8 mm
24		131 080 164	1	
25		131 080 150	1	
26		131 080 157	1	
27		100 322 006	8	Stop screw m10 x 20 mm
28		131 080 137	1	
30		100 405 024	4	Key 12 x 8 x 40 mm
31		131 080 886	1	
32		100 405 000	1	Key 8 x 7 x 35 mm
35		100 308 018	4	Set screw M6 x 12 mm
36		100 316 002	4	Lock nut M6
41		131 080 672	1	3 rd section inner screen with hole 3.5 mm
42		131 080 675	1	3 rd section inner screen with hole 4.3 mm
43		131 080 678	1	3 rd section inner screen with hole 7.4 mm
44		131 080 681	1	3 rd section inner screen with hole 9.0 mm
45		131 081 014	1	3 rd section inner screen with hole 10.0 mm
46		131 080 684	1	3 rd section inner screen with hole 11.0 mm
47		131 080 687	1	3 rd section inner screen with hole 15.0 mm
48		131 080 690	1	3 rd section inner screen with hole 17.0 mm
49		131 080 693	1	3 rd section inner screen with square hole 2.75 mm
50		131 080 696	1	3 rd section inner screen with square hole 5.2 mm
66		131 080 671	1	2 rd section inner screen with hole 3.5 mm
67		131 080 674	1	2 rd section inner screen with hole 4.3 mm
68		131 080 677	1	2 rd section inner screen with hole 7.4 mm
69		131 080 680	1	2 rd section inner screen with hole 9.0 mm
70		131 081 013	1	2 rd section inner screen with hole 10.0 mm
71		131 080 683	1	2 rd section inner screen with hole 11.0 mm
72		131 080 686	1	2 rd section inner screen with hole 15.0 mm
73		131 080 689	1	2 rd section inner screen with hole 17.0 mm
74		131 080 692	1	2 rd section inner screen with square hole 2.75 mm
75		131 080 695	1	2 rd section inner screen with square hole 5.2 mm
81		131 080 670	1	1 rd section inner screen with hole 3.5 mm
82		131 080 673	1	1 rd section inner screen with hole 4.3 mm
83		131 080 676	1	1 rd section inner screen with hole 7.4 mm
84		131 080 679	1	1 rd section inner screen with hole 9.0 mm
85		131 081 012	1	1 rd section inner screen with hole 10.0 mm
86		131 080 682	1	1 rd section inner screen with hole 11.0 mm
87		131 080 685	1	1 rd section inner screen with hole 15.0 mm
88		131 080 688	1	1 rd section inner screen with hole 17.0 mm
89		131 080 691	1	1 rd section inner screen with square hole 2.75 mm
90		131 080 694	1	1 rd section inner screen with square hole 5.2 mm
101		131 080 350	2	Outer screen with slot 1.0 x 16.5 mm
102		131 080 860	2	Outer screen with slot 1.8 x 20 mm
103		131 080 107	2	Outer screen with slot 2.0 x 16.5 mm
104		131 080 637	2	Outer screen with slot 2.25 x 16.5 mm
105		131 080 616	2	Outer screen with slot 2.5 x 16.5 mm
106		131 080 665	2	Outer screen with slot 2.65 x 16.5 mm
107		131 080 352	2	Outer screen with slot 4.0 x 16.5 mm
108		131 080 291	2	Outer screen with hole 2.0 mm
109		131 080 103	2	Outer screen with hole 3.5 mm
110		131 080 861	2	Outer screen with hole 4.3 mm
111		131 081 123	2	Outer screen with hole 7.0 mm
112		131 081 127	2	Outer screen with hole 7.4 mm
113		131 081 131	2	Outer screen with hole 9.5 mm
114		131 080 218	2	Outer screen with square hole 2.75 mm
115		131 080 219	2	Outer screen with square hole 5.2 mm
116		131 080 221	2	Outer screen with square hole 6.0 mm
117		131 081 111	2	Outer screen without hole

DPC 40

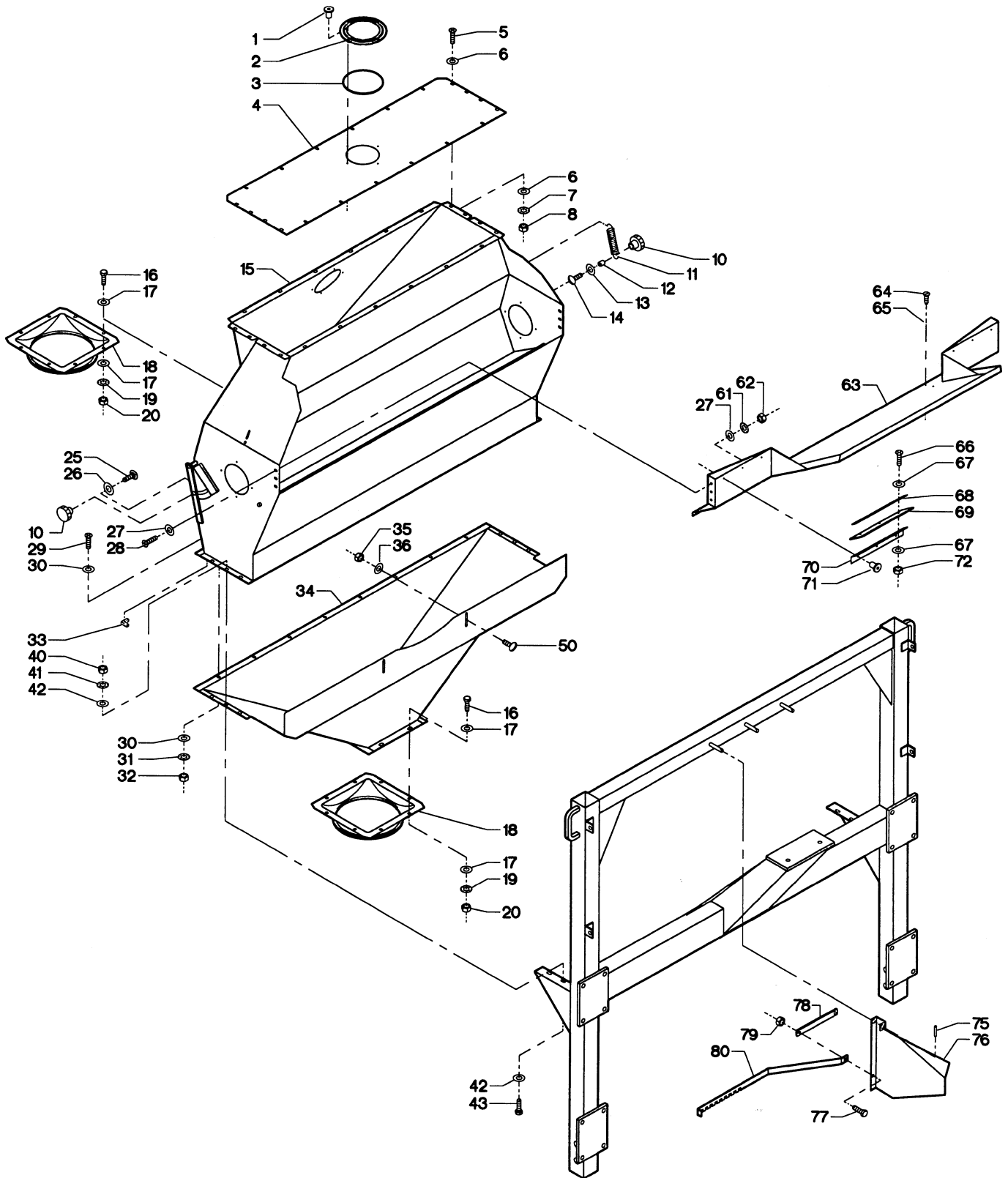


Fig.	Serial no.	Part no.	Pieces	Notes
1		100 334 014	16	Poprivet 07304010
2		131 080 841	4	
3		121 000 090	4	
4		131 080 259	1	
5		100 321 015	20	
				Posi-drive screw M6 x 15 mm
6		100 331 004	40	Flat washer M6 Star washer M6 Nut M6 Star handle M8 Spring
7		100 332 002	20	
8		100 315 028	20	
10		100 414 050	2	
11		131 080 325	1	
12		131 080 447	1	Spacer Flat washer M8 Coach bolt M8 x 25 mm Set screw M8 x 15 mm
13		100 331 005	1	
14		100 311 017	1	
15		131 080 453	1	
16		100 306 014	16	
17		100 331 005	32	Flat washer M8 Star washer M8 Nut M8 Coach bolt M8 x 20 mm
18		121 100 211	2	
19		100 332 003	16	
20		100 315 012	16	
25		100 311 016	1	
26		100 331 007	1	Flat washer M12 Flat washer M6 Posi-drive screw M6 x 15 mm Posi-drive screw M6 x 15 mm Flat washer M6
27		100 331 004	12	
28		100 321 015	6	
29		100 321 015	8	
30		100 331 004	16	
31		100 332 002	8	Star washer M6 Nut M6 Sealing strip 7 x 8 mm. Order 0.1 m Nut M6
32		100 315 028	8	
33		100 202 011	-	
34		131 080 454	1	
35		100 315 028	2	
36		100 331 004	2	Flat washer M6 Nut M6 Star washer M6 Flat washer M6 Set screw M6 x 20 mm
40		100 315 028	6	
41		100 332 002	2	
42		100 331 004	12	
43		100 306 001	6	
50		100 311 001	1	Coach bolt with nut M6 x 20 mm Star washer M6 Nut M6 Posi-drive screw M4 x 15 mm
61		100 332 002	6	
62		100 315 028	6	
63		131 080 455	1	
66		100 321 005	6	
67		100 331 003	12	Flat washer M5 Poprivet 07304010
68		131 080 252	2	
69		131 080 415	2	
70		131 080 251	2	
71		100 334 014	6	
72		100 315 004	6	Nut M4 Slotted spring pin $\varnothing 4$ x 25 mm Set screw M8 x 20 mm
75		100 333 017	3	
76		131 080 261	3	
77		100 306 015	3	
78		131 080 450	2	
79		100 316 003	3	Lock nut M8
80		131 080 451	1	

DPC 40

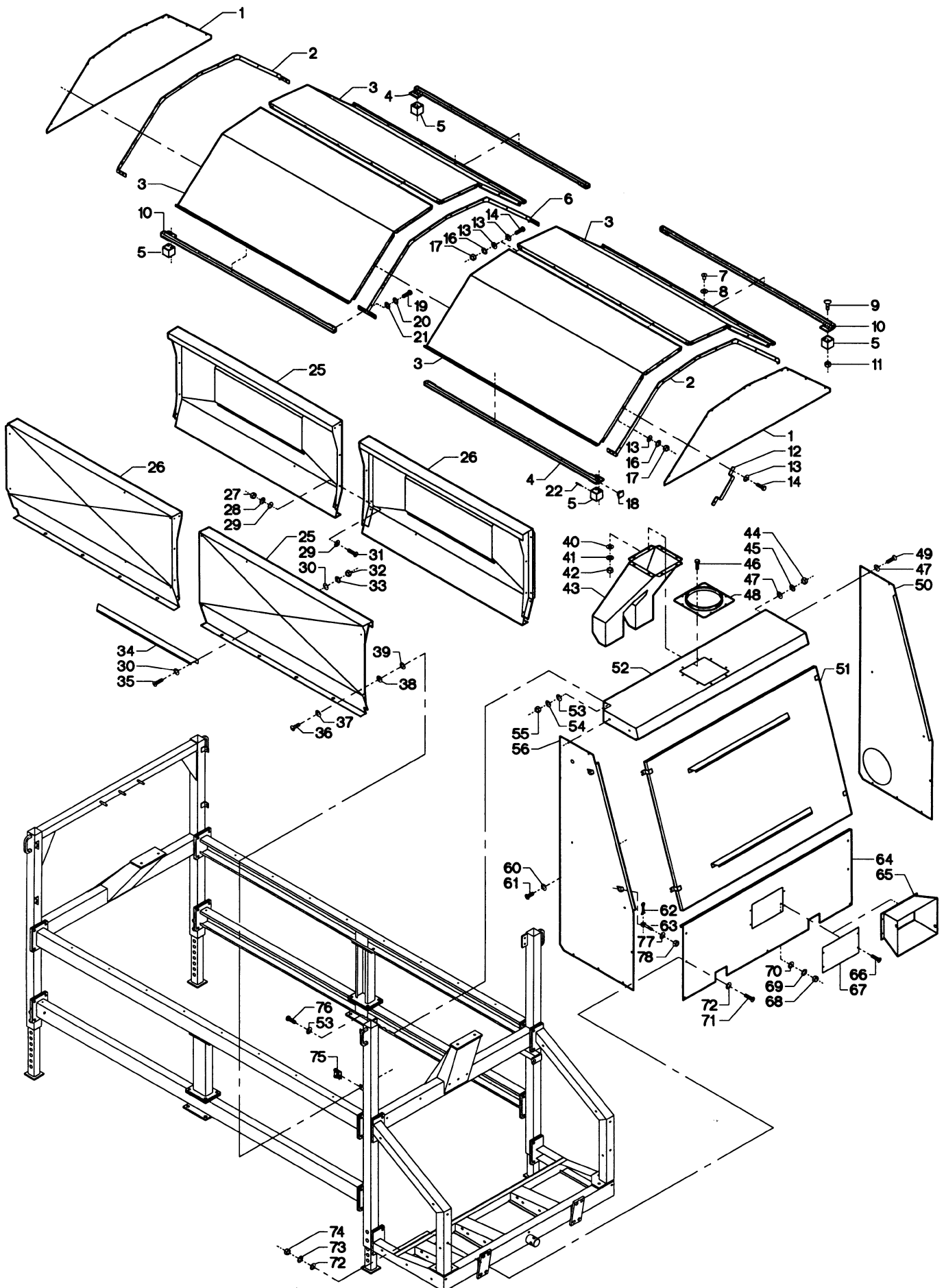


Fig.	Serial no.	Part no.	Pieces	Notes
1		131 080 272	2	
2		131 080 282	2	
3		131 080 273	4	
4		131 080 286	2	
5		131 080 281	4	
6		131 080 283	1	
7		100 334 014	24	Poprivet 07304010
8		100 331 048	24	Flat washer M4
9		100 311 001	8	Coach bolt with nut M6 x 20 mm
10		131 080 438	2	
11		100 316 002	8	Lock nut M6
12		131 080 280	4	
13		100 331 004	96	Flat washer M6
14		100 306 001	48	Set screw M6 x 20 mm
16		100 332 002	48	Star washer M6
17		100 315 028	48	Nut M6
18		100 414 017	4	Plastic plug
19		100 306 001	16	Set screw M6 x 20 mm
20		100 332 002	16	Star washer M6
21		100 331 004	16	Flat washer M6
22		100 333 052	4	Slotted spring pin $\varnothing 5 \times 30$ mm
25		131 080 508	2	
26		131 080 509	2	
27		100 315 028	10	Nut M6
28		100 332 002	10	Star washer M6
29		100 331 004	20	Flat washer M6
30		100 331 004	32	Flat washer M6
31		100 321 014	10	Posi-drive screw M6 x 12 mm
32		100 315 028	16	Nut M6
33		100 332 002	16	Star washer M6
34		131 080 535	4	
35		100 321 014	16	Posi-drive screw M6 x 12 mm
36		100 323 297	8	
37		100 323 317	8	
38		100 323 316	8	
39		100 323 298	8	
40		100 331 005	8	Flat washer M8
41		100 332 003	8	Star washer M8
42		100 315 012	8	Nut M8
43		131 080 208	1	
44		100 315 028	16	Nut M6
45		100 332 002	16	Star washer M6
46		100 306 014	8	Set screw M8 x 15 mm
47		100 331 004	32	Flat washer M6
48		121 100 267	1	
49		100 321 014	16	Posi-drive screw M6 x 12 mm
50		131 080 482	1	
51		131 080 488	1	
52		131 080 483	1	
53		100 331 005	8	Flat washer M8
54		100 332 003	4	Star washer M8
55		100 315 012	4	Nut M8
56		131 080 489	1	
60		100 331 003	4	Flat washer M5
61		100 323 296	4	Self-tapping screw M4.2 x 9 mm
62		100 333 004	4	Split pin $\varnothing 5 \times 30$ mm
63		100 323 332	4	M8 x 50 mm
64		131 080 484	1	
65		121 131 261	1	
66		100 321 014	4	Posi-drive screw M6 x 12 mm
67		131 080 524	1	
68		100 315 028	4	Nut M6
69		100 332 002	4	Star washer M6
70		100 331 004	4	Flat washer M6
71		100 321 014	7	Posi-drive screw M6 x 12 mm
72		100 331 004	14	Flat washer M6
73		100 332 002	7	Star washer M6
74		100 315 028	7	Nut M6
75		100 323 299	8	Clips nut
76		100 306 015	4	Set screw M8 x 20 mm
77		100 331 005	4	Flat washer M8
78		100 316 003	4	Lock nut M8

DPC 40

