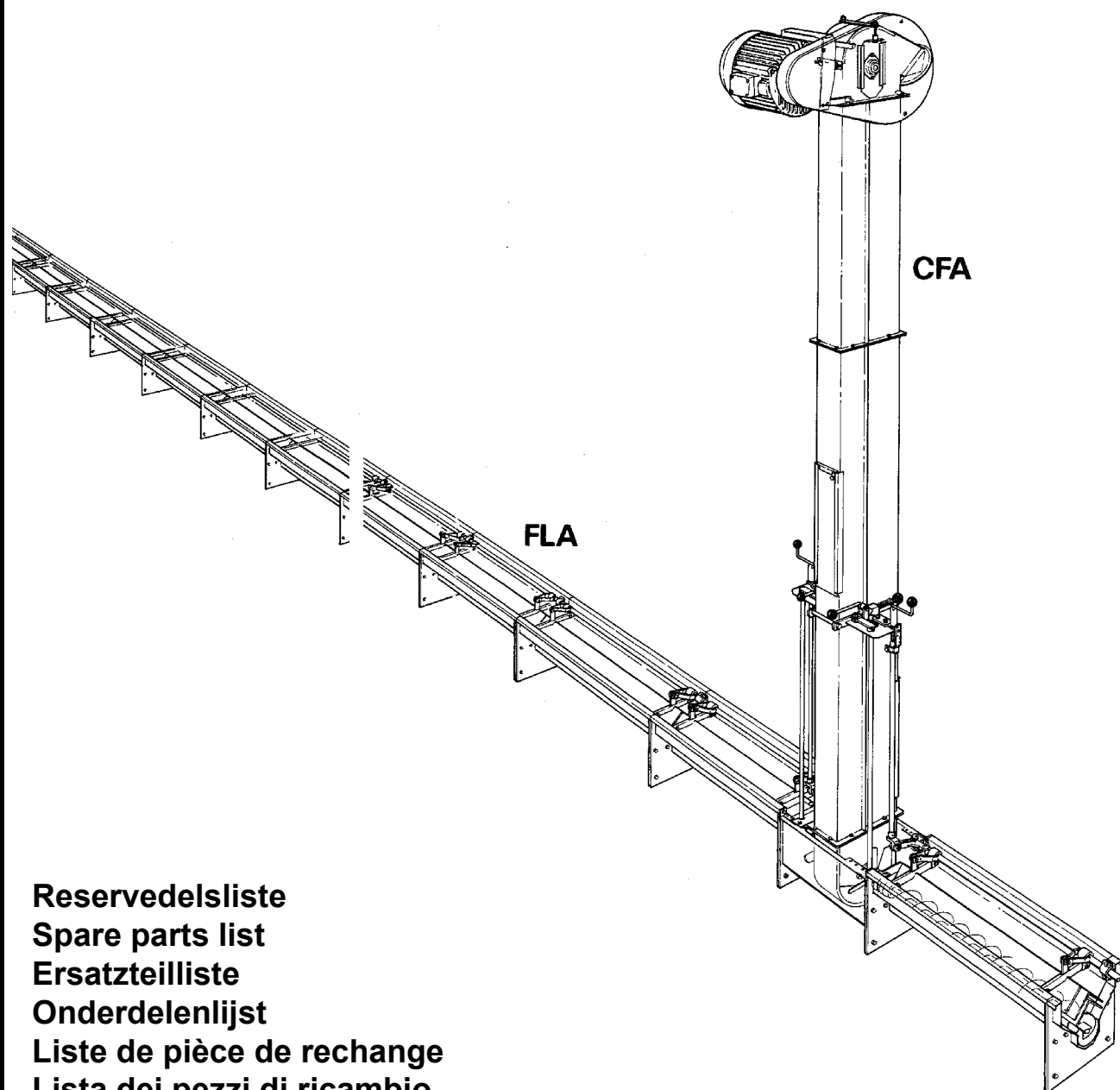
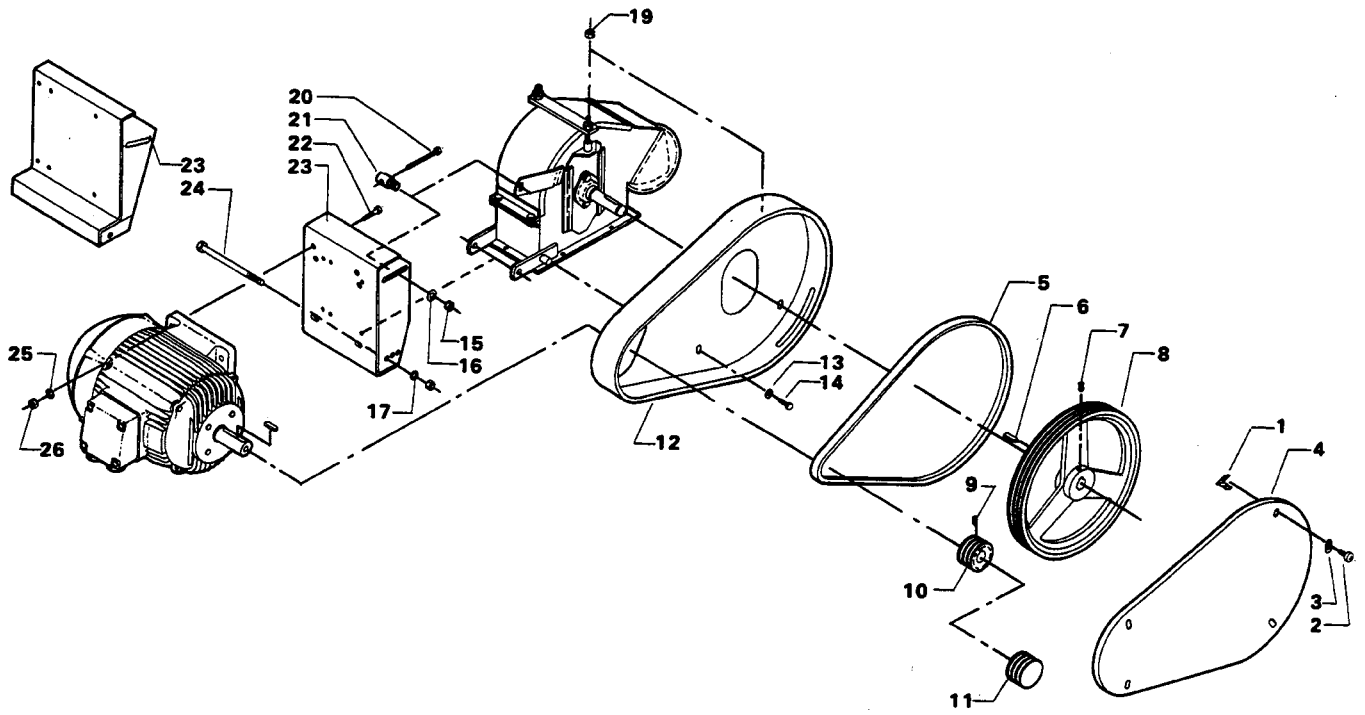


CFA & FLA



Reservedelsliste
Spare parts list
Ersatzteilliste
Onderdelenlijst
Liste de pièce de rechange
Lista dei pezzi di ricambio

CFA 20/40



FLA 10/20

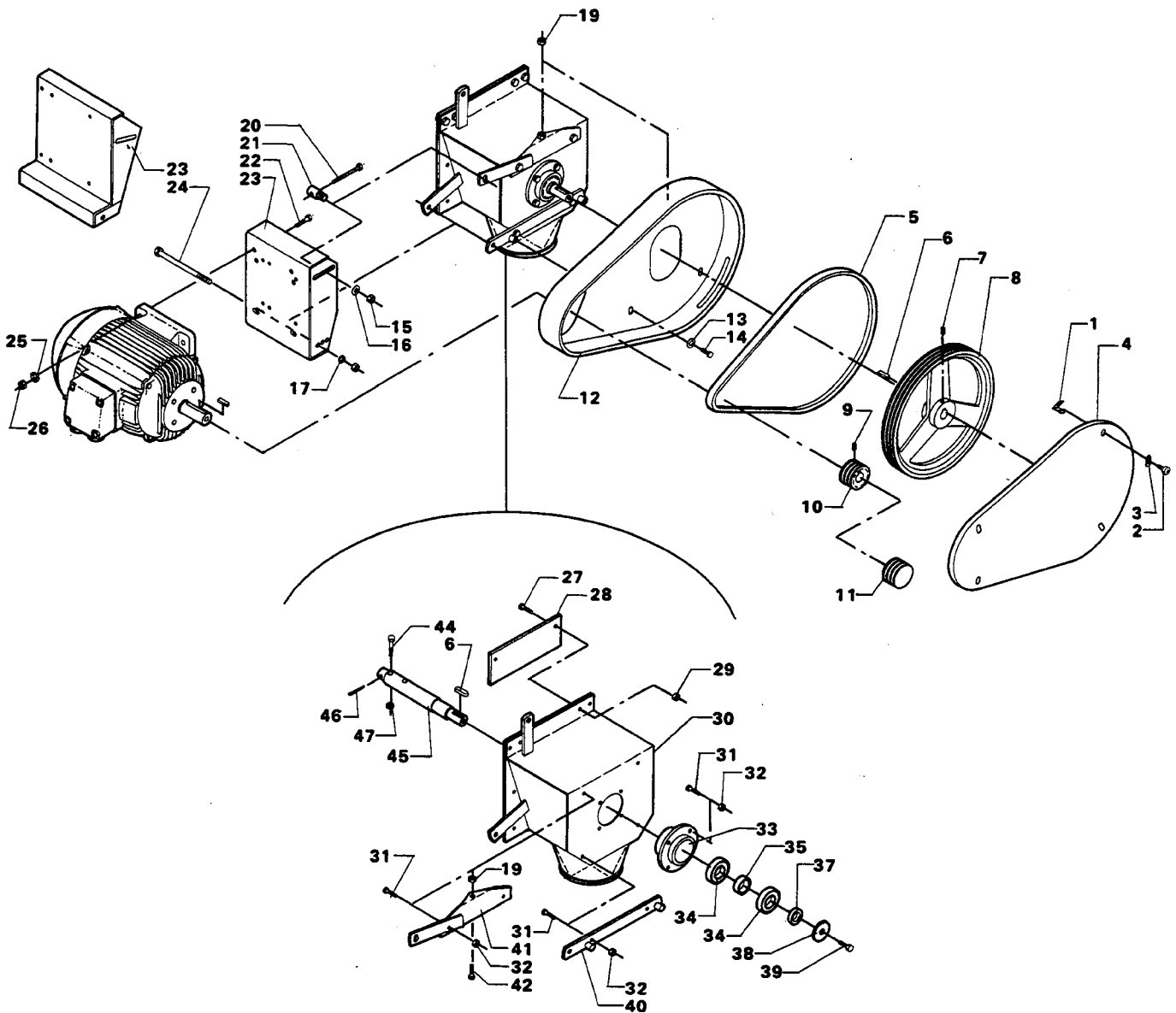


Fig.	Part no.	Pieces	Notes
1	121 000 402	4	
2	100 321 010	4	Posi-drive screw M5 x 12 mm
3	121 000 686	4	
4	128 000 038	1	For 1.1 - 1.5 - 2.2 - 3 & 4 kW motor
4	128 000 044	1	For 5.5 & 7.5 kW motor
5	100 403 000	2	XPZ 1412 V-belts, for 1.1 & 1.5 kW motor
5	100 403 000	3	XPZ 1412 V-belts, for 2.2 & 3 & 4 kW motor
5	100 403 085	4	XPZ 1500 V-belts, for 5.5 & 7.5 kW motor
6	100 405 015	1	Key 8 x 7 x 36 mm
7	100 322 005	1	Stop screw M10 x 15 mm
8	128 000 050	1	SPZ 355/2 - boring 25 mm, w. stop screw fig. 7
8	128 000 051	1	SPZ 355/3 - boring 25 mm, w. stop screw fig. 7
8	128 000 061	1	SPZ 400/4 - boring 25 mm, w. stop screw fig. 7
9	100 322 000	1	Stop screw M6 x 6 mm
10	128 000 053	1	SPZ 56/2 - boring 24 mm, w. stop screw fig. 9
10	128 000 054	1	SPZ 56/3 - boring 28 mm, w. stop screw fig. 9
10	128 000 055	1	SPZ 63/2 - boring 24 mm, w. stop screw fig. 9
10	128 000 056	1	SPZ 63/3 - boring 28 mm, w. stop screw fig. 9
10	128 000 122	1	SPZ 66/3 - boring 38 mm, w. stop screw fig. 9
10	128 000 057	1	SPZ 66/4 - boring 38 mm, w. stop screw fig. 9
10	128 000 058	1	SPZ 71/4 - boring 38 mm, w. stop screw fig. 9
10	128 000 123	1	SPZ 71/4 - boring 42 mm, w. stop screw fig. 9
10	124 110 092	1	SPZ 75/2 - boring 24 mm, w. stop screw fig. 9
10	124 110 091	1	SPZ 75/3 - boring 28 mm, w. stop screw fig. 9
11	128 000 068	1	SPZ 56/2 - w/o boring
11	128 000 069	1	SPZ 56/3 - w/o boring
11	128 000 070	1	SPZ 63/2 - w/o boring
11	128 000 071	1	SPZ 63/3 - w/o boring
11	128 000 042	1	SPZ 66/4 - w/o boring
12	128 000 042	1	For 1.1 - 1.5 - 2.2 - 3 & 4 kW motor
12	128 000 047	1	For 5.5 & 7.5 kW motor
13	100 331 004	2	Flat washer M6
14	100 323 041	2	Set screw M6 x 15 mm
15	100 315 016	1	Nut M12
16	100 331 007	1	Flat washer M12
17	100 332 005	1	Star washer M12
19	100 315 016	2	Nut M12
20	100 323 109	1	Set screw M12 x 90 mm
21	128 000 211	1	
22	100 306 030	4	Set screw M10 x 30 mm, for 1.1 & 1.5 kW motor
22	100 306 044	4	Set screw M12 x 40 mm, for 2.2 - 3 - 4 - 5.5 & 7.5 kW motor
23	128 000 010	1	For 1.1 - 1.5 - 2.2 & 4 kW motor
23	128 000 081	1	For 5.5 & 7.5 kW motor
24	100 302 034	1	Bolt with nut, M12 x 240 mm
25	100 332 004	4	Star washer M10, for 1.1 & 1.5 kW motor
25	100 332 005	4	Star washer M12, for 2.2 - 3 - 4 - 5.5 & 7.5 kW motor
26	100 315 013	4	Nut M10, for 1.1 & 1.5 kW motor
26	100 315 016	4	Nut M12, for 2.2 - 3 - 4 - 5.5 & 7.5 kW motor
27	100 323 041	2	Set screw M6 x 16 mm
28	124 100 118	1	
29	100 315 028	2	Nut M6
30	124 100 036	1	
31	100 306 015	8	Set screw M8 x 20 mm
32	100 315 012	8	Nut M8
33	124 041 027	1	
34	100 401 003	2	Ball bearing No. 6207-2RS1
35	124 041 103	1	37/42.5 x 18 mm
37	124 100 206	1	26/40 x 10 mm
38	121 000 071	1	Flat washer 13/52 x 3 mm
39	100 306 030	1	Set screw M10 x 30 mm
40	124 100 086	1	
41	124 100 088	1	
42	100 304 031	1	Set screw M12 x 25 mm
44	100 306 036	2	Set screw M10 x 60 mm
45	124 100 212	1	
46	100 333 005	1	Split pin 6 x 40 mm
47	100 316 004	2	Lock nut M10

CFA 20/40

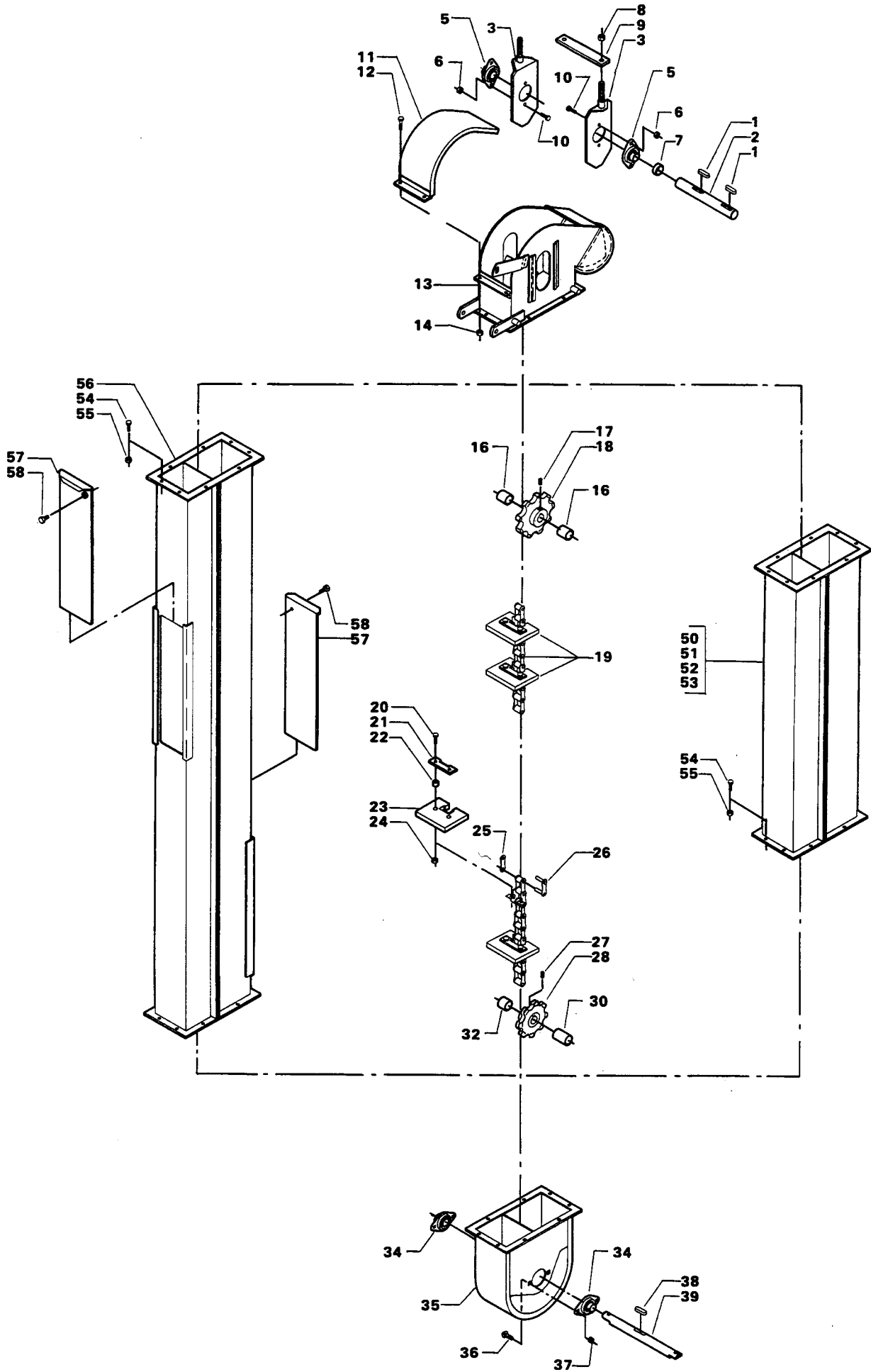


Fig.	Part no.	Pieces	Notes
1	100 405 015	2	Key 8 x 7 x 36 mm
2	128 010 229	1	For CFA 20
2	128 020 165	1	For CFA 40
3	128 000 008	2	
5	100 401 039	2	YAR 205-2F + PFT 52
6	100 316 003	4	Lock nut M8
7	128 000 029	1	26/30 x 12 mm
8	100 315 016	4	Nut M12
9	128 010 051	1	For CFA 20
9	128 020 051	1	For CFA 40
10	100 306 014	4	Set screw M8 x 15 mm
11	128 010 049	1	For CFA 20
11	128 020 049	1	For CFA 40
12	100 306 014	4	Set screw M8 x 15 mm
13	128 010 040	1	For CFA 20
13	128 020 040	1	For CFA 40
14	100 315 012	2	Nut M8
16	128 010 136	2	26/30 x 33.5 mm for CFA 20
16	128 020 136	2	26/30 x 62 mm for CFA 40
17	100 322 005	1	Stop screw M10 x 15 mm
18	128 000 022	1	Chain wheel with stop screw fig. 17
19	128 010 055	1	For CFA 20
19	128 020 055	1	For CFA 40
Cpl.	128 010 087	1	Repair kit for CFA 20. Fig 20 - 24
Cpl.	128 020 087	1	Repair kit for CFA 40. Fig 20 - 24
Cpl.	128 000 030	1	Straight chain link. Fig 25 + 26
Cpl.	128 000 031	1	Cranked chain link. Fig 25 + 26
27	100 322 004	1	Stop screw M10 x 10 mm
28	128 000 023	1	Chain wheel with stop screw fig. 27
30	128 010 138	1	26/30 x 45 mm for CFA 20
30	128 020 138	1	26/30 x 76.5 mm for CFA 40
32	128 010 137	1	26/30 x 24 mm for CFA 20
32	128 020 137	1	26/30 x 55.5 mm for CFA 40
34	100 401 039	2	YAR 205-2F + PFT 52
35	128 010 057	1	For CFA 20
35	128 020 057	1	For CFA 40
36	100 311 016	4	Coach bolt M8 x 20 mm
37	100 316 003	4	Lock nut M8
38	100 405 015	1	Key 8 x 7 x 36 mm
39	128 010 230	1	For CFA 20
39	128 020 166	1	For CFA 40
50	128 010 000		0.165 m for CFA 20. Fig. 50 + 54 + 55
50	128 020 000		0.165 m for CFA 40. Fig. 50 + 54 + 55
51	128 010 009		0.33 m for CFA 20. Fig. 51 + 54 + 55
51	128 020 009		0.33 m for CFA 40. Fig. 51 + 54 + 55
52	128 010 015		1 m for CFA 20. Fig. 52 + 54 + 55
52	128 020 015		1 m for CFA 40. Fig. 52 + 54 + 55
53	128 010 021		2 m for CFA 20. Fig. 53 + 54 + 55
53	128 020 021		2 m for CFA 40. Fig. 53 + 54 + 55
54	100 306 015		Set screw M8 x 20 mm
55	100 315 012		Nut M8
56	128 010 027		2 m for CFA 20. Fig. 54 - 58
56	128 020 027		2 m for CFA 40. Fig. 54 - 58
57	128 010 032		For CFA 20. Fig. 57 - 58
57	128 020 032		For CFA 40. Fig. 57 - 58
58	100 304 011		Set screw M8 x 15 mm

CFA 20/40 & FLA 10/20

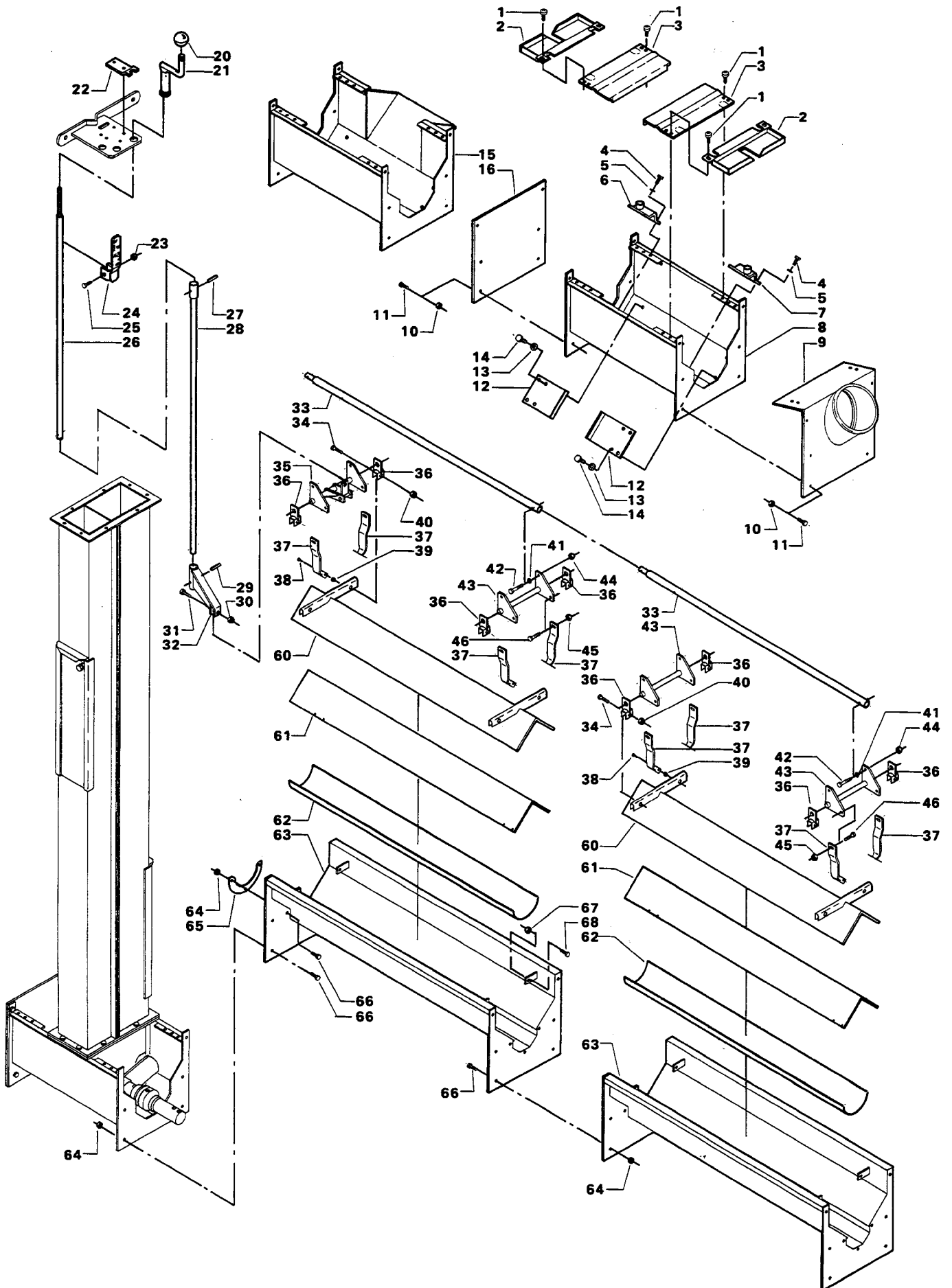
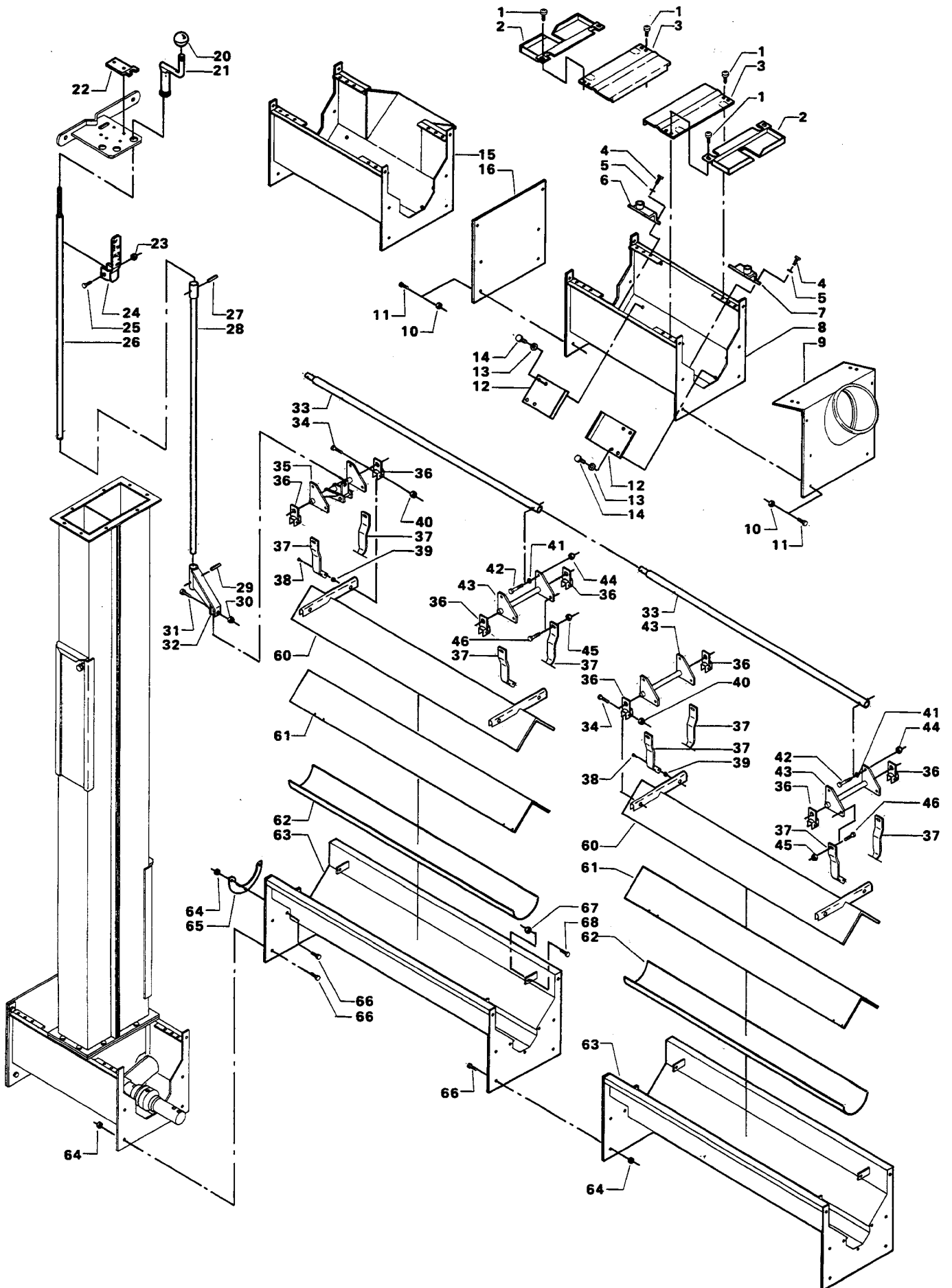


Fig.	Part no.	Pieces	Notes
1	100 321 014	8	Posi-drive screw M6 x 12 mm
2	128 000 102	2	
3	128 000 101	2	
4	100 306 014	4	Set screw M8 x 16 mm
5	100 332 003	4	Star washer M8
6	124 100 049	1	
7	124 100 048	1	
8	128 000 089	1	
9	128 000 126	1	
10	100 315 028	12	Nut M12
11	100 323 041	12	Set screw M6 x 15 mm
12	128 000 099	2	
13	100 332 003	4	Star washer M8
14	100 306 014	4	Set screw M8 x 16 mm
15	128 000 090	1	
16	128 000 130	2	
20	100 323 048	1	
Cpl:	124 100 171	1	Fig. 21 + 26
22	124 100 061	1	
23	100 316 003	1	Lock nut M8
24	124 100 104	1	
25	100 308 033	1	Set screw M8 x 40 mm
27	100 333 018		Slotted spring pin 6 x 32 mm
Cpl:	124 100 190		Fig. 27 + 28
29	100 333 018	1	Slotted spring pin 6 x 32 mm
30	100 316 004	1	Lock nut M10
31	100 306 031	1	Bolt M10 x 35 mm
32	124 100 175	1	
33	124 100 185		0.5 m
33	124 100 186		1.0 m
33	124 100 187		1.5 m
33	124 100 188		2.0 m
34	100 306 017		Bolt M8 x 30 mm
35	124 100 164	1	
36	124 100 182		
37	124 110 114		For FLA 10
37	124 120 096		For FLA 20
38	100 321 013		Posi-drive screw M6 x 10 mm
39	100 316 002		Lock nut M6
40	100 316 003		Lock nut M8
41	100 331 005		Flat washer M8
42	100 306 020		Bolt M8 x 45 mm
43	124 100 181		
44	100 316 003		Lock nut M8
45	100 316 003		Lock nut M8
46	100 306 017		Bolt M8 x 30 mm
60	124 110 025		0.5 m for FLA 10
60	124 120 025		0.5 m for FLA 20
60	124 110 026		1.0 m for FLA 10
60	124 120 026		1.0 m for FLA 20
60	124 110 027		1.25 m for FLA 10
60	124 120 027		1.25 m for FLA 20
60	124 110 028		2.0 m for FLA 10
60	124 120 028		2.0 m for FLA 20
61	124 110 110		0.5 m for FLA 10
61	124 120 098		0.5 m for FLA 20
61	124 110 111		1.0 m for FLA 10
61	124 120 099		1.0 m for FLA 20
61	124 110 112		1.25 m for FLA 10
61	124 120 100		1.25 m for FLA 20
61	124 110 113		2.0 m for FLA 10
61	124 120 101		2.0 m for FLA 20
62	124 110 000		90 mm x 0.5 m for FLA 10
62	124 120 000		135 mm x 0.5 m for FLA 20
62	124 110 001		90 mm x 1.0 m for FLA 10
62	124 120 001		135 mm x 1.0 m for FLA 20
62	124 110 002		90 mm x 1.25 m for FLA 10
62	124 120 002		135 mm x 1.25 m for FLA 20
62	124 110 003		90 mm x 2.0 m for FLA 10
62	124 120 003		135 mm x 2.0 m for FLA 20
63	124 110 021		0.5 m for FLA 10
63	124 120 021		0.5 m for FLA 20
63	124 110 022		1.0 m for FLA 10
63	124 120 022		1.0 m for FLA 20
63	124 110 023		1.25 m for FLA 10

CFA 20/40 & FLA 10/20



CFA 20/40 & FLA 10/20

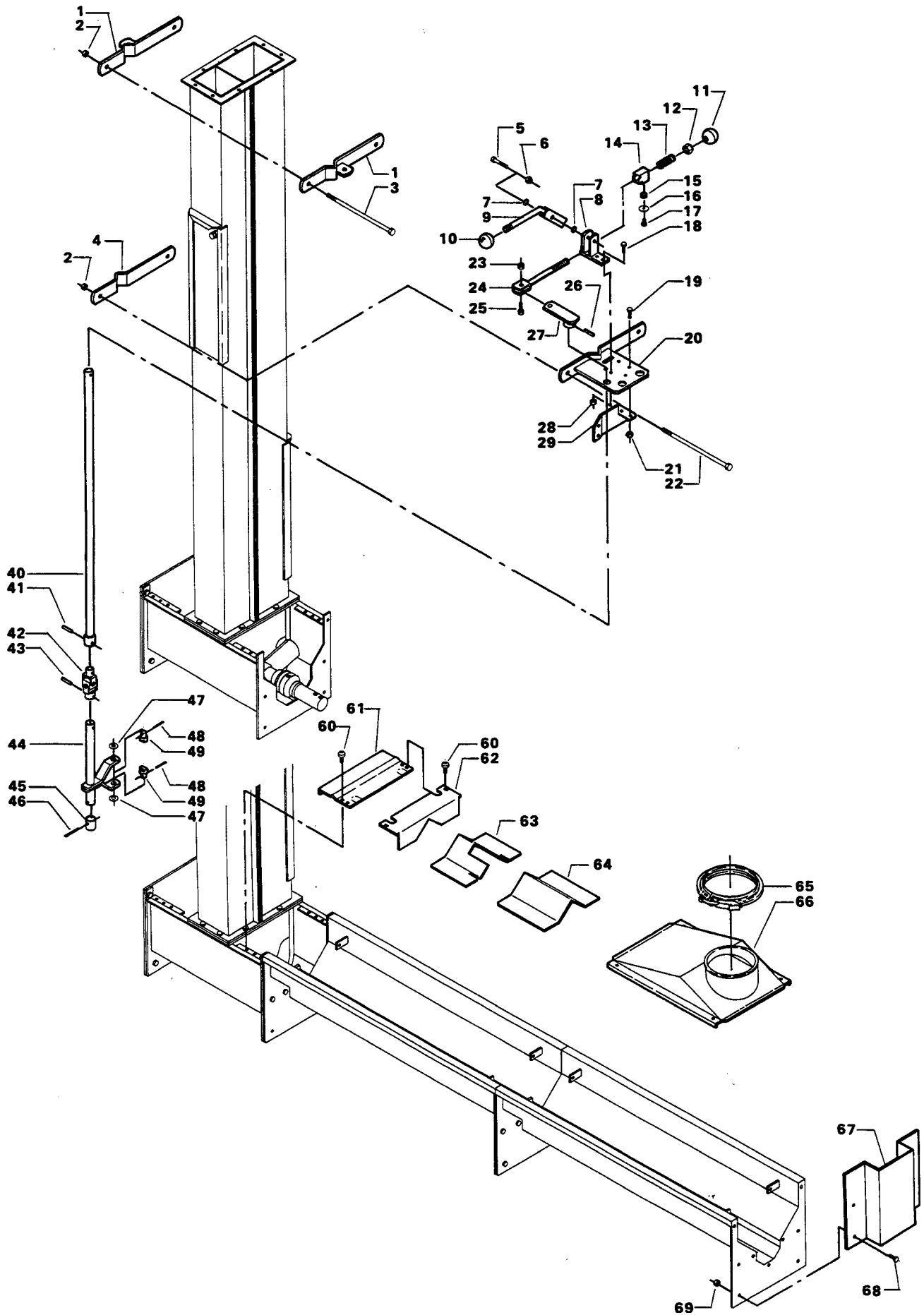
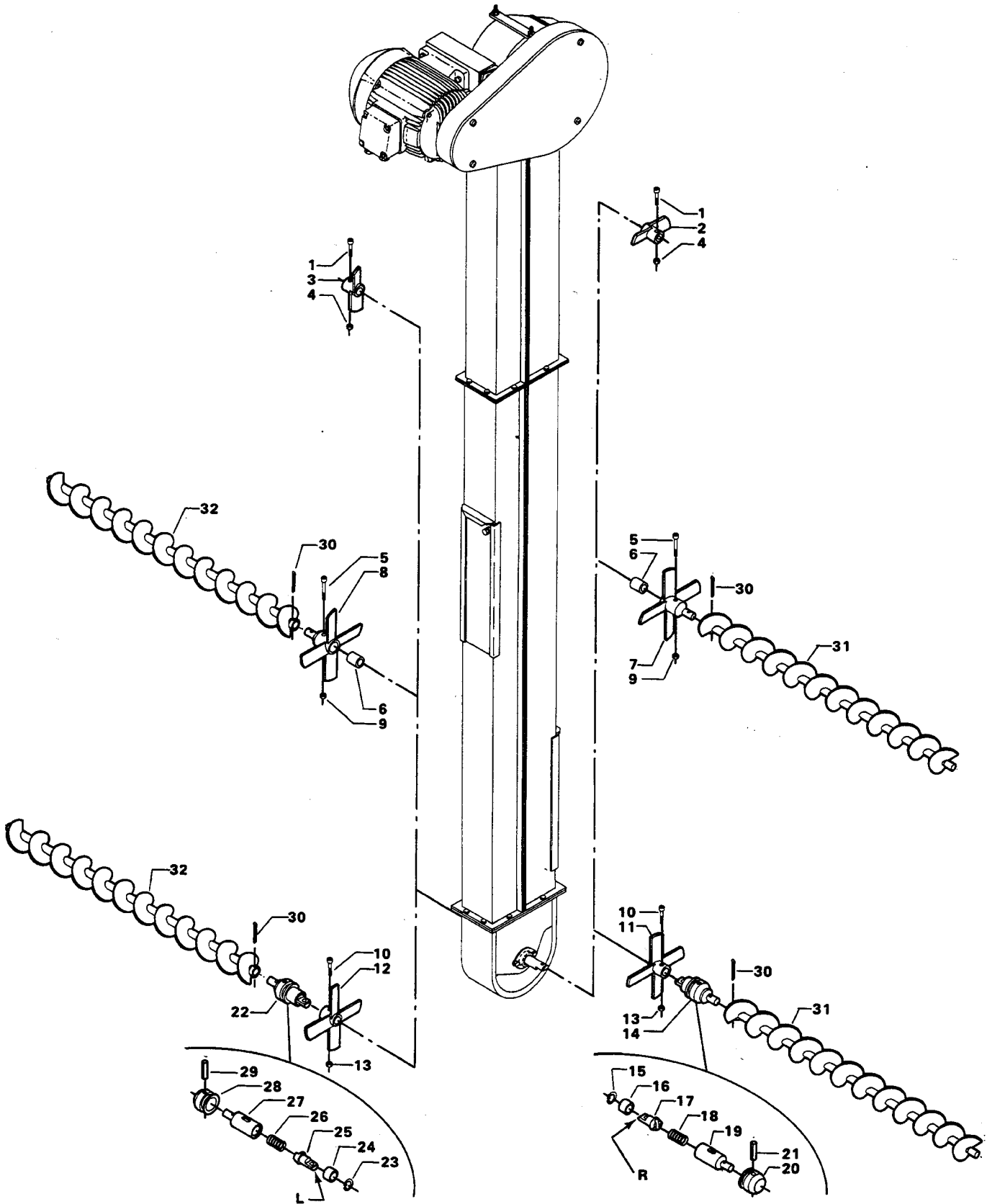


Fig.	Part no.	Pieces	Notes
1 3 3 4 5	128 000 109 100 302 049 100 302 034 128 000 107 100 306 034		Bolt with nut, M12 x 160 mm, for CFA 20. fig 2 + 3 Bolt with nut, M12 x 240 mm, for CFA 40. fig 2 + 3 Bolt M10 x 50 mm
6 7 8 Cpl: 10	100 316 004 100 331 006 124 100 119 124 100 134 100 323 048		Lock nut M10 Flat washer M10 Fig 9 + 10
11 12 13 14 15	100 323 048 100 316 005 124 100 130 124 100 211 124 100 208		Lock nut M12
16 17 18 19 20	100 331 033 100 323 041 100 304 012 100 304 012 128 000 104		Flat washer 1/4" / 31.5 mm Set screw M6 x 16 mm Set screw M8 x 20 mm Set screw M8 x 20 mm
21 22 22 23 24	100 315 012 100 302 049 100 302 034 100 316 004 124 100 122		Nut M12 Bolt with nut, M12 x 160 mm, for CFA 20. fig 22 + 2 Bolt with nut, M12 x 240 mm, for CFA 40. fig 22 + 2 Lock nut M10
25 26 27 28 29	100 306 030 100 333 018 124 100 132 100 316 003 128 000 108		Bolt M10 x 30 mm Slotted spring pin 6 x 32 mm Lock nut M8
Cpl: 41 Cpl: 43 44	124 100 034 100 333 018 124 100 150 100 333 018 124 100 146		Fig. 40 + 41 Slotted spring pin 6 x 32 mm Fig. 42 + 43 Slotted spring pin 6 x 32 mm
45 46 47 48 49	124 100 070 100 333 005 100 331 008 100 333 002 124 100 210		Split pin 6 x 40 mm Flat washer M16 Split pin 3 x 30 mm
60 61 62 62 63	100 321 014 128 000 101 124 110 123 124 120 119 1224 110 124		Posi-drive screw M6 x 12 mm For FLA 10 For FLA 20 For FLA 10
63 64 64 65 66	124 120 115 124 110 125 124 120 116 122 000 800 124 100 030		For FLA 20 For FLA 10 For FLA 20 OK160
67 67 68 69	124 110 116 124 100 101 100 323 041 100 315 028		For FLA 10 For FLA 20 Set screw M6 x 16 mm Nut M6

FLA 10



FLA 20

