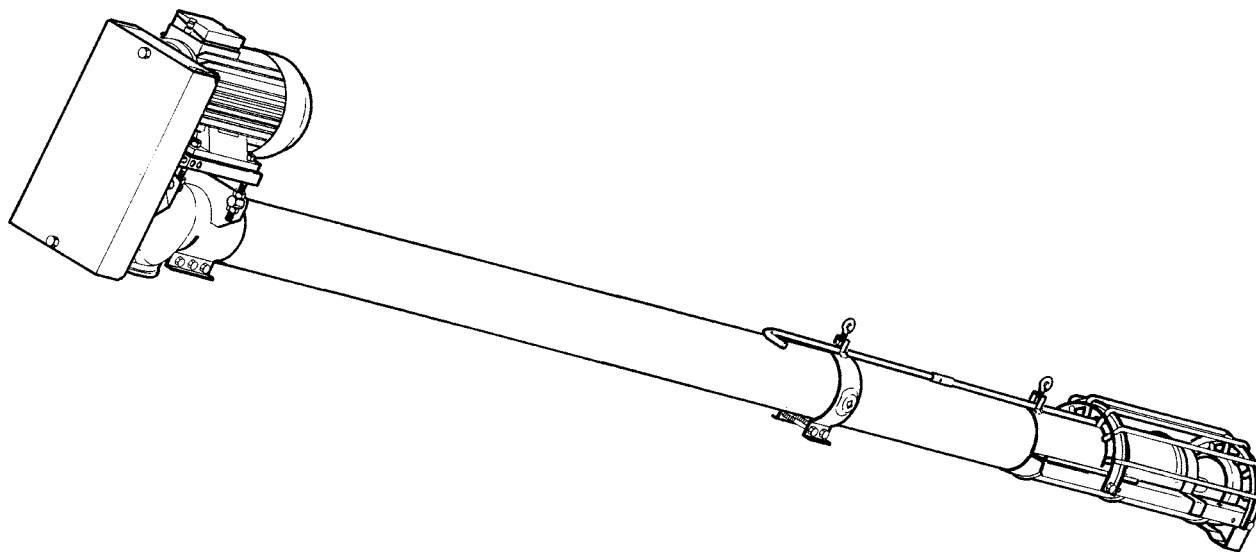


# **DGA 102/127/152**

## Grain augers



Spare parts list

# DGA 102

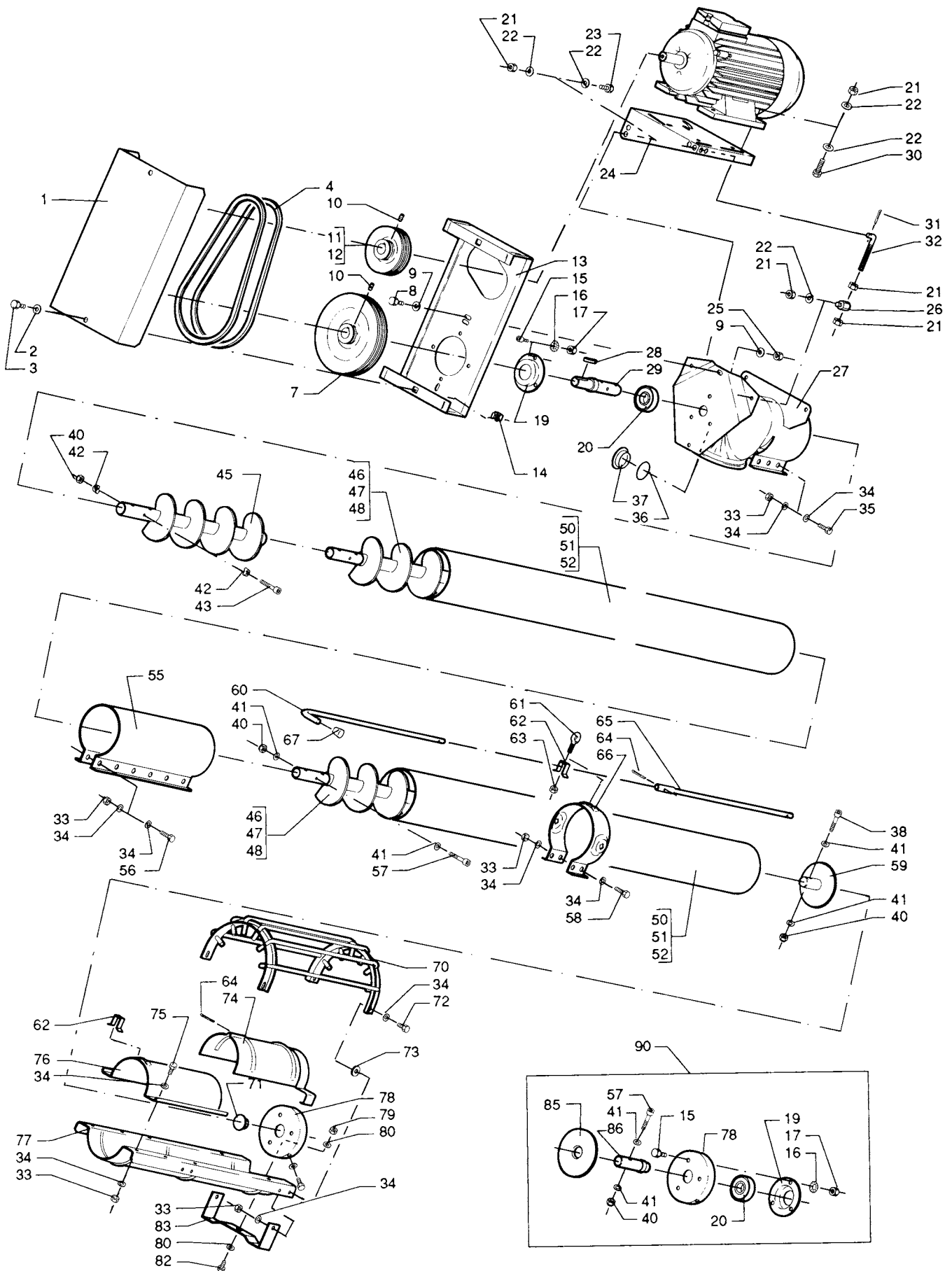


Fig.	Part no.	Pieces	Notes
1	171 001 409	1	
2	100 331 005	2	Flat washer M8
3	100 306 014	2	Set screw M8 x 15 mm
4	100 403 102	2	V-belt SPZ 825
7	170 030 320	1	V-belt pulley SPZ 140 with 2 grooves
8	100 306 001	2	Set screw M6 x 20 mm
9	100 331 004	4	Flat washer M6
10	100 322 023	2	Stop screw M8 x 8 mm
11	170 030 251	1	V-belt pulley SPZ 100 with 2 grooves, bore ø24 mm
12	170 030 252	1	V-belt pulley SPZ 100 with 2 grooves, bore ø28 mm
13	171 001 408	1	
14	100 323 303	2	
15	100 309 000	6	Hex-socket cap screw M6 x 16 mm
16	100 332 018	6	Star washer M6
17	100 315 028	6	Nut M6
19	171 001 303	2	
20	100 401 006	2	Ball bearing # 6304 - 2RS1
21	100 315 013		Nut M10
22	100 331 006		Flat washer M10
23	100 308 004	2	Set screw M10 x 20 mm
24	171 001 301	1	
25	100 315 028		Nut M6
26	170 022 100	2	
27	171 002 104	1	
28	100 405 027	1	Key 6 x 6 x 35 mm
29	171 001 406	1	
30	100 306 030	4	Set screw M10 x 30 mm
31	100 333 076	2	Split pin ø3.2 x 25 mm
32	170 022 101	2	
33	100 315 012		Nut M8
34	100 331 005		Flat washer M8
35	100 306 017	3	Set screw M8 x 30 mm
36	100 413 141	1	O-ring ø40,2 x 3 mm
37	100 414 045	1	Plastic plug K33 ø46
38	100 309 002	1	Hex-socket cap screw M6 x 35 mm
40	100 316 002		Lock nut M6
41	100 331 004		Flat washer M6
42	100 331 073	4	Dished washer M6
43	100 309 003	2	Hex-socket cap screw M6 x 40 mm
45	171 002 154	1	565 mm flight
46	171 002 156		1 m flight
47	171 002 158		2 m flight
48	171 002 160		3 m flight
50	171 002 311		1 m pipe
51	171 002 312		2 m pipe
52	171 002 313		3 m pipe
Cpl:	171 002 210		Complete incl. items 33 + 34 +55 + 56
56	100 308 034	4	Set screw M8 x 45 mm
57	100 309 002		Hex-socket cap screw M6 x 35 mm
58	100 308 033	2	Set screw M8 x 40 mm
59	171 002 127	1	
60	171 002 346	1	
61	100 323 301	1	Ring bolt M8 x 30 mm
62	171 002 349	2	
63	100 315 012	1	Nut M8
64	100 333 009	2	Split pin ø4 x 36 mm
65	171 002 352	1	
66	171 021 395	1	
67	100 414 041	1	Plastic plug DPC 12
70	171 002 131	1	
71	100 414 043	1	Plastic plug K241
72	100 306 017	4	Set screw M8 x 30 mm
73	171 002 357	4	
74	171 002 110	1	
75	100 306 014	6	Set screw M8 x 15 mm
76	171 002 341	1	
77	171 002 340	1	
78	171 002 348	1	
79	100 315 028	3	Nut M6
80	100 331 004	6	Flat washer M6
82	100 308 018	3	Set screw M6 x 12 mm
83	171 002 343	1	
85	171 002 515	1	
86	171 021 433	1	
90	171 021 112	1	Cpl. No.

# DGA 127

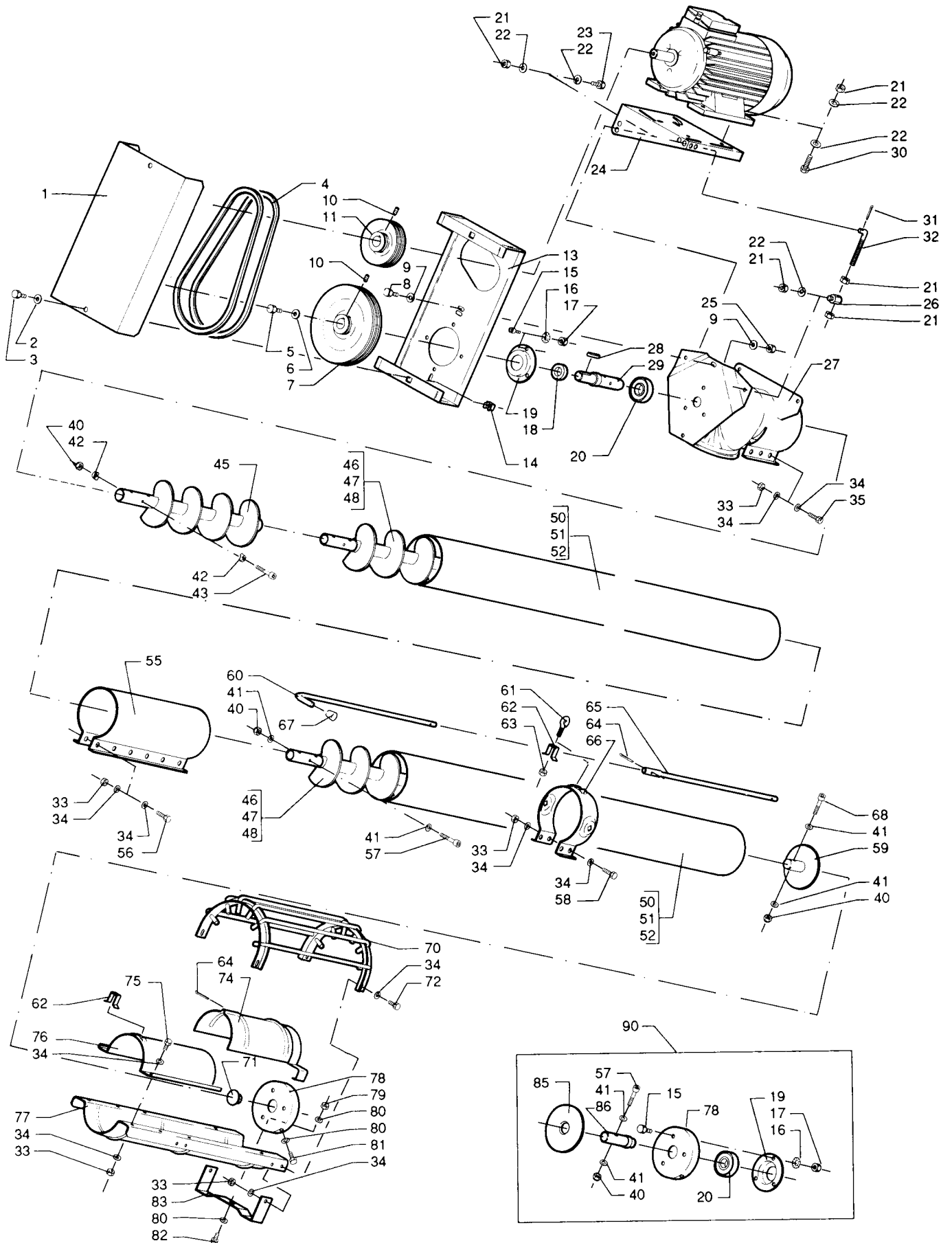


Fig.	Part no.	Pieces	Notes
1	171 003 347	1	
2	100 331 005	2	Flat washer M8
3	100 306 014	2	Set screw M8 x 15 mm
4	100 403 105	2	V-belt SPZ 900
5	100 306 015	1	Steel set screw M8 x 20 mm
6	100 331 076	1	Flat washer ø30/8.5 x 1.25 mm
7	170 030 354	1	V-belt pulley SPZ 180 with 2 grooves
8	100 306 001	2	Set screw M6 x 20 mm
9	100 331 004	4	Flat washer M6
10	100 322 023	2	Stop screw M8 x 8 mm
11	170 030 252	1	V-belt pulley SPZ 100 with 2 grooves, bore ø28 mm
13	171 003 413	1	
14	100 323 303	2	
15	100 309 004	6	Hex-socket cap screw M8 x 16 mm
16	100 332 019	6	Star washer M8
17	100 315 012	6	Nut M8
18	171 003 416	1	
19	171 003 301	2	
20	100 401 063	2	Ball bearing # 6305 - 2RS1
21	100 315 013		Nut M10
22	100 331 006		Flat washer M10
23	100 308 004	2	Set screw M10 x 20 mm
24	171 001 301	1	
25	100 315 028	2	Nut M6
26	170 022 100	2	
27	171 003 104	1	
28	100 405 000	1	Key 8 x 7 x 35 mm
29	171 003 415	1	
30	100 306 030	4	Set screw M10 x 30 mm
31	100 333 076	2	Split pin ø3.2 x 25 mm
32	170 022 101	2	
33	100 315 012		Nut M8
34	100 331 005		Flat washer M8
35	100 308 032	3	Set screw M8 x 35 mm
40	100 316 003		Lock nut M8
41	100 331 005		Flat washer M8
42	100 331 074	4	Dished washer M8
43	100 309 009	2	Hex-socket cap screw M8 x 55 mm
45	171 003 126	1	565 mm flight
46	171 003 156		1 m flight
47	171 003 158		2 m flight
48	171 003 160		3 m flight
50	171 003 311		1 m pipe
51	171 003 312		2 m pipe
52	171 003 313		3 m pipe
Cpl:	171 003 210		Complete incl. items 33 + 34 +55 + 56
56	100 308 034	6	Set screw M8 x 45 mm
57	100 309 007		Hex-socket cap screw M8 x 45 mm
58	100 308 032	2	Set screw M8 x 35 mm
59	171 003 125	1	
60	171 002 346	1	
61	100 323 301	1	Ring bolt M8 x 30 mm
62	171 002 349	2	
63	100 315 012	1	Nut M8
64	100 333 009	2	Split pin ø4 x 36 mm
65	171 002 352	1	
66	171 021 398	1	
67	100 414 041	1	Plastic plug DPC 12
68	100 309 007	1	Hex-socket cap screw M8 x 45 mm
70	171 002 131	1	
71	100 414 044	1	Plastic plug K28
72	100 306 015	4	Set screw M8 x 20 mm
74	171 003 124	1	
75	100 306 014	6	Set screw M8 x 16 mm
76	171 003 405	1	
77	171 003 404	1	
78	171 003 408	1	
79	100 315 012	3	Steel nut M8
80	100 331 005	6	Flat washer M8
81	100 306 014	2	Set screw M8 x 16 mm
82	100 306 015	1	Set screw M8 x 20 mm
83	171 003 406	1	
85	171 021 434	1	
86	171 003 418	1	
90	171 003 109	1	Cpl. No.

# DGA 152

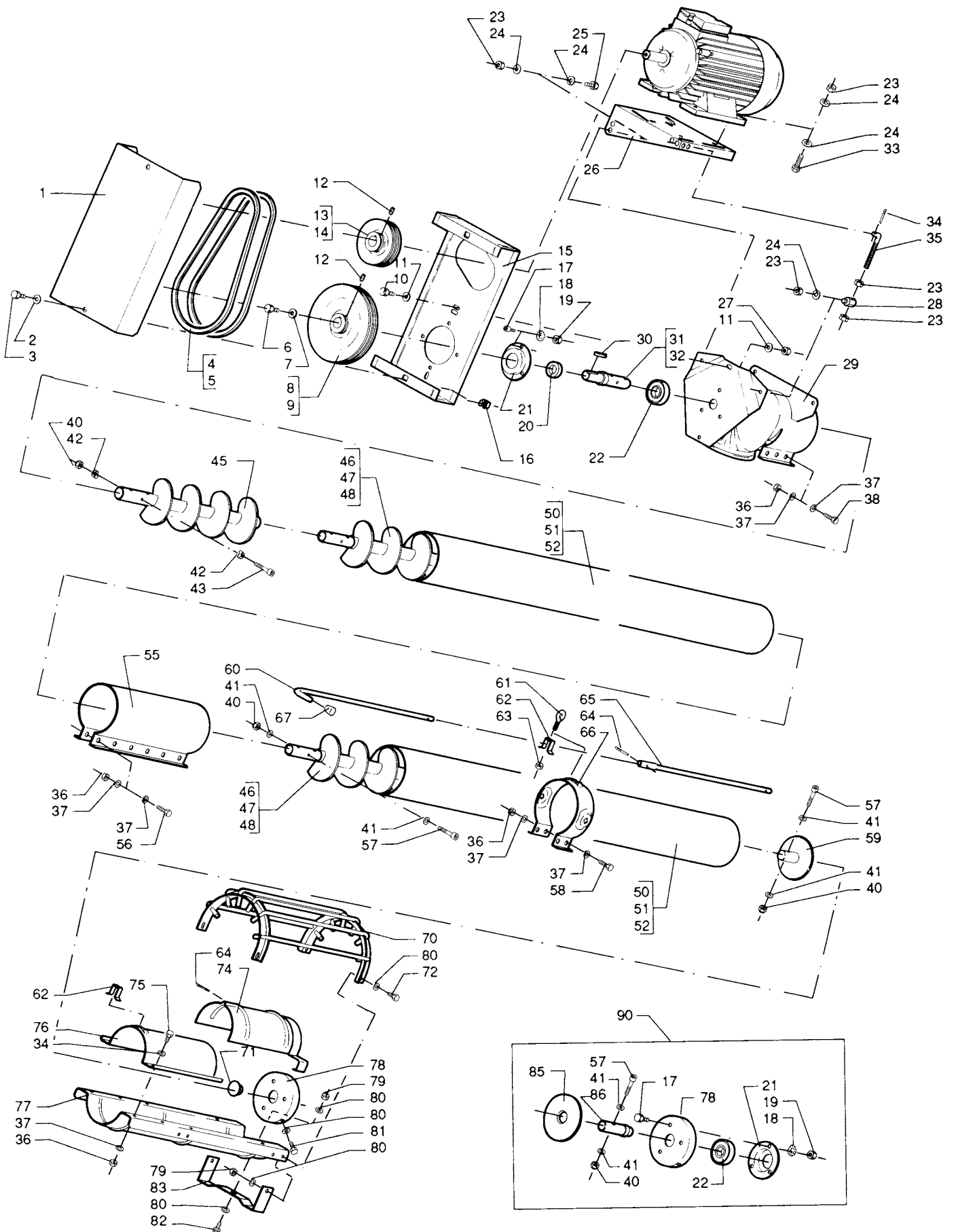


Fig.	Part no.	Pieces	Notes
1	171 004 340	1	
2	100 331 005	2	Flat washer M8
3	100 306 014	2	Set screw M8 x 15 mm
4	100 403 107	2	V-belt SPZ 1000
5	100 403 108	3	V-belt SPZ 1060REX
6	100 306 015	1	Set screw M8 x 20 mm
7	100 331 076	1	Flat washer ø30/8 mm
8	170 030 364	1	V-belt pulley SPZ 200 with 2 grooves
9	170 030 374	1	V-belt pulley SPZ 200 with 3 grooves
10	100 323 041	2	Set screw M6 x 16 mm
11	100 331 004	4	Flat washer M6
12	100 322 023	2	Stop screw M8 x 8 mm
13	170 030 252	1	V-belt pulley SPZ 100 with 2 grooves, bore ø28 mm
14	170 030 262	1	V-belt pulley SPZ 100 with 3 grooves, bore ø38 mm
15	171 004 420	1	
16	100 323 303	2	
17	100 309 004	6	Hex-socket cap screw M8 x 16 mm
18	100 332 019	6	Star washer M8
19	100 315 012	6	Nut M8
20	171 003 416	1	
21	171 003 301	2	
22	100 401 063	2	Ball bearing # 6305 - 2RS1
23	100 315 013		Nut M10
24	100 331 006		Flat washer M10
25	100 308 004	2	Set screw M10 x 20 mm
26	171 004 301	1	
27	100 315 028	2	Nut M6
28	170 022 100	2	
29	171 004 104	1	
30	100 405 000	1	Key 8 x 7 x 35 mm
31	171 003 415	1	Shaft for 2 grooves pulley
32	171 003 417	1	Shaft for 3 grooves pulley
33	100 306 030	4	Bolt M10 x 30 mm
34	100 333 076	2	Split pin ø3.2 x 25 mm
35	170 022 101	2	
36	100 315 013		Nut M10
37	100 331 006		Flat washer M10
38	100 306 030	4	Set screw M10 x 30 mm
40	100 316 003		Lock nut M8
41	100 331 005		Flat washer M8
42	100 331 074	4	Dished washer M8
43	100 309 009	2	Hex-socket cap screw M8 x 55 mm
45	171 004 424	1	565 mm flight
46	171 004 421		1 m flight
47	171 004 422		2 m flight
48	171 004 423		3 m flight
50	171 004 311		1 m pipe
51	171 004 312		2 m pipe
52	171 004 313		3 m pipe
Cpl:	171 004 210		Complete incl. items 36 + 37 +55 + 56
56	100 308 037	6	Set screw M10 x 40 mm
57	100 309 007		Hex-socket cap screw M8 x 45 mm
58	100 306 030	2	Set screw M10 x 30 mm
59	171 004 125	1	
60	171 002 346	1	
61	100 323 301	1	Ring bolt M8 x 30 mm
62	171 002 349	2	
63	100 315 012	1	Nut M8
64	100 333 009	2	Split pin ø4 x 36 mm
65	171 002 352	1	
66	171 021 399	1	
67	100 414 041	1	Plastic plug DPC 12
70	171 004 126	1	
71	100 414 044	1	Plastic plug K28
72	100 306 014	4	Set screw M8 x 15 mm
74	171 004 124	1	
75	100 308 004	6	Steel set screw M10 x 20 mm
76	171 004 405	1	
77	171 004 404	1	
78	171 004 408	1	
79	100 315 012	7	Nut M8
80	100 331 005	14	Flat washer M8
81	100 306 014	2	Set screw M8 x 15 mm
82	100 306 015	1	Set screw M8 x 20 mm
83	171 004 406	1	
85	171 021 432	1	
86	171 003 418	1	
90	171 004 109	1	Cpl. No.

**Kongskilde Industries A/S**

Skælskørvej 64

DK - 4180 Sorø

Tel. +45 72 17 60 00

[mail@kongskilde-industries.com](mailto:mail@kongskilde-industries.com)

[www.kongskilde-industries.com](http://www.kongskilde-industries.com)