

KA 50

Weighers



Spare parts list

KA 50

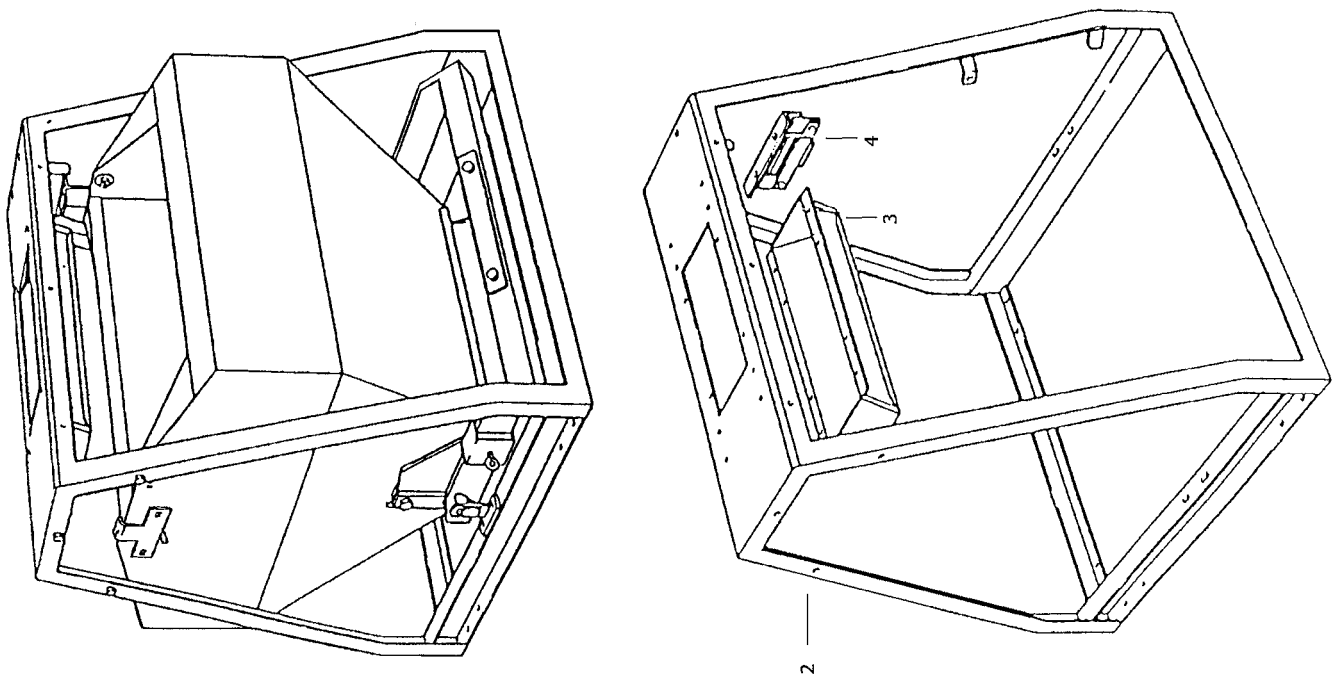
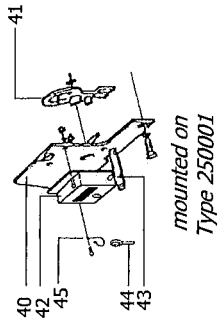
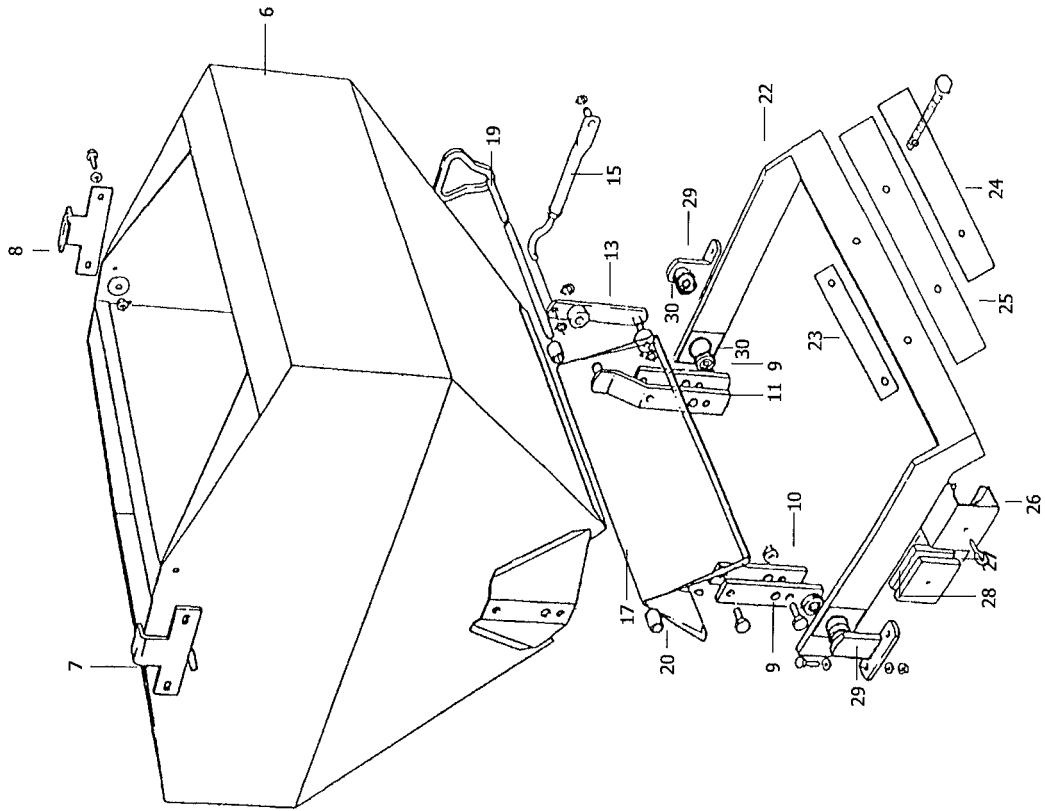


Fig.	Part no.	Pieces	Notes
2	923 201000	1	Frame
3	923 122200	1	Inlet piece
4	923 122700	1	Release plate
6	923 203100	1	Weighing hopper
7	923 123390	1	Facing w/counter driving pin
8	923 123380	1	Release facing
9	923 123215	2	Basket holder
10	923 123225	1	Fitting for basket holder
11	923 123235	1	Fitting with tiltarm pin
13	923 203240	1	Tiltarm with bearing
15	923 203600	1	Tiltarm tension rod
17	923 203400	1	Bottom flap
19	923 203500	1	Shaft for bottom flap
20	923 123530	2	Bushing bottom flap
22	923 204150	1	Weigh beam
23	923 134330	1-3	Regulation balance
24	923 234320	1	Counter balance 5 kg
25	923 234310	1	Counter balance 10 kg
26	923 144510	1	Sliding weight
27	923 144520	1	Insert sliding weight, thread
28	923 124530	1	Insert for sliding weight
29	923 124650	2	Fitting for bearing
30	923 091012	4	Ball bearing
40	923 555700	1	Counter plate
41	923 555200	1	Counter valve
42	923 105420	1	Counter IVO – type small
43	923 555330	1	Counter arm
44	923 105440	1	Key for counter – type small
45	923 105350	1	Key hook

Kongskilde Industries A/S

Skælskørvej 64

DK - 4180 Sorø

Tel. +45 72 17 60 00

mail@kongskilde-industries.com

www.kongskilde-industries.com