

B 100

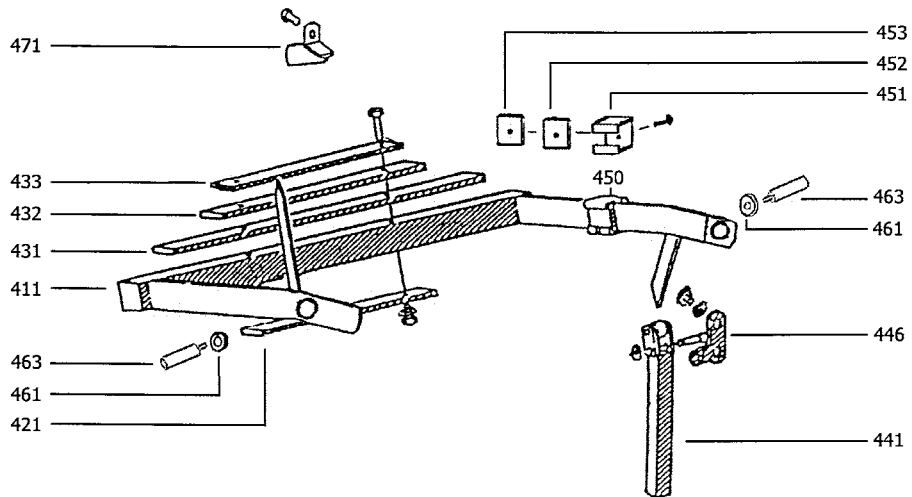
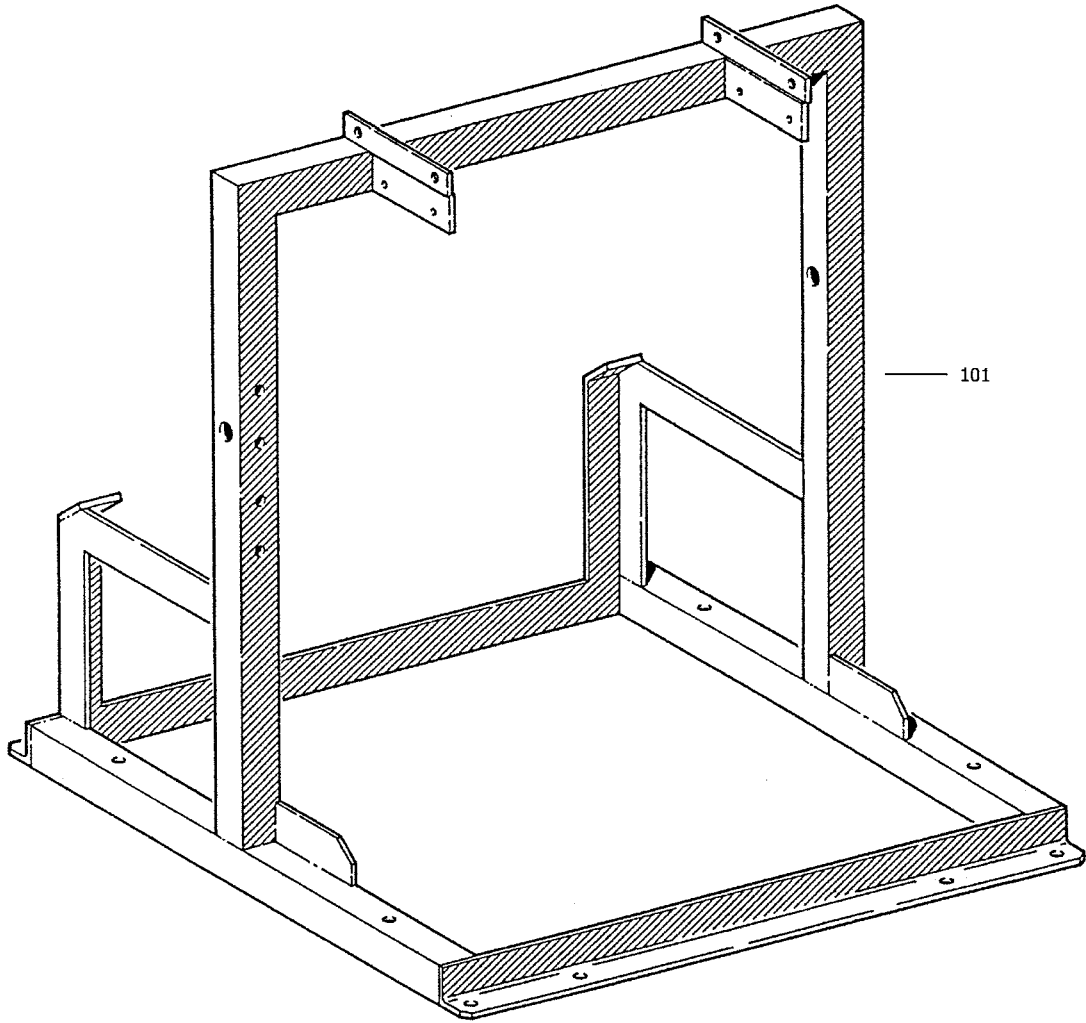
Weighers



Spare parts list

Fig.	Part no.	Pieces	Notes
201	923 402010	1	Toprail
221	923 402210	1	Inlet piece
227	923 432270	2	Brush for closing device 310mm
228	923 402280	1	Brush for closing device 155mm
229	923 402290	1	Brush for closing device 110mm
232	923 105425	1	Counter IVO – type big
233	923 105436	1	Counter arm
234	923 105445	1	Key for counter – type big
236	923 105350	1	Key hook
237	923 435700	1	Counter plate
238	923 432380	1	Counter tension rod
241	923 402410	1	Brake grafe
247	923 402470	1	Protection plate
251	923 402510	1	Closer
255	923 432550	1	Closing shaft, long
256	923 432560	1	Closing shaft, short
257	923 432570	1	Bushing f shutter steering pivot
261	923 432610	1	Shutter steering pivot
266	923 432660	1	Shutter raise arm
269	923 402690	1	Shutter spring
272	923 402720	1	Shutter raise rod
273	923 430272	1	Hook for raise rod
275	923 432750	1	Shutter tilt arm
278	923 432780	1	Bearing for closing tiltarm
281	923 402810	1	Release arm for closing device
291	923 402910	1	Release stick
292	923 432920	1	Release hook
293	923 432930	1	Coupling for release hook
295	923 432950	1	Spring for release hook
296	923 402960	1	Bearing for release stick
311	923 403110	1	Weighing hopper
328	923 403270	2	Bearing fitting with bearing pin
331	923 433310	2	Threading piece for bottom flap bearing
332	923 433320	2	Bottom flap bearing
341	923 403410	1	Bottom flap
349	923 433490	2	Distance bushing for bottom flap
354	923 403540	1	Sleeve for rubber list
356	923 403560	1	Rubber list for bottom flap side
358	923 403580	1	Bottom flap side
	923 403590	1	Bottom flap side, complete w/ rubber list
361	923 403610	1	Bearing for bottom flap lock
369	923 433700	1	Distance bushing for bottom flap lock
371	923 433710	1	Bottom flap locking pawl
374	923 433749	1	Sheaver for bottom flap locking pawl
375	923 433759	1	Spring for bottom flap locking pawl
381	923 433810	1	Bottom flap lock
385	923 433850	1	Roller for bottom flap lock
386	923 403860	1	Tension rod for bottom flap
388	923 430388	1	Hook for tension rod
389	923 062201	1	Hairpin split
391	923 433910	1	Steering arm for weighing hopper
501	923 435010	1	Closing lock
508	923 435080	1	Bearing pin for closing lock
511	923 435110	1	Tilt arm for closing lock
516	923 405160	1	Tensionrod for closing lock
517	923 143620	1	Hook for tension rod
521	923 435210	1	Bearing for guideway
524	923 435240	1	Guideway for closing lock
531	923 435310	1	Bearing for adjusting screw
534	923 435340	1	Bearing bolt for adjusting screw
535	923 435350	1	Bearing pin for adjusting screw
541	923 435410	1	Arm for adjusting screw
546	923 435460	1	Pin for steering arm
547	923 435470	1	Spring ball lock
548	923 435480	1	Lock ball
551	923 435510	1	Regulationscrew with mark disc
553	923 435530	1	Mark disc for regulationscrew
554	923 435540	1	Hook for release lock
557	923 435570	1	Release lock
560	923 435600	1	Spring for release lock
571	923 435710	1	Stop release for closing device
574	923 433749	1	Disc for stopping lock
575	923 433759	1	Spring for stopping lock

B 100



Kongskilde Industries A/S

Skælskørvej 64

DK - 4180 Sorø

Tel. +45 72 17 60 00

mail@kongskilde-industries.com

www.kongskilde-industries.com